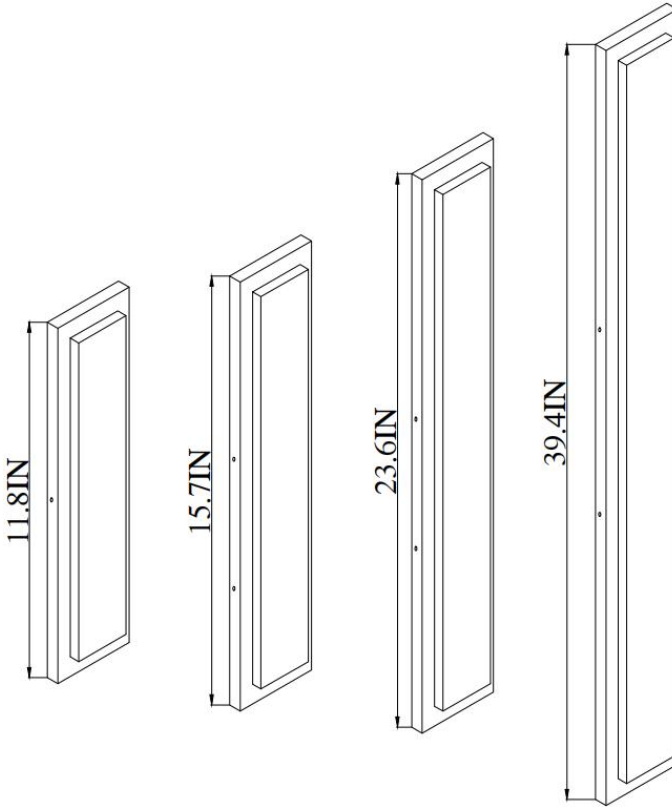


Instruction Manual



Product name: Modern LED outdoor & indoor wall light

Size (inch)	11.8*5.5*1.5	15.7*5.1*1.5	23.6*5.1*1.5	39.4*5.1*1.5
Wattage	9W	12W	24W	36W
Brightness	720LM	960LM	1920LM	2880LM
Color Temp	3000K	3000K	3000K	3000K
CRI	80Ra	80Ra	80Ra	80Ra
Color	Warm White	Warm White	Warm White	Warm White
Anti-Rust	✓	✓	✓	✓
Waterproof	✓	✓	✓	✓

Suitable for outdoor and indoor	Front Door ; Foyer ; Side terrace	Porch; Entryway; Balcony; Stairwells	Hallway; Living room ; Patio; Yard ; Garden	Fireplace; Garage; Swimming pool; Shop
---------------------------------	---	---	--	---

Different sizes correspond to different parameters. Please confirm the size you purchased.

TROUBLE SHOOTING

Problem	Solution
Light Does Not Turn On	<input type="checkbox"/> Check if the power outlet is working and ensure the switch is turned on.
	<input type="checkbox"/> Inspect wiring connections for looseness, rewire, or replace damaged cables.
	<input type="checkbox"/> Test the switch or driver (e.g., LED driver); replace if necessary.
Flickering or Flashing Light	<input type="checkbox"/> Install a voltage stabilizer or contact the power provider to check voltage stability.
	<input type="checkbox"/> Tighten loose wire connectors.
	<input type="checkbox"/> Replace the faulty driver.
Dim Light Output	<input type="checkbox"/> Bulb aging (e.g., incandescent or CFL bulbs).
	<input type="checkbox"/> Severe light decay of LED beads.
	<input type="checkbox"/> Clean the lampshade and light surface.
	<input type="checkbox"/> Check voltage levels; use a stabilizer if needed.
Abnormal Overheating	<input type="checkbox"/> Ensure the fixture is installed in a well-ventilated area.
	<input type="checkbox"/> Avoid prolonged continuous use; install additional cooling devices if necessary.
Water Ingress in Waterproof Fixtures	<input type="checkbox"/> Ensure all components are securely fastened.
	<input type="checkbox"/> Contact us

WARNING

(To reduce the risk of fire, electric shock, or injury to persons):

1. We suggest installation by a licensed electrician.
2. Please read the instruction carefully and save it as you may need it at later time.
3. Before you start, NEVER attempt any work without shutting off the electricity until the work is done. A).

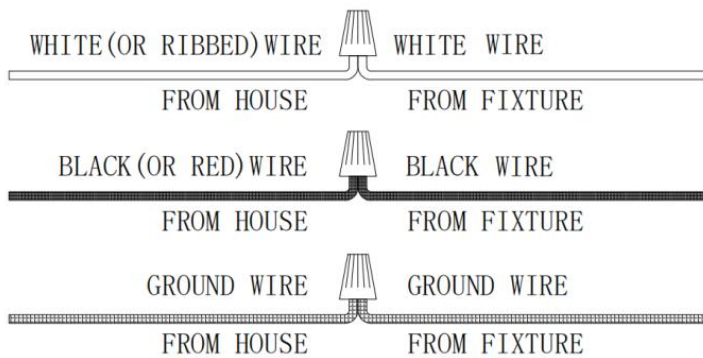
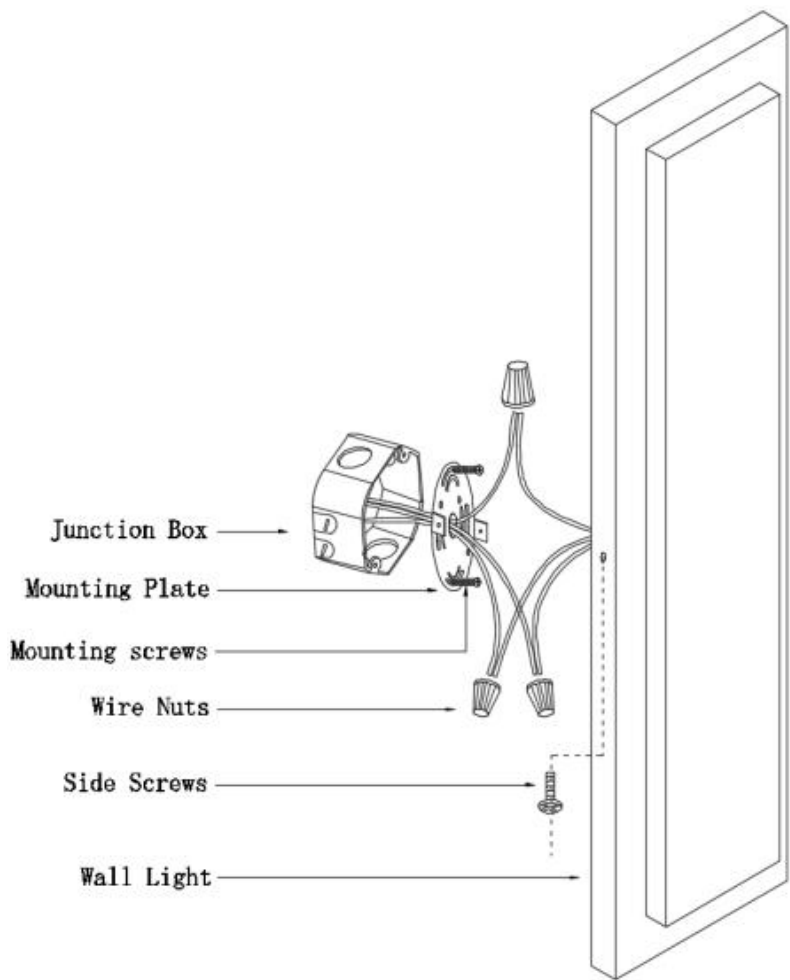
Go to the main fuse, or circuit breaker, box in your home. Place the main power switch in the“OFF”position.B).

Place the wall switch in the“OFF”position.

4. Mounting surface should be clean, dry, flat, strong enough and 1/4” larger than the canopy on all side. Any gaps between the mounting surface and canopy exceeding 3/16” should be corrected as required.
5. Make sure that the ceiling or wall can bear the weight of the lamp before fixture.
6. Make sure the voltage you are using is 120V.
7. Keep the lamp away from acidic objects in case of damaging the surface of the lamp.
8. The safety instructions appearing in this manual are not meant to cover all possible conditions that may occur.

It must be understood that common sense, caution and care must be used with any electrical products.

9. Do not touch the bulb or lamp shade during the lighting fixture working.



Notice

To attach the power wires, connect the wires from the light fixture to those hanging out of the junction box, as shown above. It connects black to black or red, white to white, green to green or copper.

Accessories



Flush Mount
Light Fixture



1*Mounting
Bracket



2*Mounting
Screws



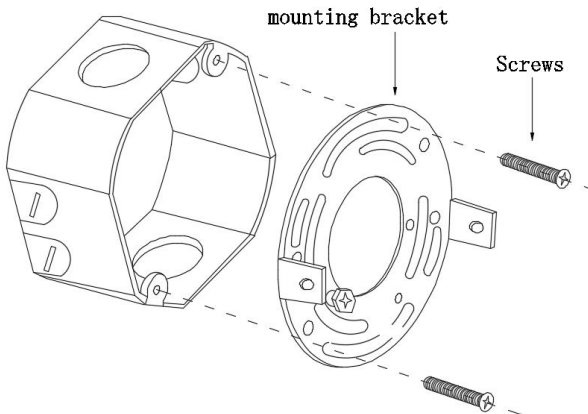
4*Side
Screws



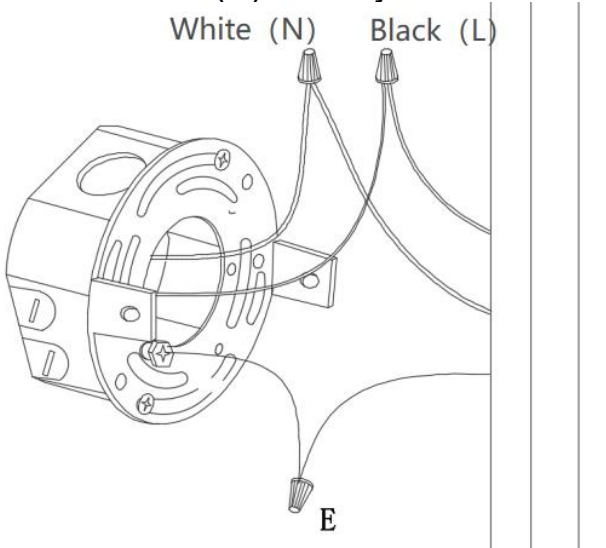
3*Wire Nuts

EASY TO INSTALL

Step1. Lock the mounting bracket tightly on the junction box with mounting screws.

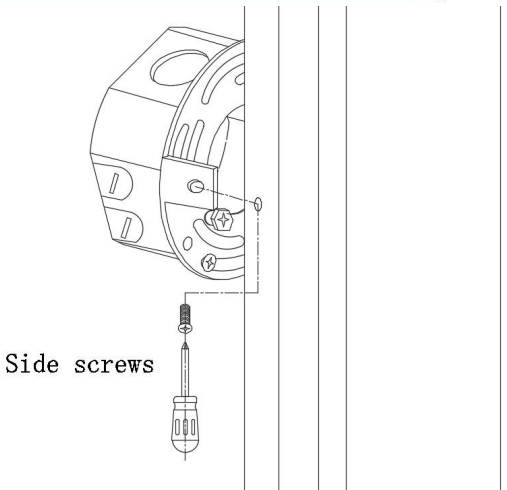


Step2. Connect with live wire (L), neutral wire (N) and earth wire (E) to the junction box.



Step3. Lock the lamp body to the mounting bracket with screws on both sides.

NOTICE: Please use caulk in the back plate and wall mounting surface to prevent water



12 Months Limited Warranty:

- The company according to the promise of after-sales service, product warranty period are 12 months, in the warranty period according to the warranty provisions free replacement parts.
- If the LED light goes out within a year, you can contact us to resend the LED light source for free.
- Our professional customer service team will get back to you within 24 hours.

AFTER - SALES SERVICE

Our team always stands behind our products. Customers' satisfaction is our eternal pursuit.

If the light fixture you receive is damaged, scratched or not working, has missing accessories, is difficult to install, or you simply do not like it, please contact us via Amazon messages. We will do our utmost to ensure your satisfaction.

If you don't know how to find the seller?

Through the order page:

The customer logs into their Amazon account and goes to 'My Orders'.

Find the corresponding order, click the "Contact Seller" button, and communicate with the seller.

(全部页面的底部按顺序标上页数)