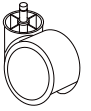
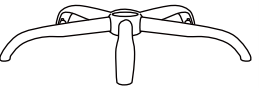
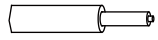
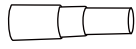
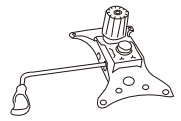
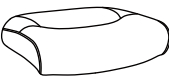
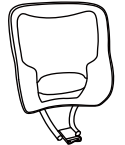
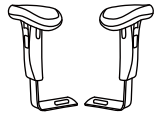
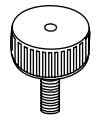





# Office Furniture Distributors

(1) x5	(2) x1	(3) x1	
			
Caster : 5 pcs	5-Star Base : 1 pc	Gas Lift: 1 pc	
(4) x1	(5) x1	(6) x1	
			
Cover : 1 pc	Mechanism : 1 pc	Seat Cushion : 1 pc	
(7) x1	(8) x2	(9) x2	
			
Backrest : 1 pc	Arm Rest : 2 pcs		
<b>Hardware</b>			
A	B	C	
			
Screw : 6 pcs	Screw : 2 pcs	Wrench : 1 pc	

