









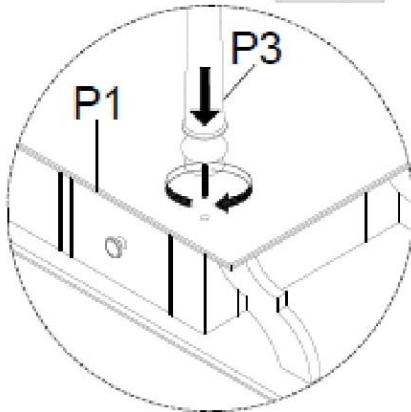
Assembly Instruction

CONSOLE TBL KD

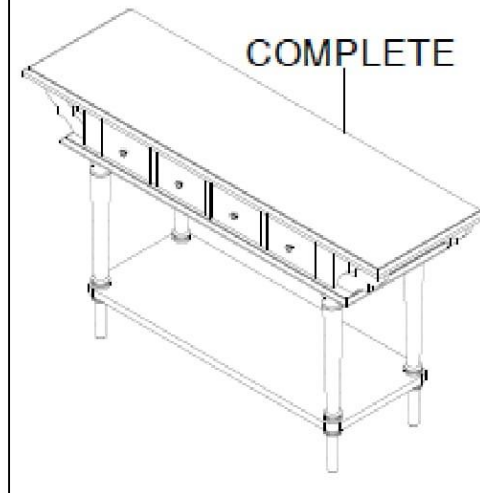
		Hardware list		
A	 Anti-Tipping Restraint Kit		Brackets	2PCS
			Plastic Cable	1PC
			Anchor	1PC
			Srew Ø8x5/8"	1PC
			Srew Ø8x2"	1PC

Part list			
No.	Drawing	Qty.	Description
P1		1	Top
P2		1	Sheft
P3		4	Upper Legs
P4		4	Bottom Legs

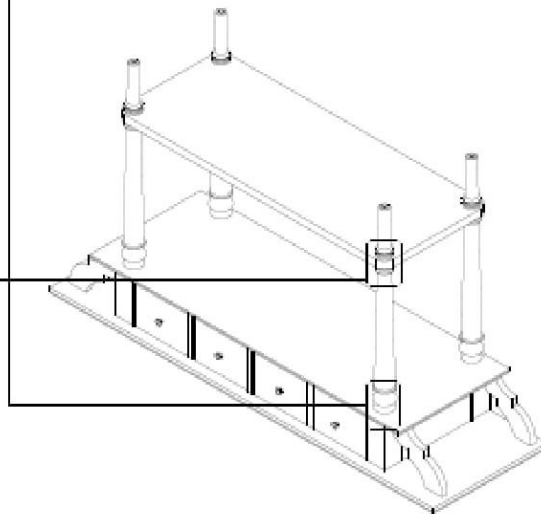
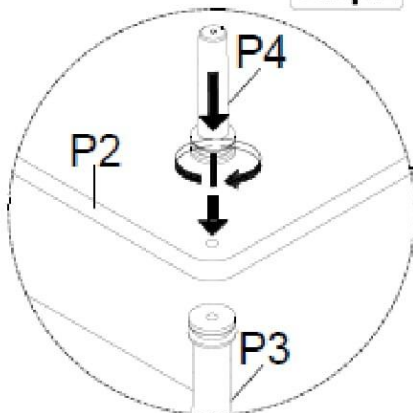
Step 1



COMPLETE



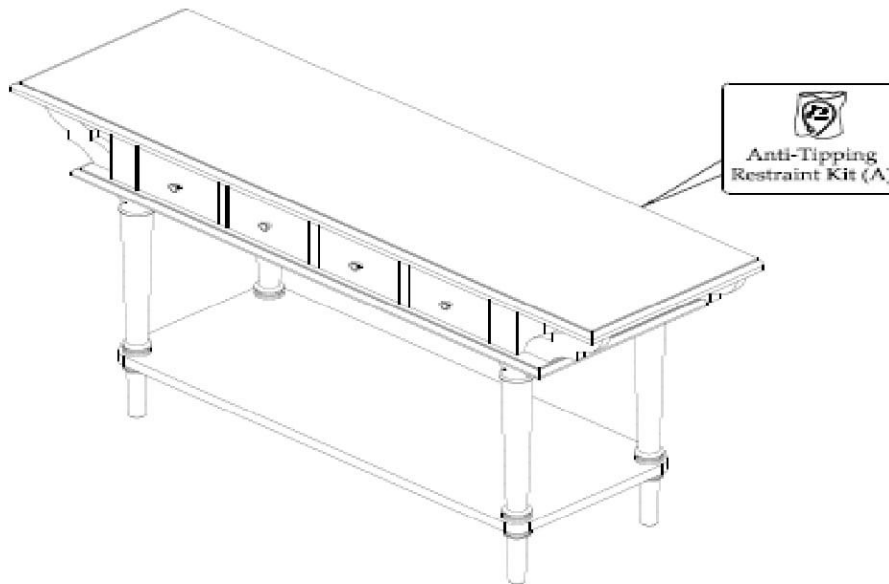
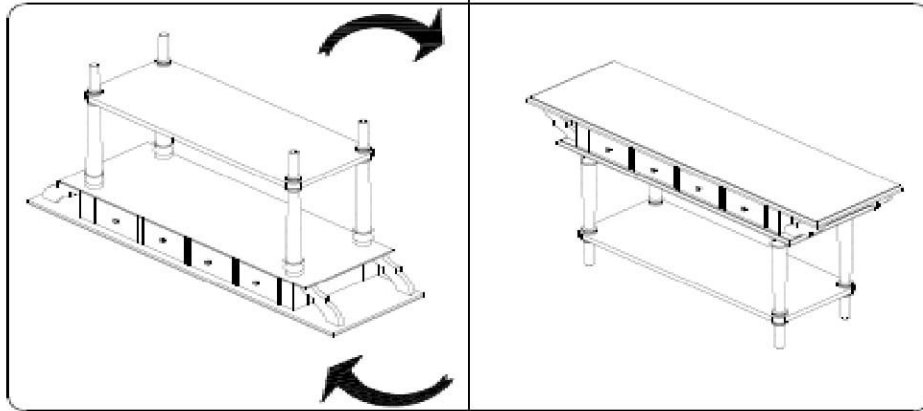
Step 2



MADE IN VIETNAM

Assembly Instruction

Step 3



MADE IN VIETNAM