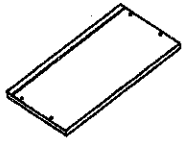


IMPORTANT: DON' T FASTEN BOLTS UNTIL ALL PARTS IN POSITION.

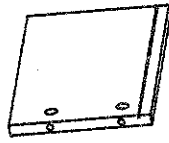
# PART

A



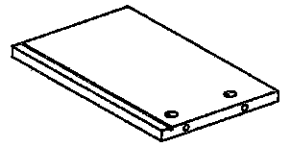
X3

B



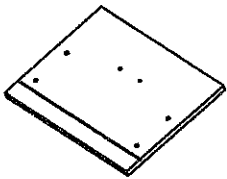
X3

C



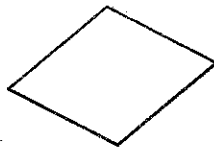
X3

D



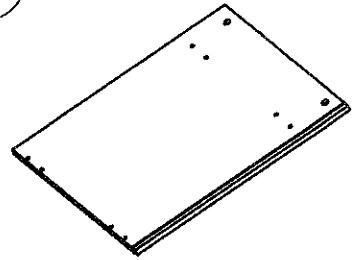
X3

E



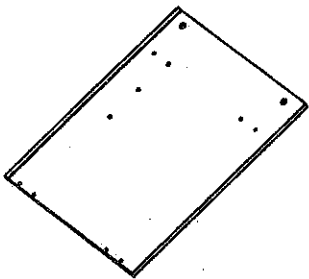
X3

F



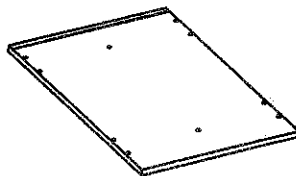
X1

G



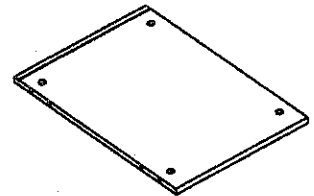
X1

H



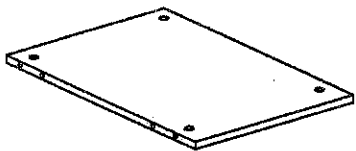
X1

I



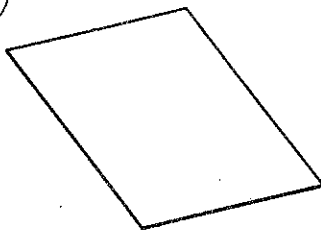
X1

J



X1

K



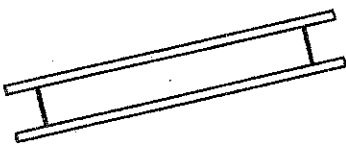
X1

L



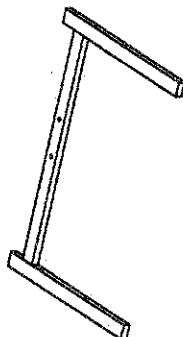
X2

M



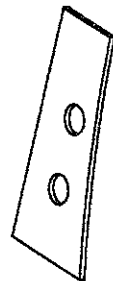
X1

N



X1

O



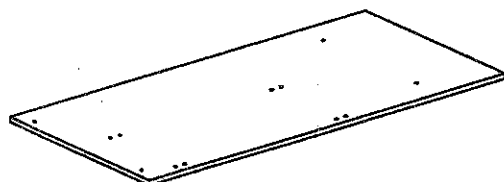
X1

P





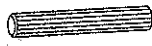

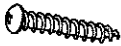
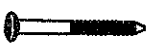










X1

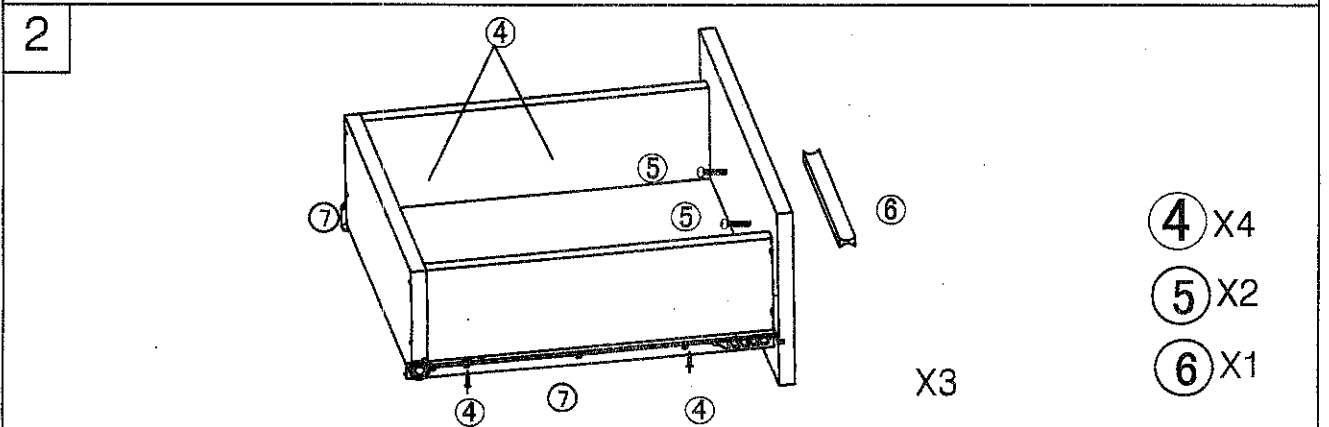
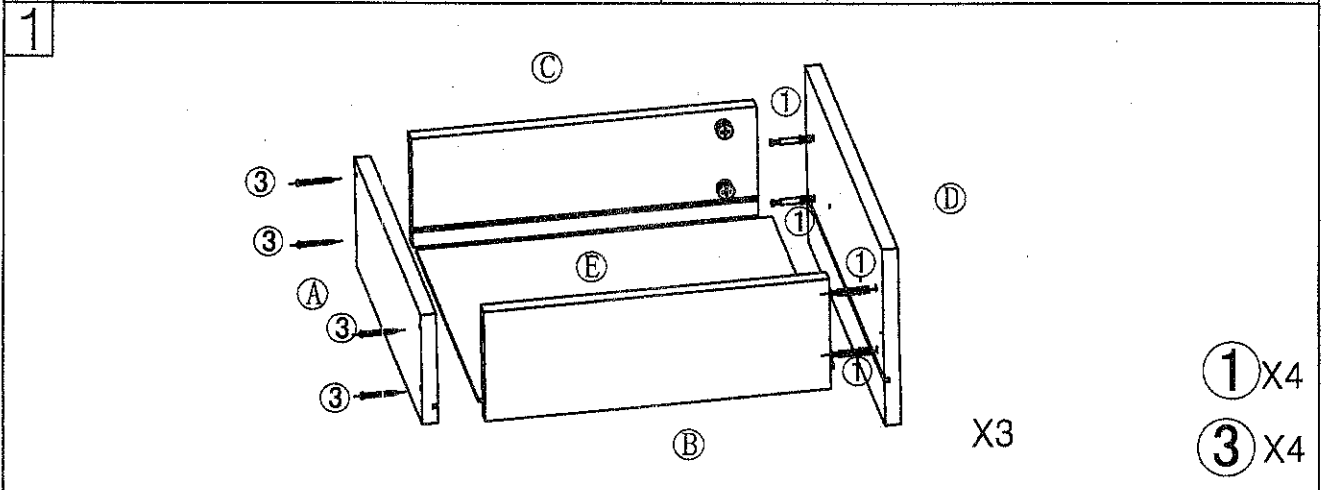
Q



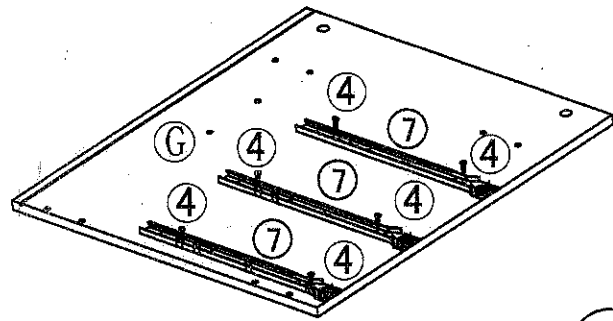
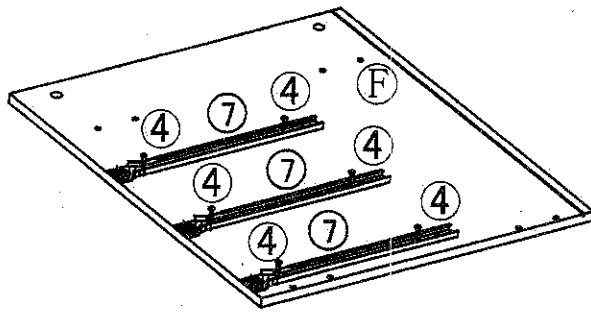
X1

# PARTS

①		24PCS	⑨		4PCS
②		12PCS	⑩		M6x50 2PCS
③		M4X35 12PCS	⑪		M5x70 4PCS
④		M4X14 28PCS	⑫		4PCS
⑤		M4X20 6PCS	⑬		M6X35 2PCS
⑥		3PCS	⑭		M6x12 8PCS
⑦		3SETS	⑮		1PC
⑧		M6x40 6PCS	⑯		2PCS

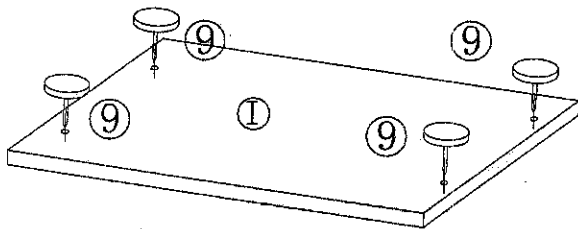


3



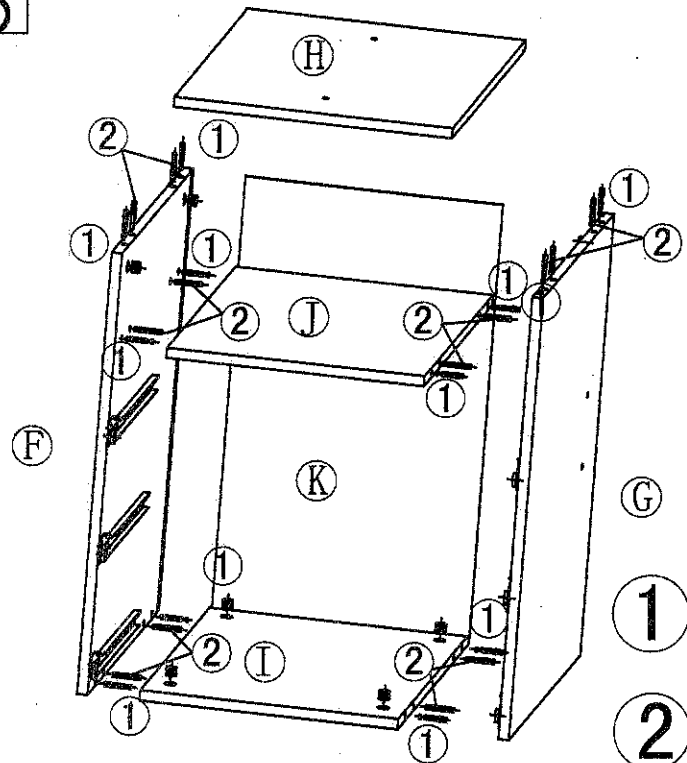
4 X12

4



9 X4

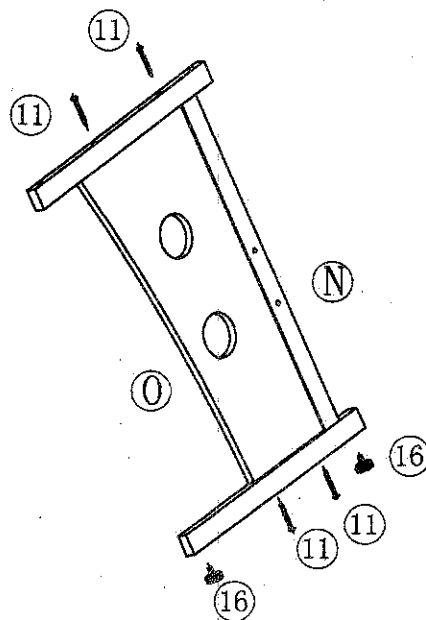
5



1 X12

2 X12

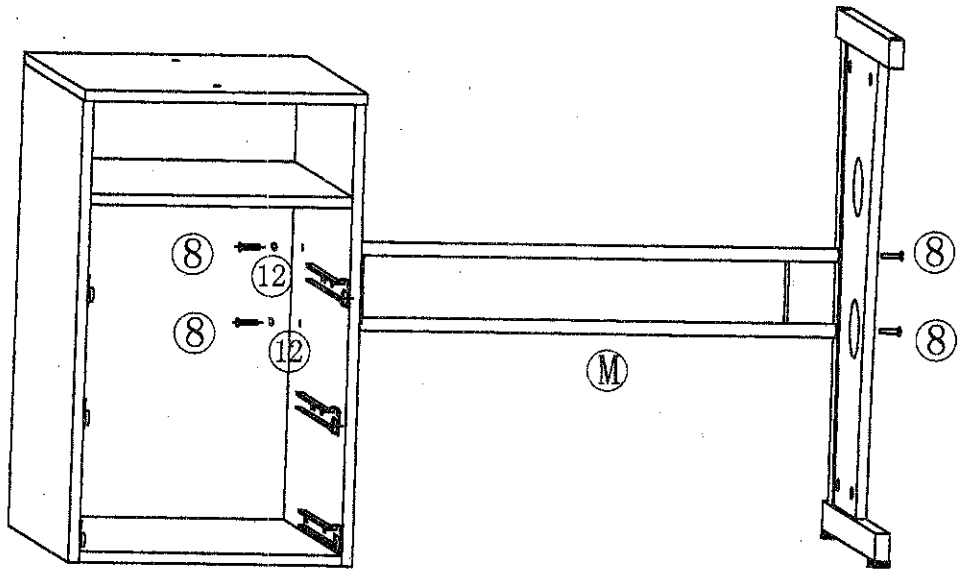
6



11 X4

16 X2

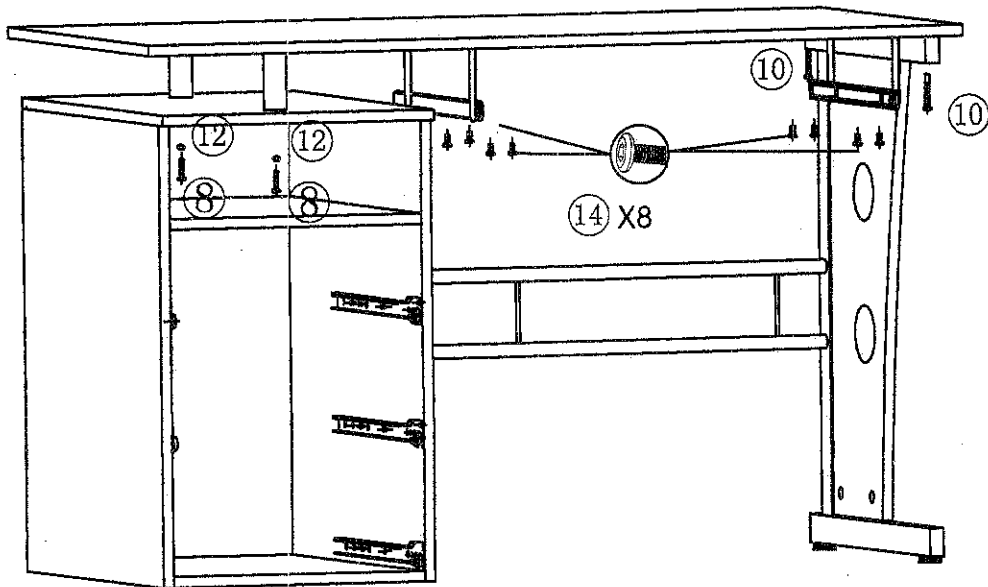
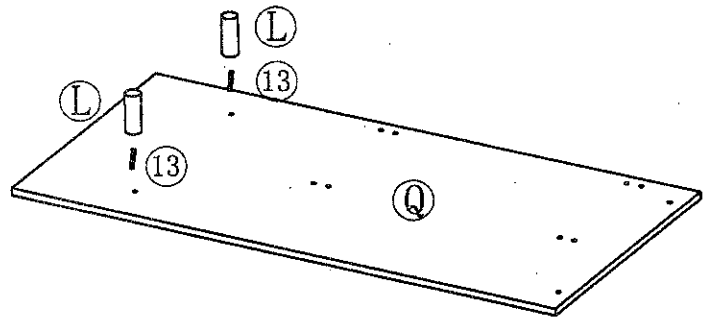
7



8 X4

12 X2

8



8 X2

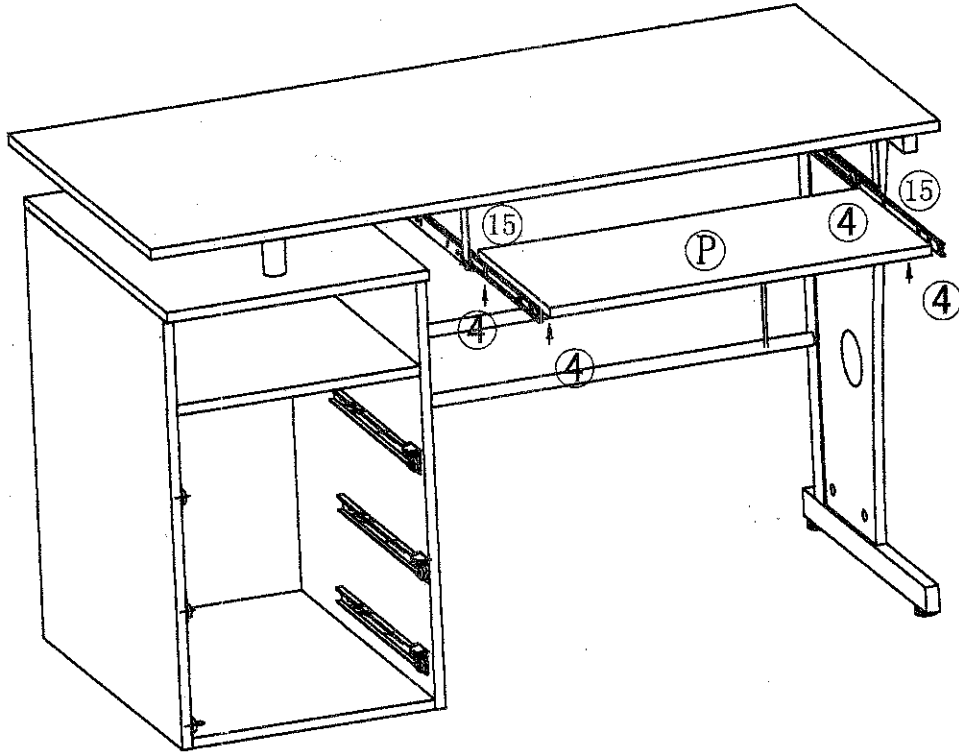
10 X2

12 X2

13 X2

14 X8

9



④ X4

10

