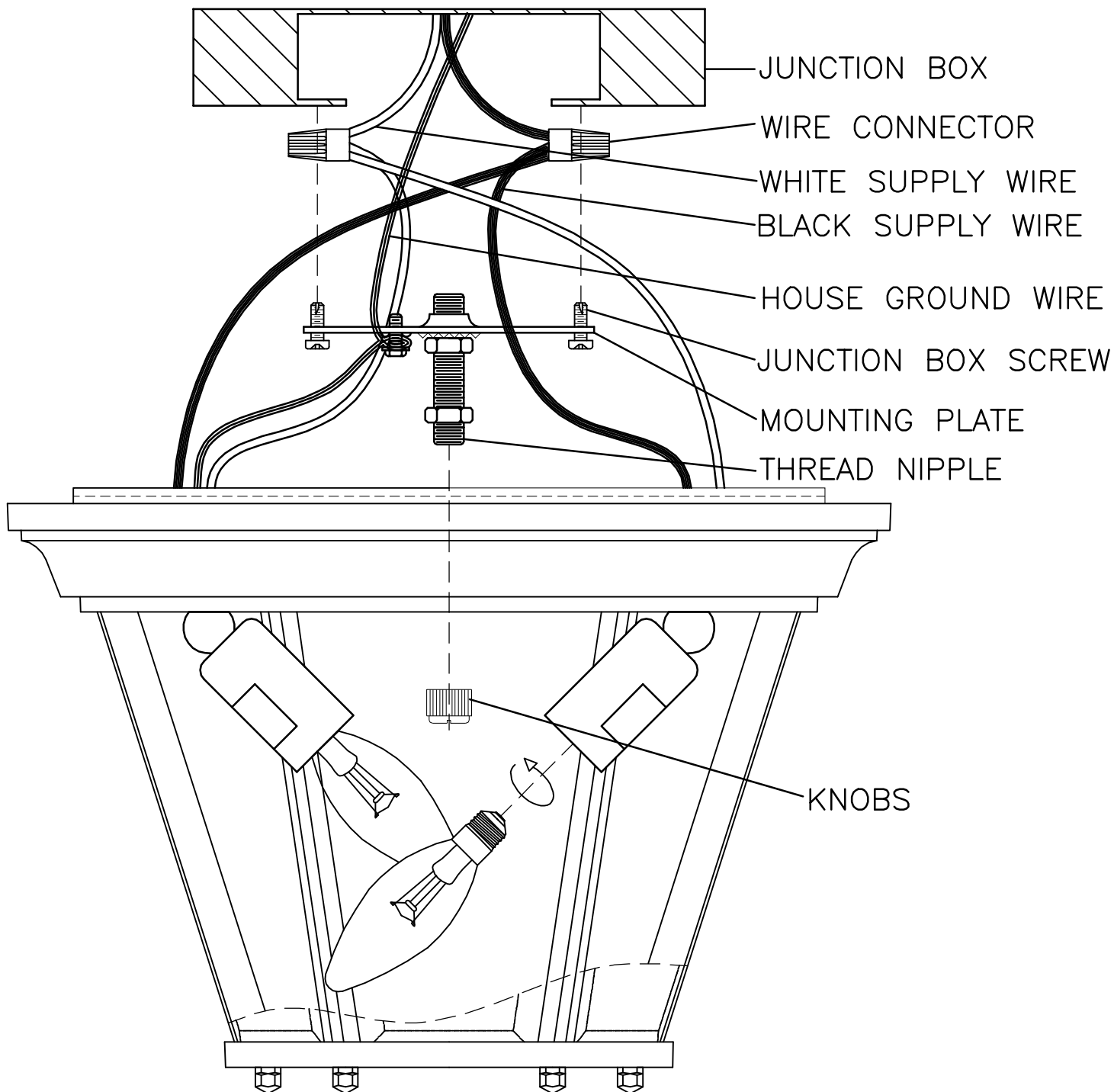


# ASSEMBLY INSTRUCTION

EL850



## INSTALLATION PROCEDURE:

1. Turn off Power;
2. Electrical connections, connect the black wire from fixture to the black supply wire and the white fixture wire to the white supply wire using wire nut.
3. Place the mounting plate to the J-box and tighten it with the mounting screws.
4. Secure the fixture to the mounting plate by knobs
5. Install the bulb (Bulb not included)