

ASSEMBLY INSTRUCTIONS



END TABLE

REVISION 0 : 02/26/2018
REVISION 1 : 08/16/2019
REVISION 2 : 11/14/2022

ASSEMBLY INSTRUCTIONS

ASSEMBLY TIPS:

1. Remove hardware from box and sort by size.
2. Please check to see that all hardware and parts are present prior to start of assembly.
3. Please follow attached instructions in the same sequence as numbered to assure fast & easy assembly.

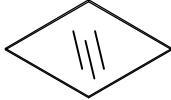
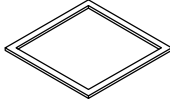
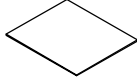
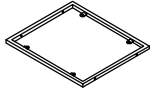
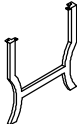


WARNING!

1. Don't attempt to repair or modify parts that are broken or defective. Please contact the store immediately.
2. This product is for home use only and not intended for commercial establishments.






ASSEMBLY TIME 30 MINUTES

PARTS IDENTIFICATION

A	GLASS		1PC
B	TOP FRAME		1PC
CN	MIRROR		1PC
D	BOTTOM FRAME		1PC
E	SIDE FRAME		2PCS

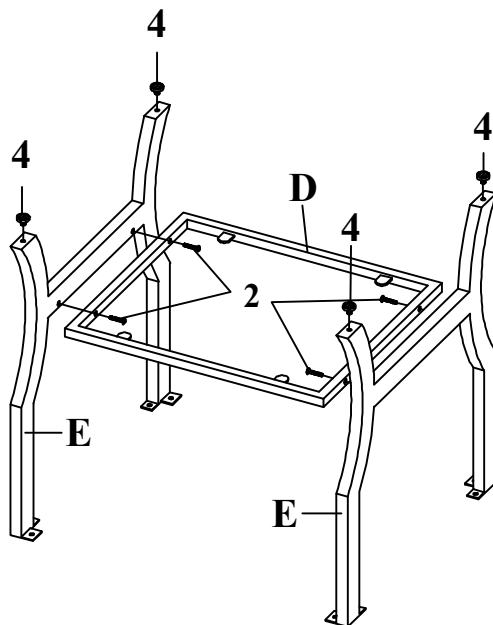
ZN

HARDWARE IDENTIFICATION

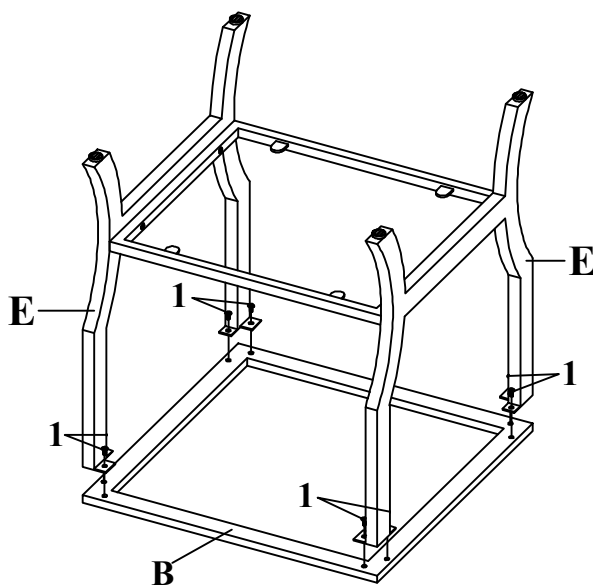
1	SHORT BOLT (1/4" x 12mm SR)		8PCS	4	LEVELER (1/4" x 12mm BLK)		4PCS
2	LONG BOLT (1/4" x 28mm SR)		4PCS	5	ALLEN WRENCH (4mm)		1PC
3	SUCTION CUP (Ø12mm)		8PCS				

ASSEMBLY INSTRUCTIONS

STEP 1 Do not tighten until each step is completed or instructed.

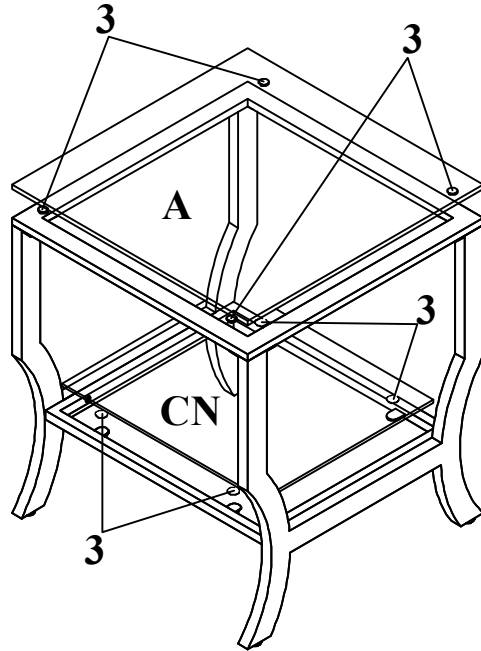


STEP 2



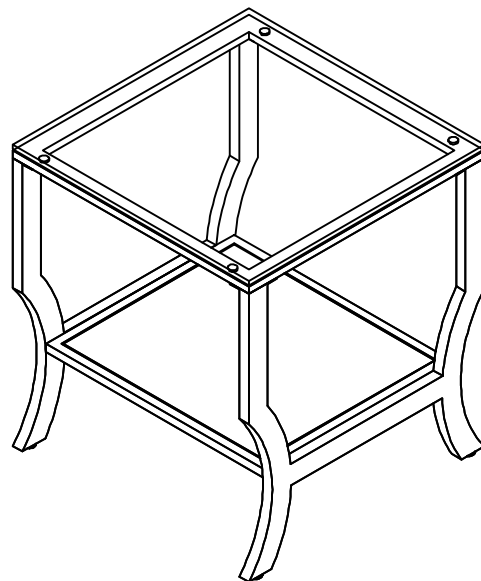
ASSEMBLY INSTRUCTIONS

STEP 3



STEP 4

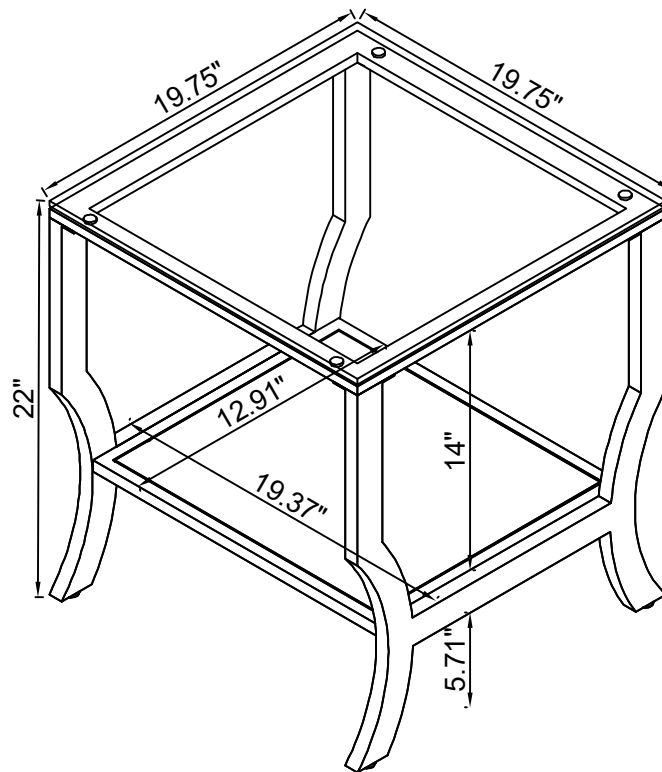
COMPLETE



ASSEMBLY INSTRUCTIONS

Product Size : 502 X 502 X 559 H (MM)

Product Size : 19 $\frac{3}{4}$ " X 19 $\frac{3}{4}$ " X 22"



Note : Dimension tolerance $\pm 5\%$