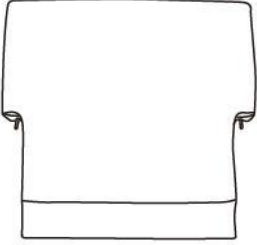


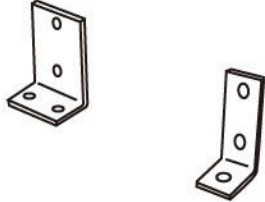
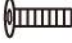



**IMPORTANT NOTICE:  
HARDWARE PACKAGE IS ATTACHED  
ON THE BOTTOM OF SEAT CUSHION.**

(1)X1  Back	(2)X1  Seat
(3)X1 (L)x1 (R)  Left & Right Frame	(4)X2 
<b>(B)x10</b>  M6*22 <b>(C)x1</b> 	

**Insert and loosely tighten all screws. When assembly is completed, fully tighten all screws before using. This chair is only intended for sitting. Any other use will void the warranty.**

