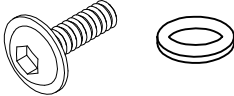

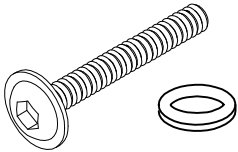
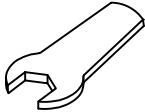

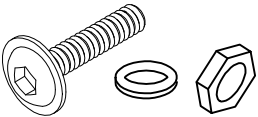
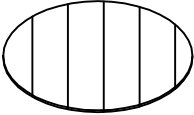
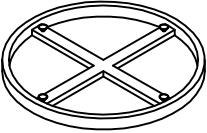
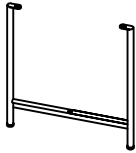
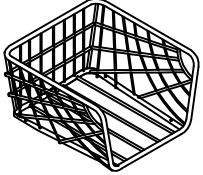
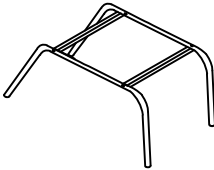
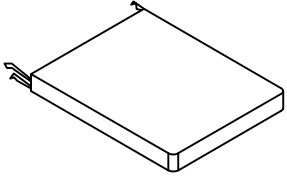
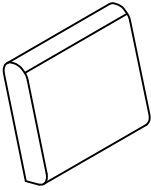



**IMPORTANT, RETAIN FOR FUTURE REFERENCE: READ CAREFULLY**

**Notice:**


1. Follow the installation instructions. Please confirm all accessories are preset before installation.
2. Do not fully tighten the screws during initial assembly. Fully tighten screws only once all pieces which are correctly assembled.
3. If you encounter any problems during installation, refer to two solutions: Follow the installation video tutorial on the Amazon product page or contact our customer service.

Item no.	Reference Image	Qty	Item no.	Reference Image	Qty
A	 M6*12mm	X4	-		X1
B	 M8*55mm	X8	-		X1
C	 M8	X8			
D	 M6*35mm	X1			

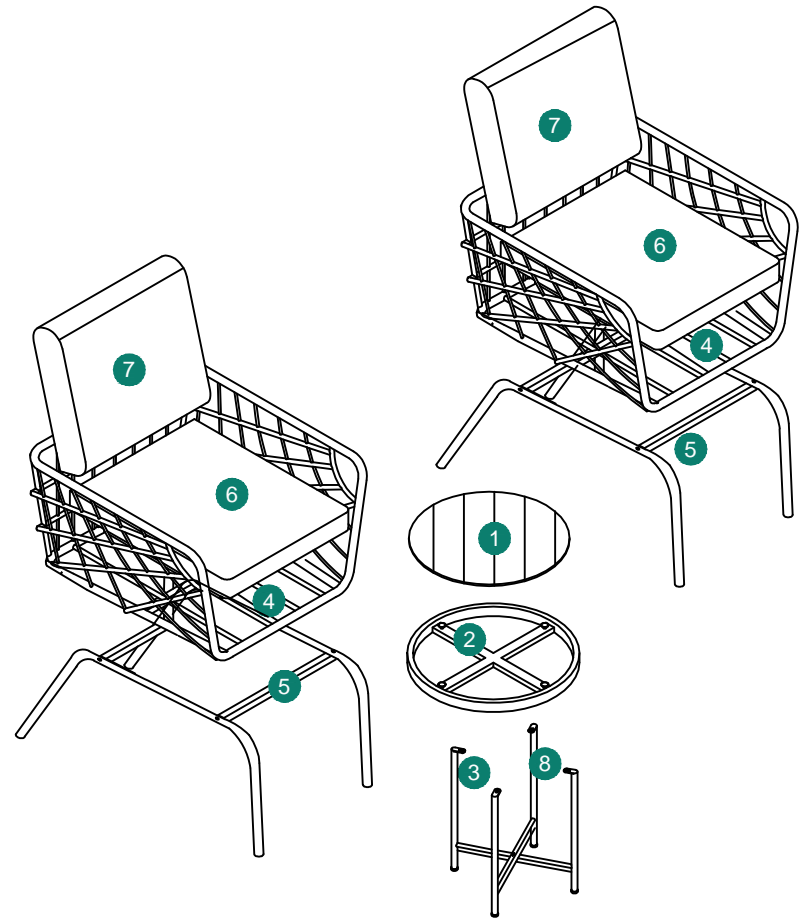
Item no.	Reference Image	Qty	Item no.	Reference Image	Qty
1		X1	2		X1
3		X1	4		X2
5		X2	6		X2
7		X2	8		X1

Explosion Diagram

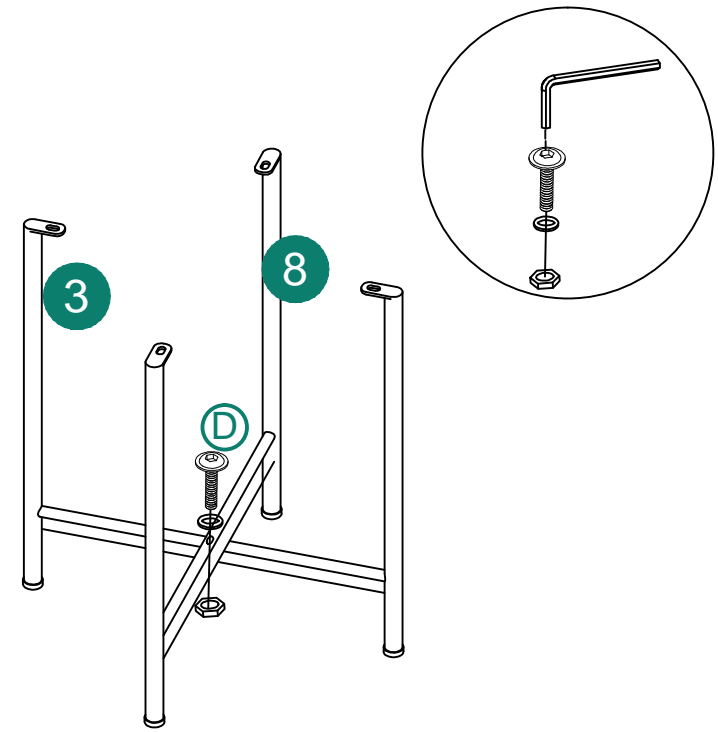
**1**



ⓓ 1pcs    ③ 1pcs    ⑧ 1pcs



3



4

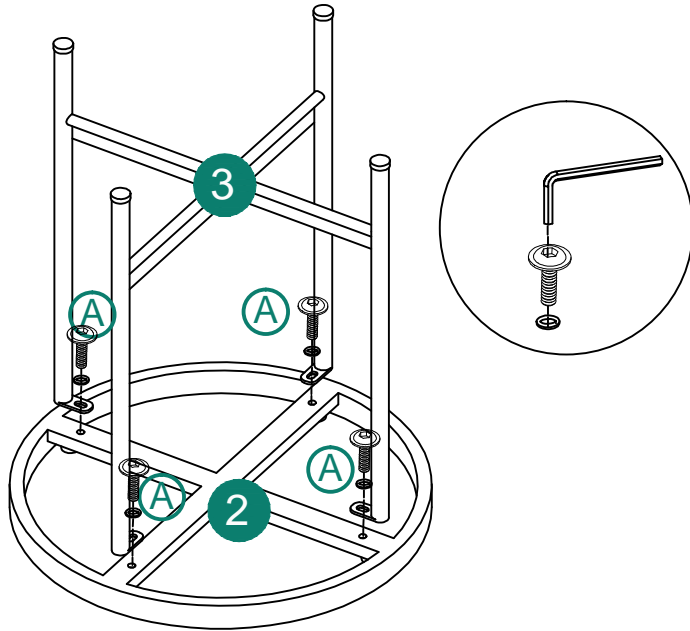
2



Ⓐ 4pcs

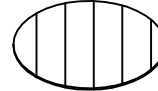


Ⓑ 1pcs

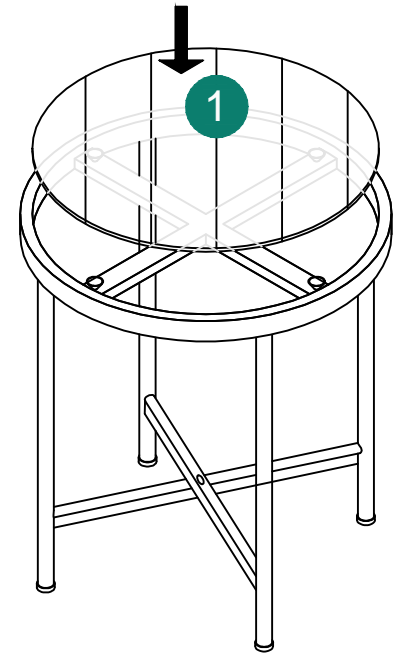


5

3

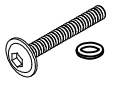


① 1pcs



6

4



Ⓑ 8pcs



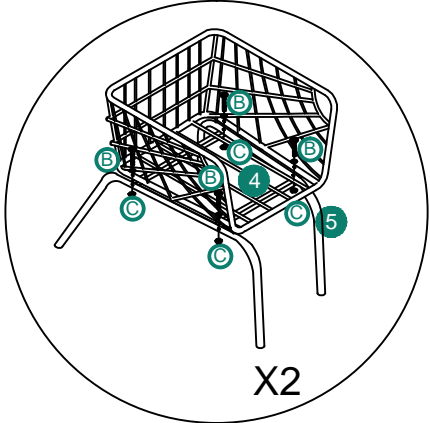
Ⓒ 8pcs



④ 2pcs

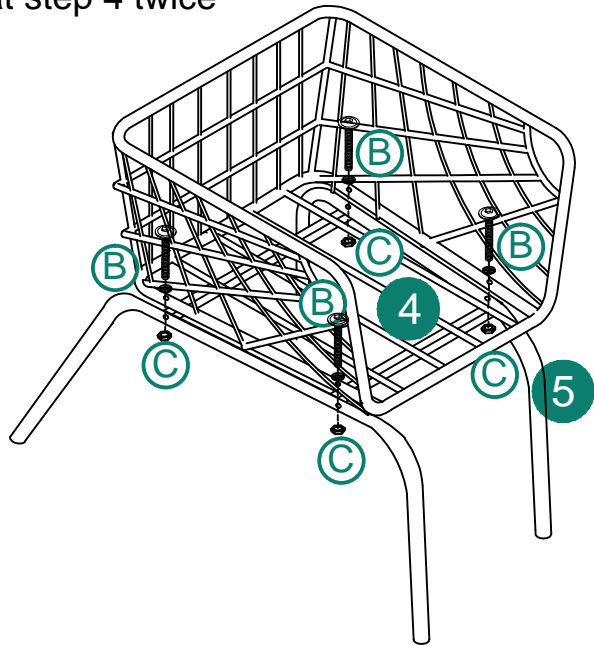
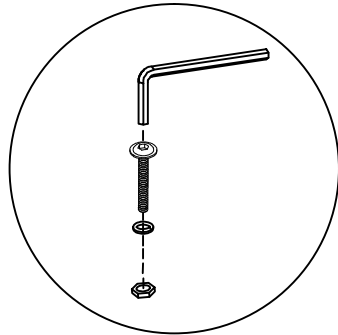


⑤ 2pcs



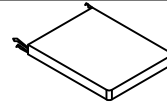
X2

Repeat step 4 twice

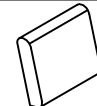


7

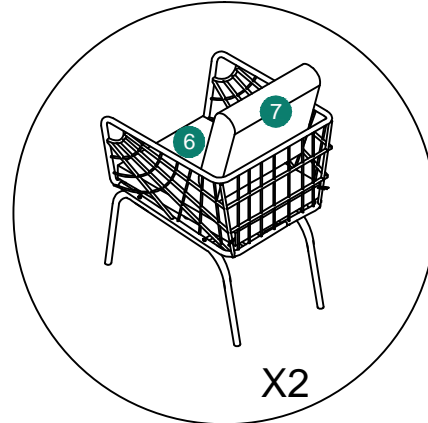
5



⑥ 2pcs

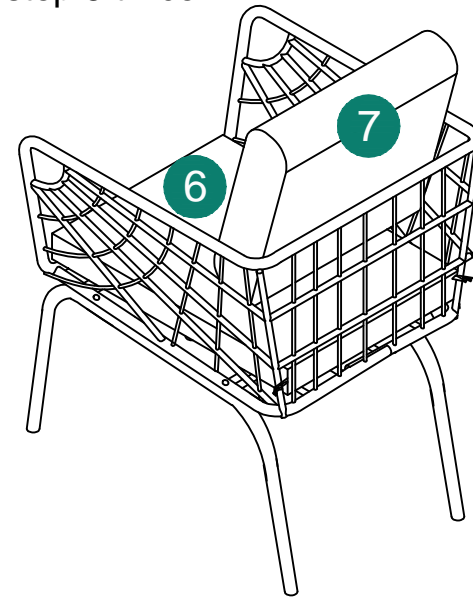


⑦ 2pcs



X2

Repeat step 5 twice



8