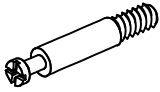
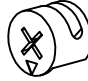

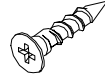
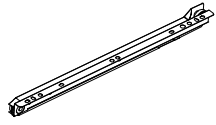
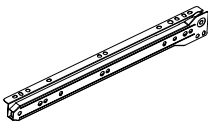


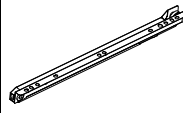
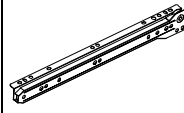
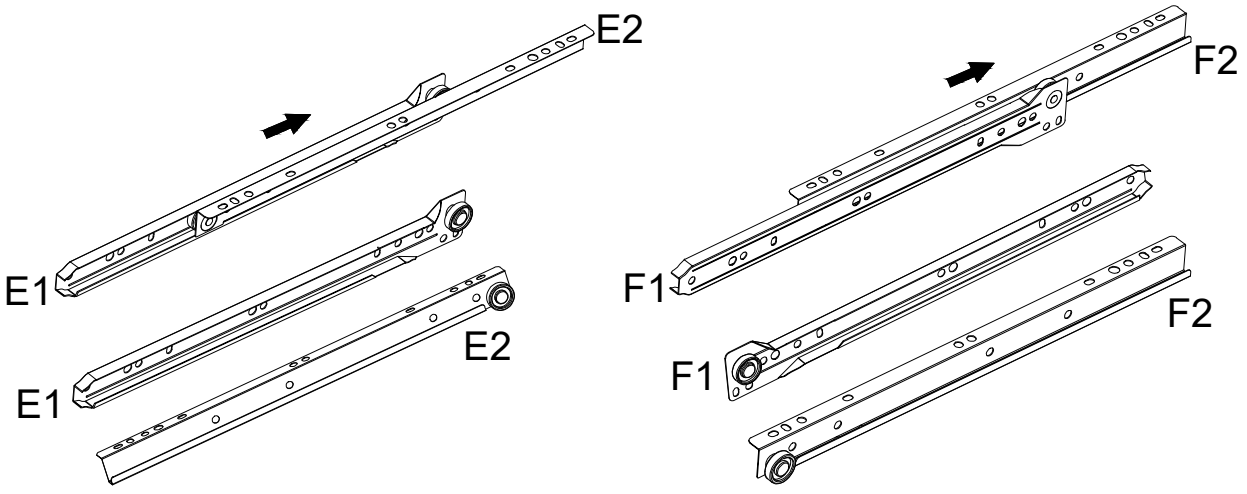


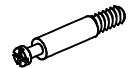

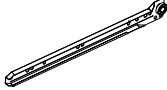
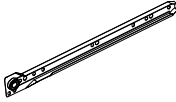
A×20PCS	B×16PCS	C×9PCS	D×8PCS	E×1PC
 M6×35mm	 Ø15×12mm	 Ø8×30mm	 Ø3.5×14mm	
F×1PC	G×4PCS	H×4PCS		
	 Ø4×35mm	 Ø15×9.3mm		

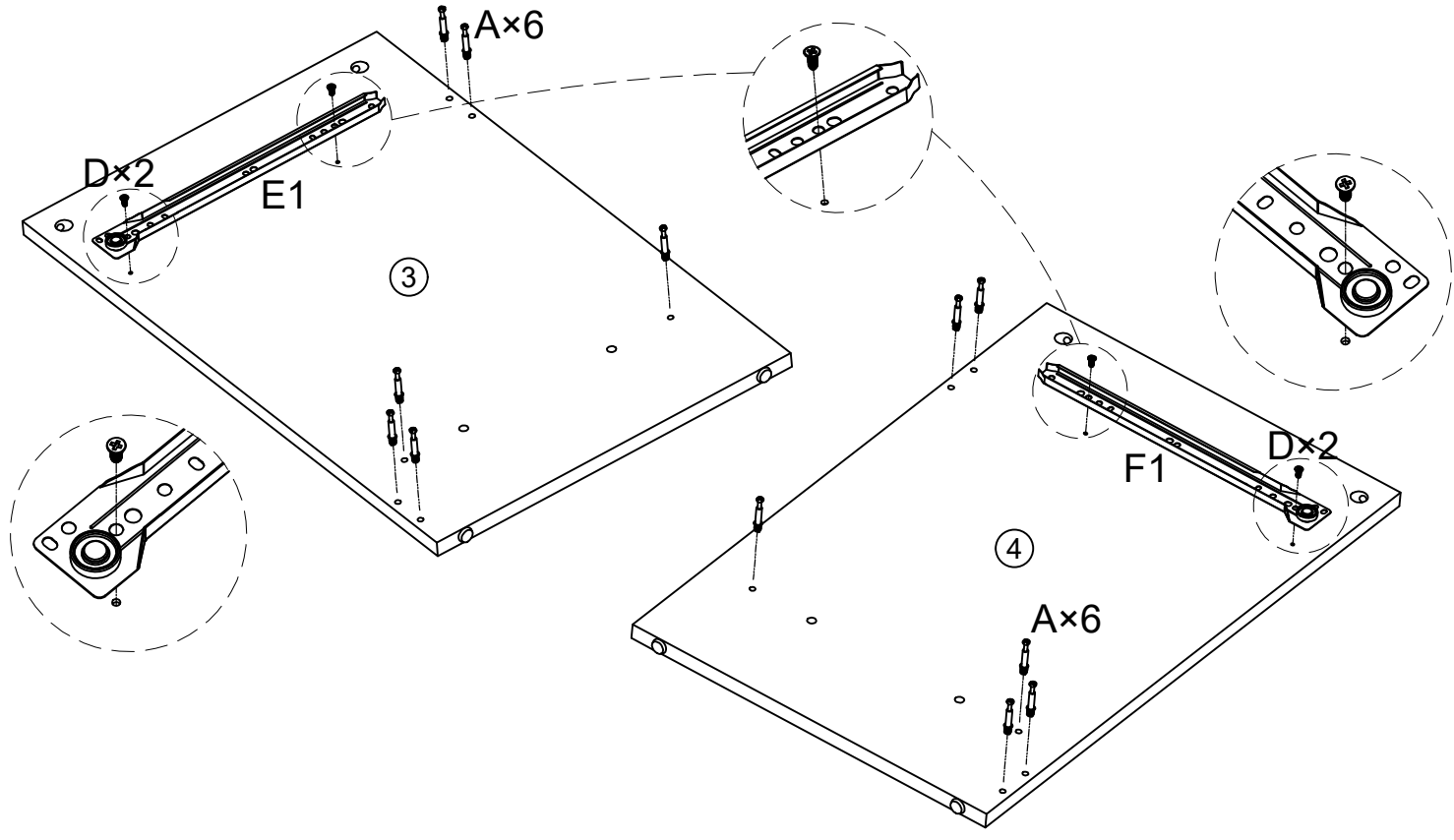
1.



E×1PC	F×1PC
	



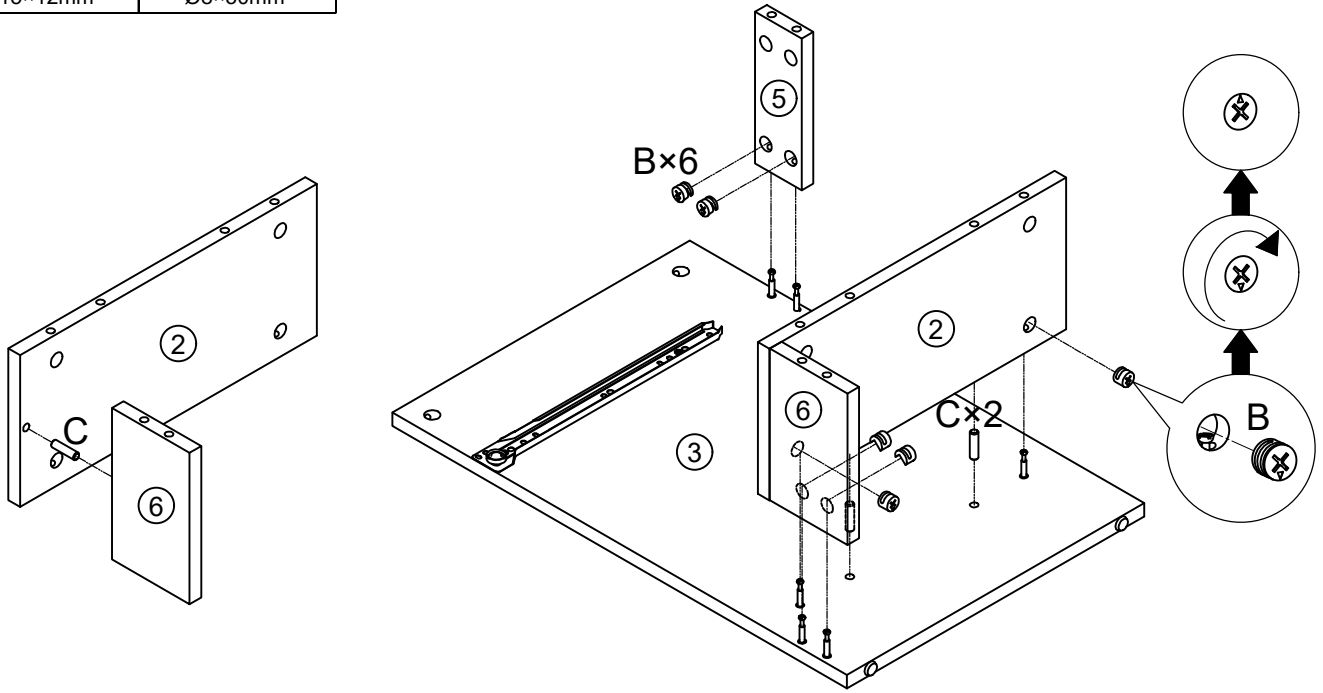
2.



A×12PCS	D×4PCS	E1×1PC	F1×1PC
 M6×35mm	 Ø3.5×14mm		



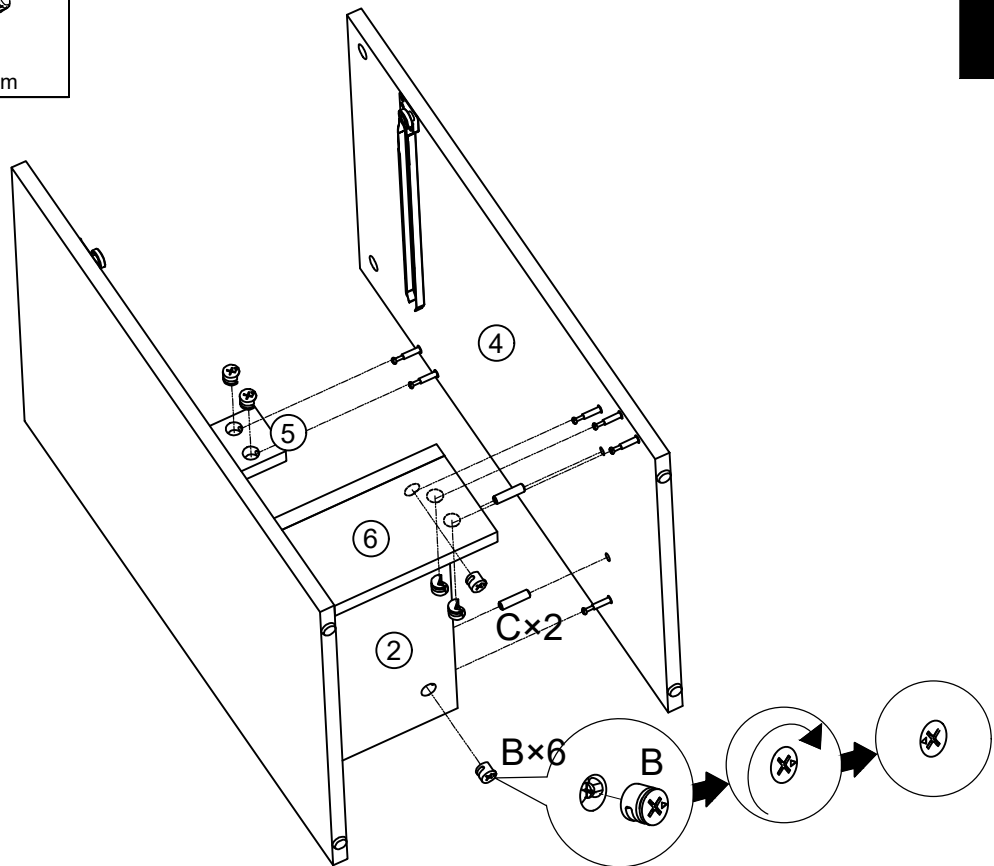
B×6PCS	C×3PCS
	
Ø15×12mm	Ø8×30mm

# 3.

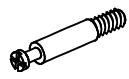




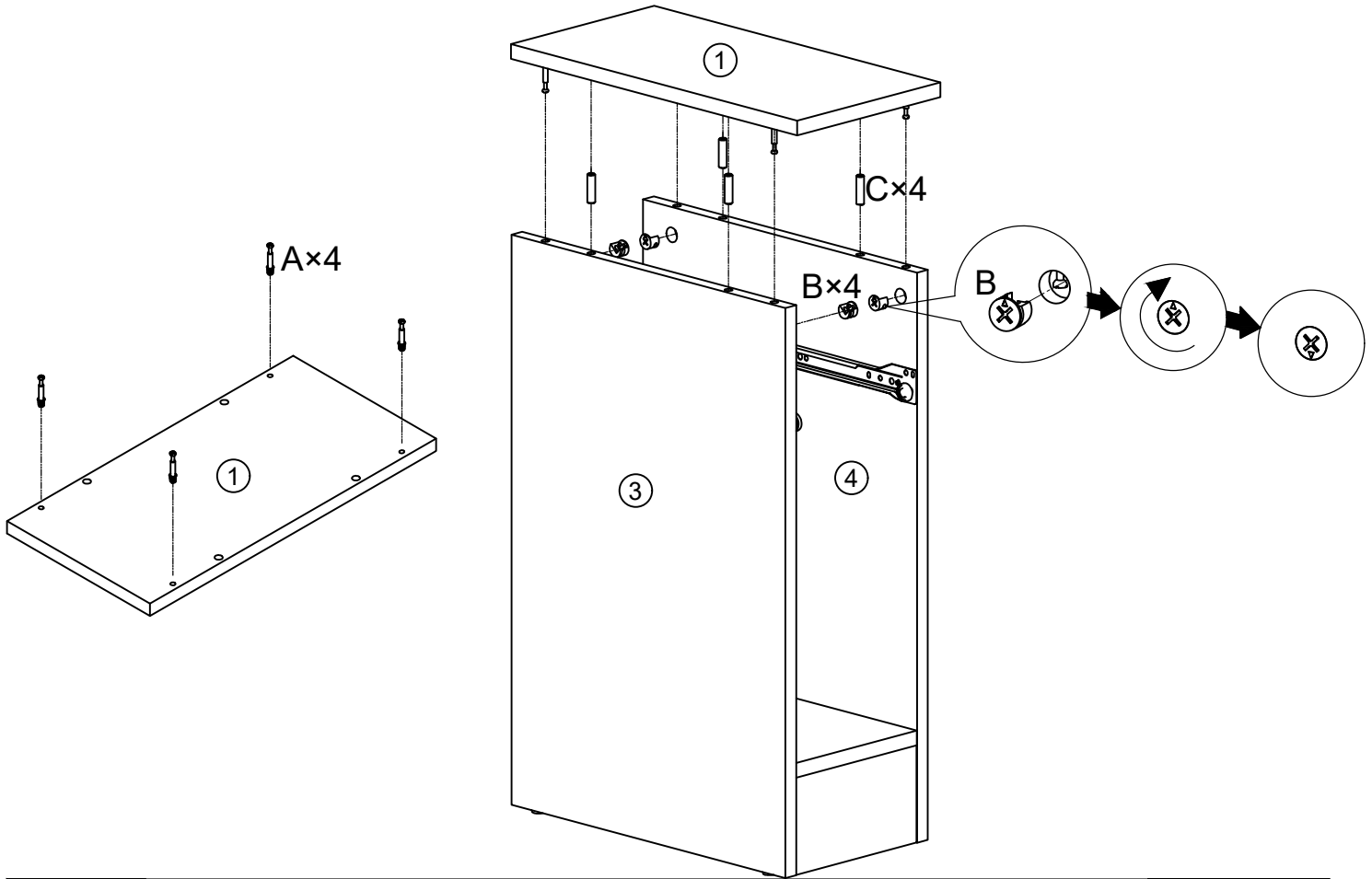
B×6PCS	C×2PCS
	
Ø15×12mm	Ø8×30mm

# 4.



5.

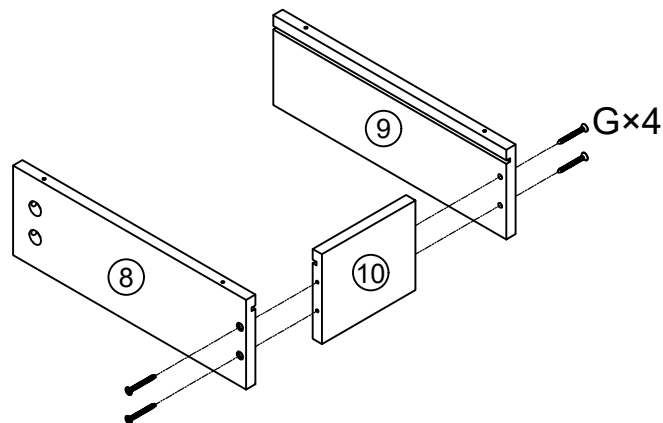
A×4PCS	B×4PCS	C×4PCS
		
M6×35mm	Ø15×12mm	Ø8×30mm



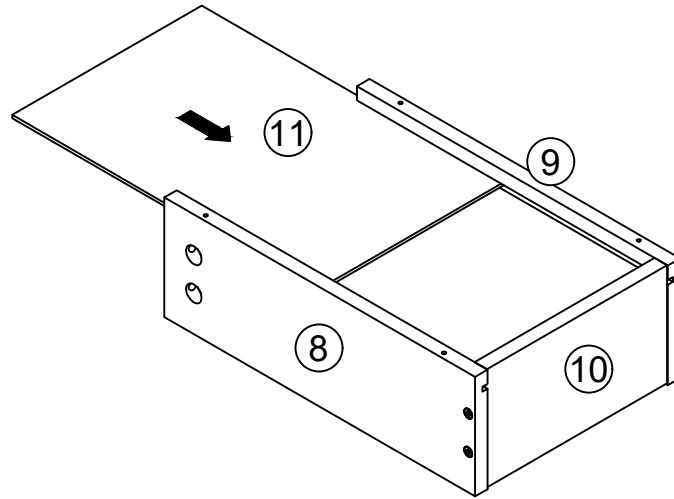
6.

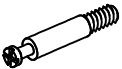

G×4PCS

Ø4×35mm

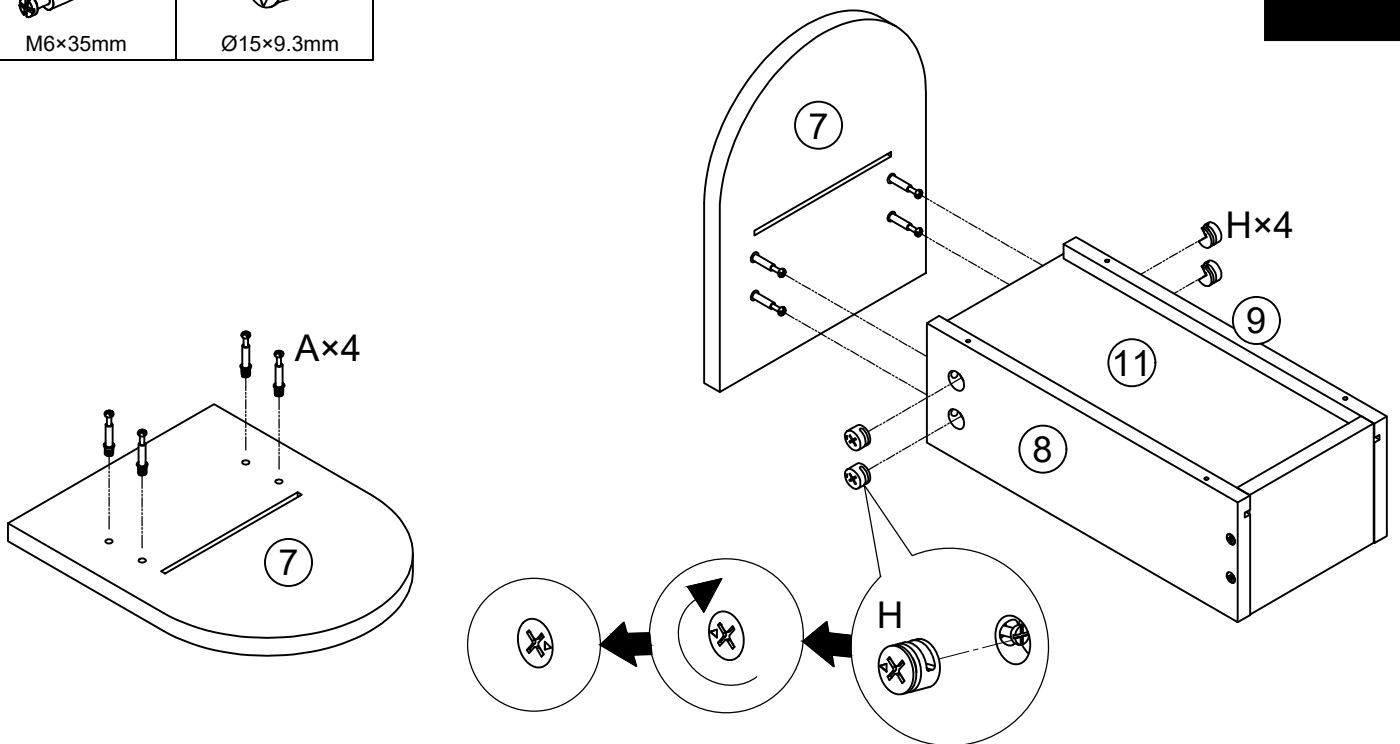


7.


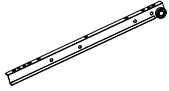
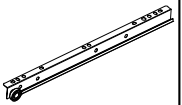


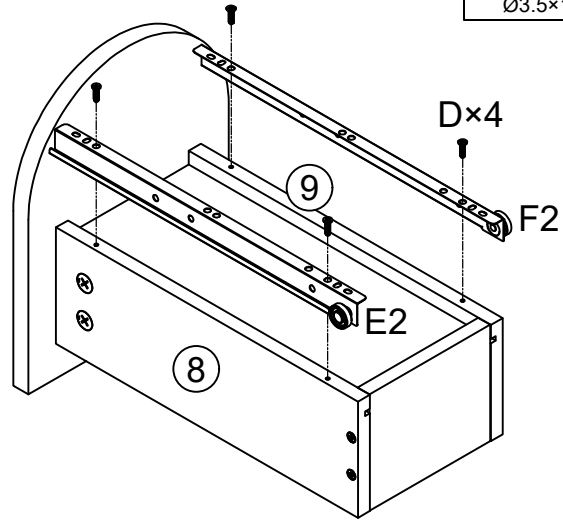
A×4PCS	H×4PCS
	
M6×35mm	Ø15×9.3mm

8.



9.

D×4PCS	E2×1PC	F2×1PC
		
Ø3.5×14mm		



10.

