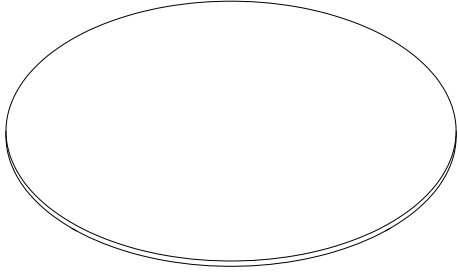
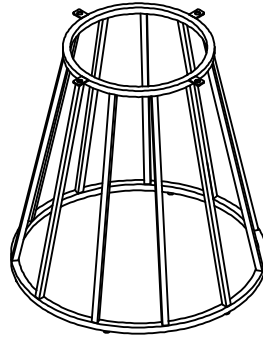


Product Assembly Instructions



A : Top x1



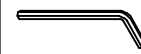
B : Base x1



C: Bolt M8*20mm x4

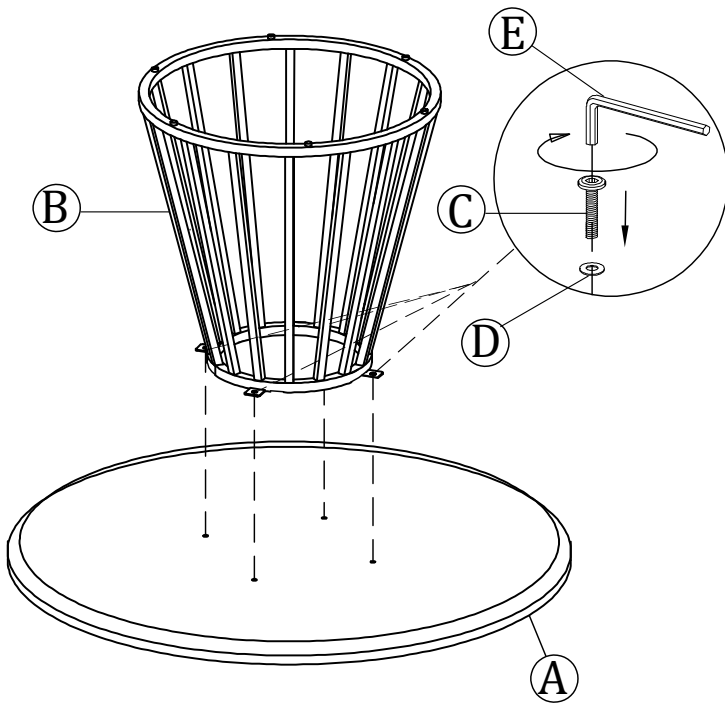


D: Washer x4



E: Allen key x1

STEP 1



STEP 2

