

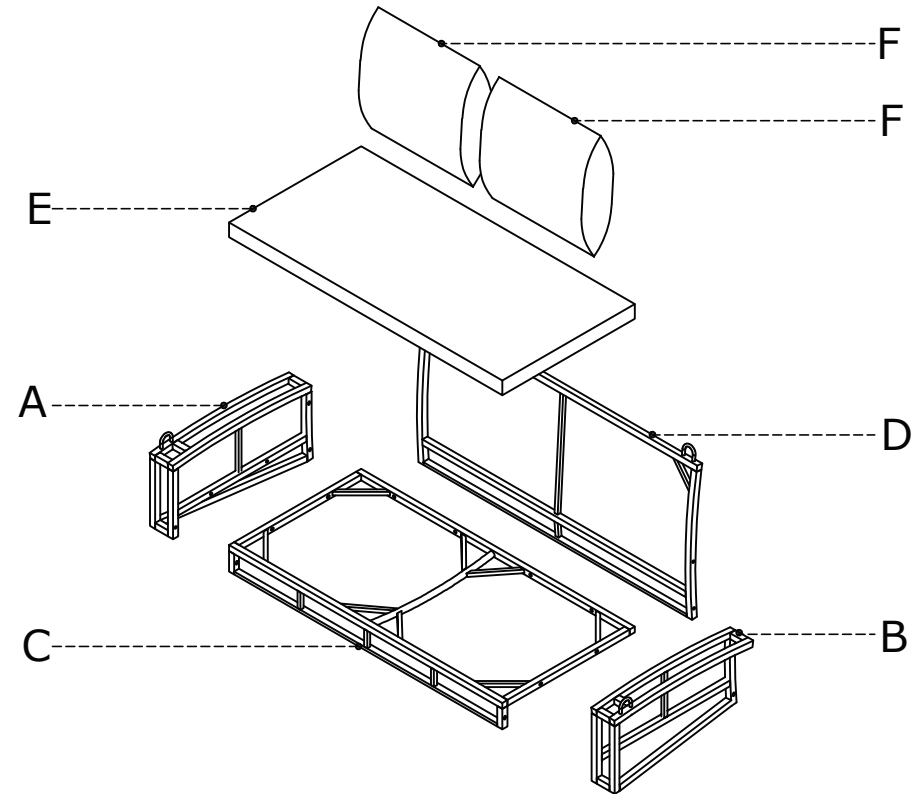
## **USER'S MANUAL**

# **Rattan Hanging Porch Swing**



## Before You Start

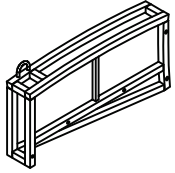
- ⚠ Please read all instructions carefully.
- ⚠ Retain instructions for future reference.
- ⚠ Separate and count all parts and hardware.
- ⚠ Read through each step carefully and follow the proper order.
- ⚠ We recommend that, where possible, all items are assembled near to the area in which they will be placed in use, to avoid moving the product unnecessarily once assembled.
- ⚠ Always place the product on a flat, steady and stable surface.
- ⚠ Keep all small parts and packaging materials for this product away from babies and children as they potentially pose a serious choking hazard.



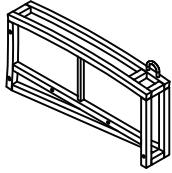
### Notice

1. 50% Tighten before fixing all screws, Allen wrench is recommended instead of an electric drill.
2. Place the item on a flat ground to adjust and make sure it remains stable.
3. Tighten up all screws with tools gradually.
4. If the screws are not aligned with holes during assembly, please loosen all the other screws to 50% and continue the assembly process.
5. If the item is not stable, please loosen all the screws, adjust it on a flat ground and tighten up all screws again.
6. Note : If one or some screws are fully tightened during assembly, chances are the others will not be aligned with holes. In addition, all the holes are designed to be relatively larger to provide more space for the adjustment of the screws.

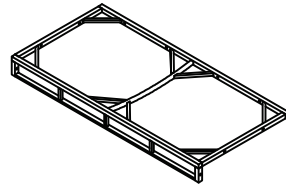
### Parts List



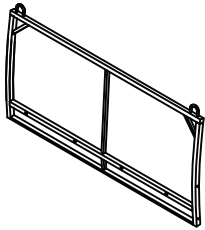
**A x 1**  
Right Frame



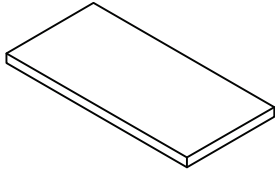
**B x 1**  
Left Frame



**C x 1**  
Seat Frame



**D x 1**  
Back Frame

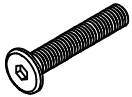


**E x 1**  
Seat Cushion



**F x 2**  
Back Pillow

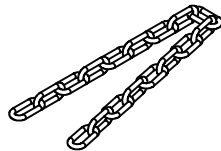
### Hardware List



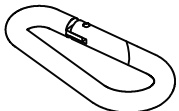
**1 x 14**  
Bolt M6x40mm



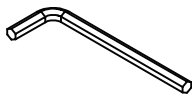
**2 x 14**  
Washers Ø6x16x1 mm



**3 x 2**  
Steel chain



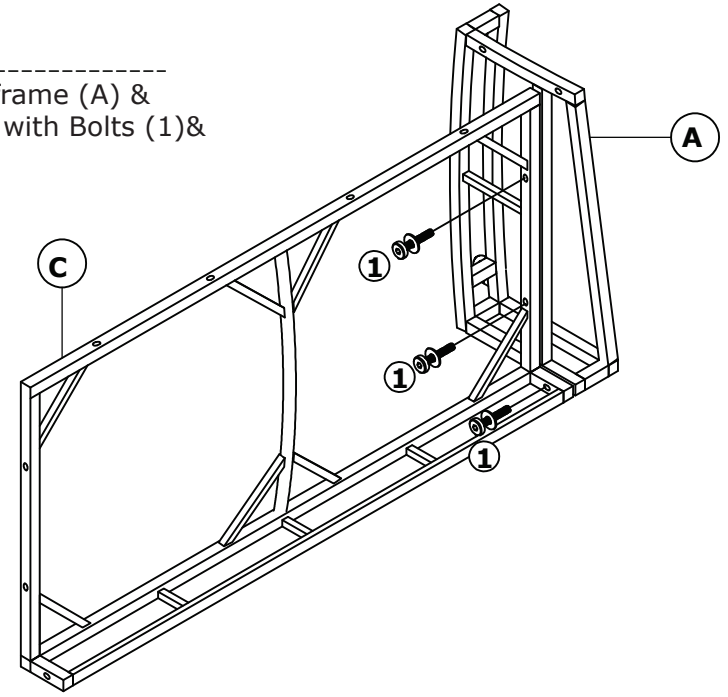
**4 x 4**  
Safety keychain



**5 x 1**  
Allen key M4

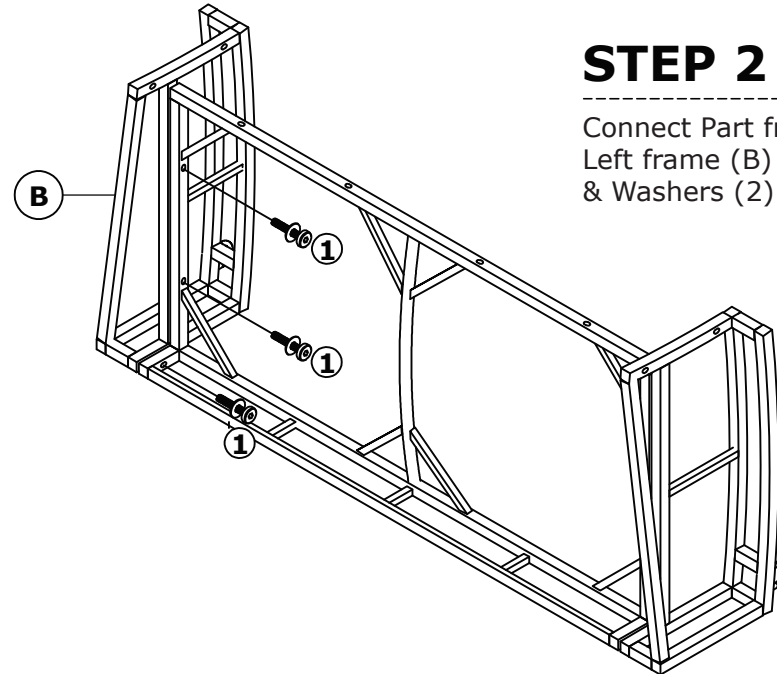
## STEP 1

Connect Right frame (A) & Seat frame (C) with Bolts (1) & Washers (2)



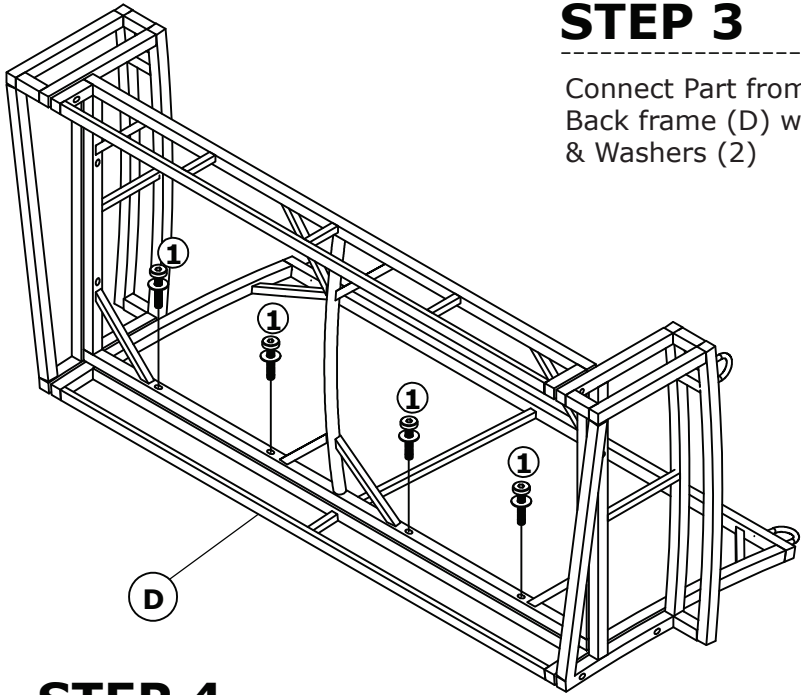
## STEP 2

Connect Part from STEP 1 to Left frame (B) with Bolts (1) & Washers (2)



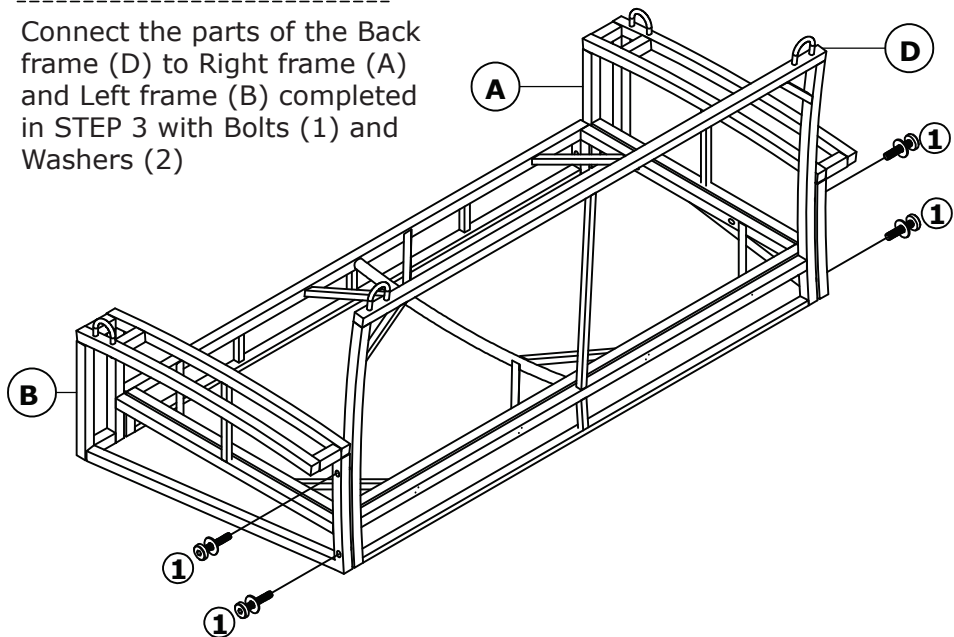
## STEP 3

Connect Part from STEP 2 to Back frame (D) with Bolts (1) & Washers (2)



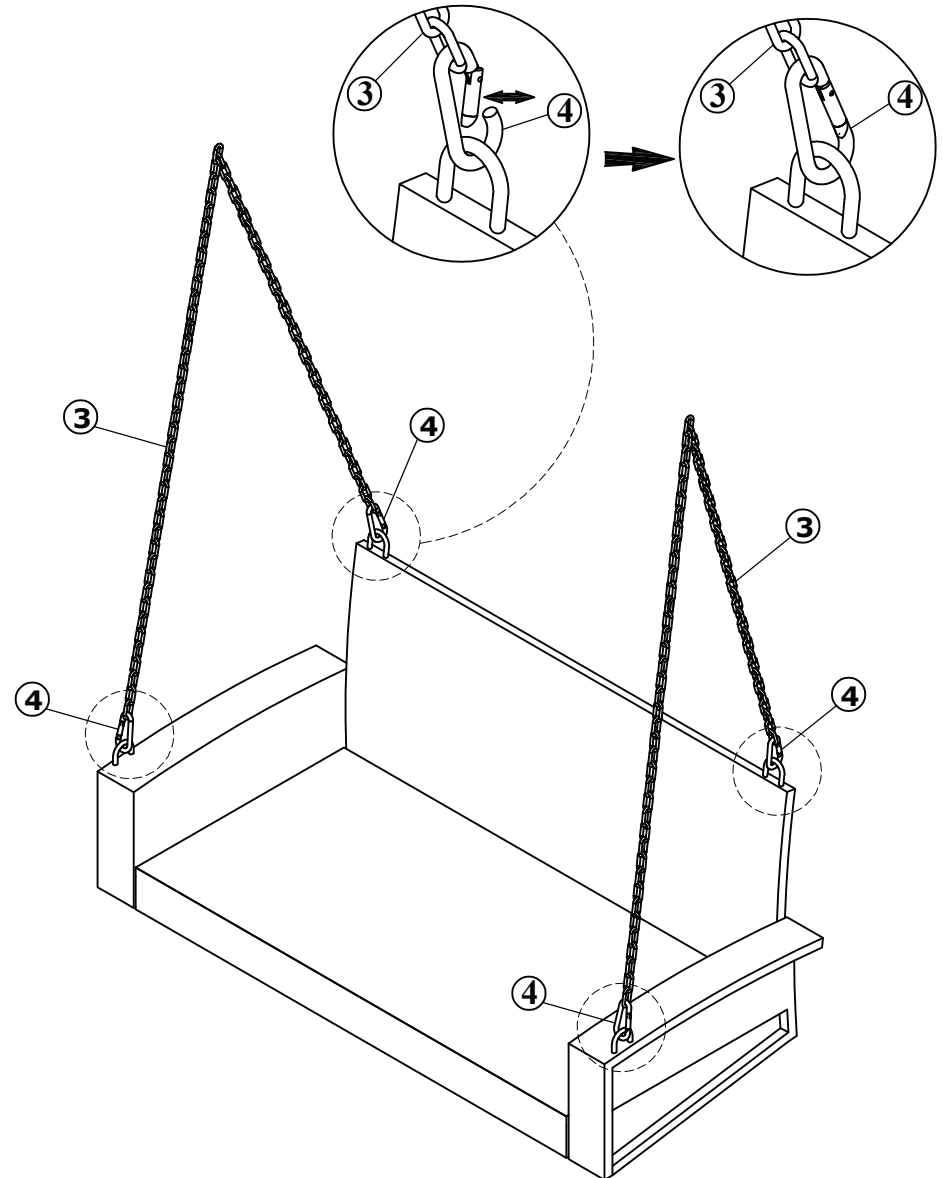
## STEP 4

Connect the parts of the Back frame (D) to Right frame (A) and Left frame (B) completed in STEP 3 with Bolts (1) and Washers (2)



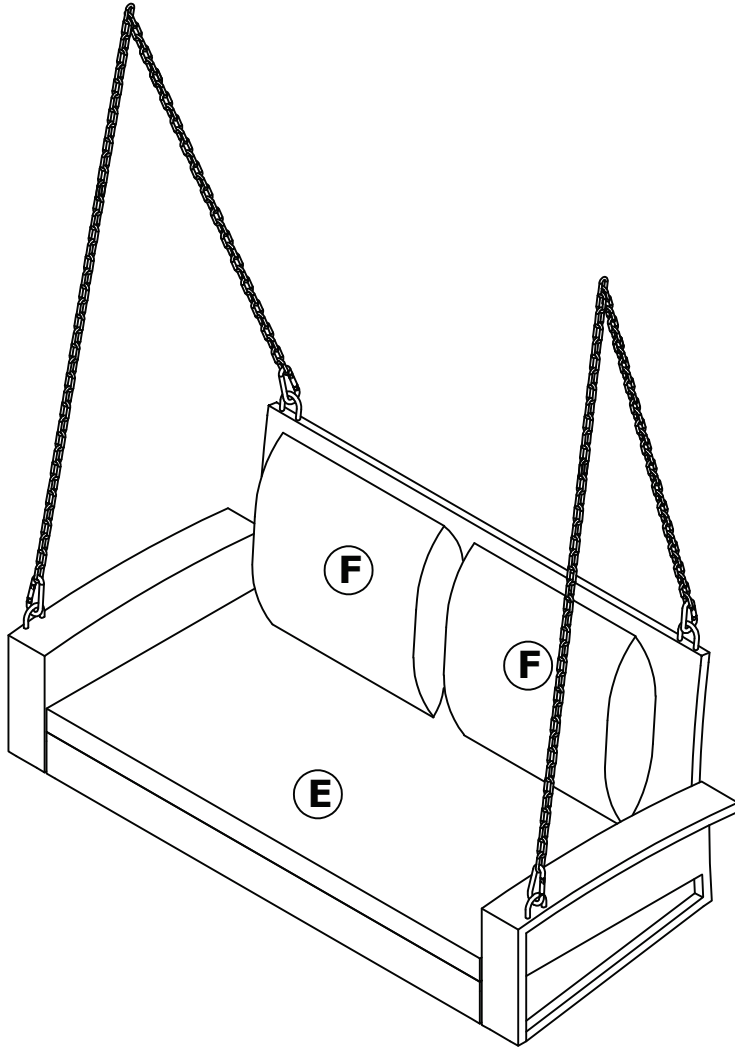
## STEP 5

Connect Part from STEP 4 with Steel chain (3) & Safety keychain (4)



## STEP 6

Put on Seat cushion (E) & Back Pillow (F) to complete the assembly of Rattan Hanging Porch Swing



## Care and Maintenance

Use a soft, clean cloth that will not scratch the surface when dusting.

Use of furniture polish is not necessary.

Should you choose to use polish, test first in an inconspicuous area.

Using solvents of any kind on your furniture may damage the finish.

Never use water to clean your furniture as it may cause damage to the finish.

Liquid spills should be removed immediately. Using a soft clean cloth, blot the spill gently. Avoid rubbing.

Check bolts/screws periodically and tighten them if necessary.

## Further advice about wood furniture care

Please protect your outdoor furniture with a cover when not in use since long-term sunlight exposure will result in the damage on the surface.

In addition to sunlight damage, wood and metal frame suffers when exposed to extremes in temperature and humidity.

Proper care and cleaning at home will extend the life of your purchase.

Following these important and helpful tips will enhance your furniture as it ages.