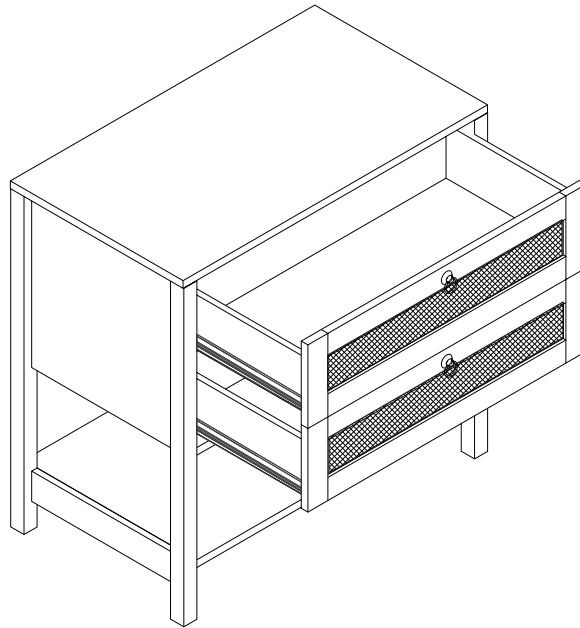
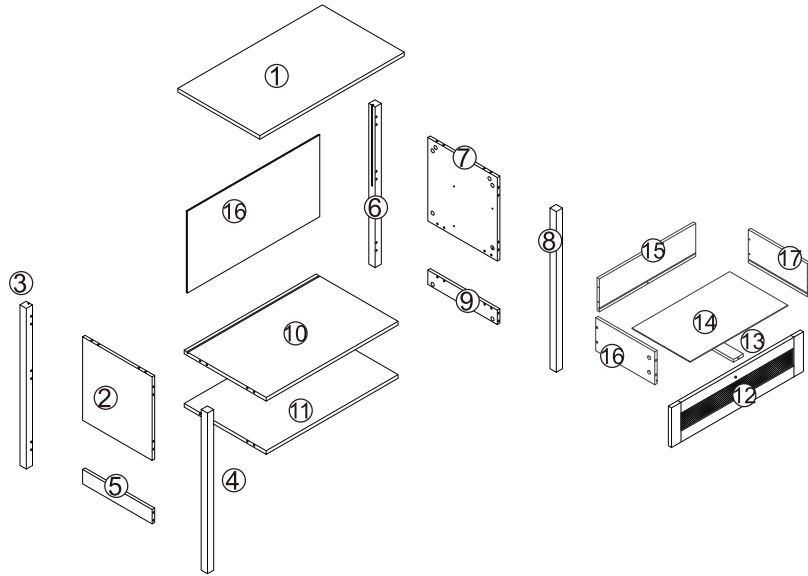












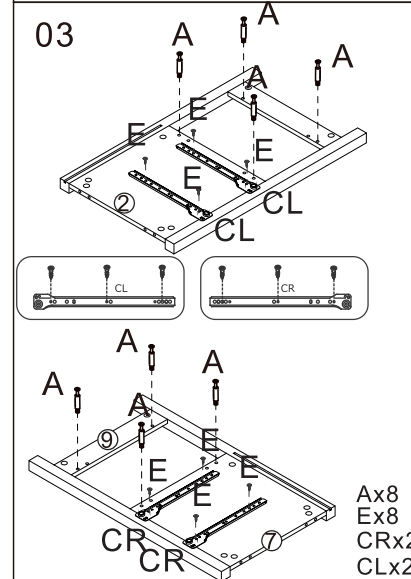
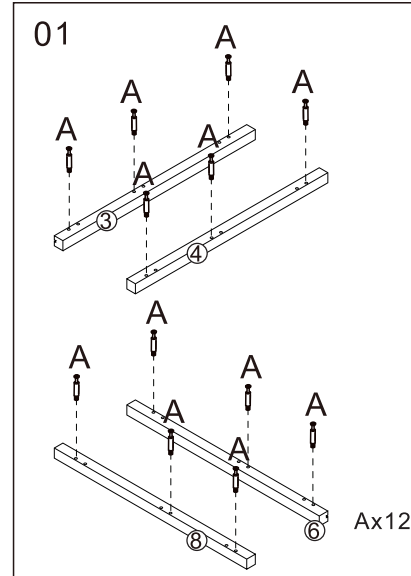
USER MANUAL

2 Drawer Nightstand

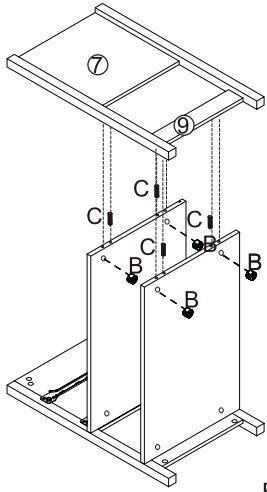




 A x 30 $\varnothing 6 \times 35\text{mm}$	 B x 30 $\varnothing 15 \times 9.5\text{ mm}$	 C x 20 $\varnothing 6 \times 30\text{ mm}$
 D x 10 $\varnothing 4 \times 25\text{ mm}$	 E x 16 $\varnothing 3 \times 12\text{ mm}$	 F x 2 $\varnothing 4 \times 16\text{ mm}$
 DL x 2	 DR x 2	 CL x 2
 CR x 2		

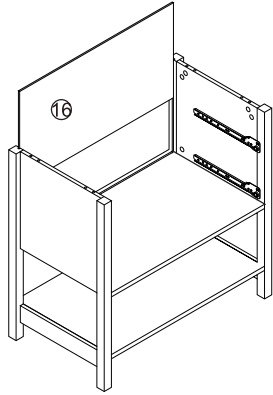


05

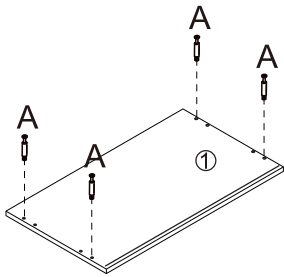


Bx4
Cx4

06

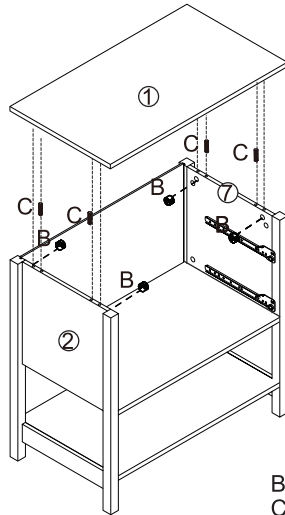


07



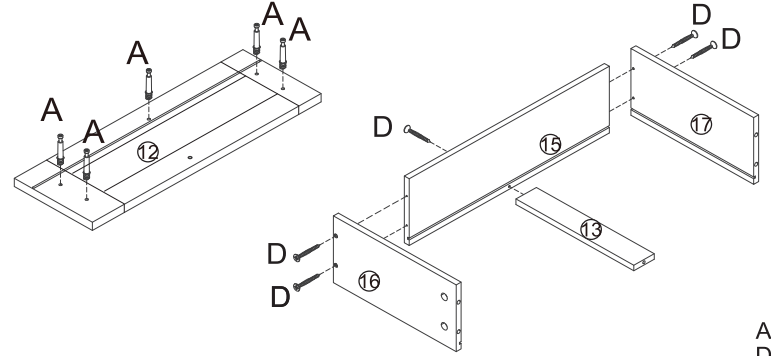
Ax4

08



Bx4
Cx4

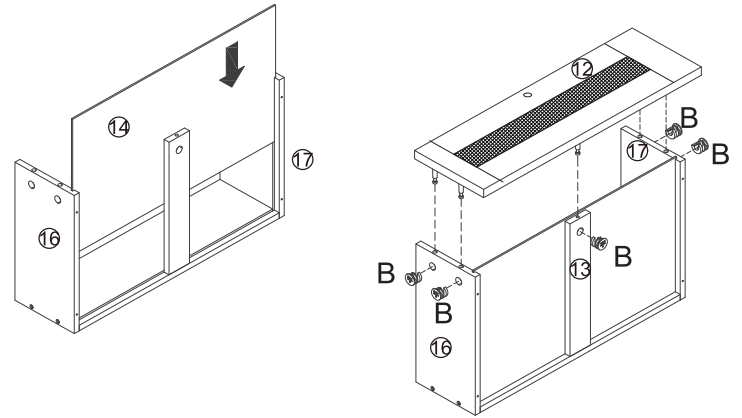
09



X2

Ax10
Dx10

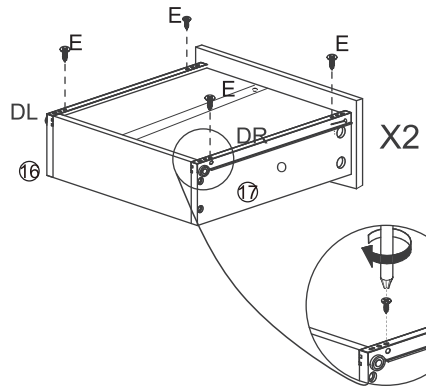
10



X2

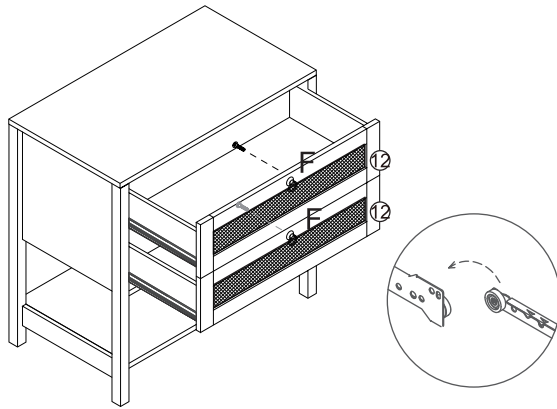
Bx10

11



Ex8
DLx2
DRx2

12



Fx2