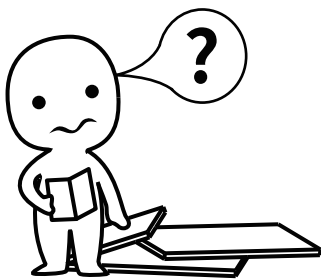


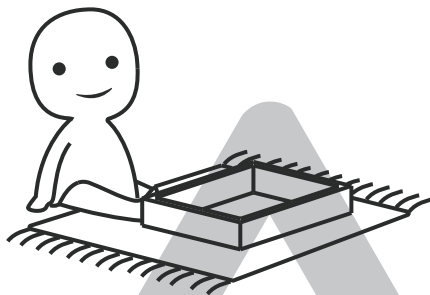
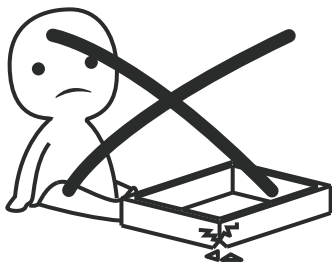
INSTALLATION

Product Manual



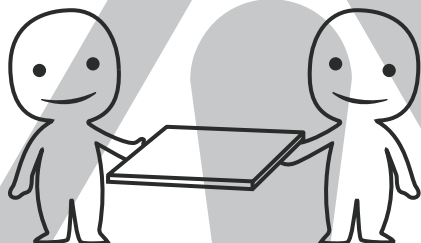
IMPORTANT INFORMATION!

Please read the entire manual before starting to assemble and/or using this product follow the manual thoroughly and keep it for further reference.



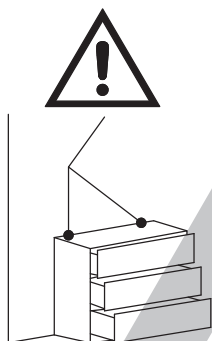
AVOID SCRATCHES!

In order to avoid scratching this furniture should be assembled on a soft layer-could be a rug.



IMPROVE EFFICIENCY !

Try to find a partner to install with you, which can speed up the installation efficiency and shorten the time.



ANTI-TOPPLE WARNING !

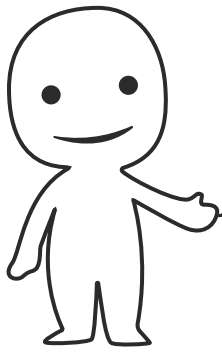
Overturnd furniture can cause serious or fatal crush injuries. To prevent tipping over, be sure to use the wall attachment, if not included with this product. Please purchase the wall attachment that fit your wall. If unsure, seek professional advice. Please read and follow each step of the instructions carefully.

IMPORTANT !

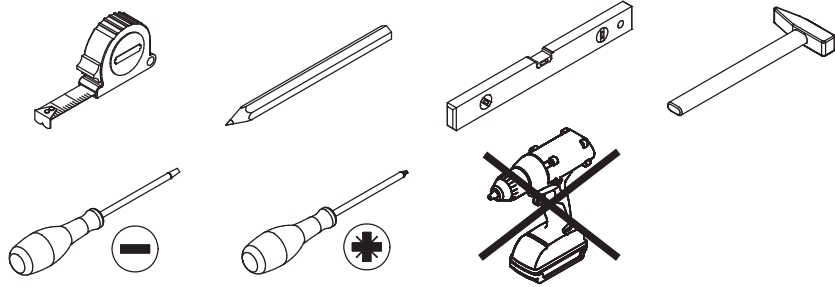
It is important that any product which is assembled using any kind of screw is re-tightened 2 weeks after assembly, and once every 3 months - in order to assure stability through-out the lifespan of the product.

For regular maintenance and cleaning of the product, for the frame, please use a rag dipped in neutral detergent to fully wipe it, and then dry it with a clean rag. For glass materials, wipe with a rag dampened with water glass cleaner, and then dry with a dry rag.

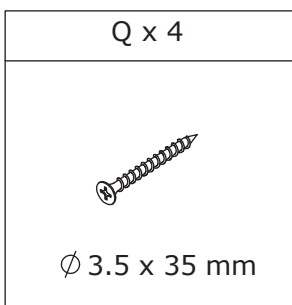
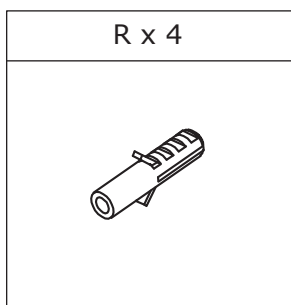
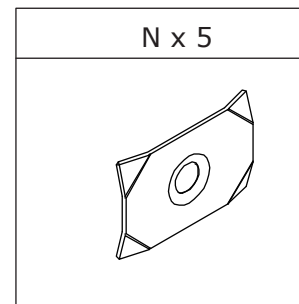
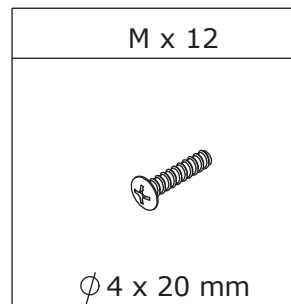
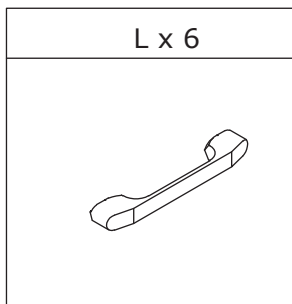
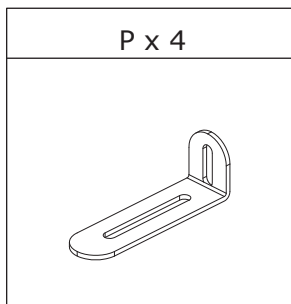
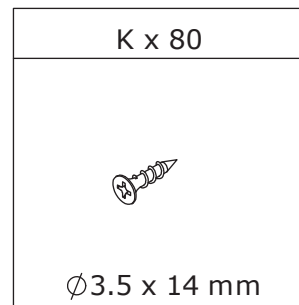
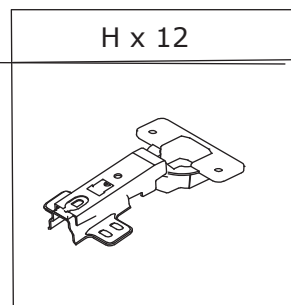
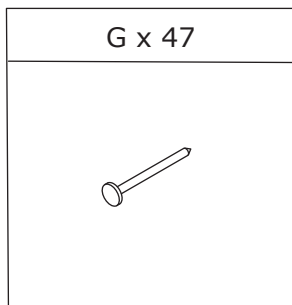
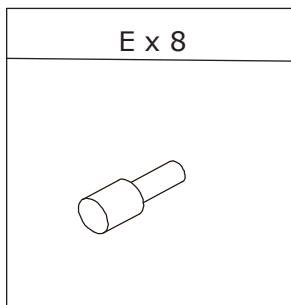
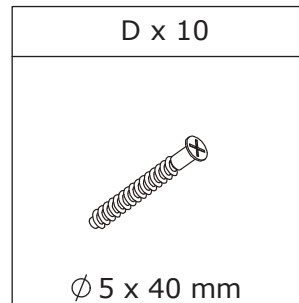
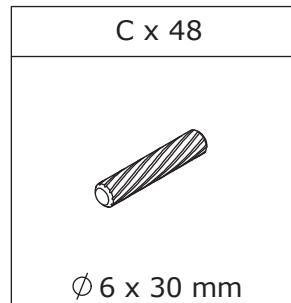
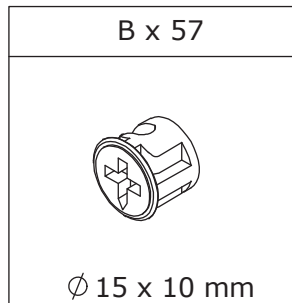
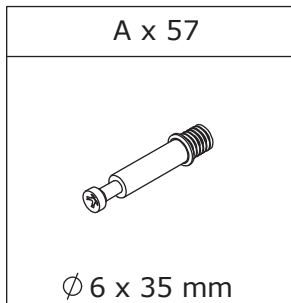
Do not use an electric screwdriver, and do not use too much force when installing, because the board is easy to break.

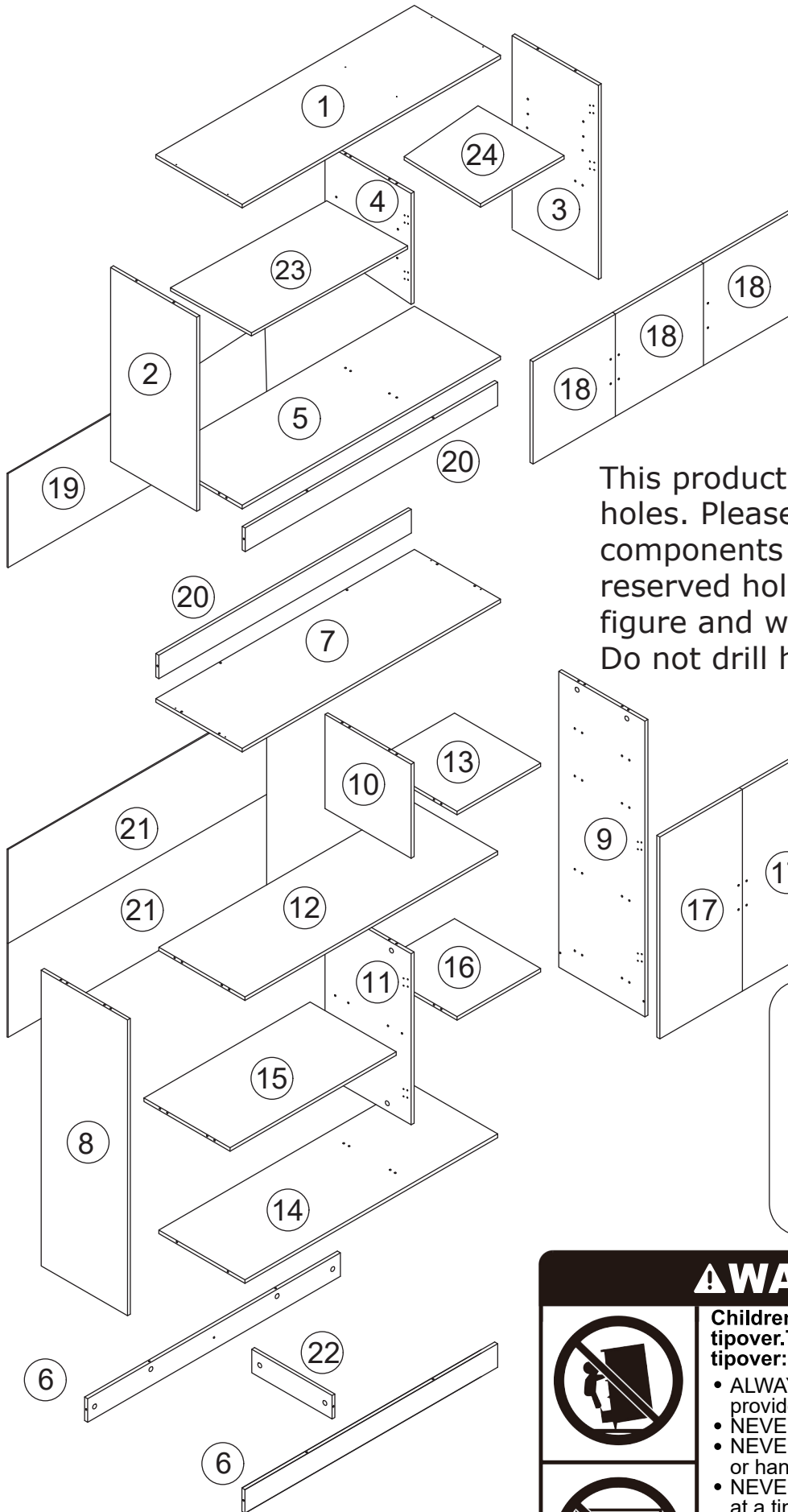


Please prepare the following tools

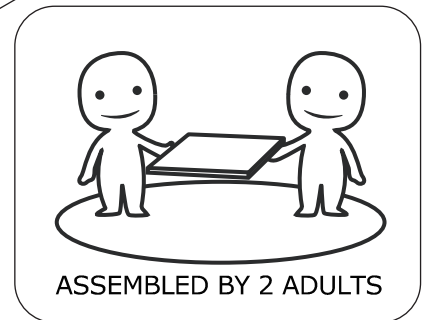
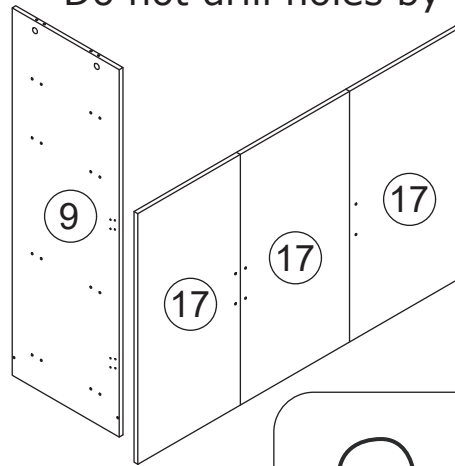


When installing, please carefully confirm whether each screw corresponds to the manual, accessories with similar shapes can be distinguished by size





This product have all reserved holes. Please install hardware components in the correct reserved holes according to the figure and written instructions. Do not drill holes by yourself.



! WARNING

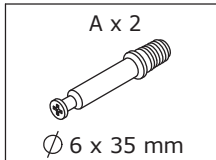


Children have died from furniture tipover. To reduce the risk of furniture tipover:

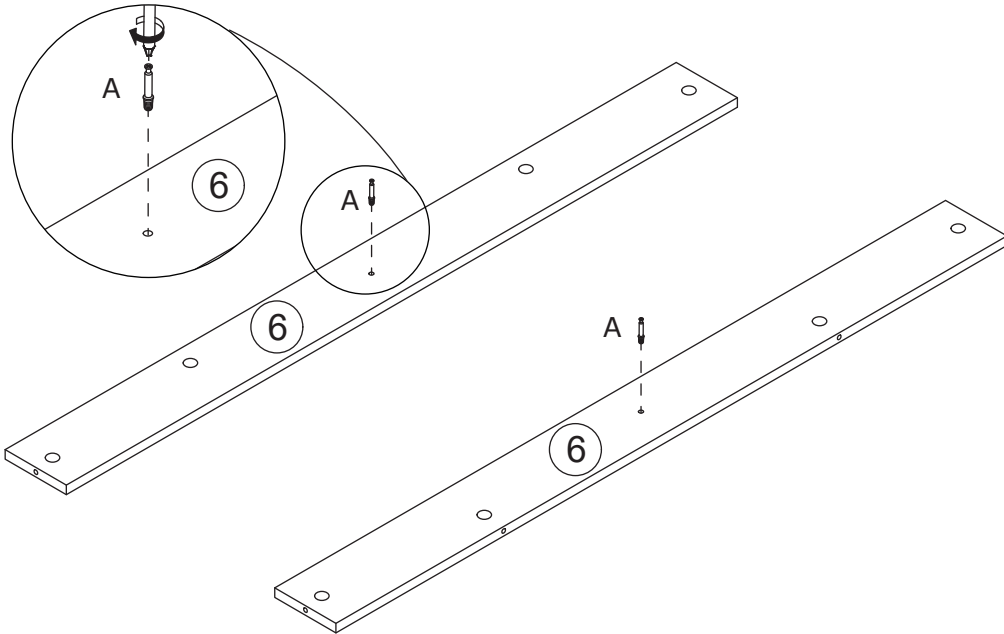
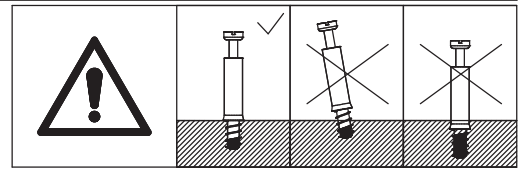
- ALWAYS install tipover restraint provided.
- NEVER put a TV on this product.
- NEVER allow children to stand, climb or hang on drawers, doors, or shelves.
- NEVER open more than one drawer at a time.
- Place heaviest items in the lowest drawers.

*This is a permanent label.
Do not remove!*

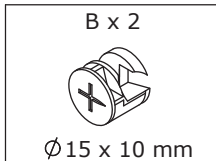
1



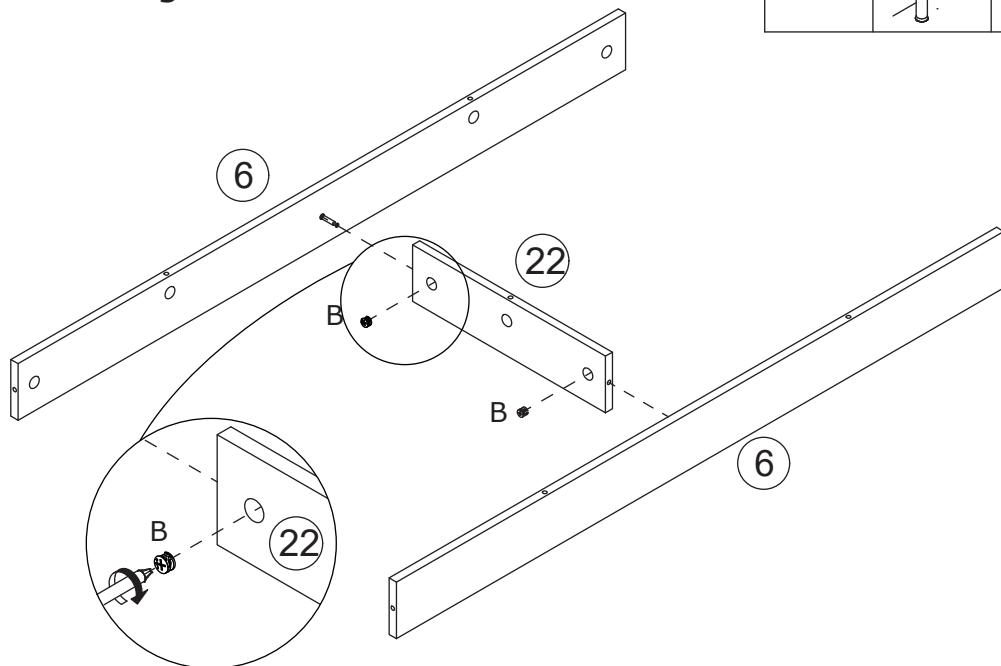
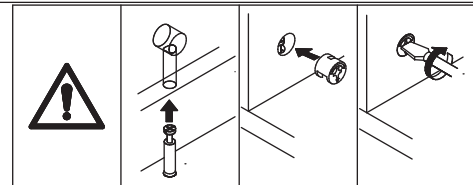
Insert quickfit screw(A) into corresponding holes in two plate 6 with a screwdriver as shown.



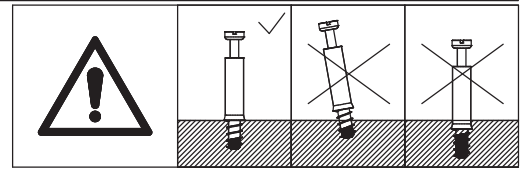
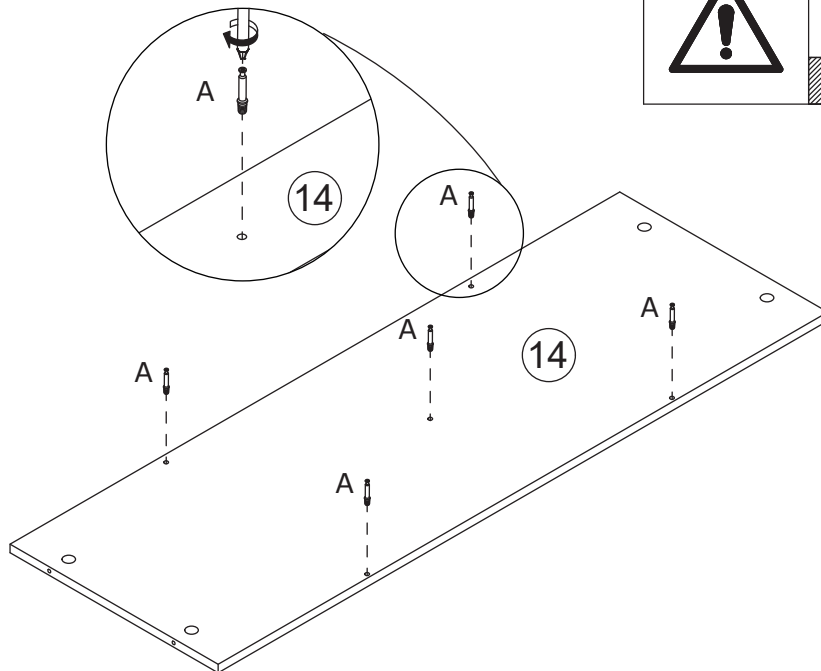
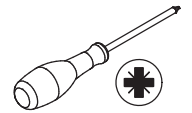
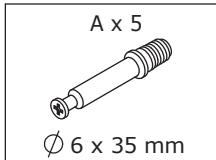
2



Connect plate 6 with plate 22, put cam lock(B) into holes in plate 22 and turn clockwise to tighten as shown.

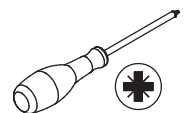
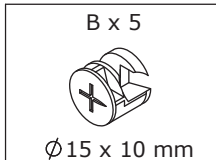


3

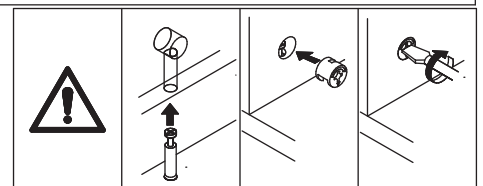
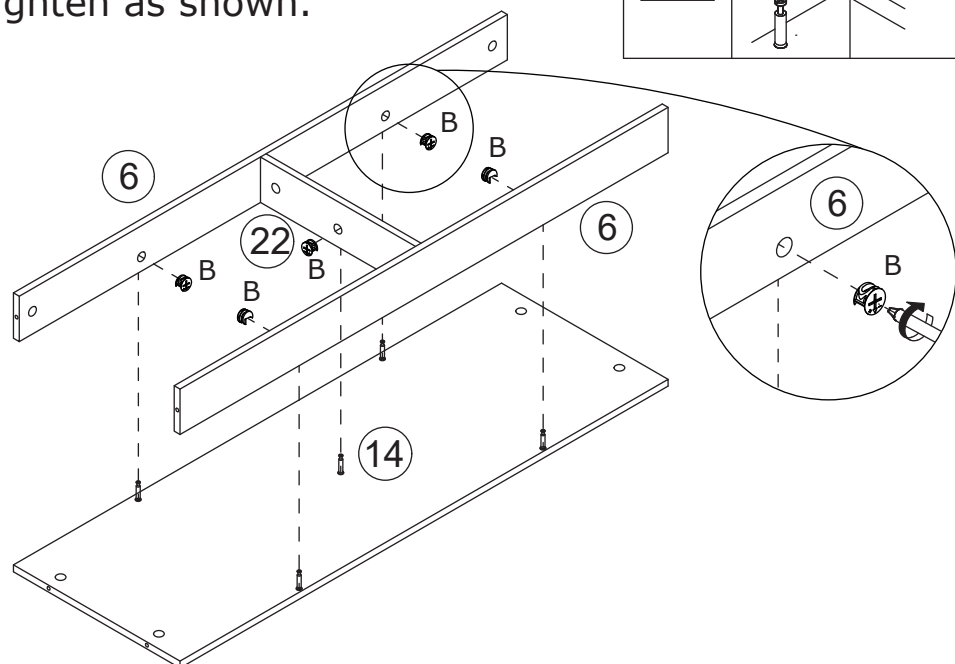


Insert quickfit screw(A) into corresponding holes in plate 14 with a screwdriver as shown.

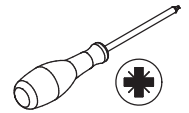
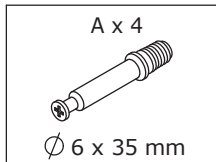
4



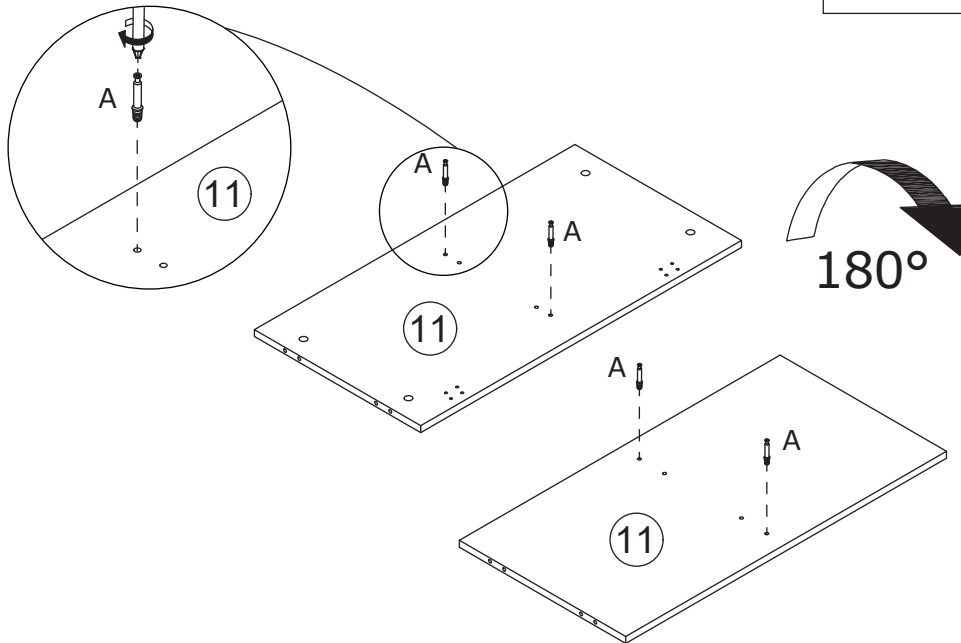
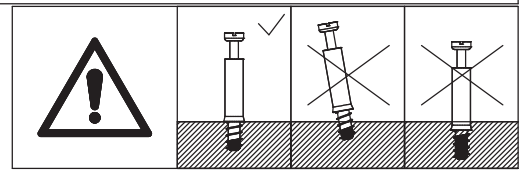
Attach the component to plate 14, put cam lock(B) into holes in plate 22,6 and turn clockwise to tighten as shown.



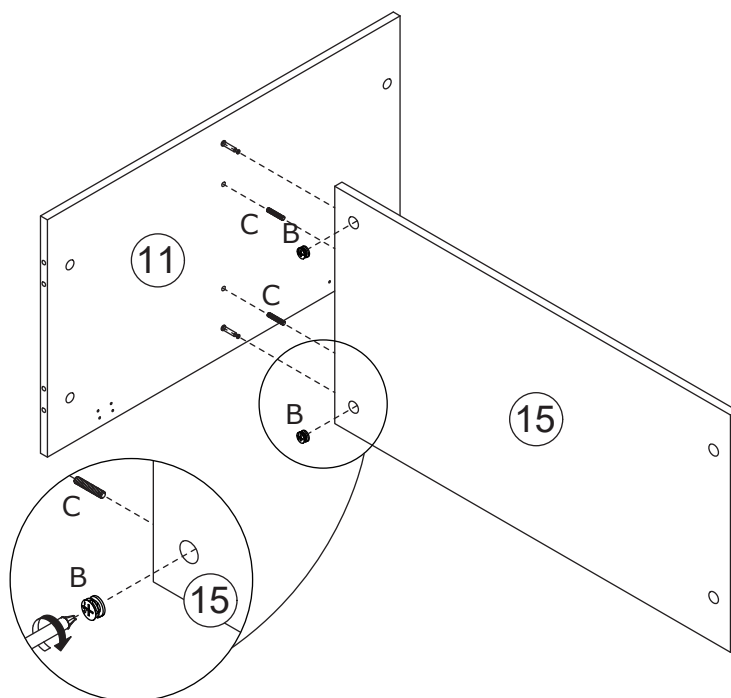
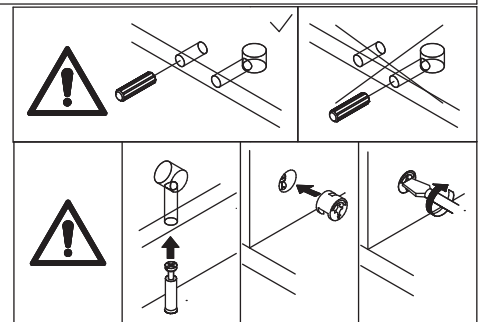
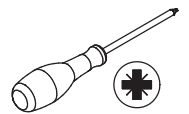
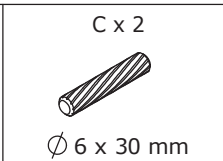
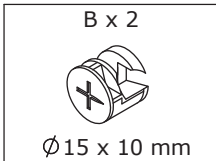
5



Insert quickfit screw(A) into corresponding holes in plate 11 at first.
Flip the plate, insert quickfit screw(A) as well.

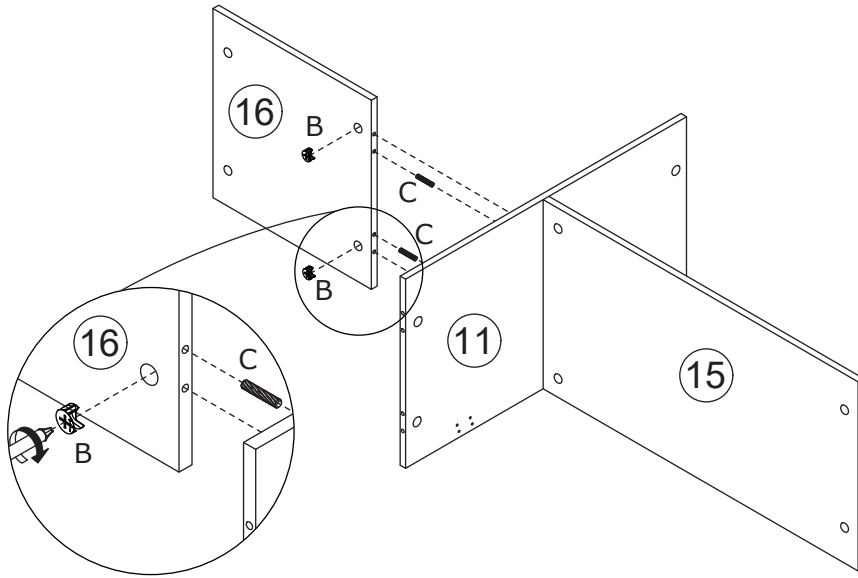
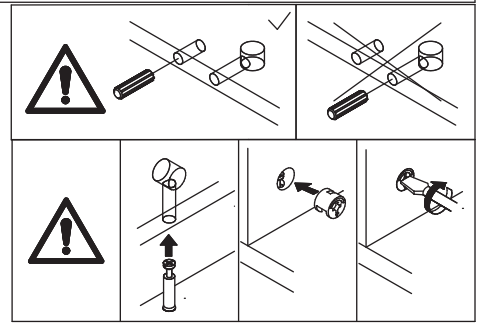
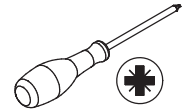
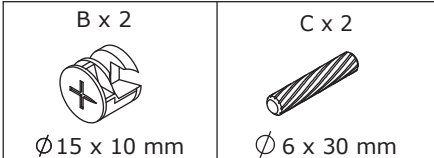


6



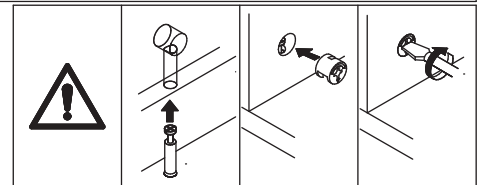
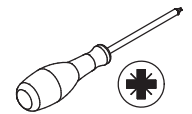
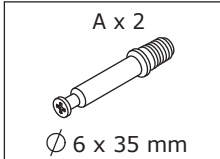
Attach plate 15 to plate 11 with wooden dowel(C), put cam lock(B) into holes in plate 15 and turn clockwise to tighten as shown.

7

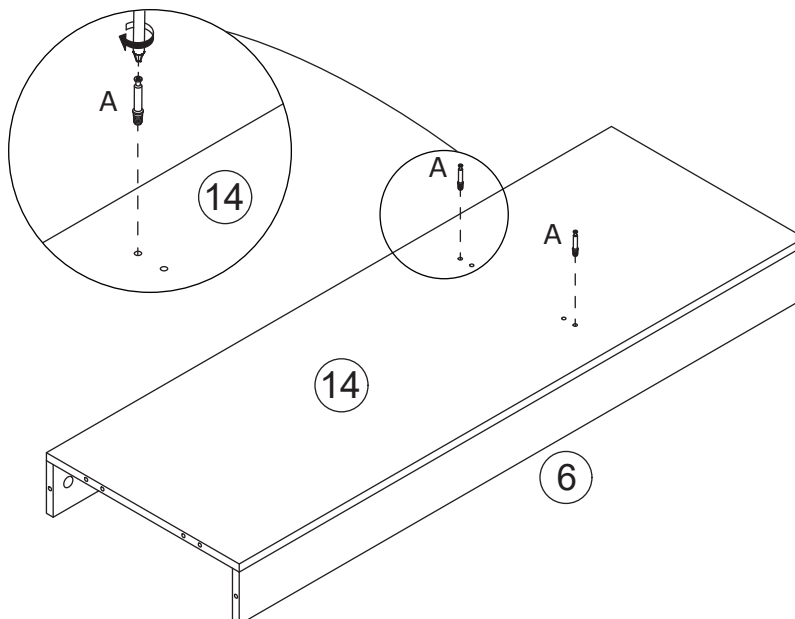


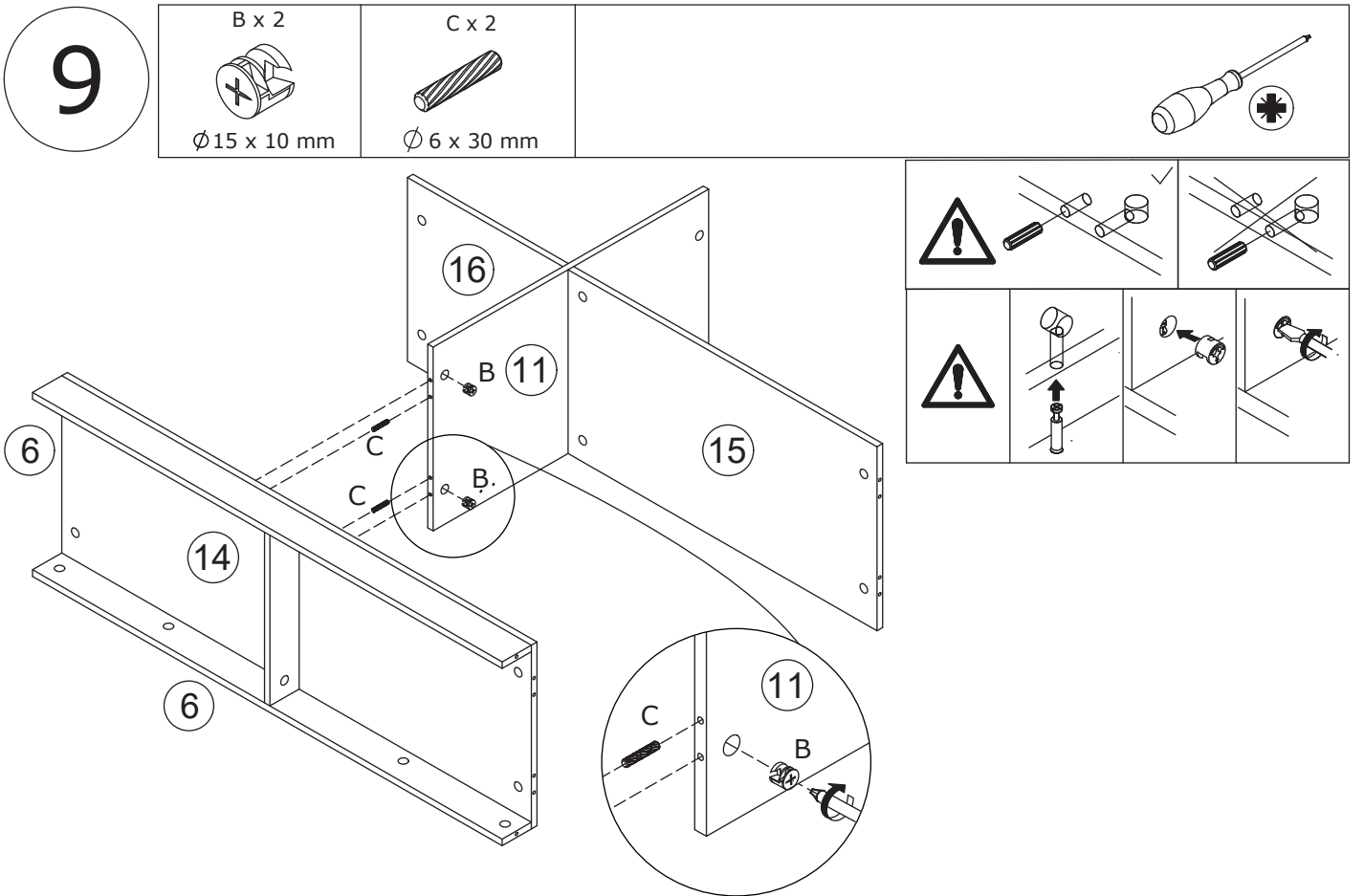
Attach plate 16 to plate 11 with wooden dowel(C), put cam lock(B) into holes in plate 16 and turn clockwise to tighten as shown.

8

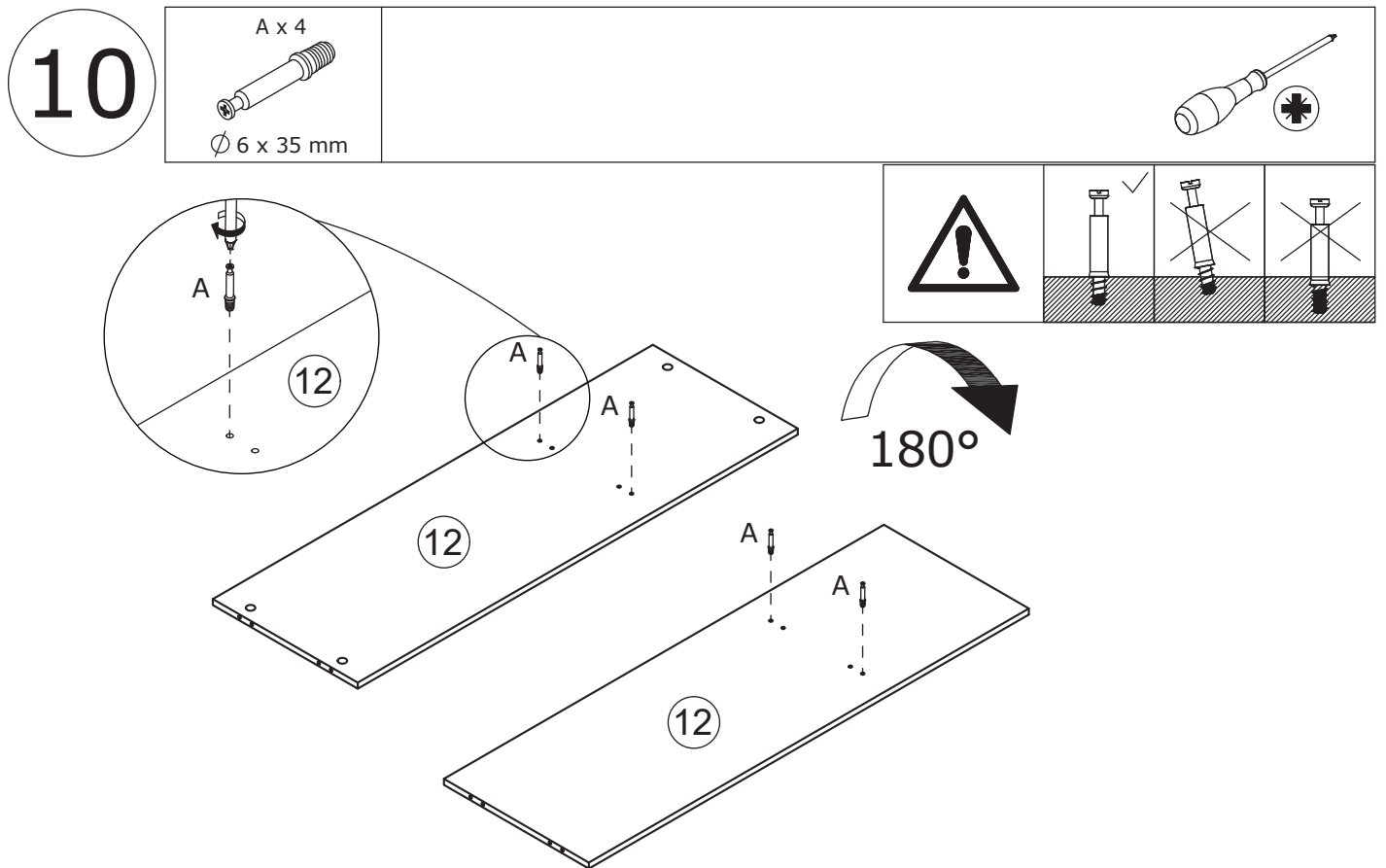


Insert quickfit screw(A) into corresponding holes in plate 14 as shown.



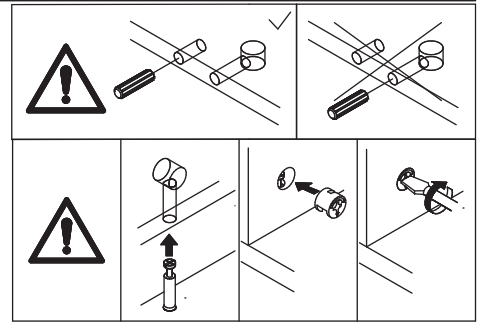
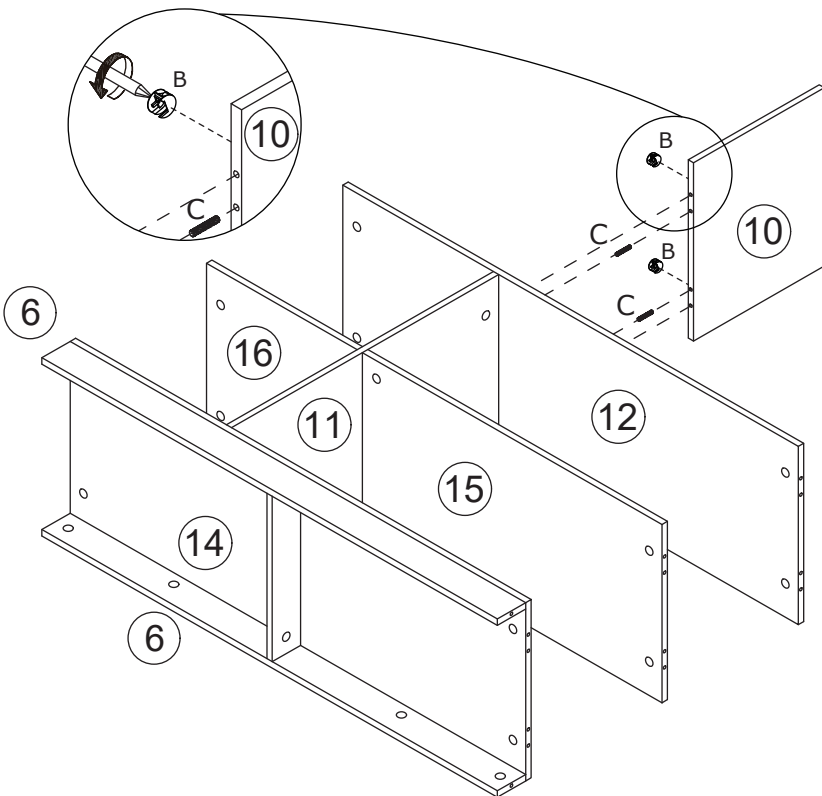
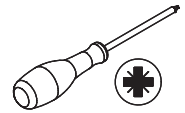
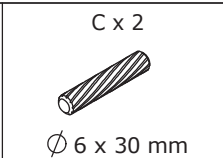
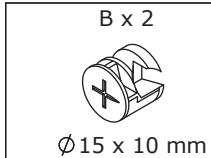


Attach plate 14 to plate 11 with wooden dowel(C), put cam lock(B) into holes in plate 11 and turn clockwise to tighten as shown.



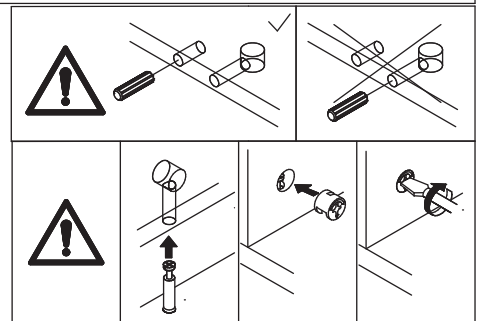
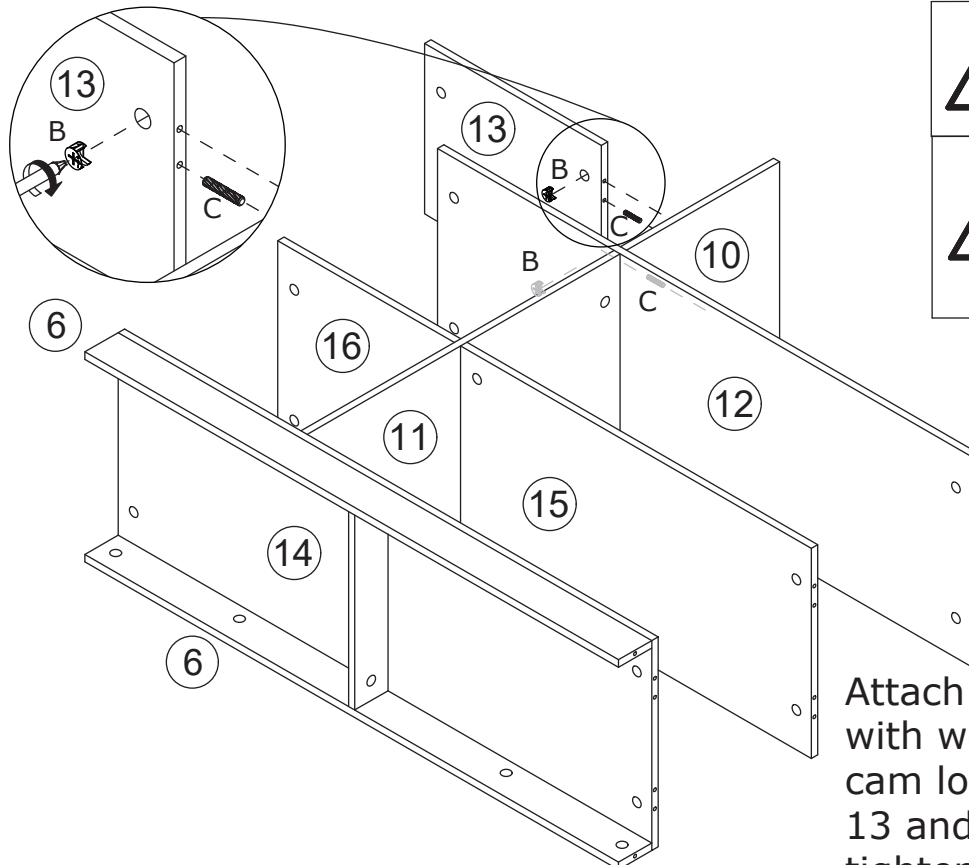
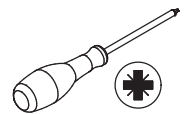
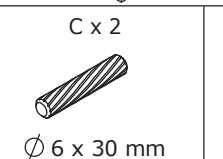
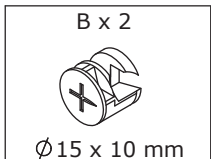
Insert quickfit screw(A) into corresponding holes in plate 12 at first. Flip the plate, insert quickfit screw(A) as well.

13



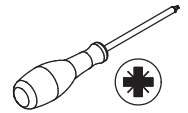
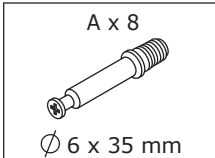
Attach plate 10 to plate 12 with wooden dowel(C), put cam lock(B) into holes in plate 10 and turn clockwise to tighten as shown.

14

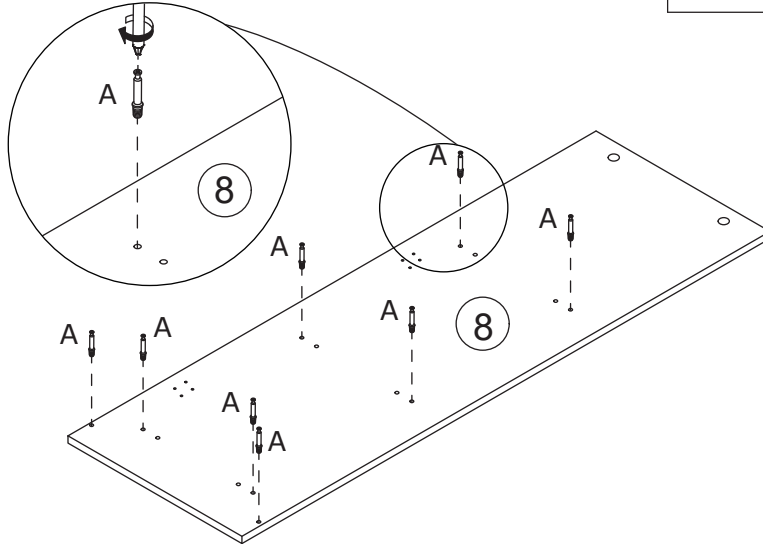
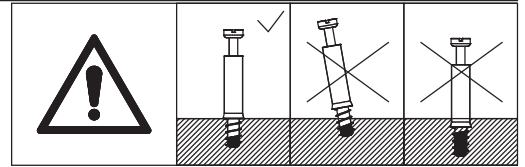


Attach plate 13 to plate 10 with wooden dowel(C), put cam lock(B) into holes in plate 13 and turn clockwise to tighten as shown.

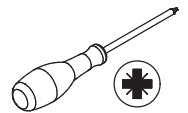
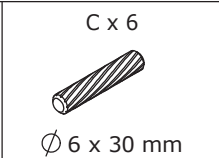
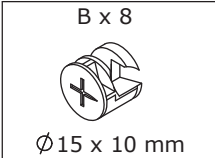
15



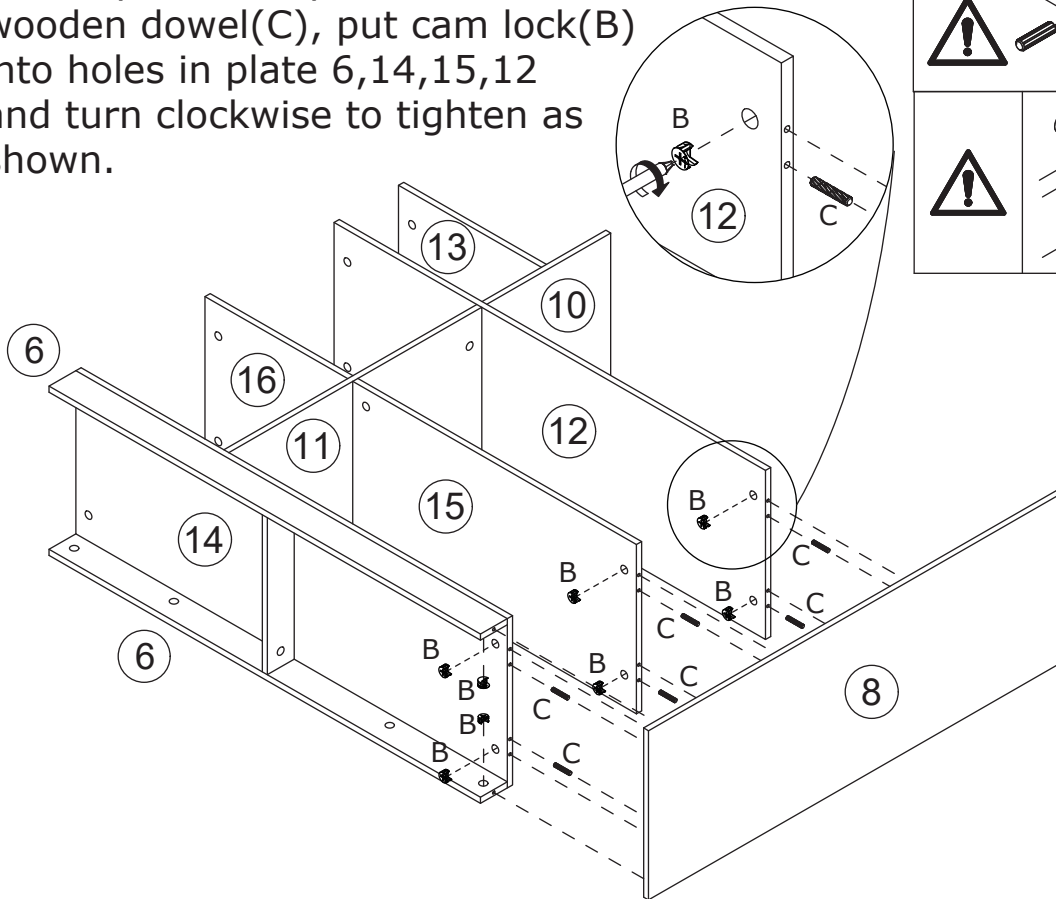
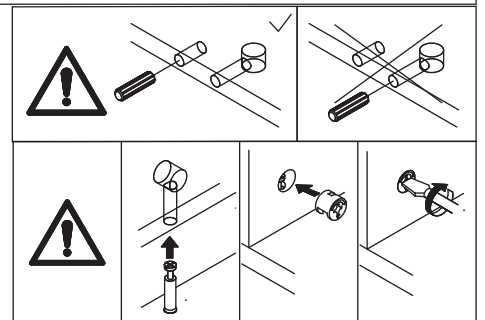
Insert quickfit screw(A) into corresponding holes in plate 8 as shown.



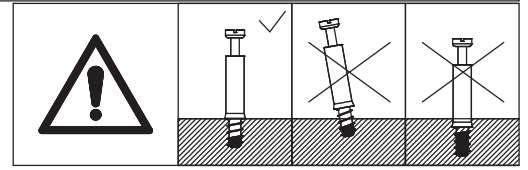
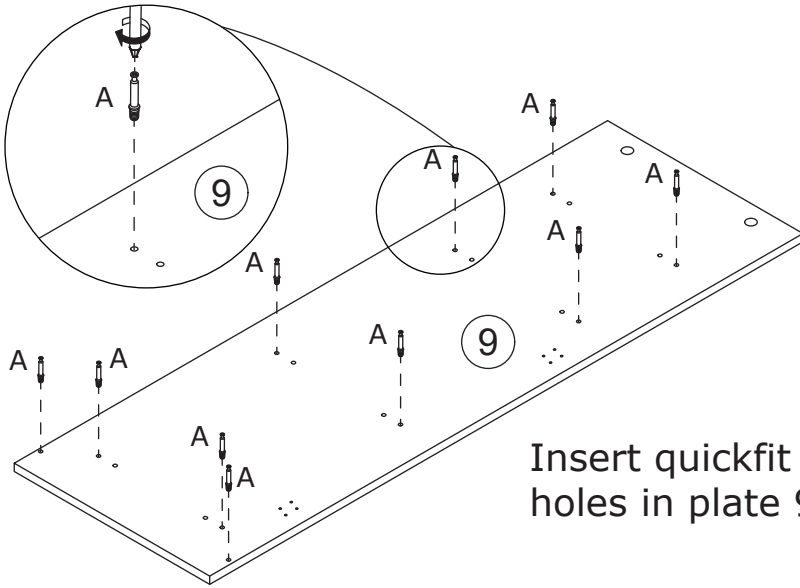
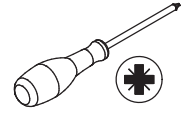
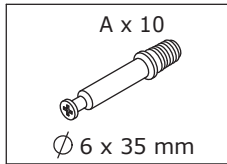
16



Attach plate 8 to plate 6,14,15 and 12 with wooden dowel(C), put cam lock(B) into holes in plate 6,14,15,12 and turn clockwise to tighten as shown.

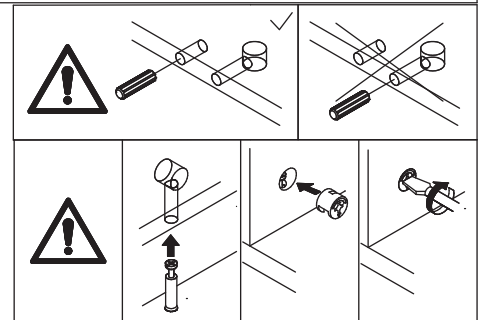
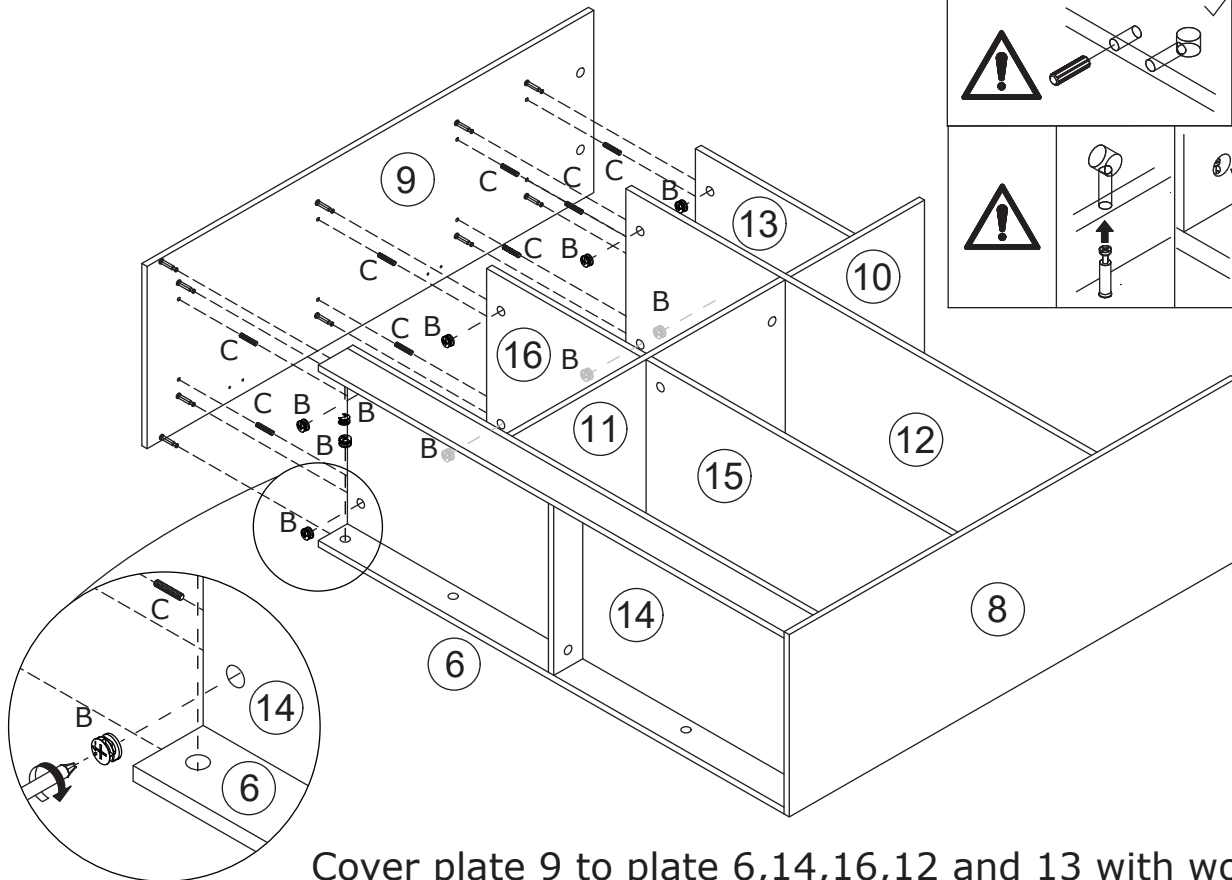
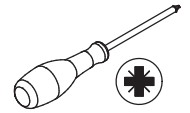
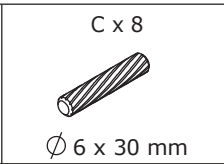
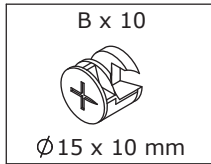


17



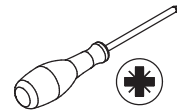
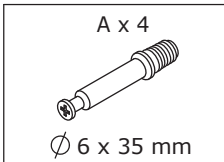
Insert quickfit screw(A) into corresponding holes in plate 9 as shown.

18

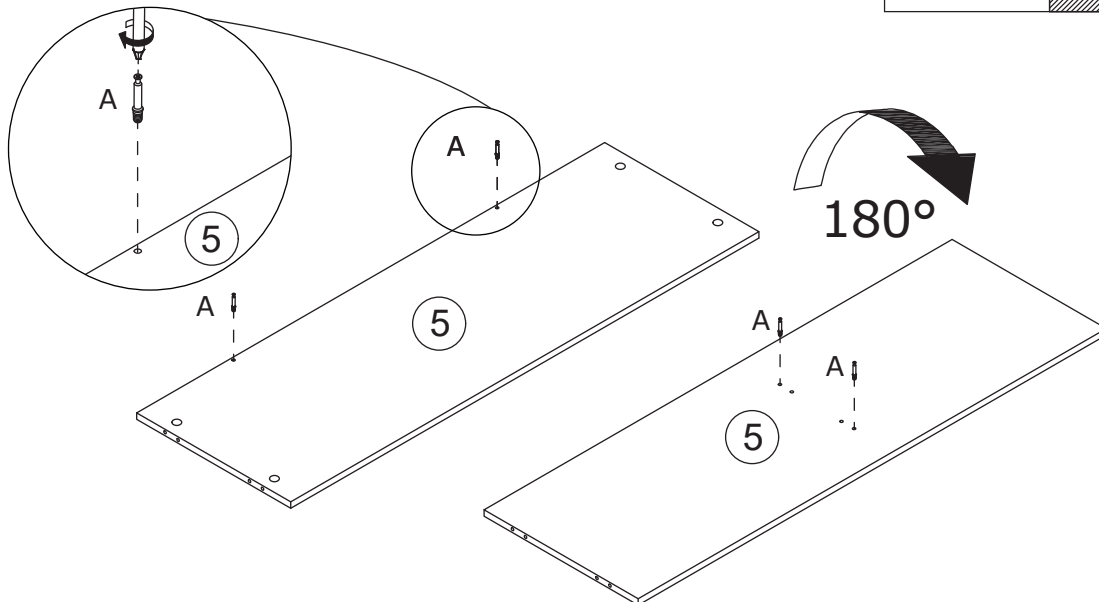
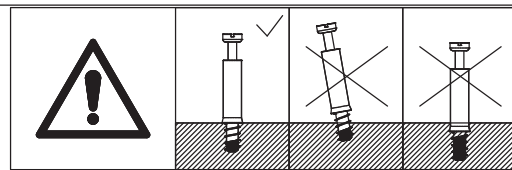


Cover plate 9 to plate 6,14,16,12 and 13 with wooden dowel(C), put cam lock(B) into holes in plate 6,14,16,12, 13 and turn clockwise to tighten as shown.

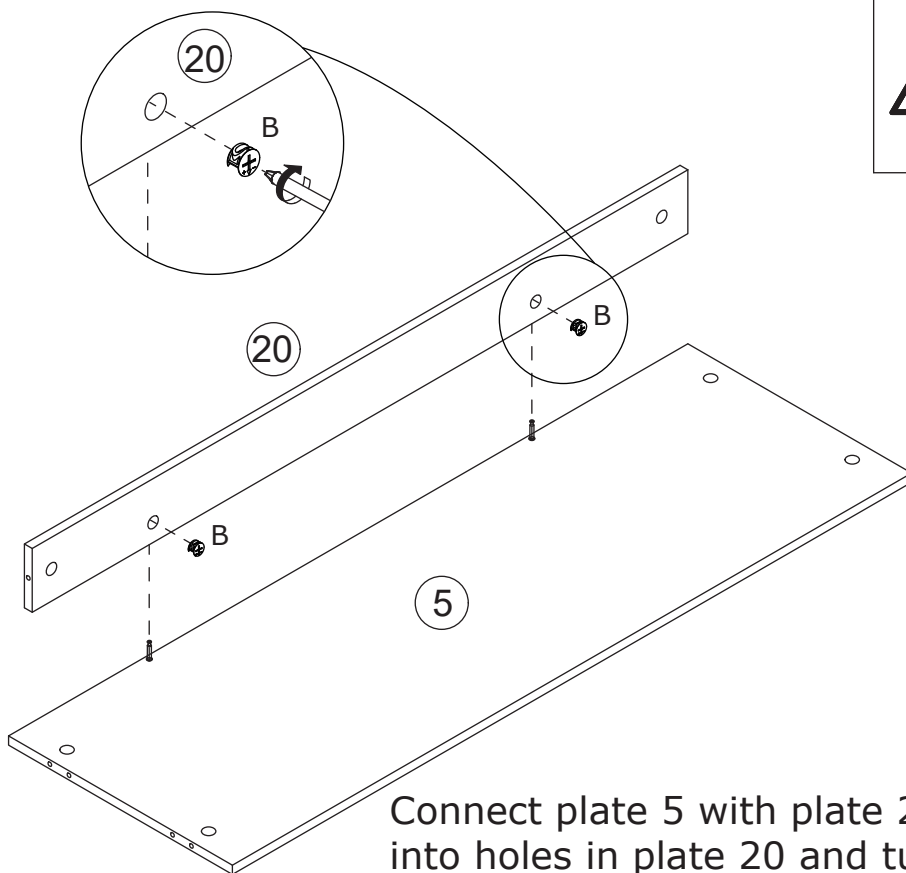
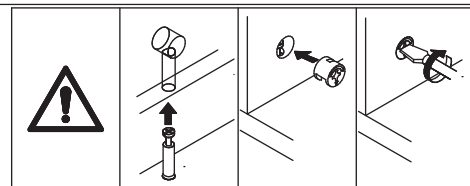
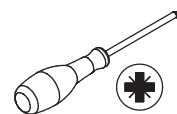
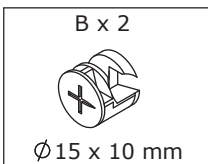
19



Insert quickfit screw(A) into corresponding holes in plate 5 at first.
Flip the plate, insert quickfit screw(A) as well.

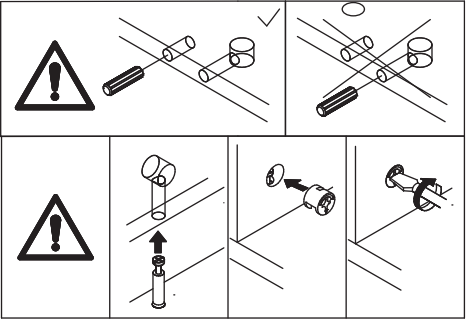
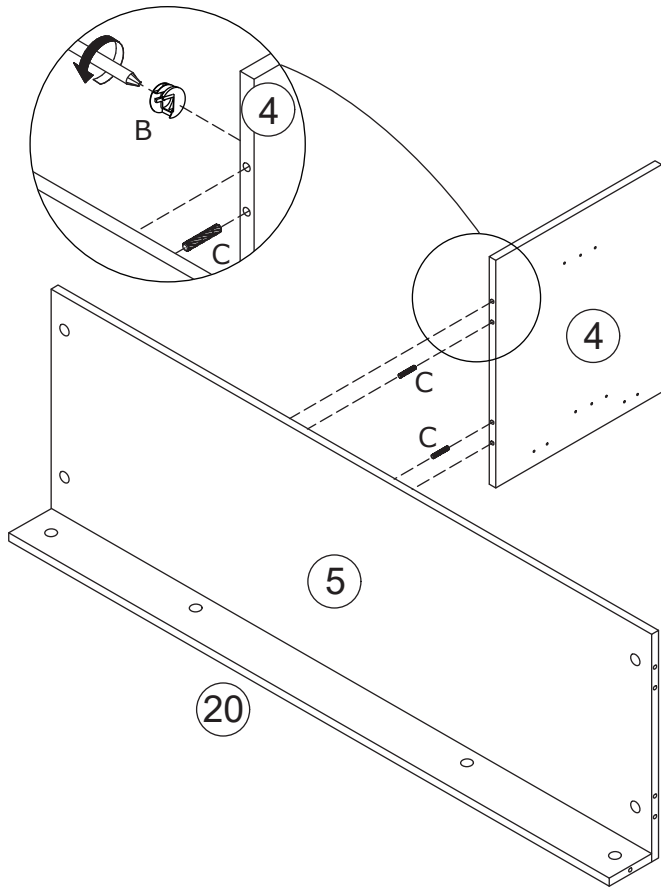
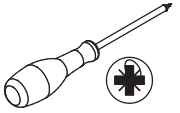
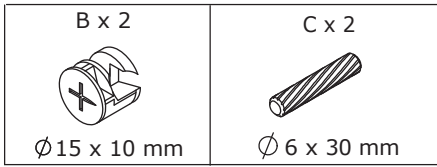


20



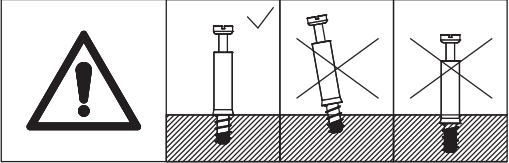
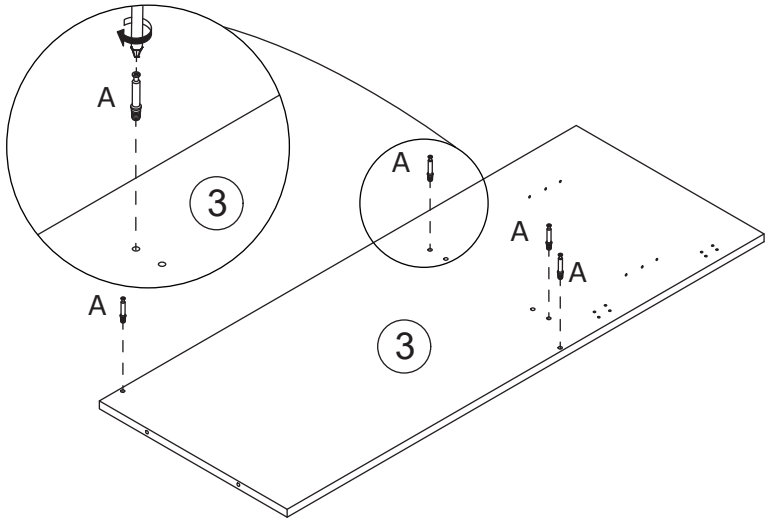
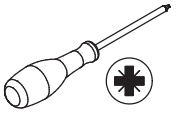
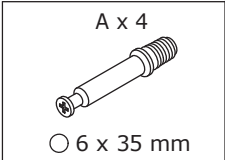
Connect plate 5 with plate 20, put cam lock(B) into holes in plate 20 and turn clockwise to tighten as shown.

21



Attach plate 4 to plate 5 with wooden dowel(C), put cam lock(B) into holes in plate 4 and turn clockwise to tighten as shown.

22



Insert quickfit screw(A) into corresponding holes in plate 3 as shown.

23

B x 3

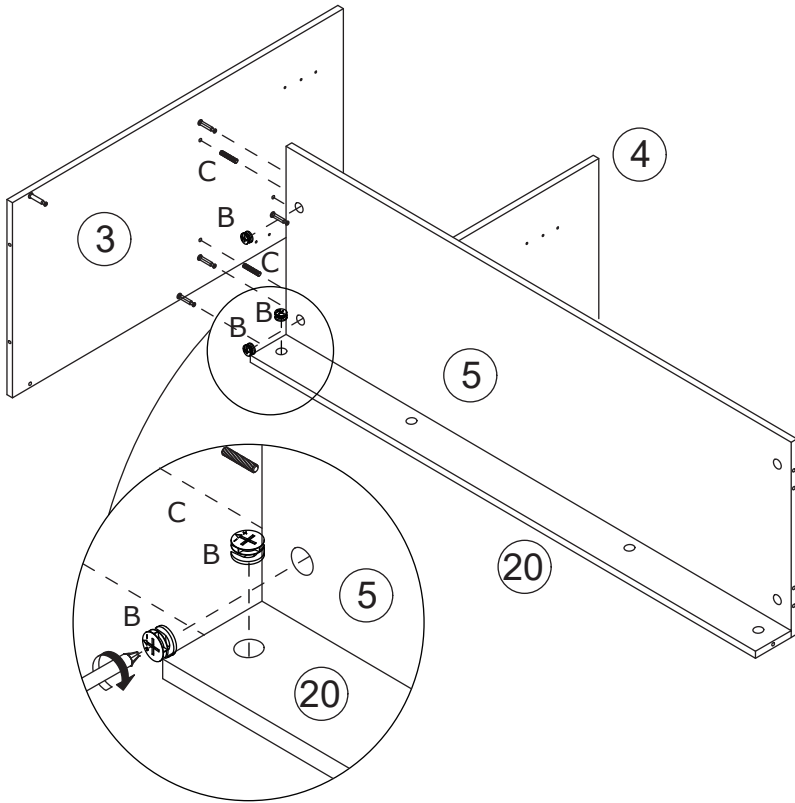
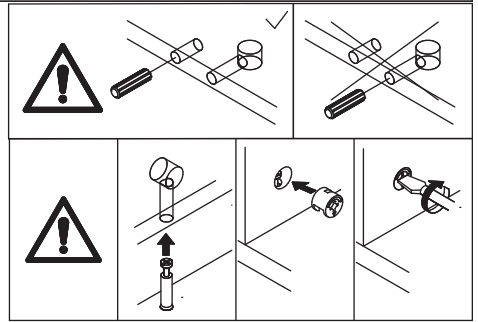
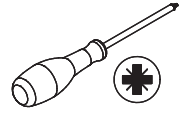


Ø 15 x 10 mm

C x 2



Ø 6 x 30 mm



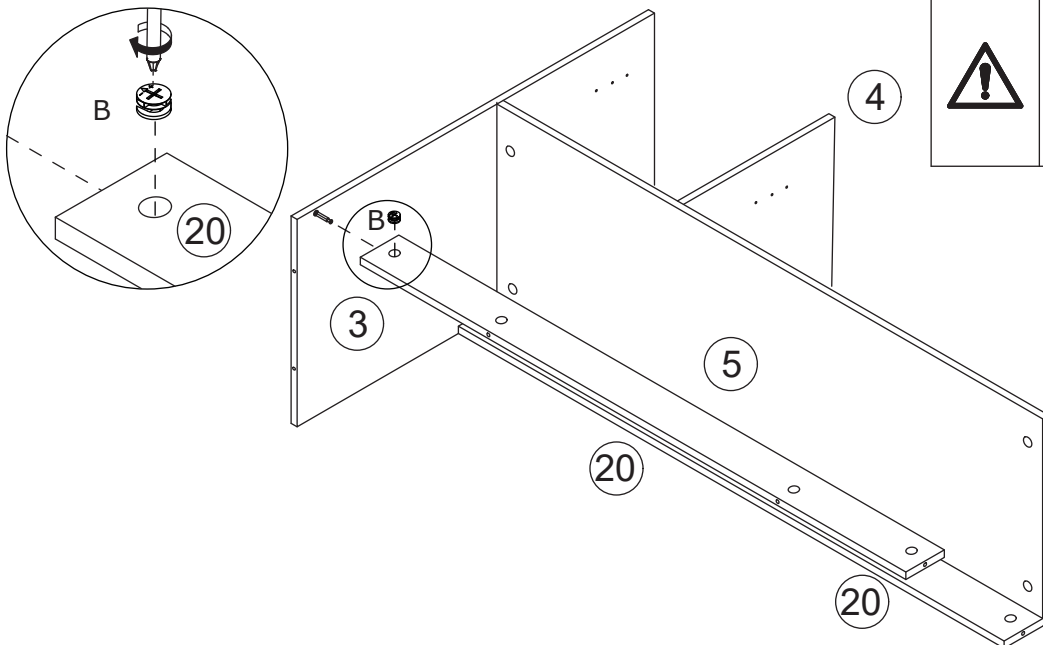
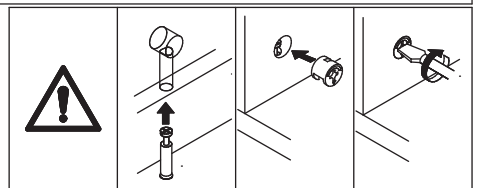
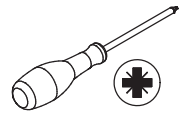
Cover plate 3 to plate 20,5 with wooden dowel(C), put cam lock(B) into holes in plate 20,5 and turn clockwise to tighten as shown.

24

B x 1

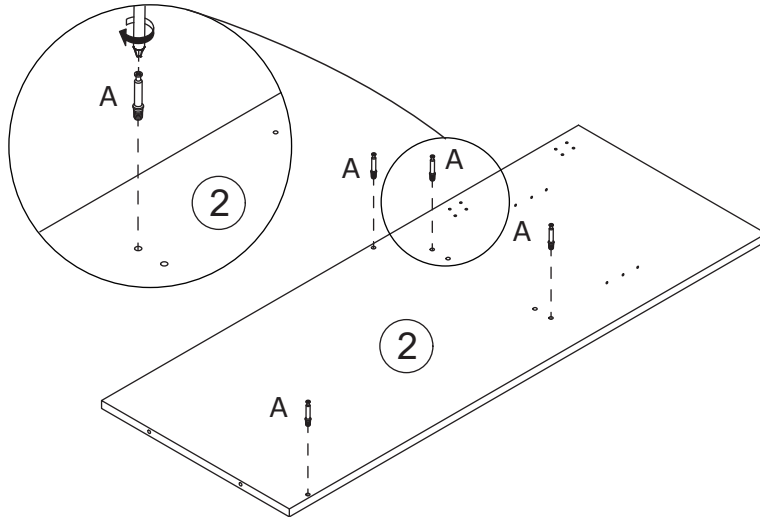
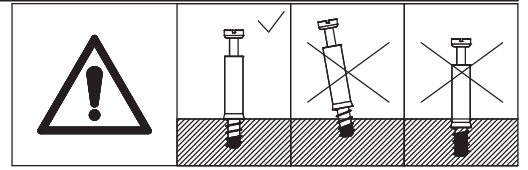
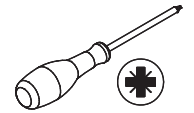
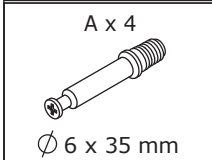


Ø 15 x 10 mm



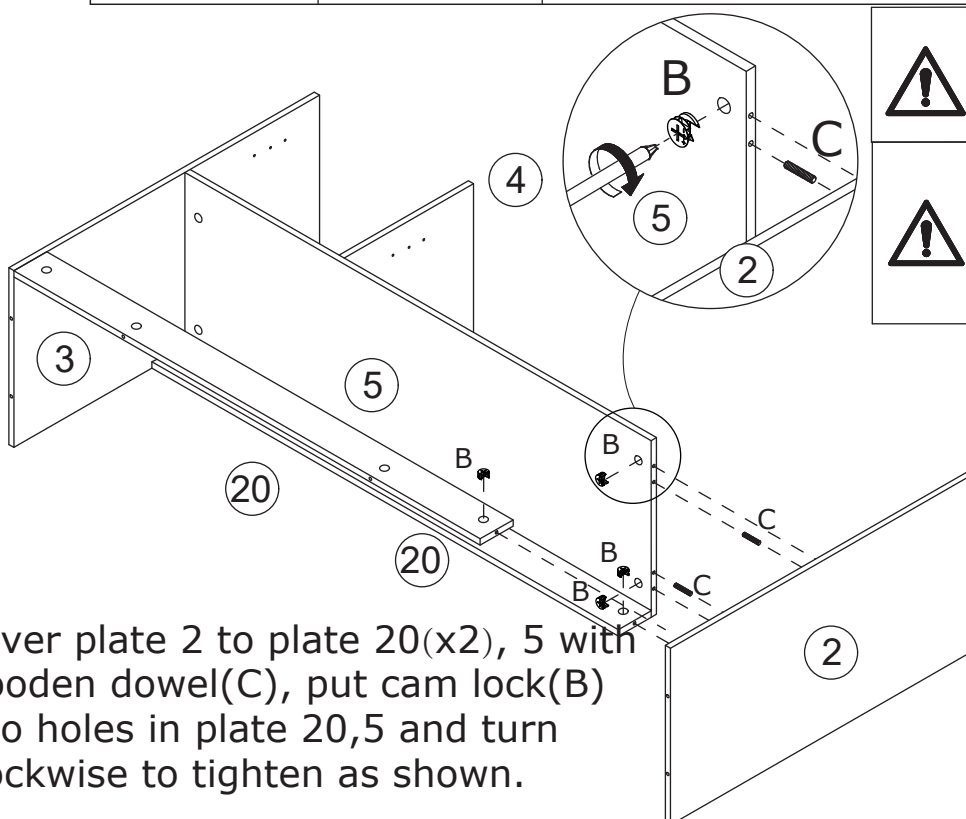
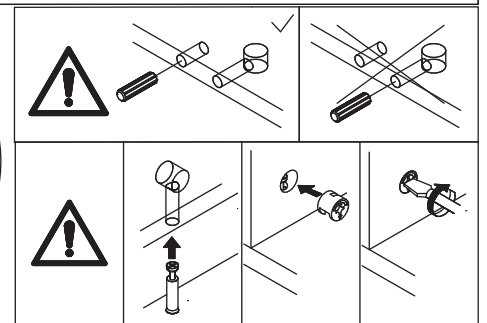
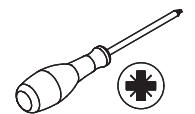
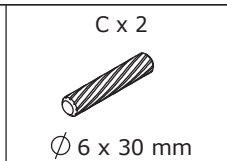
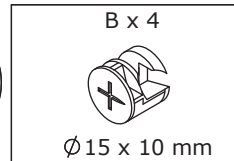
Attach plate 20 to plate 3, put cam lock(B) into holes in plate 20 and turn clockwise to tighten as shown.

25



Insert quickfit screw(A) into corresponding holes in plate 2 as shown.

26



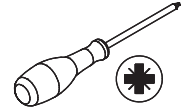
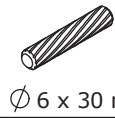
Cover plate 2 to plate 20(x2), 5 with wooden dowel(C), put cam lock(B) into holes in plate 20,5 and turn clockwise to tighten as shown.

27

D x 6

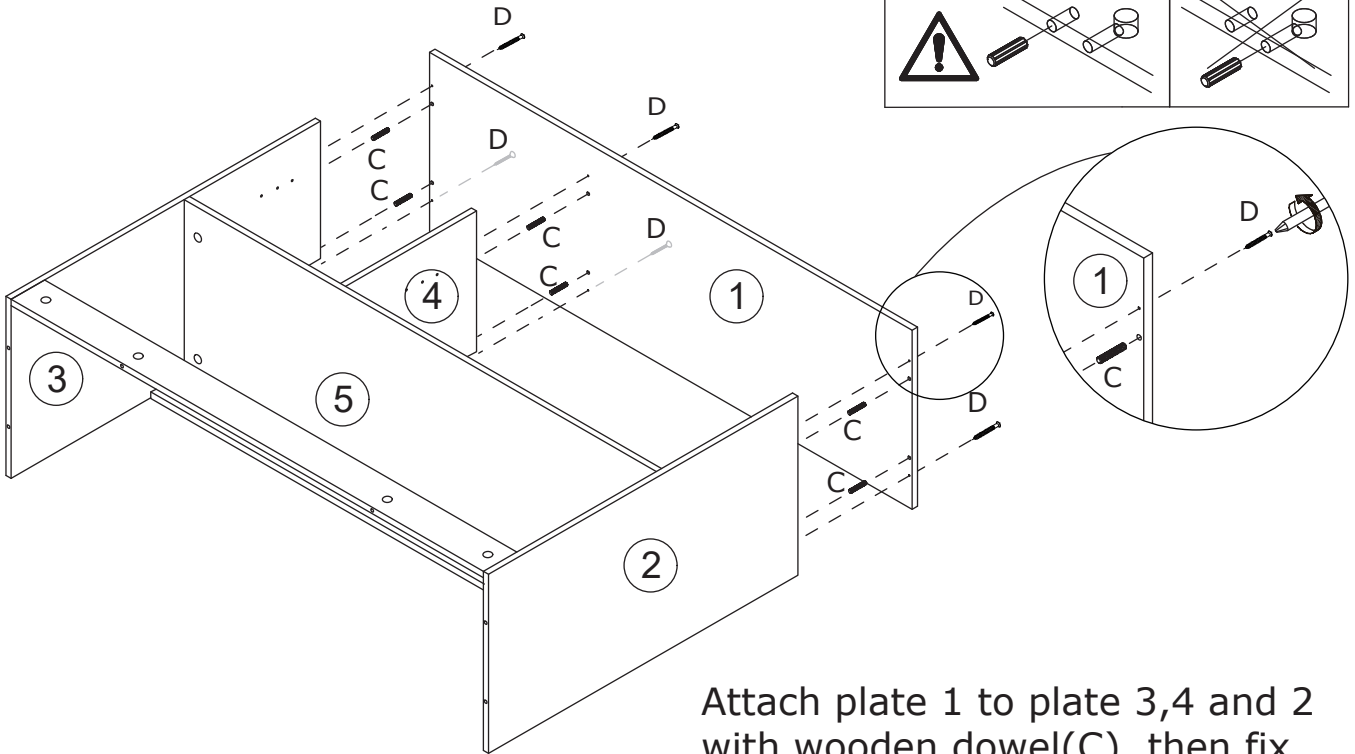
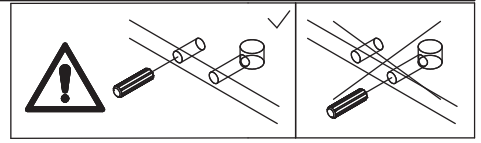


C x 6



Ø5 x 40 mm

Ø6 x 30 mm



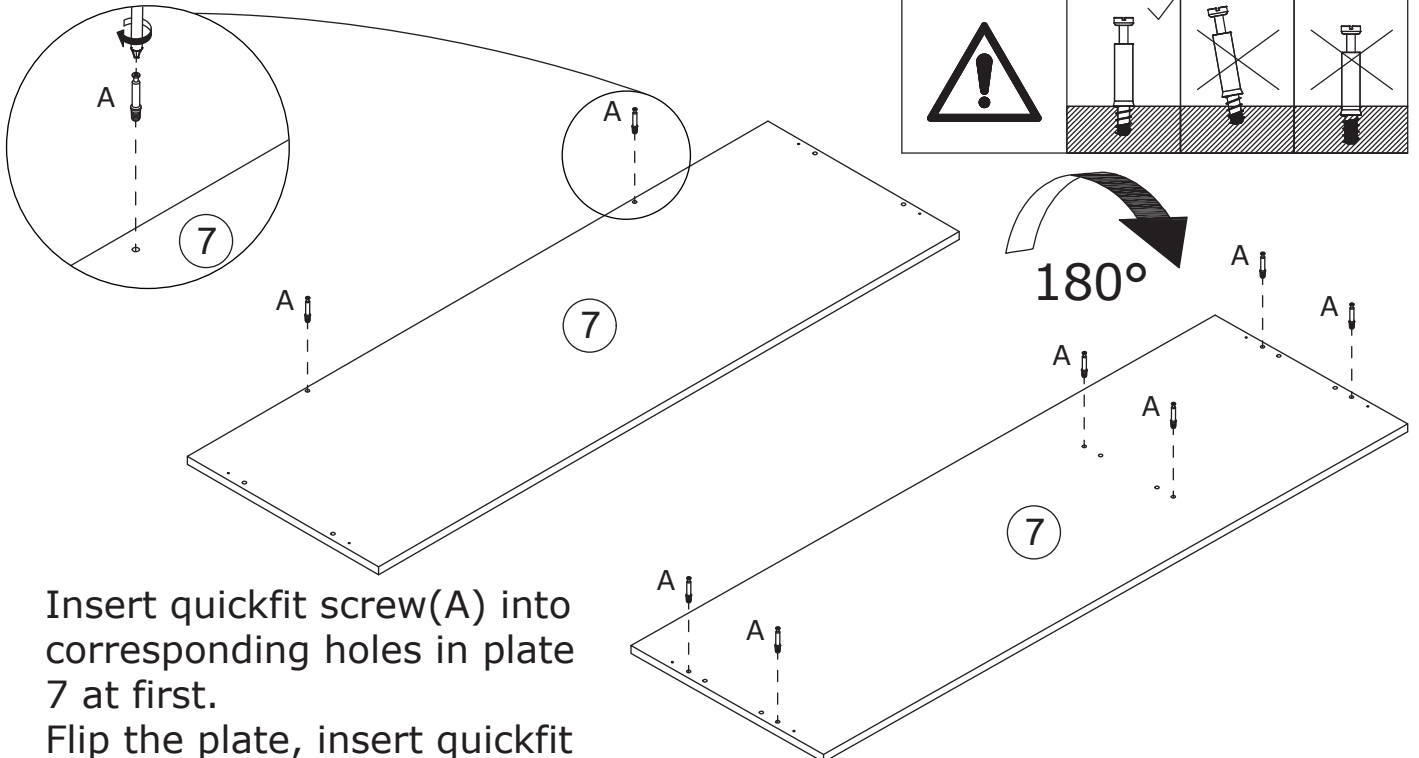
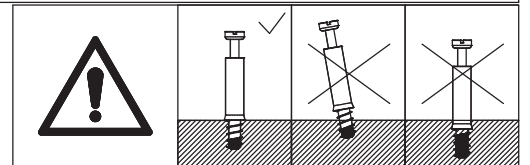
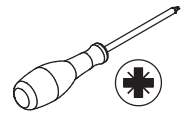
Attach plate 1 to plate 3,4 and 2 with wooden dowel(C), then fix using screw(D) as shown.

28

A x 8

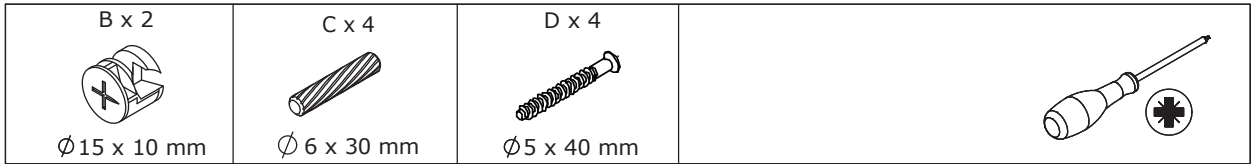


Ø6 x 35 mm



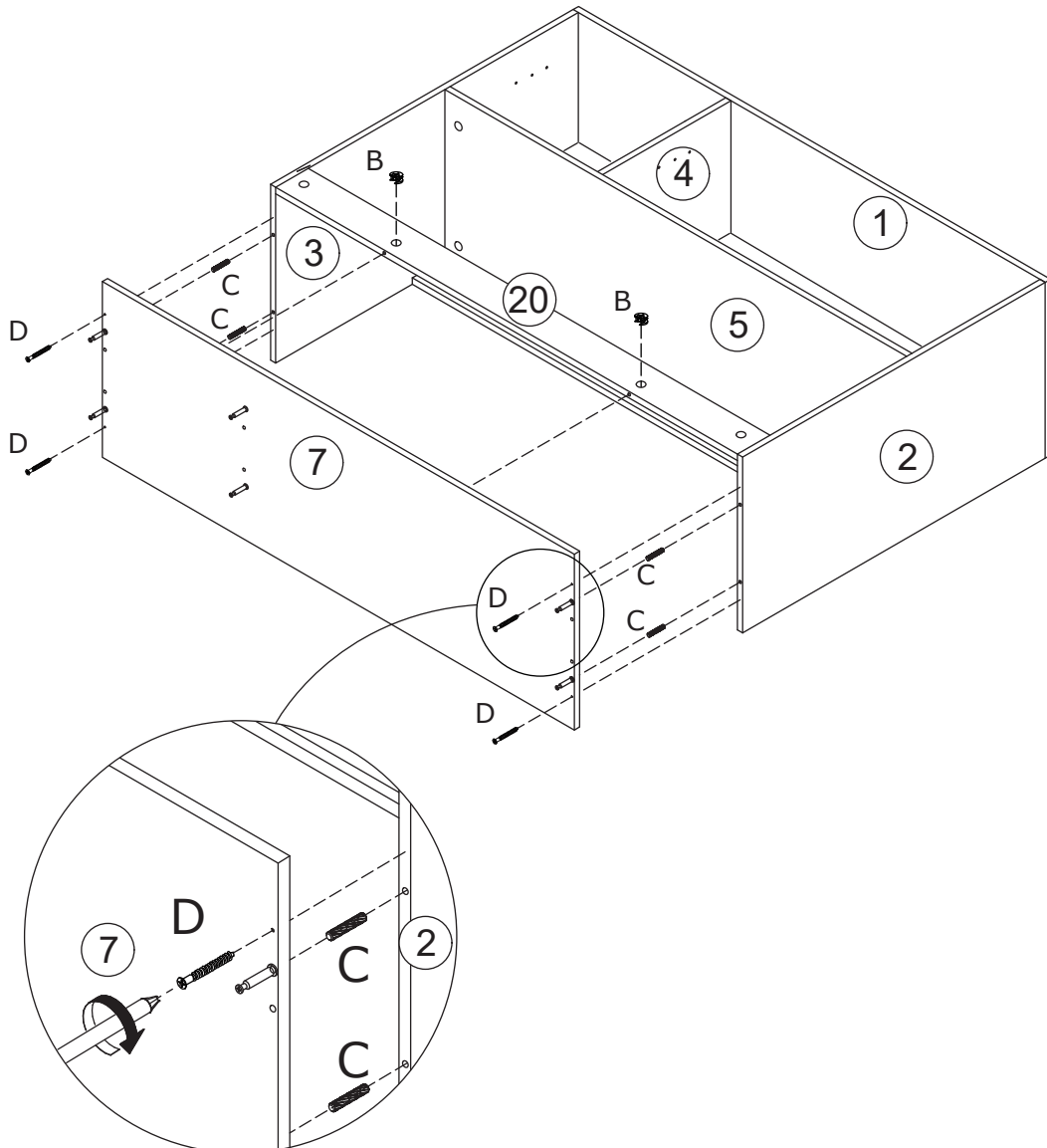
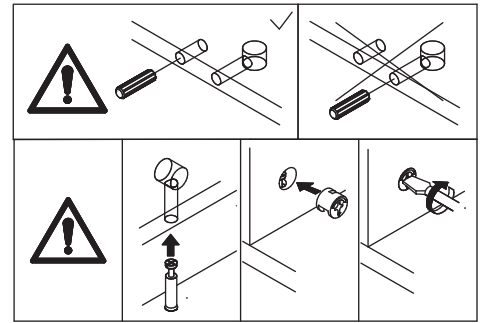
Insert quickfit screw(A) into corresponding holes in plate 7 at first.
Flip the plate, insert quickfit screw(A) as well.

29

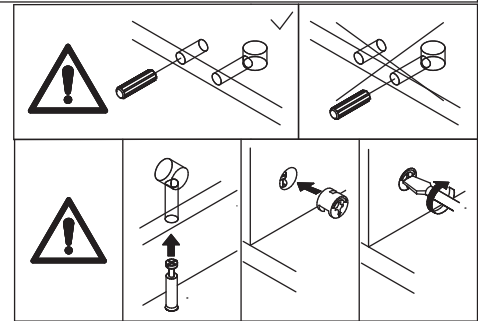
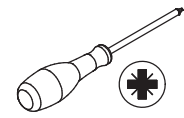
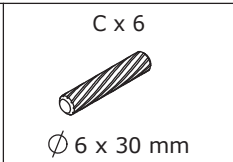
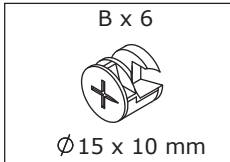


Attach plate 7 to plate 3 and 2 with wooden dowel(C), then fix using screw(D) as shown.

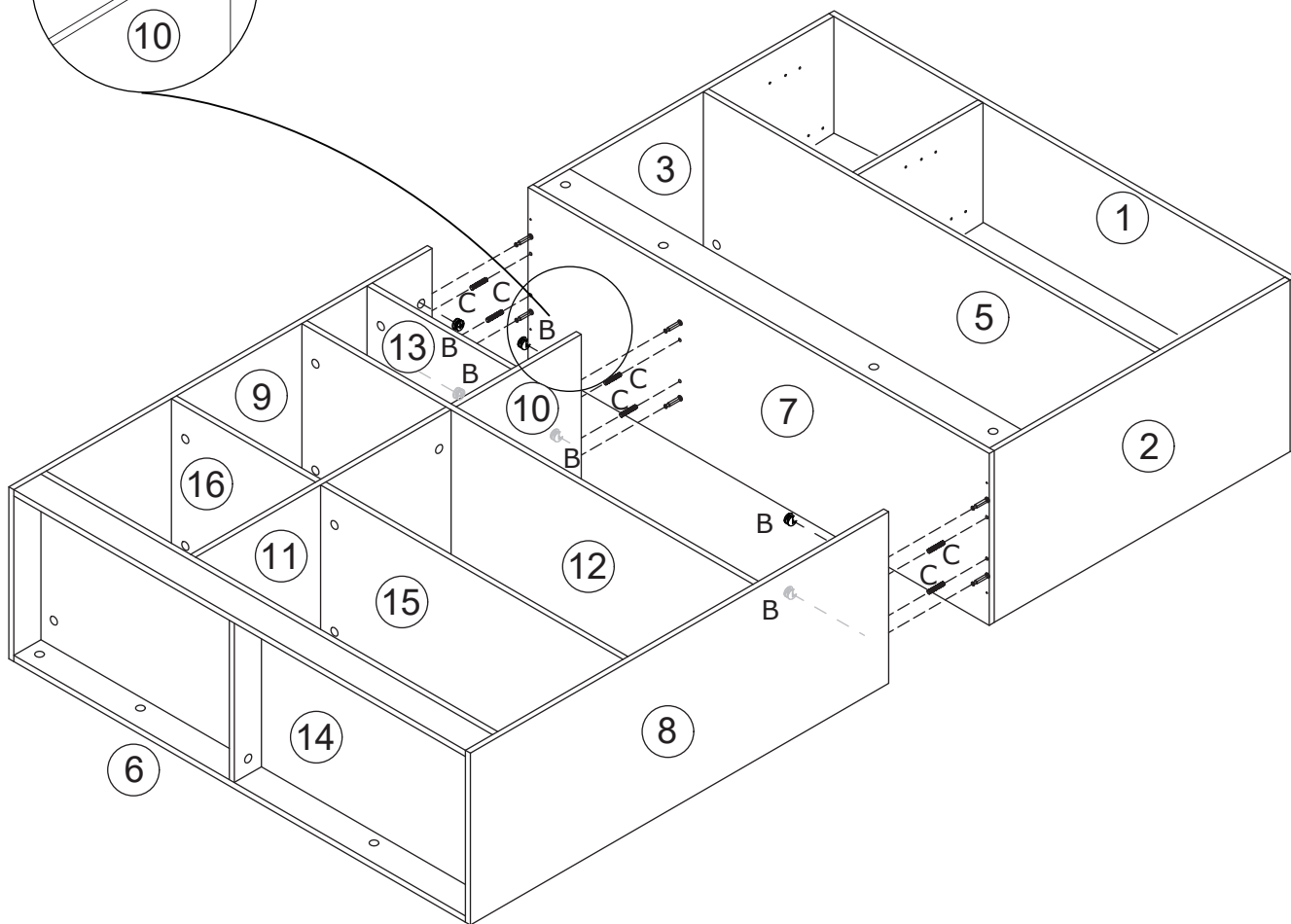
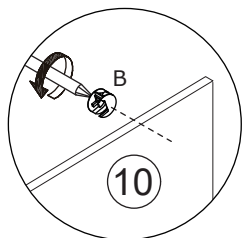
Add cam lock(B) into plate 20 and turn clockwise to tighten as shown.



30

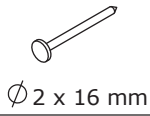


Connect the two assembled components with wooden dowel(C), put cam lock(B) into holes and turn clockwise to tighten as shown.

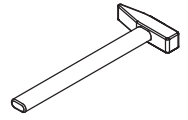


31

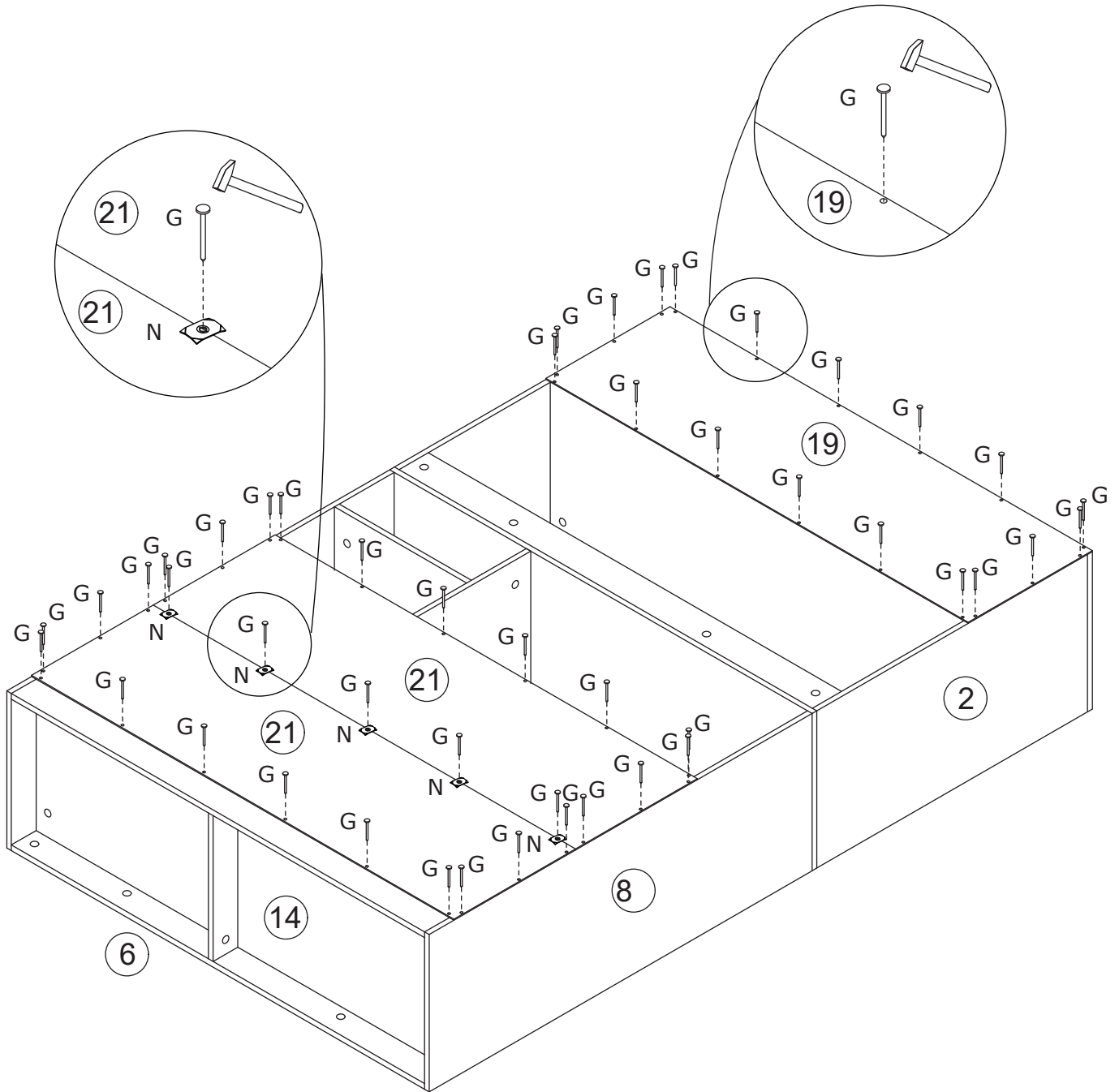
G x 47



N x 5

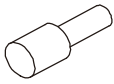


Fix back plate 19 and 21 using nail(G) as shown.
Fix each plate 21 together using part(N) with nail(G) as shown.

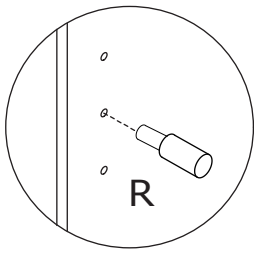


32

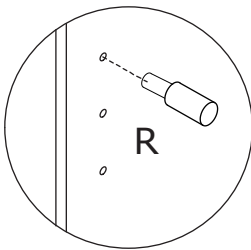
E x 8



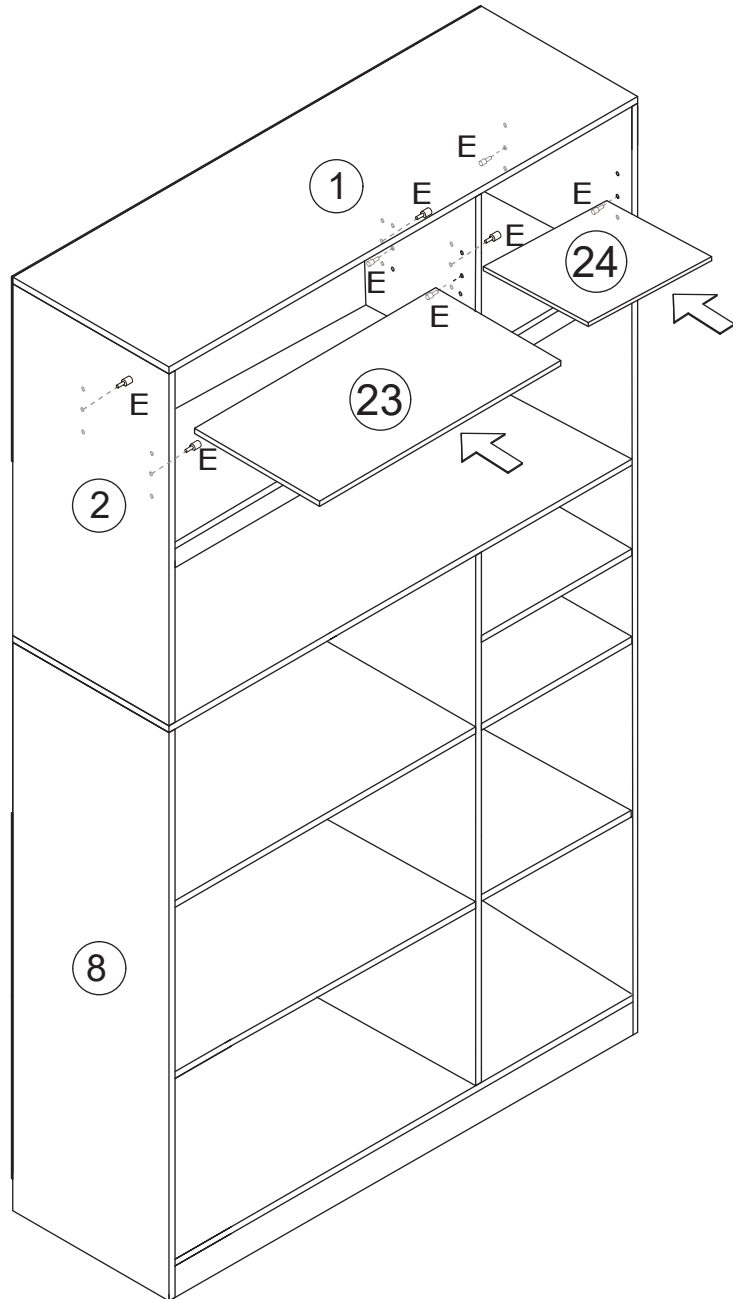
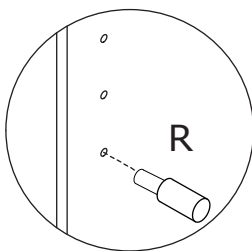
Insert layer pin(E) into and place shelf plate 23 and 24 as shown.



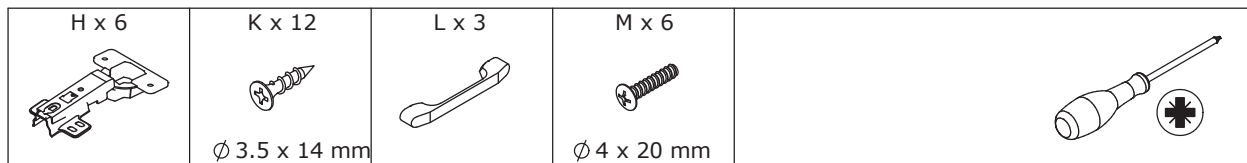
OR



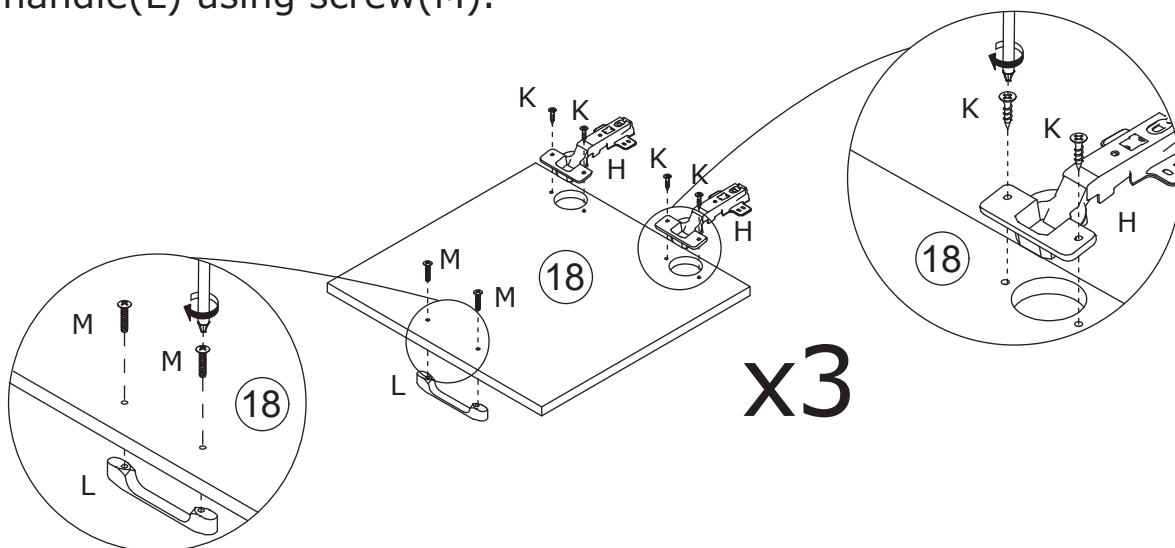
OR



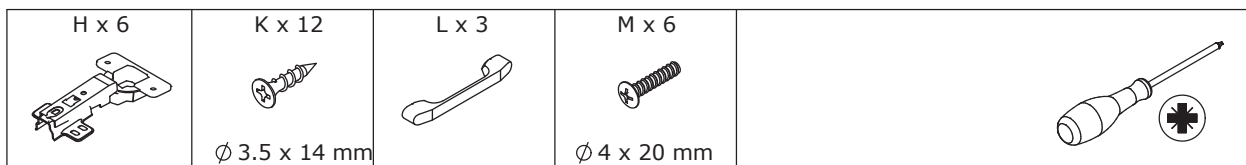
33



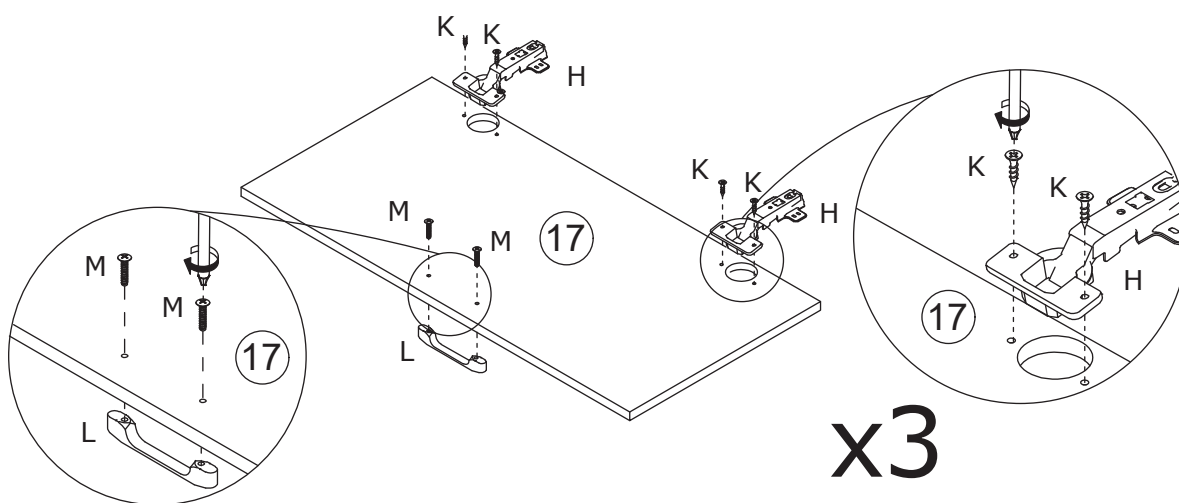
Fix hinge(H) to plate 18(x3) using screw(K) as shown.
Fix handle(L) using screw(M).



34



Fix hinge(H) to plate 17(x3) using screw(K) as shown.
Fix handle(L) using screw(M).

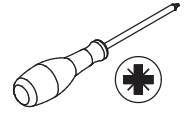


35

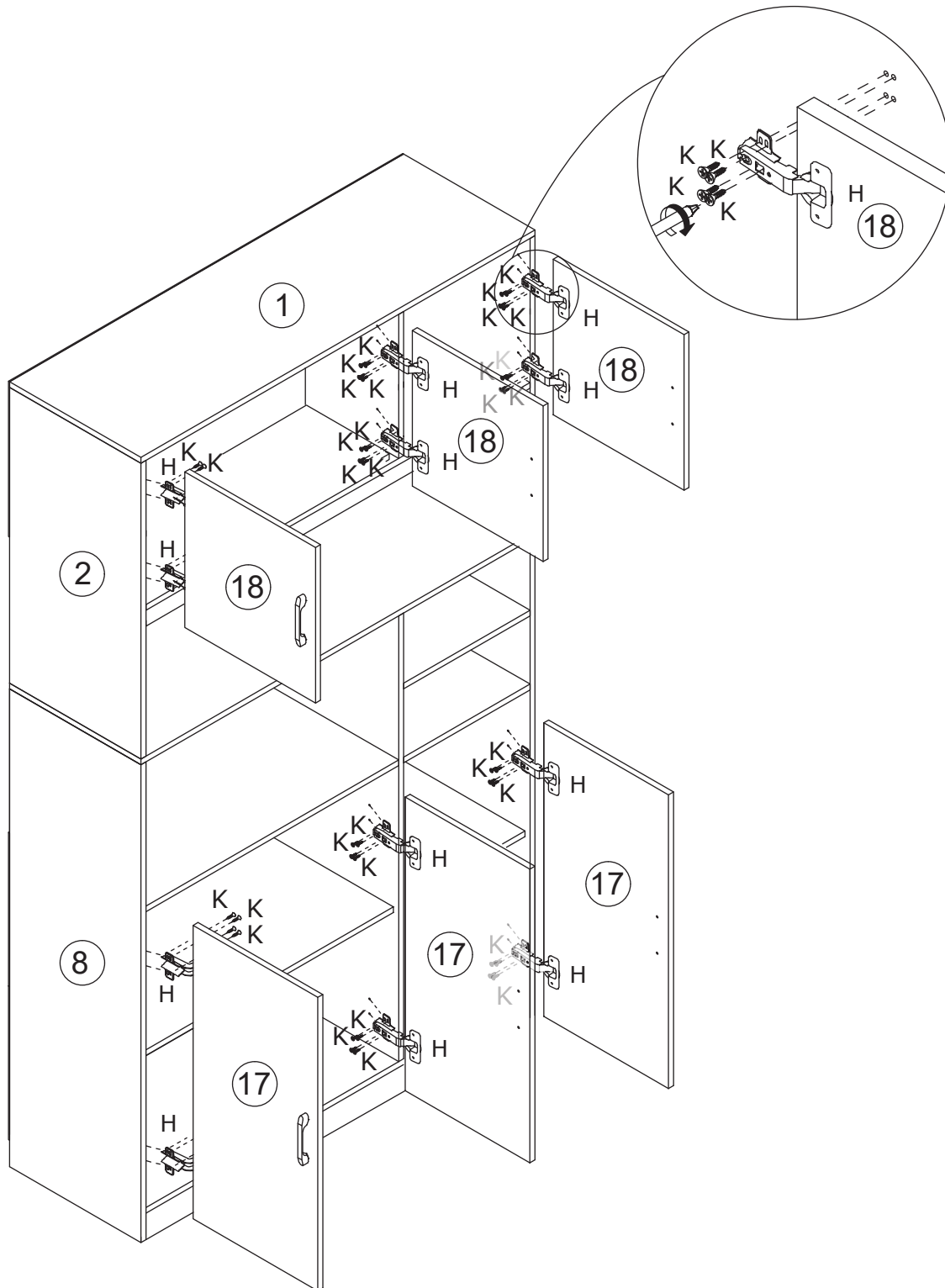
K x 48

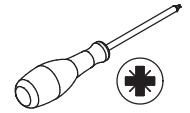


Ø 3.5 x 14 mm



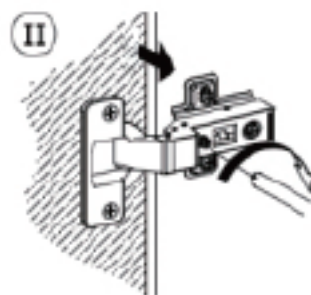
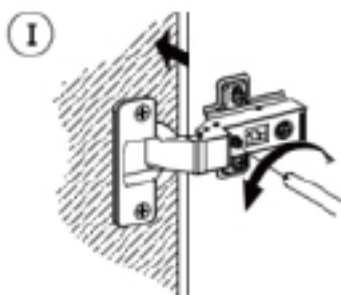
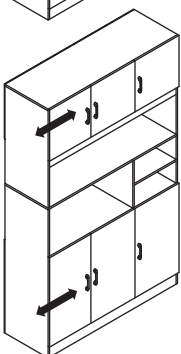
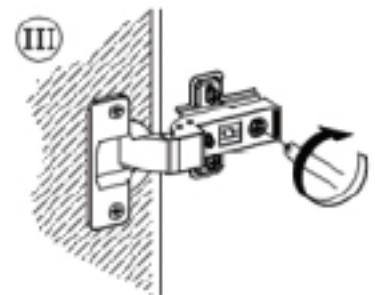
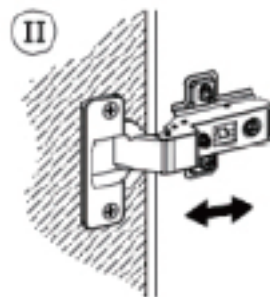
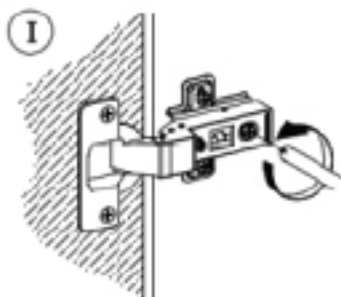
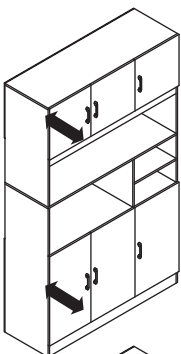
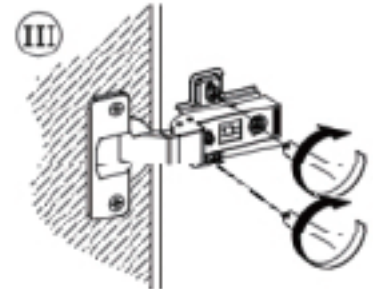
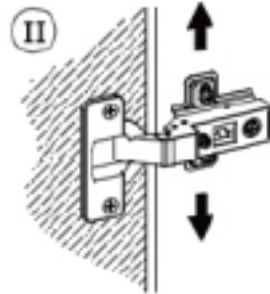
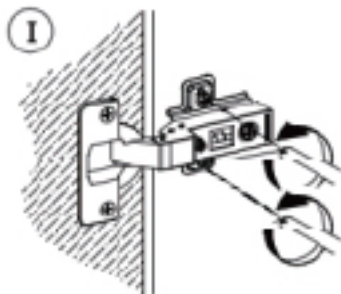
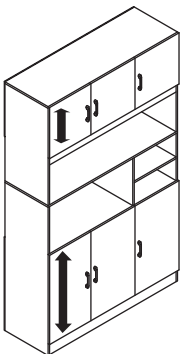
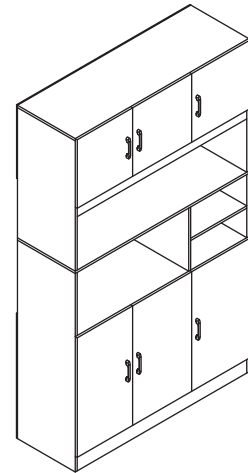
Attach plate 18 to upper cabinet; plate 17 to lower cabinet by fixing hinge using screw(K) as shown.




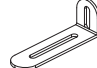


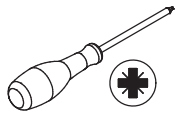


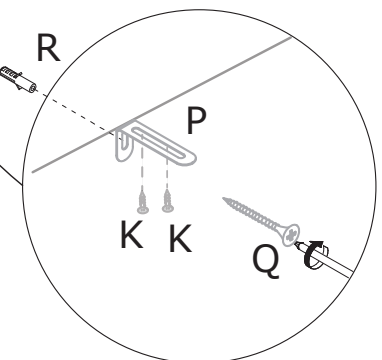
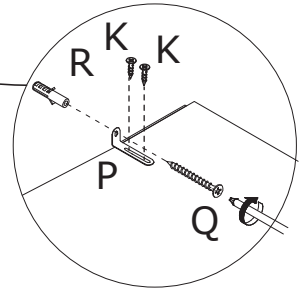
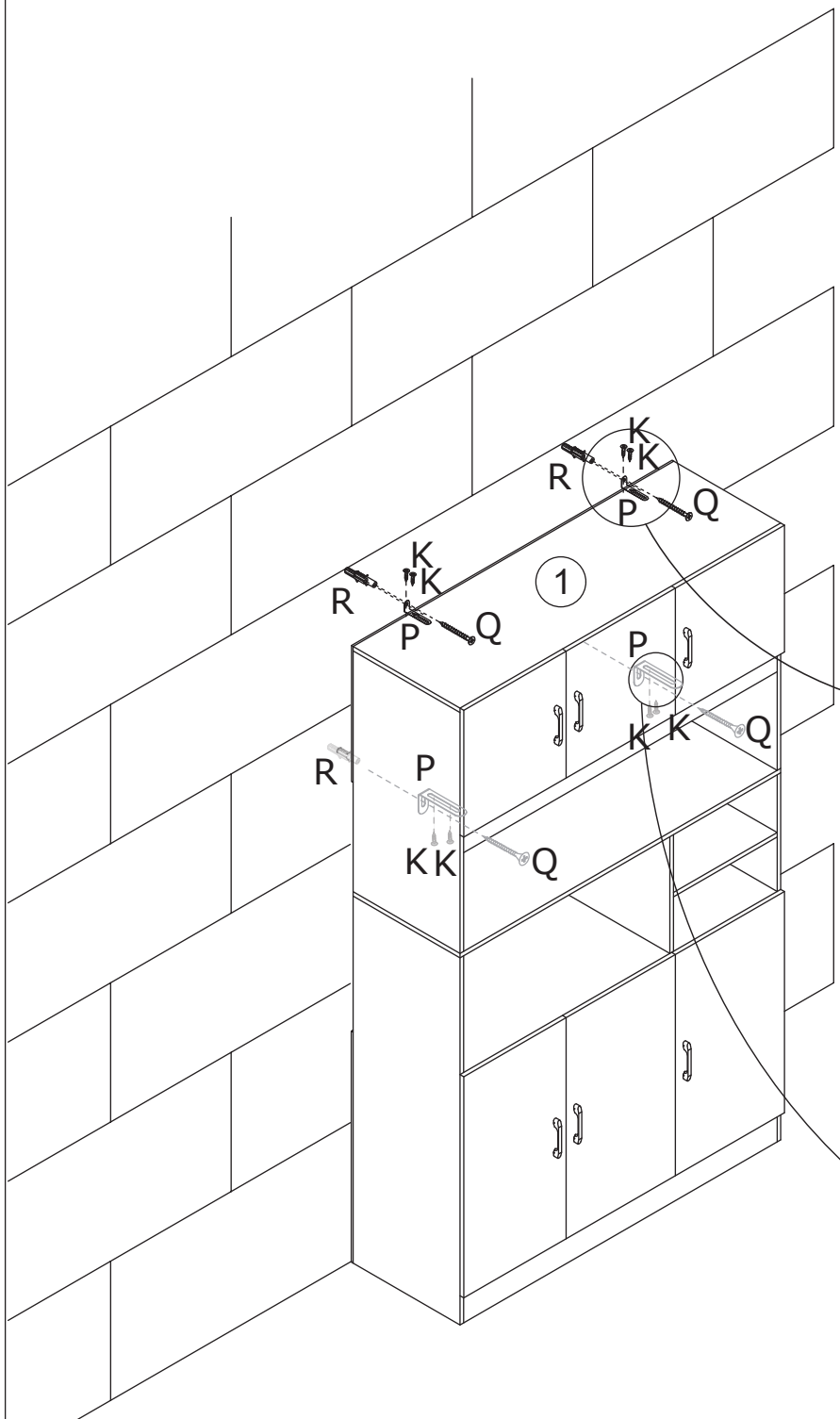
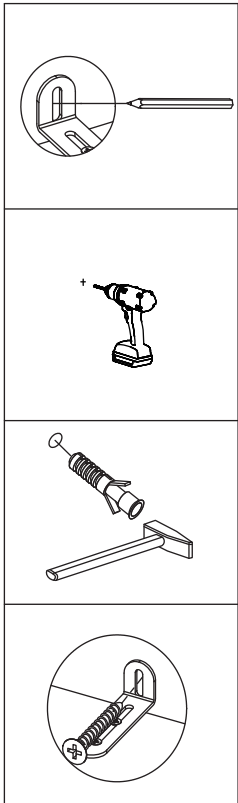
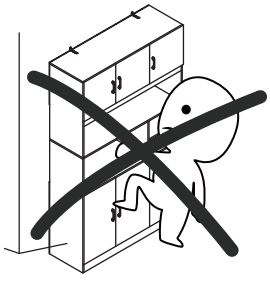
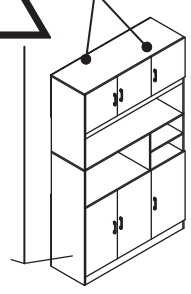
More detailed hinge adjustment modes:

- 1) After the screw connecting the cabinet body is turned out anticlockwise, the gap between the whole door frame and the upper and lower parts can be adjusted. After adjustment, screw in the screw clockwise;
- 2) After the screw at the end of the hinge is turned out anticlockwise, the gap between the whole door frame and the front and back of the cabinet can be adjusted. After adjustment, the screw can be turned in clockwise (it can be turned out to the movab



37

<p>K x 8</p>  <p>Ø 3.5 x 14 mm</p>	<p>P x 4</p>  <p>53 x 25 x 16 mm</p>	<p>Q x 4</p> 	<p>R x 4</p> 	
---	---	--	---	---



WARRANTY

WARRANTY CLAIMS

- There is a 30-day warranty for broken furniture or any other problems that do not work properly. The warranty will start from the date of purchase which must be verified by proof of purchase.
- Before making a claim, we may be able to answer your query, simply call us. Please leave your purchase order number, along with some details of the problem, if you want a replacement part. We will arrange within 48 hours. If there is out of stock, we will reply with a shipping date.
- The product must be used in accordance with the instructions provided. For health reasons.
- For other reasons, if the furniture needs to be returned, it must be cleaned and dried and operated within 30 days of receipt.

Type of Warranty Claim

- Failure to follow the furniture instructions will invalidate the warranty. Attention please.
- Does not include damage during installation, but includes damage during transportation.

Scope of responsibility

- Shall not bear any responsibility for misuse or user damage and / or loss of parts during the installation of furniture.
- After using, the damage and scratches of the furniture are not covered by the warranty.

The Warranty Relates to All Bought in The Us and Covers The Following Areas

- Sheet parts: 1 month from the date of purchase.
- Electrical parts: 1 month from the date of purchase.

RETURNS

CHANGED YOUR MIND AND NEED TO RETURN YOU ITEM?

PLEASE FOLLOW THE BELOW INSTRUCTIONS:

- If you have purchased and have simply changed your mind, follow the retailer's instructions for returns.

DEFECTIVE ITEMS

- If your item is defective in any way, i.e. it doesn't work but you can't identify why, in the first instance, please call us.

DAMAGED ITEMS

- If you receive an order with obvious shipping damage from the retailer, then we suggest the delivery is refused. If the delivery has been accepted and then shipping damage is found, please follow the specific instructions advised by the retailer.
In all circumstances please save all packaging material and paperwork for the order. Please be aware that if you dispose of packaging material or attempt to return the merchandise without contacting the fulfiller, you jeopardise your chances of making a claim, and you may not receive a credit for the return.