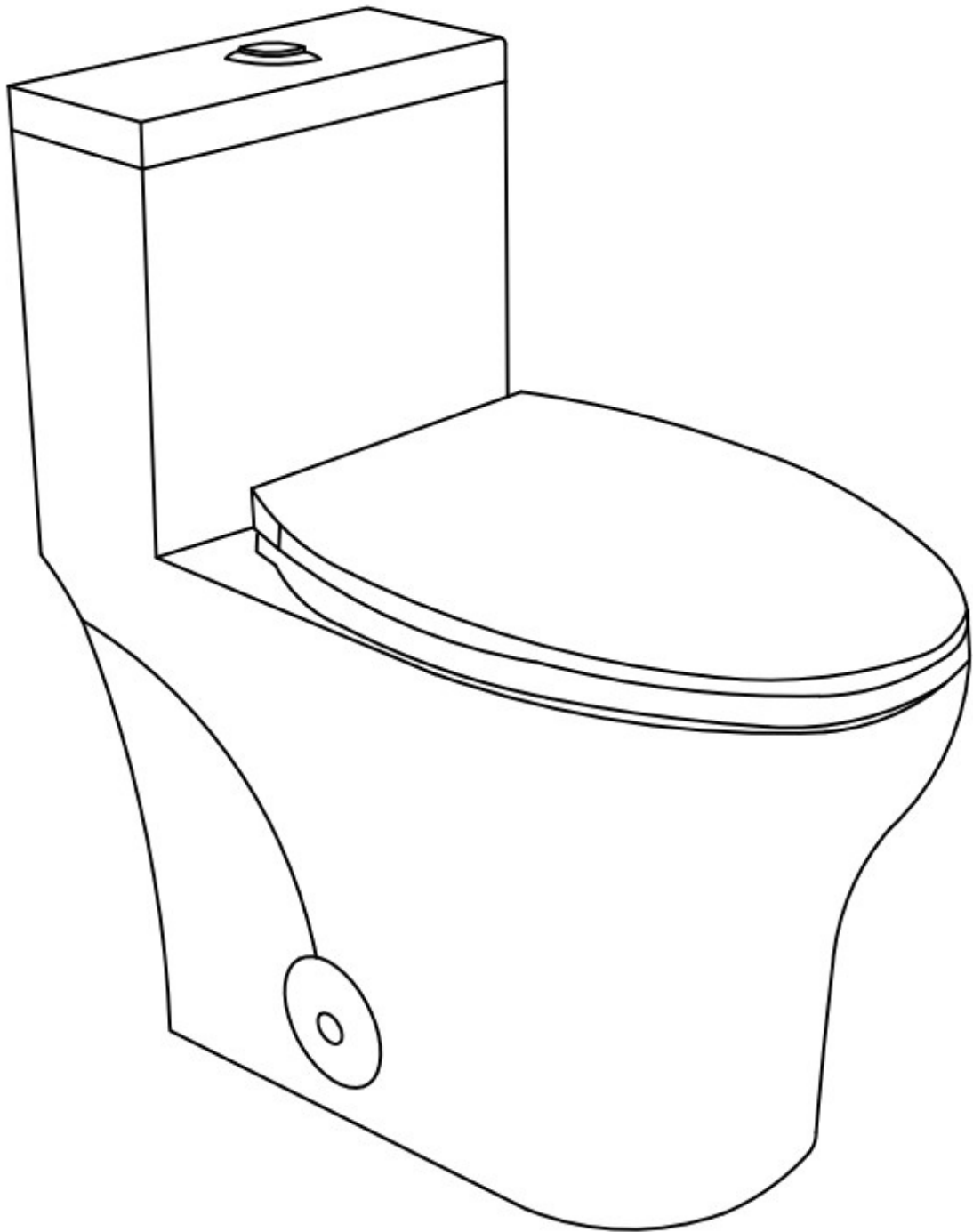


One-Piece Toilet

Installation Instruction



THANK YOU!

Dear Valued Customer,

Thank you for choosing our Vitreous China One-Piece Toilet. We hope our products can improve the quality of your life.

As a valued customer, your comments and opinions are very important for us. If you have any concerns, questions, or comments, we hope that you could bring them to our attention.

Please keep the box and packaging materials until your product is completely installed.

If you have any questions or concerns, please contact us:

607-645-4819
lyla@miuara.com

Sincerely
Service Team



One-Piece Toilet Installation Instruction



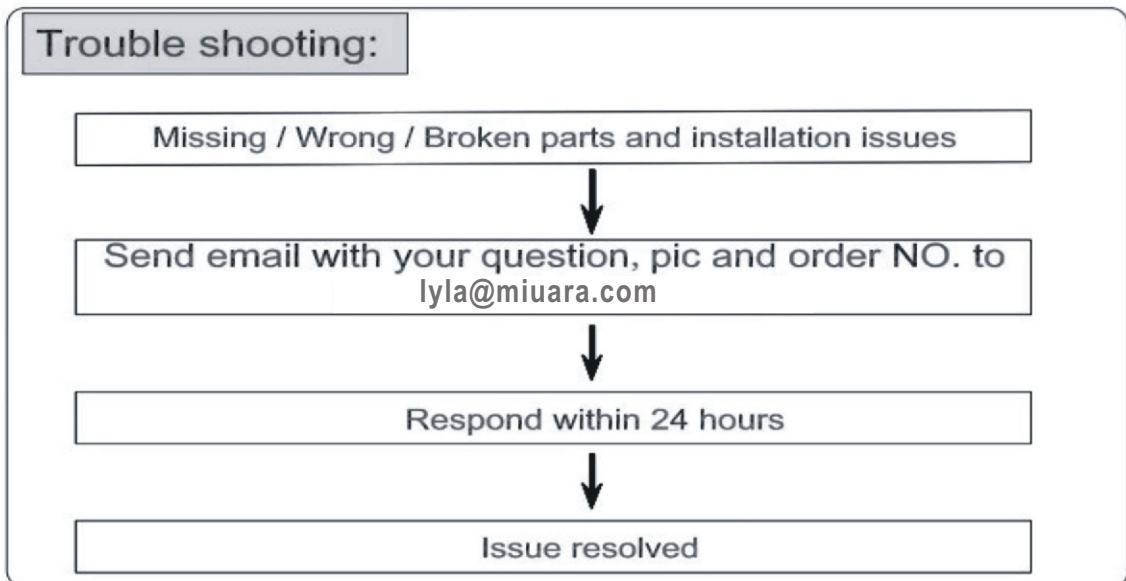
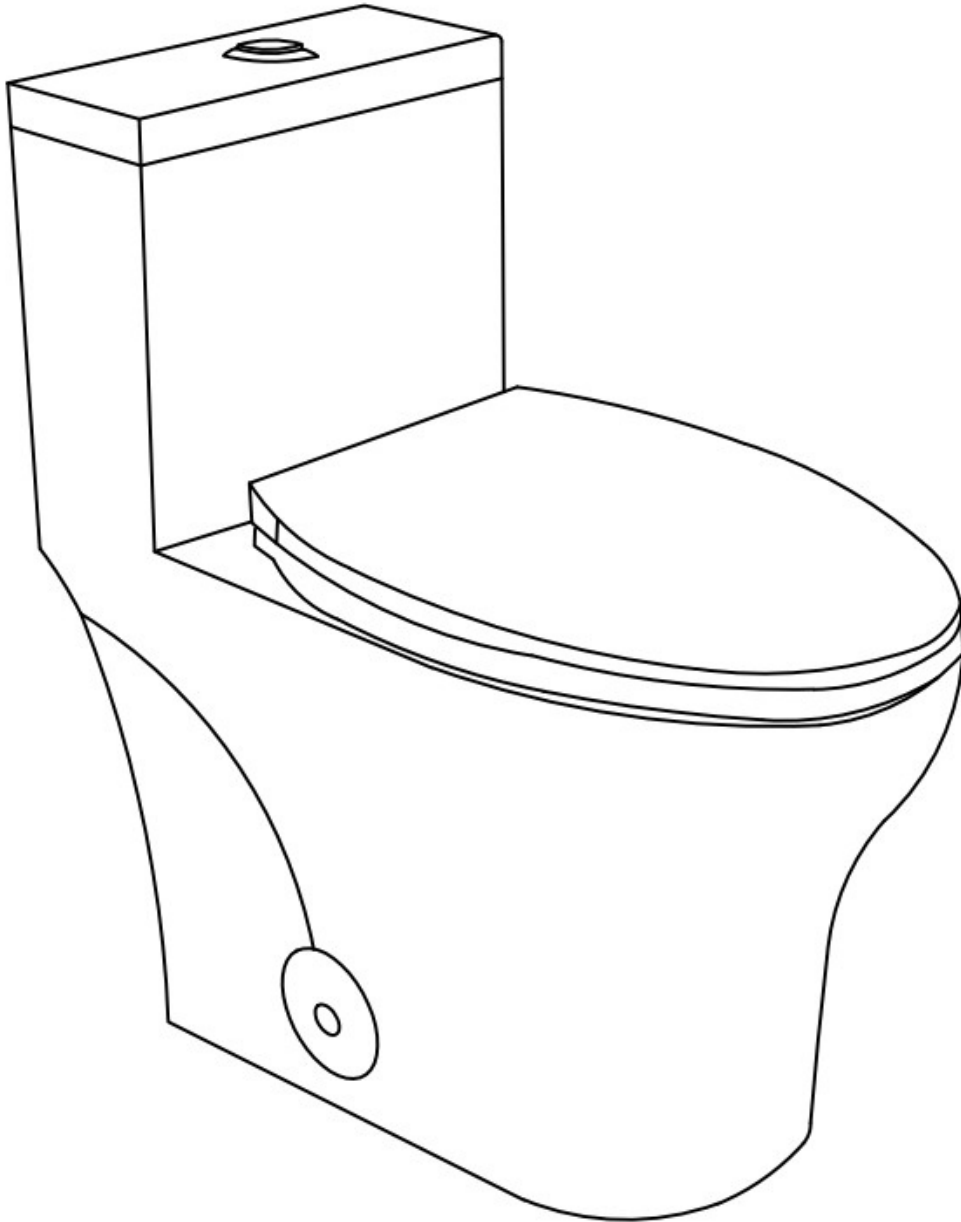
Prior to Installation:

- Before installation, please make sure that the toilet without damaged during shipping.
- Observe all plumbing and building codes in accordance with your state and local requirements.
- Remove old toilet.
- Make sure mounting surface is CLEAN and LEVEL..

General Recommendations:

Please read installation and maintenance instructions thoroughly before installing the toilet.
Be sure to use proper tools and always wear proper personal safety accessories for your protection.

One-Piece Toilet Installation Instruction



One-Piece Toilet Installation Instruction



READ ALL INSTRUCTIONS BEFORE UNPACKING THE PRODUCT



INSTRUCTIONS THAT, IF IGNORED, COULD RESULT IN DEATH OR SERIOUS INJURY CAUSED BY INCORRECT HANDLING OR INSTALLATION OF THE PRODUCT. THESE INSTRUCTIONS MUST BE OBSERVED FOR SAFE INSTALLATION.

ATTENTION !



2 PEOPLE ARE REQUIRED TO LIFT AND DURING ENTIRE INSTALLATION OF THIS PRODUCT



INSTALLATION OF THIS PRODUCT BY AN INEXPERIENCED INSTALLER MAY RESULT IN PERSONAL INJURY OR DEATH!



We reserves the right to change, update, modify, alter, redesign this manual/product or its policies without prior notice! It is your responsibility to visit the website to download or contact customer service for the most updated version of the installation instructions.

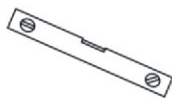
We shall not be liable for any injuries or property damages in connection with this product during installation or use of this product!

- Limited warranty is void on any commercial installation.
- We are not responsible for local code compliance for this product.
- Building and plumbing codes may vary from state-to-state in accordance to your location.
- We are not responsible for providing any compliance certifications.
- We are not responsible to provide any type of certifications for this product.
- Under no circumstances we shall not be liable for any and all incidental damages sustained in connection with this product Neither manufacture, nor distributor, nor retailer is responsible for water damage or flood caused due to use of this product.
- Under no circumstances We shall not be liable for any and all fees, cost of installation/re-installation/removal, subsequent damage or transportation in case of the product defect.

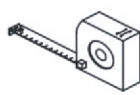
TOOLS REQUIRED FOR INSTALLATION



Silicone



Level



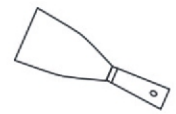
Tape Measure



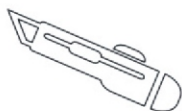
Socket extension



Safety Glass



Putty Knife



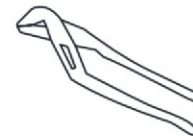
Knife



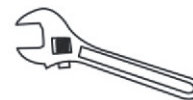
Soft Cloth



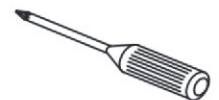
Pencil / Marker



Channel Pliers



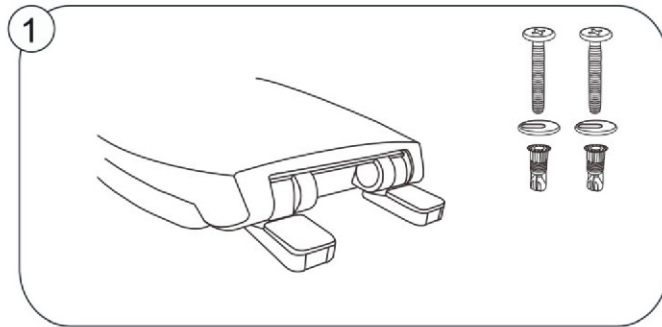
Wrench



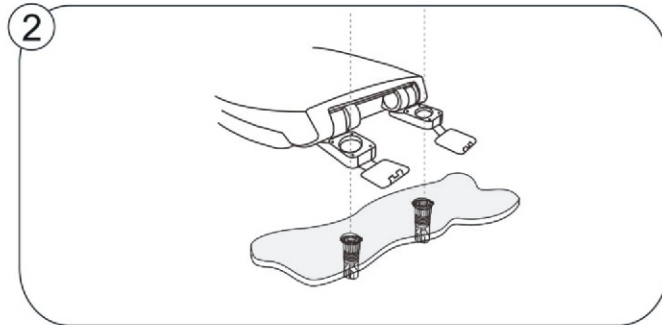
Wrench

One-Piece Toilet Installation Instruction

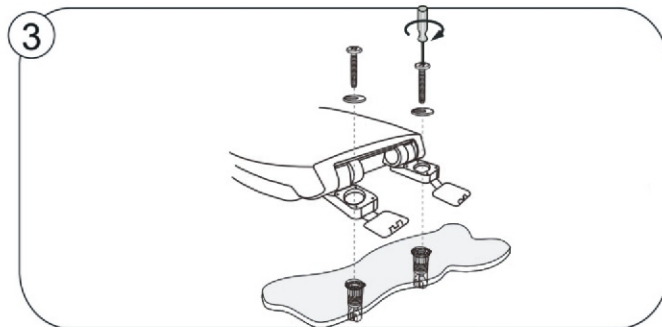
Installation Instructions



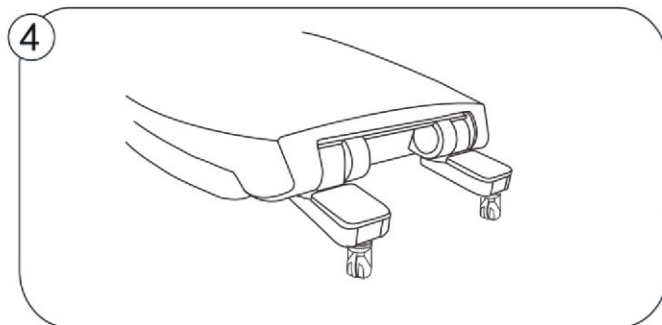
1. It comes with plastic install package:
2*long bolt, 2*stainless steel washer,
2*Nylon expansion plug



2.Put the nylon pop plug into the toilet mounting hole.
Place the toilet seat onto the toilet bowl
with the hinge base overlapping the bolt
holes in the bowl.



3. Insert stainless steel gasket into hinge
mounting hole.insert the long bolts
through the mounting holes from the top.
Use a screwdriver to tighten the screws



4. Please check if it is installed properly,
check if it is already tight and not shaking.
If shaking occurs, you need to re-adjust the
position of the toilet seat mounting holes and
the position between the toilet, if the toilet
seat is completely consistent, it will not
loosen.

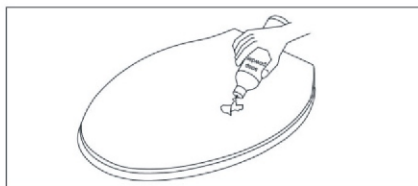
※ In the last step, if there is no problem, you
need to close the lid of the installation hole
on the toilet seat.

Maintenance Instructions



1. Periodical maintenance

- Wash the toilet seat with soft wet cloth.
- Dry with soft dry cloth.



2. Removal of stains

- Use neutral detergent(e.g. soap powder) to wipe softly, then dry with clean cloth.
- Do not use eradicant, abrasive powder, diluent, volatile oil, acid or alkali liquid detergent and nylon brush to clean the product, to avoid damage.

One-Piece Toilet Installation Instruction

Care Instructions:

Please read carefully the following maintenance manual in order to avoid component damage or injury to the installer.

Keep the maintenance manual available for future maintenance or reference.



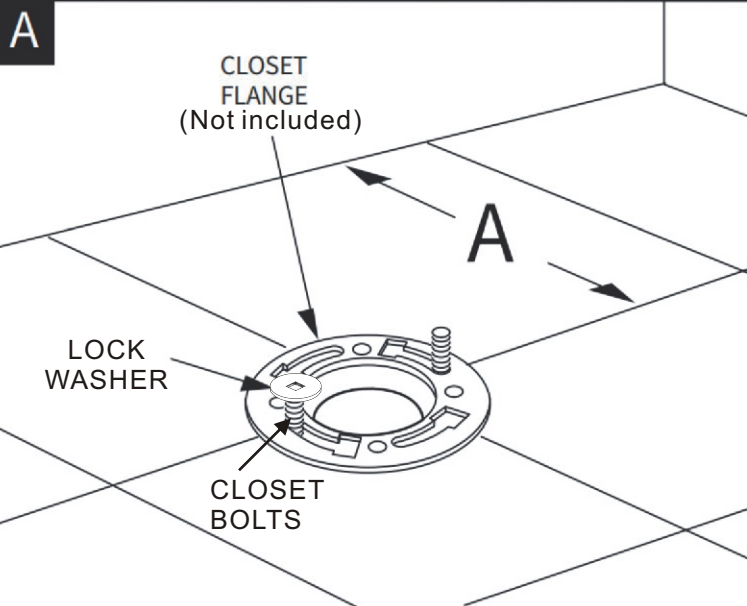
PRECAUTIONS: Follow all safety precautions to avoid personal injury or property damage.

⊘ "Prohibited acts"

 PRECAUTIONS		<p>1. Do not open/close the seat cover using unnecessary force. (It might cause cracks or failure on performance)</p> <p>2. Heavy loading may damage the seat cover and may cause a fall.</p>	
		<p>3. Do not use strong abrasive cleansers, which might cause damage to the surface</p> <p>4. Clean the surface of the toilet seat with mild soap water.</p> <p>5. Use a clean and soft cloth to wipe the toilet seat until it is completely dry</p>	
		<p>6. Keep children out of reach of the seat, to avoid personal injury.</p>	
		<p>7. Do not open/close the seat cover using unnecessary force. (It might cause cracks or failure on performance)</p>	
		<p>8. Do not expose the seat cover directly to sunlight. (It might cause color fading)</p>	

One-Piece Toilet Installation Instruction

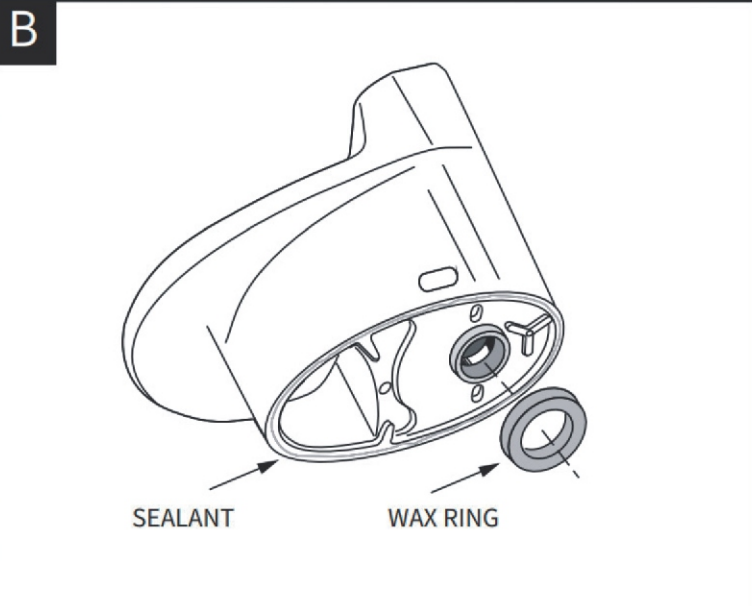
TOILET INSTALLATION



INSTALL CLOSET BOLTS

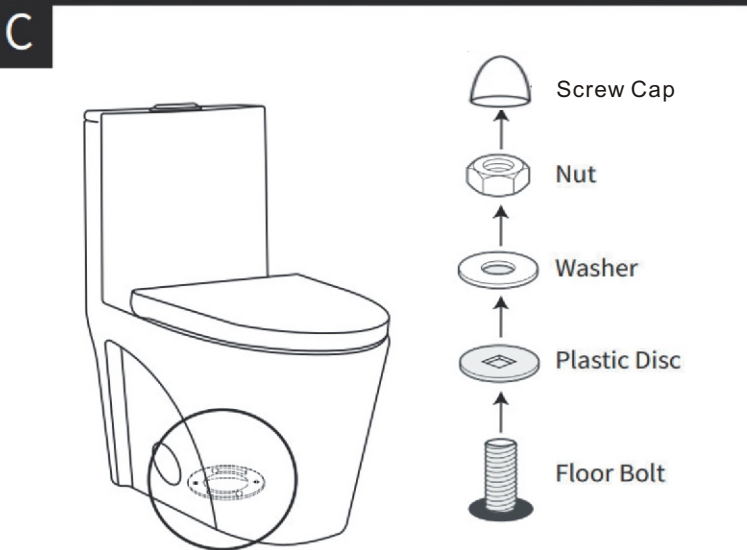
Install closet bolts in flange channel, turn 90°, and slide into place 6" apart and parallel to wall.

Then install the lock washer (with the raised side facing upwards)



INSTALL WAX SEAL

Invert toilet on floor (cushion to prevent damage), and install wax ring evenly around waste flange (horn), with tapered end of ring facing toilet. Apply a thin bead of sealant around toilet base.

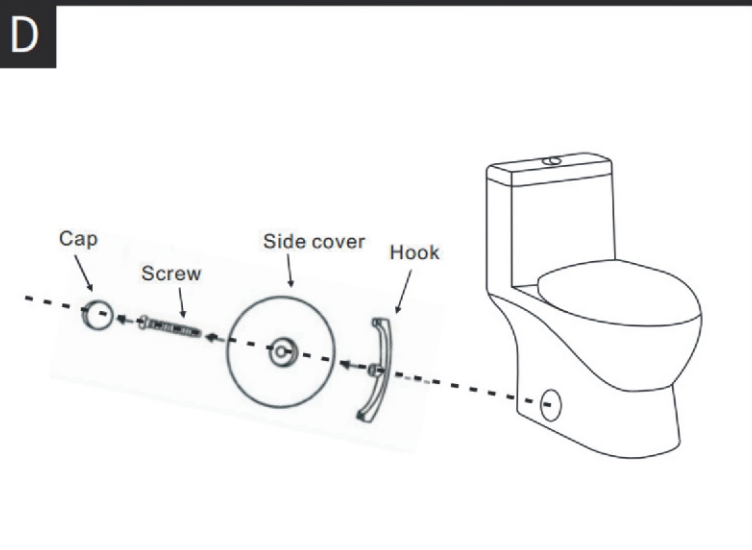


POSITION TOILET ON FLANGE

*Unplug floor waste opening and install toilet on closet flange so bolts project through mounting holes.

*Loosely install retainer washers and nuts.

*Position toilet squarely to wall and, with a rocking motion, press bowl down fully on wax ring and flange. Alternately tighten nuts until toilet is firmly seated on floor.



INSTALL THE SIDE COVER

*Adhere the side bolt covers to toilet.