

**WALK-IN TUB**  
**INSTALLATION INSTRUCTION**  
**AND OWNER'S MANUAL**  
**WT52-L WT52-LE**



## **TABLE OF CONTENTS**

1. Instruction before Installation
2. Installation Procedures
3. Operating Safety Instructions
4. Operating Procedures
5. Care and Maintenance
6. Trouble shooting Guide

## Pre-installation Instructions

**WARNING:** When using this tub, the following basic precautions should be followed:

- Avoid the risk of electrical shock. Connect only to a circuit protected by a ground-fault circuit-interrupter(GFCI). Grounding is required; All electrical connections should be made by a licensed electrician, in accordance with requirements of national electrical codes and procedures
- INSTALLER/OWNER BEARS ALL RESPONSIBILITY TO COMPLY WITH ALL STATE AND LOCAL BUILDING CODES WHEN INSTALLING THIS UNIT

## TESTING YOUR WALK-IN TUB BEFORE INSTALLATION BY FOLLOWING PROCEDURES

1. Before opening the package, please carefully check if the carton packaging is damaged. If there is any damage, please take photos and make a record.
2. After opening the carton, please carefully check if the product is damaged and if all accessories are present. If there is any damage or missing accessories, please take photos and record it, and contact your supplier as soon as possible to claim from the transportation company.
3. Water testing before installation (Although all bathtubs are water tested before leaving the factory, there is a possibility that pipes may come loose in transit.)
  - a. Place the bathtub in a flat and easily drained area, and adjust the feet to keep the bathtub level.
  - b. Check if all functional connection systems are loose.
  - c. Close the door tightly, fill the bathtub with water to the maximum water level (overflow position), and keep it for a few minutes. During this process, carefully observe if there is any leakage.
  - d. Connect the power supply and turn on all functions for a few minutes (massage, bubbles, underwater lights, ozone, aromatherapy, etc.), and observe if all components are operating normally.

If there are any abnormal problems, please take photos and record them, and contact your supplier immediately.

**IMPORTANT: Failure to follow the pre-installation instruction and water test the bathtub before installation, manufacturer will not be liable for the removal or installation of the bathtub.**

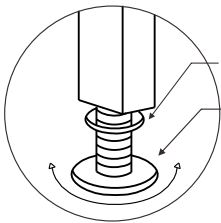
## Installation Procedures

### ● Adjust the leveling feet

According to different sizes bathtubs, we design several leveling feet to adjust the bathtub. Please use a wrench or level ruler to level the bathtub.

Note: If the bathtub is not level, it may lead :

- noise increased;
- remaining water in the hoses or the drainage;
- bathtub shaking;

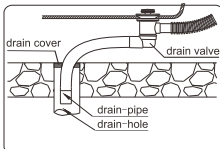
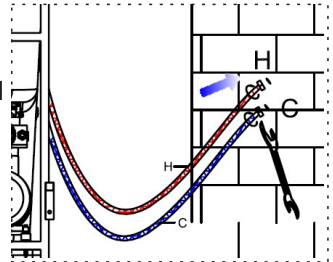


- 1.Adjust height of the leveling feet
- 2.Adjust screw nut to the level position

## Installation instruction

### ● How to connect the water?

For ease of use, our bathtub is equipped with stainless steel cold and hot water hoses (connector G3/4"). Please connect the cold and hot water hoses to the bathroom's cold and hot water hoses accordingly.



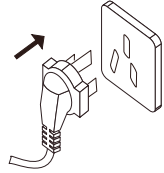
Insert the drain-pipe to the drain-hole on the floor, and then cover it with water retaining cover to prevent waste water spilling.




The red hose stands for hot water hose; the blue hose stands for cold water hose;  
Drain-pipe should be installed with slope above 1:50;  
Do not hold the drain-pipe and cold/hot water hoses when moving the bathtub, and do not crash it with hard objects.

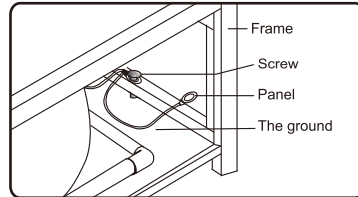
● **How to connect the electricity?**


Please install a proper dedicated plug with 110V/60Hz, ground electrode to the power line. and then insert the plug firmly.



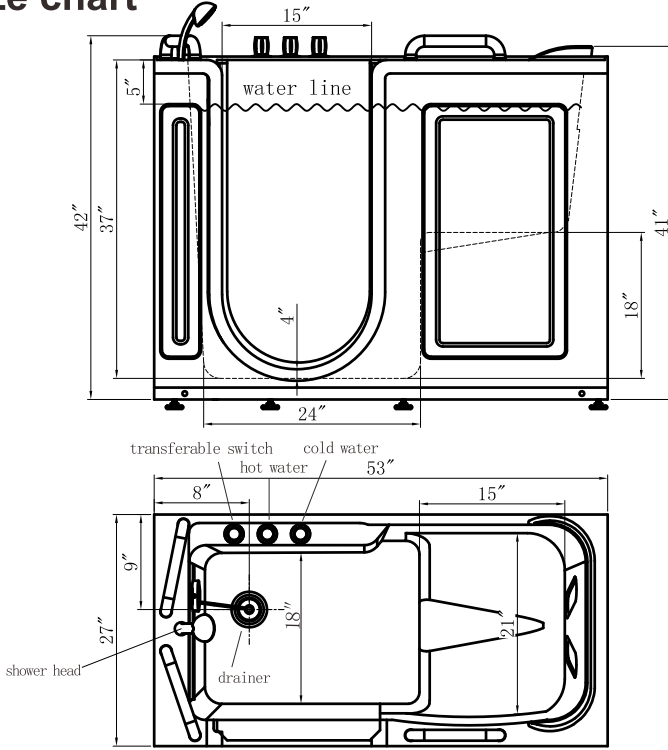
 <b>Notice</b>	It must be installed by a professional electrician
--	--

Make sure the ground is connected: one side of the ground should be connected to the ground terminal of the motor and the stainless steel frame; the other side should be connected to the ground wires of the plug.

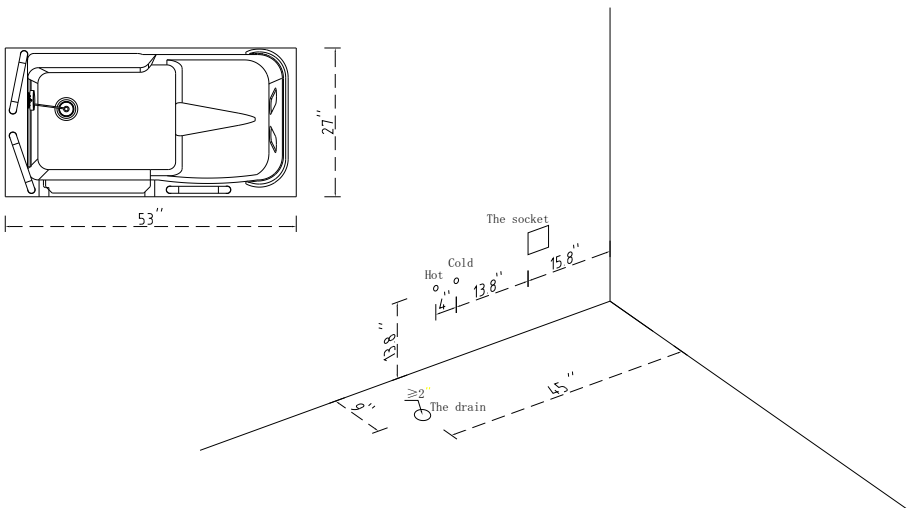


 <b>Notice</b>	The bathtub must be connected to the ground. Power outlet must be sealed well. Make sure the surface of each wire is intact.
--	--

● **Size chart**



● **Water and electricity installation drawing**



## Operating Safety Instructions

INSTRUCTIONS PERTAINING TO RISK OF FIRE, ELECTRIC SHOCK, OR INJURY TO PERSONS.

**WARNING:** When using this unit, following basic precautions should be followed.

1. Do not permit children to use this unit unless an adult closely supervises them at all times. Supervision is also required when an elderly or handicapped individual uses whirlpool bath.
2. Use this unit only for its intended use as described in this manual. Do not use attachments not recommended by the manufacturer.
3. Do not operate this unit without the suction cover over the suction fitting. This suction cover is a safety device that reduces the potential hazard of hair or body entrapment. Keep hair and body away from suction cover when the pump is running.
4. Never operate electrically connected devices in or near the bath. No electric appliances should be within 5 feet/1.5 meters of this bathtub (such as hair dryers, lamp, telephone, radio, television and so on.)
5. Never drop or insert any object in any opening within the whirlpool .
6. For the early months of pregnancy, pregnant or possibly pregnant women should limit whirlpool water temperature to 100F(38°C), because the excessive water temperatures have a high potential for causing fetal damage.
7. The use of drugs or alcoholic beverages before or during whirlpool use may lead to unconsciousness with the possibility of drowning.
8. Person with a medical history of heart disease, low or high blood pressure, circulatory system problems or diabetes should consult a physician before using a whirlpool.
9. Persons using medication should consult a physician before using a whirlpool since medication may induce drowsiness while other medication may affect heart rate, blood pressure and circulation.
10. The thermostatic mixer can maintain the temperature of the water input, please use carefully according to the operating instruction to avoid the scald or catch a cold.
11. The water in a whirlpool should never exceed 104F(40°C). Water temperatures between 100F(38°C) and 104F(40C) are considered safe for a healthy adult. Use time should be limited to approximately 30 minutes, followed by a shower to cool down. Lower water temperatures are recommended for extended use (exceeding 10 -15 minutes) and are definitely recommended for younger children. If you become nauseous, dizzy or develop a headache, get out at once and cool down. Get medical attention if symptoms persist. Check with a physician before using whirlpool again.
12. This unit must be connected to a circuit that is protected by a Ground Fault Circuit Interrupter(GFCI). The GFCI should be provided and installed by a licensed electrician and tested on a regular basis (at least monthly). To test the GFCI push the test button. The GFCI should interrupt the power. Push the reset button and the power should be restored. if the GFCI fails to operate in this manner there is a possibility of an electric shock , do not operate this unit. disconnect the unit and have the problem corrected by a licensed electrician before using.
13. Maintenance window for product maintenance, it is recommended that professional maintenance personnel operate. The maintenance window is closed with a magnet. the person who wearing medical devices such as pacemakers, Please keep away from it.

**CAUTION:** DO NOT USE HARSH ABRASIVES OR SOLVENTS TO CLEAN THIS PRODUCT.

**SAVE THESE INSTRUCTIONS**

## Operation

## Accessories instruction

### ● Three-piece set faucet

Switch marked with "H" is hot water switch;  
Switch marked with "C" is cold water switch;  
Switch marked with icons is transferable switch which can be rotated to waterfall or sprinkling style.



### ● Multi-function handheld shower with back flow protector.

Rotate the shower head shell can adjust the water pattern as follow:

- inner water column
- middle water column
- external water column



### ● Drainage

Rotate the cover clockwise to close the drain.  
Rotate the cover anticlockwise to open the drain.  
When the water is over the maximum water level, the excess water will be drained by overflow.

#### Notice:

when the overflow cover is faulty or it is hard to rotate, please upward the chain to draining the water by hand.



## Operation

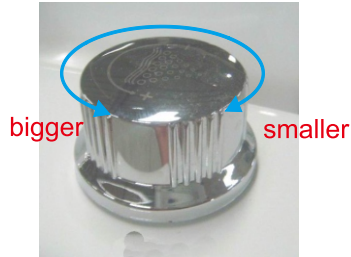
## Accessories instruction

### ● Pneumatic switch



Press the above button of pneumatic switch then massage function turned on; Press the button again, then turned off.  
(Only for the model with pneumatic switch)

### ● Hydro massage flow rate control switch



Rotate hydro massage flow rate control switch clockwise, then the water column strength smaller; rotate the knob anticlockwise, then the water column strength stronger.  
(Only for the model with hydro massage flow rate control switch)

### ● Door lock:

Inward opening door lock

#### **steps to close the door**

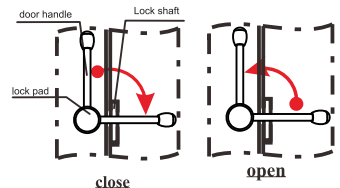
close the door, press the door handle downward

#### **steps to open the door**

Lift up the handle, open the door

#### **Notice:**

1. The sealing structure is well designed, no need to exert excessive force when pressing down, so as to avoid difficulties when lifting
2. Before filling the water into the tub, please make sure that the bathtub door is locked tightly. Failure to do so will result in water leakage.
3. Before opening the door lock, please make sure that the water has been drained completely.



## Care and Maintenance

**Regular care of your walk-in tub with the hydro massage system will keep it clean and working at its best.**

Pump and pipe circulation systems should be flushed before first use and on a monthly basis when product is under normal basis use. Below are the recommended procedures for cleaning:

1. Do not run the jet massage system dry.
2. Fill the tub with hot water 2-3 inches above the jets and add 2-3 teaspoons of low foaming detergent such as dishwashing machine detergent.
3. Turn on jet massage system and run for 10 minutes.
4. Drain tub completely.
5. Fill tub with cold water above jets.
6. Turn on jet massage system and run for 15 minutes.
7. Drain tub completely.
8. Cleaning the "suction cover": Clean and remove any hair or lint from the suction cover. On a monthly basis, unscrew the suction cover and clean away any hair, lint or debris from the cover and housing, then remount the cover in place. Some suction covers are not designed to be removed; only suction covers that have screws on the cover, visible from the inside of the tub, can be removed. Never operate the unit with the safety suction cover off. Do not use abrasive cleaners as they will scratch and dull the surface. Use a mild liquid household detergent cleaner. Plaster can be removed using a wooden stick.
9. Do not use metal scrapers, wire brushes, water barrier wallboard or other harsh abrasive tools. Usually a mild detergent will remove construction debris. More stubborn debris may be removed with denatured alcohol. Light scratches and dulled areas may be restored to original luster by rubbing with an automotive type cleaning compound.

## Troubleshooting Guide

<b>SYMPTOMS</b>	<b>PROBLEMS</b>	<b>SOLUTIONS</b>
Door leaks slightly	1.Door lock is not closed tightly; 2.There is some debris on the door seal.	1.Close the door lock tightly; 2.Clean the debris on door seal.
Cannot control the hydro massage flow rate	1.Power is not normal(Low voltage); 2.Pneumatic switch does not work; 3.Air hose is not connected tightly.	1.Insert the plug tightly; 2.Adjust pneumatic switch; 3.Connect air hose tightly.
Water hose leaks	1.Rubber ring is not good; 2.Screw nut is not tightened, the connection is not good;	1.Change a new rubber ring; 2.Tighten screw nut and make sure its connection is good.