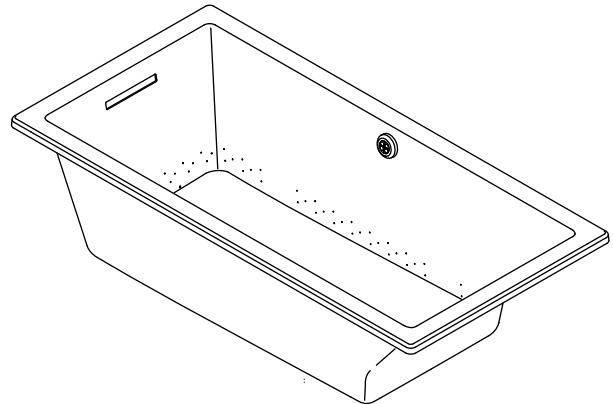


Features

- Acrylic
- Bask™ heated lumbar support with three temperature settings
- Slotted overflow for maximum bathing depth
- 122 BubbleMassage™ airjets
- Blower motor with 300 W heater and electronic user control
- Zones of Control™ concentrates massage at back, midsection, or feet
- Molded lumbar support for comfort
- Available with chromatherapy [-GCW]
- Drop-in installation or under-mountable
- Reversible drain
- 60" (1524 mm) x 30" (762 mm) x 19" (483 mm)

5' BUBBLEMASSAGE™ BATH WITH BASK™ K-1167-GW ALSO K-1167-GCW

ADA



Codes/Standards Applicable

Specified model meets or exceeds the following:

- ADA
- ICC/ANSI A117.1
- ASME A112.19.7/CSA B45.10
- ASTM E162
- ASTM E662
- UL 1795
- CSA B45.5/IAPMO Z124

Colors/Finishes

- 0: White
- CP: Polished Chrome
- PB: Vibrant® Polished Brass
- NA: None applicable
- Other: Refer to Price Book for additional colors/finishes

Specified Model

Model	Description	Colors/Finishes	
K-1167-GW	5' BubbleMassage bath with Bask – without chromatherapy (shown)	<input type="checkbox"/> 0	<input type="checkbox"/> Other _____
K-1167-GCW	5' BubbleMassage bath with Bask – with chromatherapy	<input type="checkbox"/> 0	<input type="checkbox"/> Other _____

Required Accessories

K-7271	Clearflo slotted overflow brass bath drain OR	<input type="checkbox"/> CP	<input type="checkbox"/> PB	<input type="checkbox"/> Other _____
K-7272	Clearflo slotted overflow bath drain – PVC pipe	<input type="checkbox"/> CP	<input type="checkbox"/> PB	<input type="checkbox"/> Other _____

Optional Accessories

K-531	Under-mount kit (cont.)			NA
-------	-------------------------	--	--	----

Product Specification

The acrylic BubbleMassage bath shall be 60" (1524 mm) in length, 30" (762 mm) in width, and 19" (483 mm) in height. Bath shall have a blower motor with 300 W heater and electronic user control, and 122 BubbleMassage airjets. Bath shall feature Bask heated lumbar support with three temperature settings. Bath shall feature Zones of Control, which concentrates massage at back, midsection, or feet. Bath shall have reversible drain. Bath shall have slotted overflow for maximum bathing depth. Bath shall have molded lumbar support for comfort. Bath shall be for drop-in installation or under-mountable. Bath shall be available with chromatherapy [-GCW]. Bath shall be Kohler Model K-1167-_____-_____.

UNDERScore®

K-1491	(cont.) Pillow	<input type="checkbox"/> 0	<input type="checkbox"/> Other _____
K-1601	Footstop	<input type="checkbox"/> 0	<input type="checkbox"/> Other _____
K-1703	Remote control		NA

Technical Information

Fixture*:	
Bathing well:	
Basin area, bottom	42-3/8" (1076 mm) x 20" (508 mm)
Basin area, top	54-3/8" (1381 mm) x 24-5/16" (618 mm)
Weight	102 lbs (46.3 kg)
To overflow:	
Water depth	15-1/16" (383mm)
Capacity	59.8 gal (226 L)
* Approximate measurements for comparison only.	
	V Hz A
Blower motor/Heated surface	220-240 50/60 5
Drop-in cutout	59-1/2" (1511 mm) x 28-1/2" (724 mm)

Required Electrical Service

Dedicated circuit required, protected with Class A Ground-Fault Circuit-Interrupter (GFCI) or Residual Current Device (RCD):

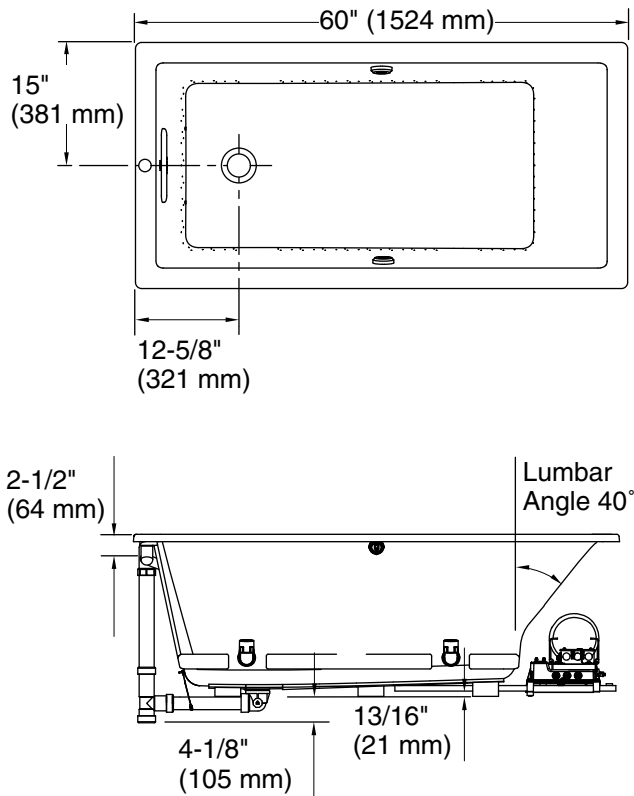
Blower motor/Heated surface	220-240 V, 15 A, 50/60 Hz
-----------------------------	---------------------------

Installation Notes

Install this product according to the installation guide.

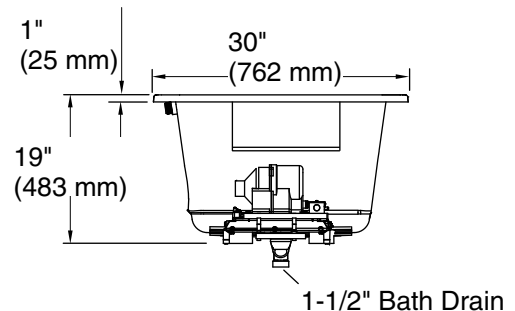
Will comply with **ADA** when installed per Section 607 Bathtubs of the ADA 2010 Standards for Accessible Design.

Floor support under bath must provide for a minimum of 50 lbs/square foot (242 kg/square meter) loading.



No change in measurement if connected with drain illustrated. (K-7272)

Blower Motor/Control Access
30" (762 mm) W x
15" (381 mm) H Min



Product Diagram