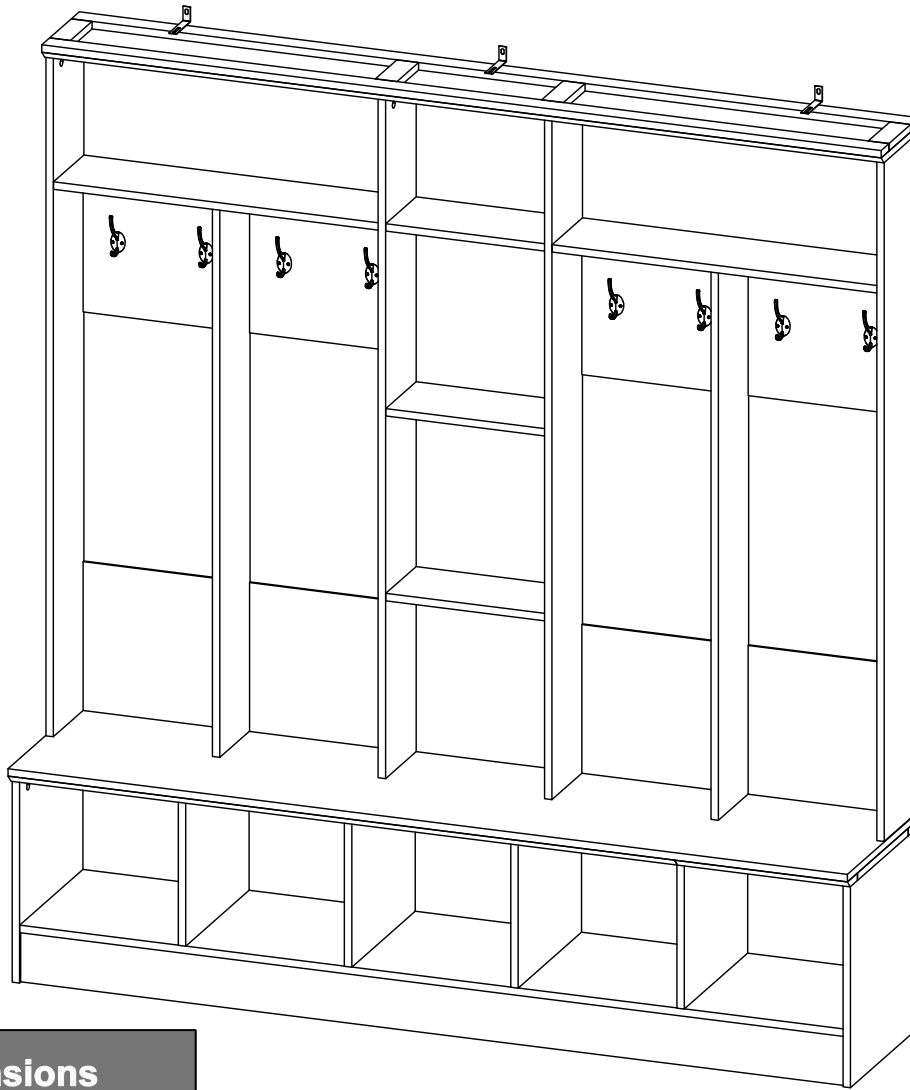


HALL TREE

Assembly Instructions - Please keep for future reference



Dimensions

Width-66.93inch

Depth-14.96inch

Height-72.05inch



WARNING



This product is NOT a Clothing Storage Unit (CSU).
DO NOT use it for clothing storage.
Improper use may cause furniture tipover.

Important – Please read these instructions fully before starting assembly



Safety and Care Advice

Important – Please read these instructions fully before starting assembly

- Check you have all the components and tools listed on the following pages.
- Remove all fittings from the plastic bags and separate them into their groups.
- Keep children and animals away from the work area, small parts could choke if swallowed.
- Make sure you have enough space to layout the parts before starting.

- During assembly do not stand or put weight on the product, this could cause damage.
- Assemble the item as close to its final position (in the same room) as possible.
- Assemble on a soft level surface to avoid damaging the unit or your floor.
- Parts of the assembly will be easier with 3 people.



- To reduce the likelihood of damaging your product please ensure that your power drill is set on a low torque setting.

Care and maintenance

- Only clean using a damp cloth and mild detergent, do not use bleach or abrasive cleaners.
- From time to time check that there are no loose screws on this unit.
- This product should not be discarded with household waste. Take to your local authority waste disposal centre.

Handy Hints

- Assemble all parts and bolts loosely during assembly, only once the product is complete should you fully tighten the bolts
- Regularly check and ensure That all bolts and fittings are tightened properly.

WARNING
In order to help prevent overturning – please follow these instructions





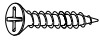
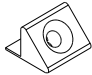

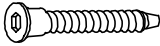


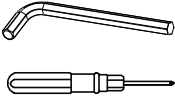
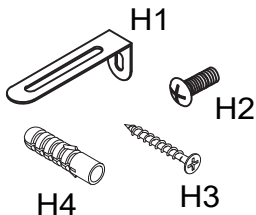
To help prevent product toppling over please follow the below steps:-

- Use the anti tip stap or wall fixing method provided (if applicable)
- Do not allow children to climb or hang on the furniture
- Do not open more than one drawer at a time
- Do not place heavy items in the top drawers
- Do not place heavy items on top of the furniture, unless the furniture has been designed for this purpose

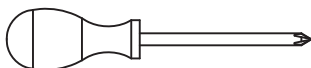
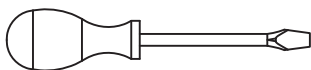
Components - Fittings

Please check you have all the panels listed below

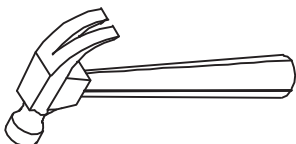
Note: The quantities below are the correct amount to complete the assembly. In some cases more fittings may be supplied than are required.

<p>A</p>  <p>15*12mm Cam lock x74+2</p>	<p>C</p>  <p>15*9.5mm Cam lock x74+2</p>	<p>D</p>  <p>6x60mm Dowel x 12</p>	<p>E</p>  <p>6x40mm Dowel x 91</p>
<p>F</p>  <p>3x16mm Screw x 33</p>	<p>G</p>  <p>x16</p>	<p>I</p>  <p>7x50mm Screw x 13</p>	<p>T</p>  <p>7x40mm Screw x 9</p>
<p>K</p>  <p>x8</p>	<p>M</p>  <p>x76</p>	 <p>x1</p>	<p>H</p>  <p>x3</p>

Tools required Not Included



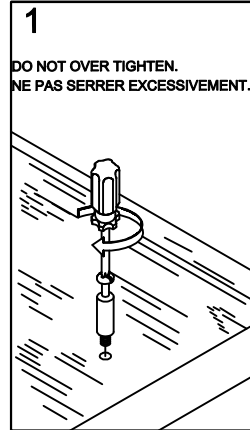
Phillips screwdriver
(medium & large)



Using Camlocks

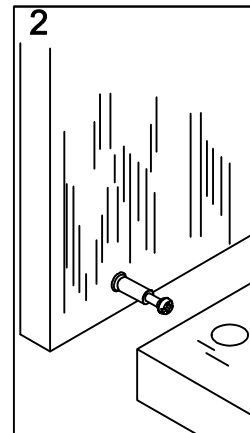
Step 1

Connect the male camlock as directed in the assembly instructions using a screwdriver.



Step 2

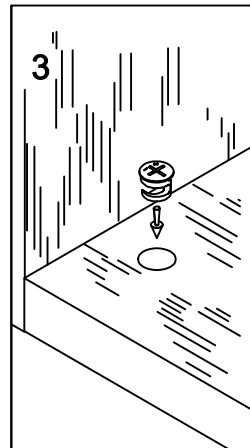
Push the male camlock into the entry hole.



Step 3

Insert the female camlock as shown in the instruction.

Note: ensure that the arrow on the top of the camlock points towards the entry hole for the male camlock.

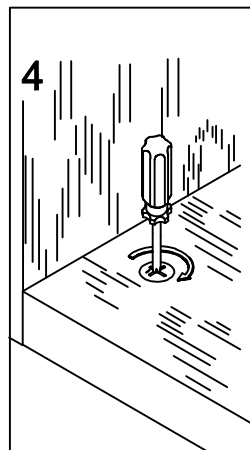


Step 4

Turn the female camlock clockwise with a screwdriver.

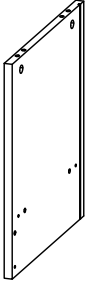

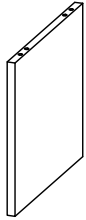
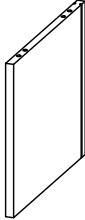
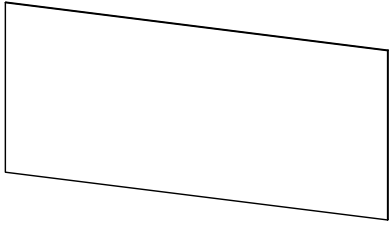
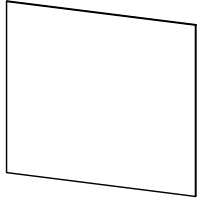


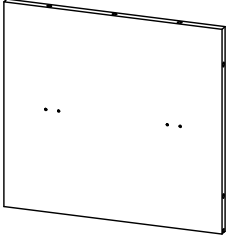
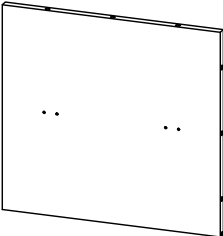
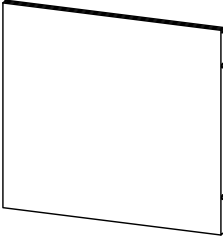
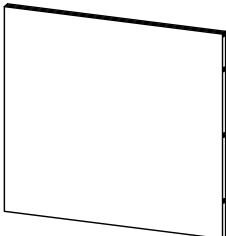
You should feel a click when the camlock is locked in place.

The joint is now secure.


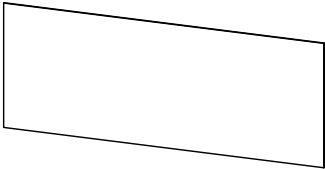
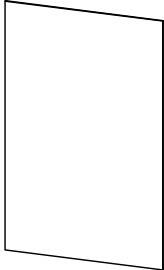
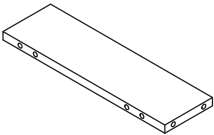


Components - Parts

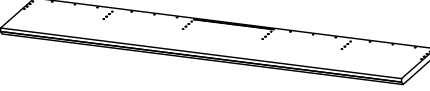
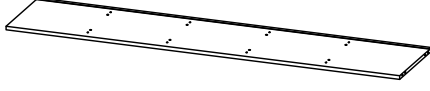

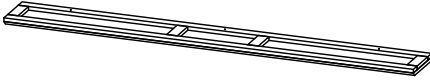






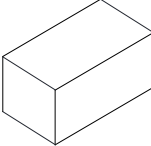
Please check you have all the panels listed below.

<p>③</p> 	<p>④</p> 	<p>⑤</p> 
<p>Side Panel (L) 405*360*15 1PC</p>	<p>Side Panel (R) 405*360*15 1PC</p>	<p>Center Panel (1) 340*290*15 2PC</p>
<p>⑥</p> 	<p>⑧</p> 	<p>⑨</p> 
<p>Center Panel (2) 340*290*15 2PC</p>	<p>Back Panel (1) 664*297*4 2PC</p>	<p>Back Panel (2) 297*329*4 1PC</p>
<p>⑮</p> 	<p>⑰</p> 	<p>⑱</p> 
<p>Up Center Panel (3) 1100*180*15 2PC</p>	<p>Up Middle Panel (Center) 322*165*15 3PC</p>	<p>Back Support (L1) 321*299*12 2PC</p>
<p>⑲</p> 	<p>⑳</p> 	<p>㉑</p> 
<p>Back Support (R1) 321*299*12 2PC</p>	<p>Back Support (L2) 321*299*12 2PC</p>	<p>Back Support (R2) 321*299*12 2PC</p>

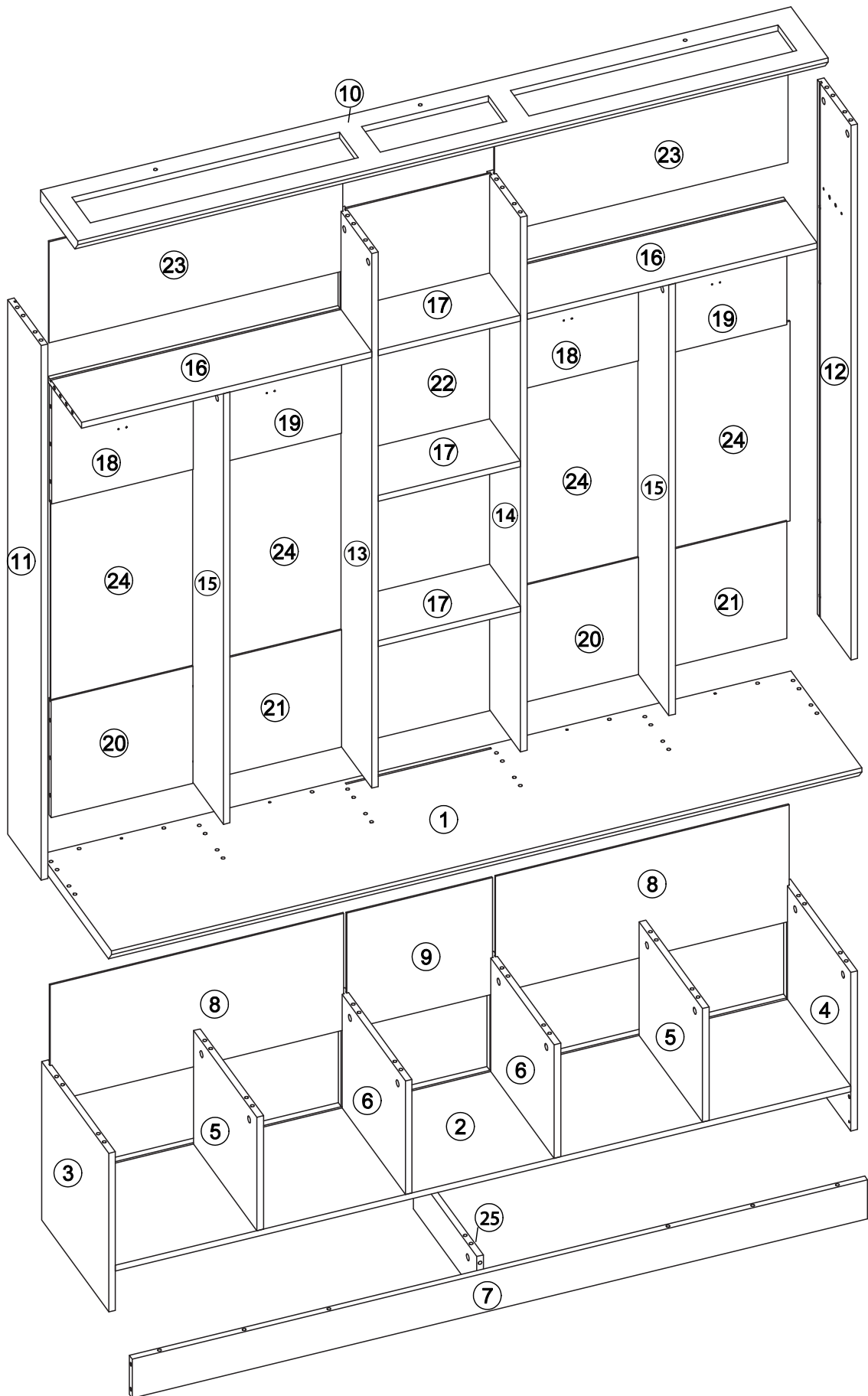
Components - Parts

<p>22</p> 	<p>23</p> 	<p>24</p> 
<p>Back Panel (Center) 1372*329*4 1PC</p>	<p>Back Panel (L&R) 664*257*4 2PC</p>	<p>Back Panel (Door) 509*328*4 4PC</p>
<p>25</p> 		
<p>Cabinet Leg 340*100*15 1PC</p>		

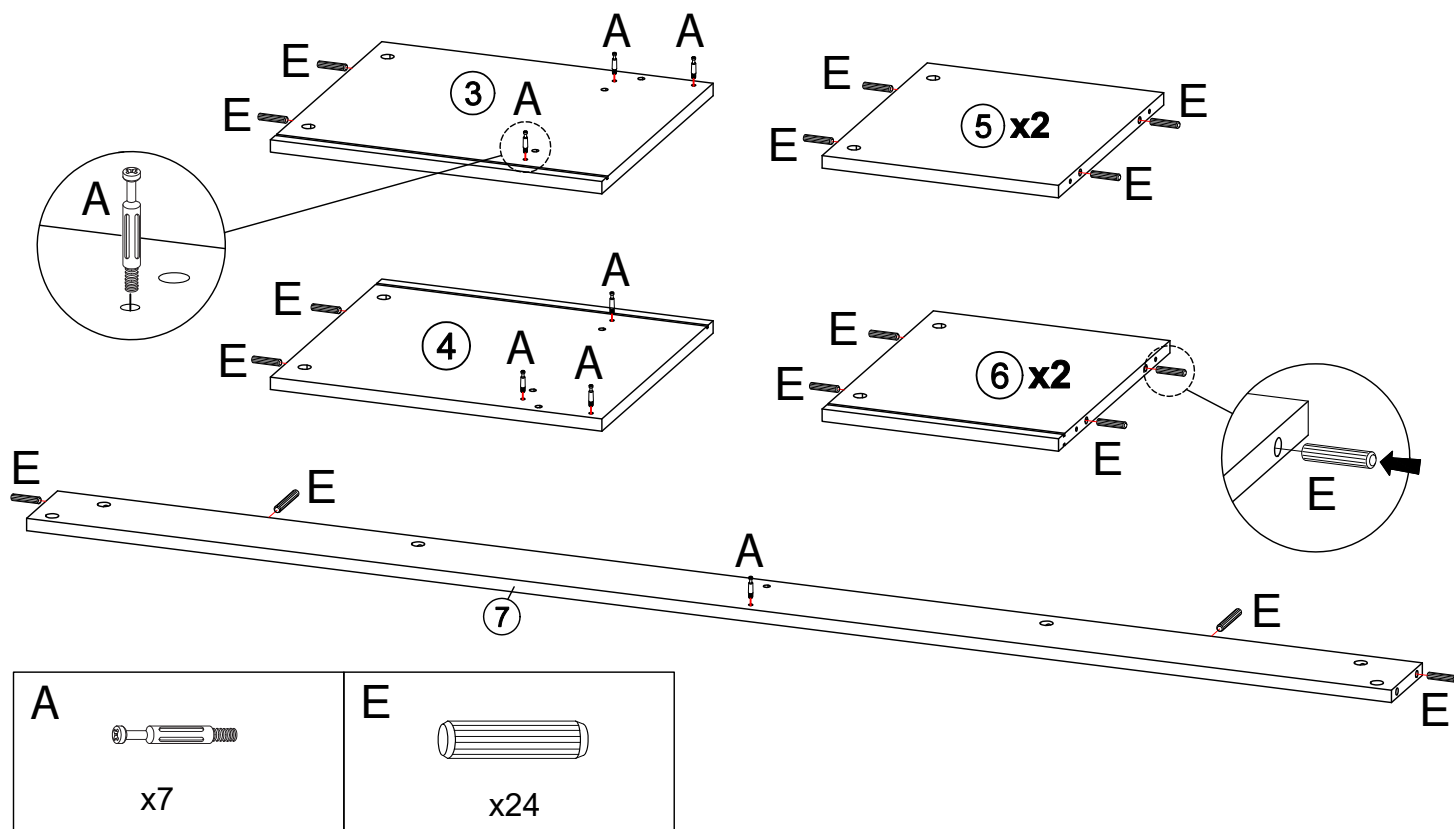
Components - Parts

<p>①</p> 	<p>②</p> 	<p>⑦</p> 
<p>Top Panel 1668*38*30 1PC</p>	<p>Bottom Panel 1668*360*15 1PC</p>	<p>Cabinet Leg 1666*100*15 1PC</p>
<p>⑩</p> 	<p>⑪</p> 	<p>⑫</p> 
<p>Up Top Panel 1700*200*30 2PC</p>	<p>Up Side Panel (L) 1365*180*15 1PC</p>	<p>Up Side Panel (R) 1365*180*15 1PC</p>
<p>⑬</p> 	<p>⑭</p> 	<p>⑯</p> 
<p>Up Center Panel (1) 1365*180*15 1PC</p>	<p>Up Center Panel (2) 1365*180*15 1PC</p>	<p>Up Middle Panel 657*180*15 2PC</p>
<p>⑳</p> 		
<p>Back Panel (Center) 1372*329*4 1PC</p>	<p>Hardware kid x1</p>	

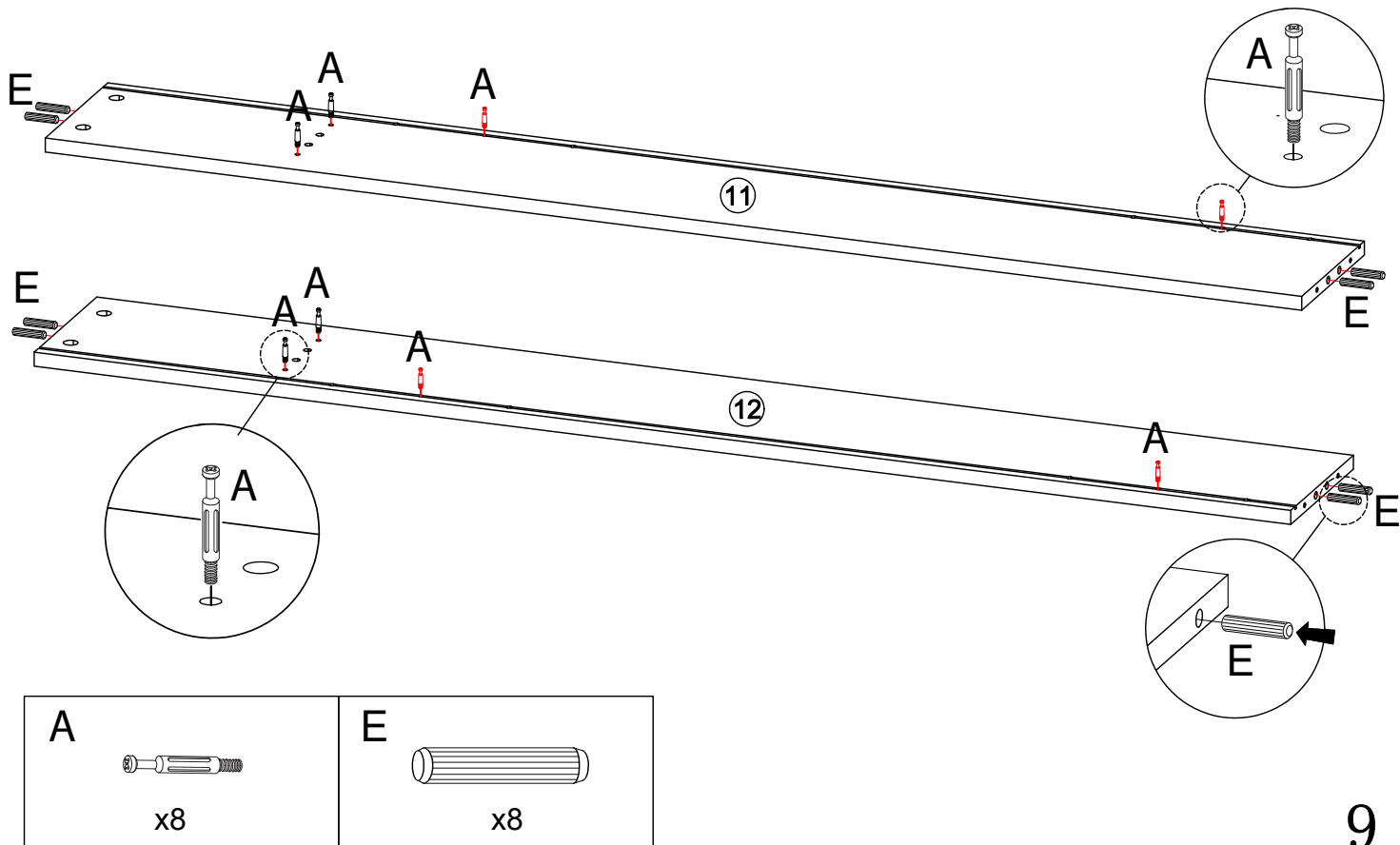
Assembly Instructions



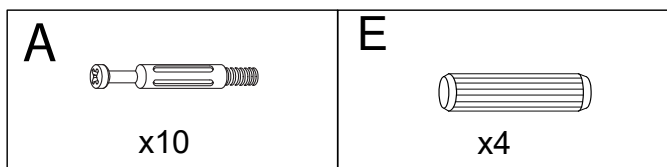
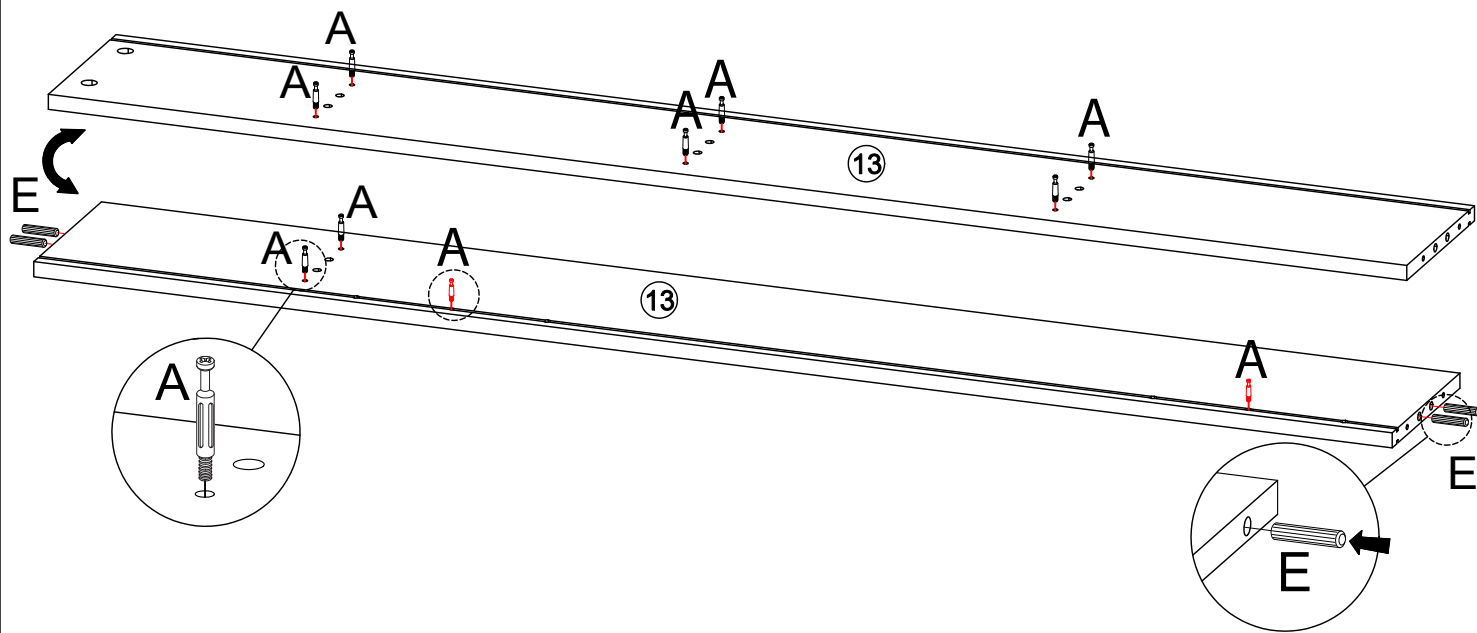
STEP 3



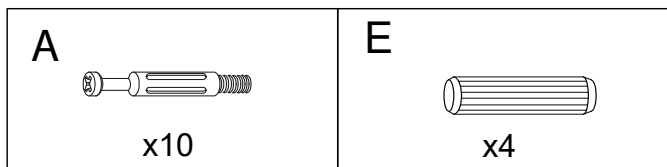
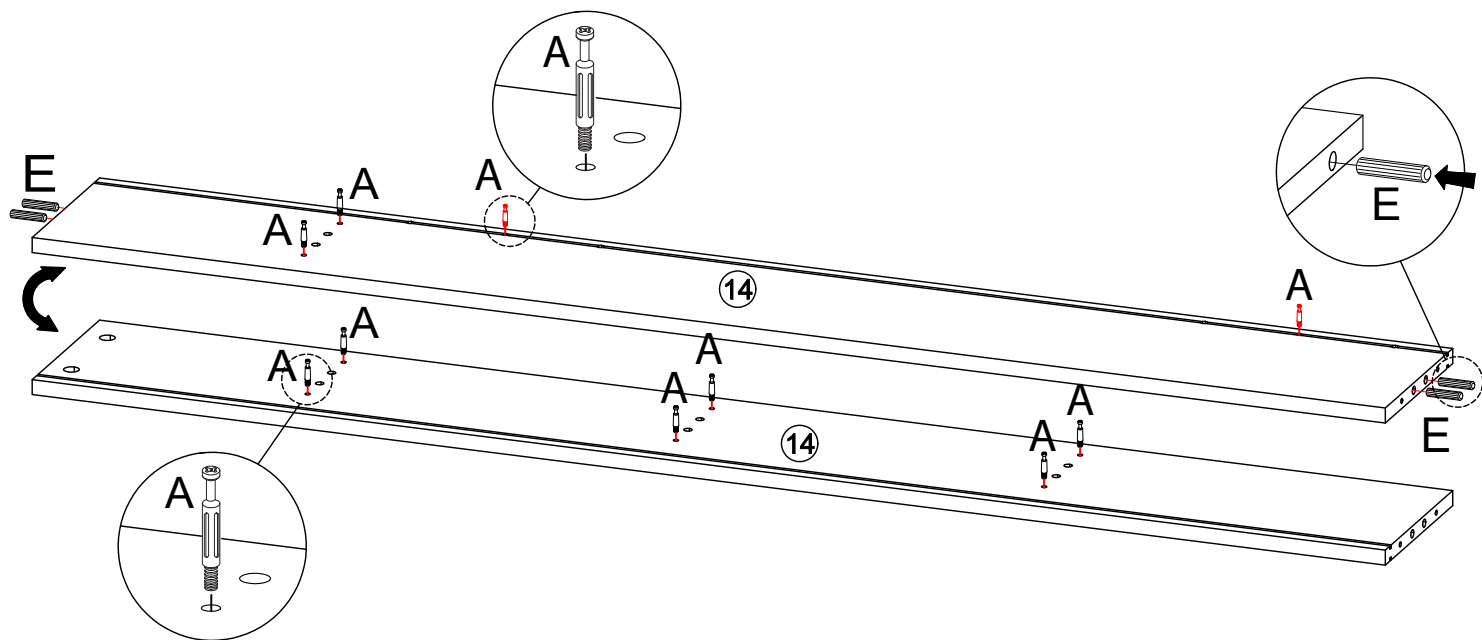
STEP 4



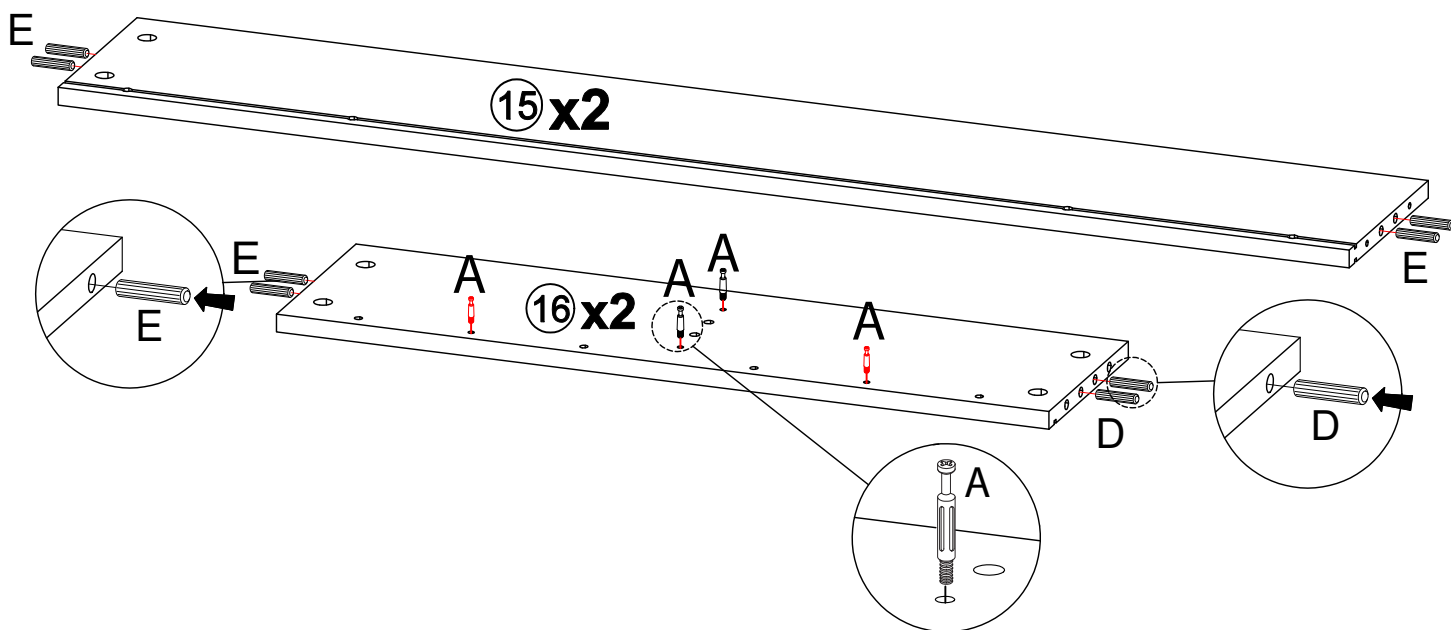
STEP 5






STEP 6

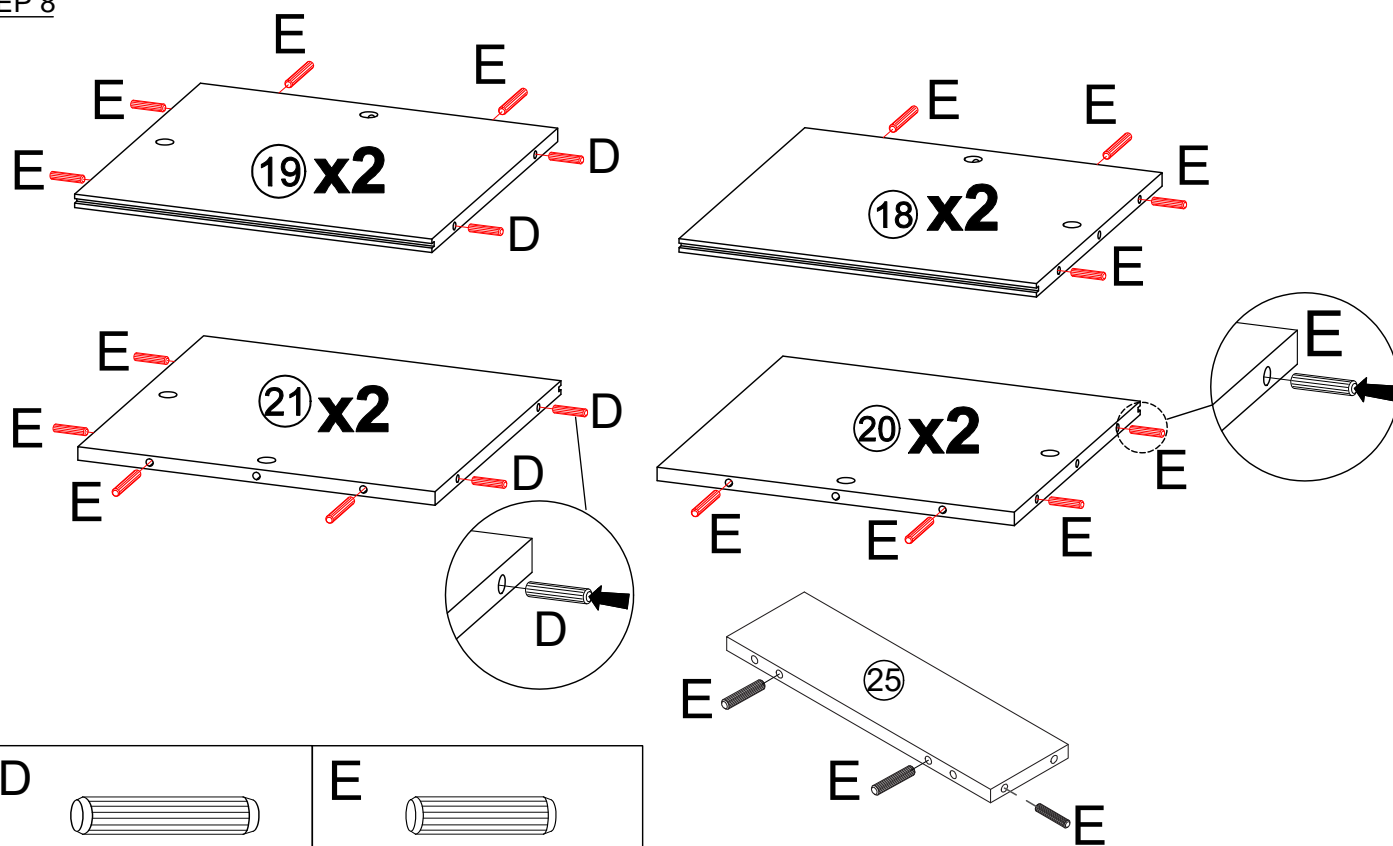




STEP 7



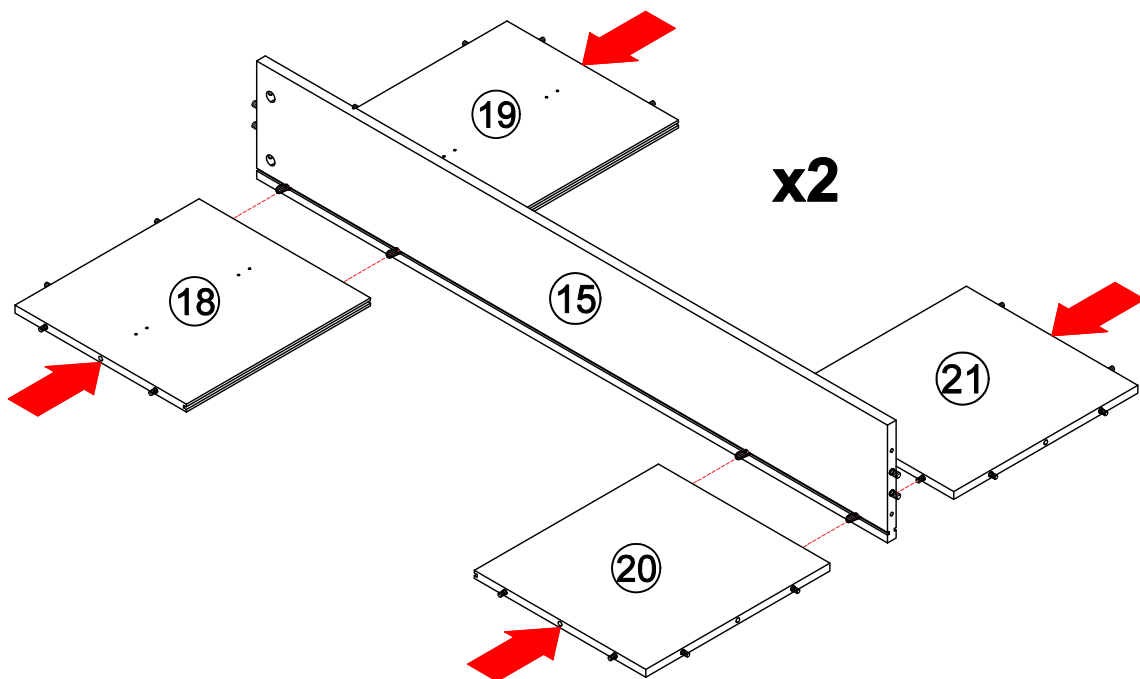
<p>A</p>  <p>x8</p>	<p>D</p>  <p>x4</p>	<p>E</p>  <p>x12</p>
--	--	---

STEP 8

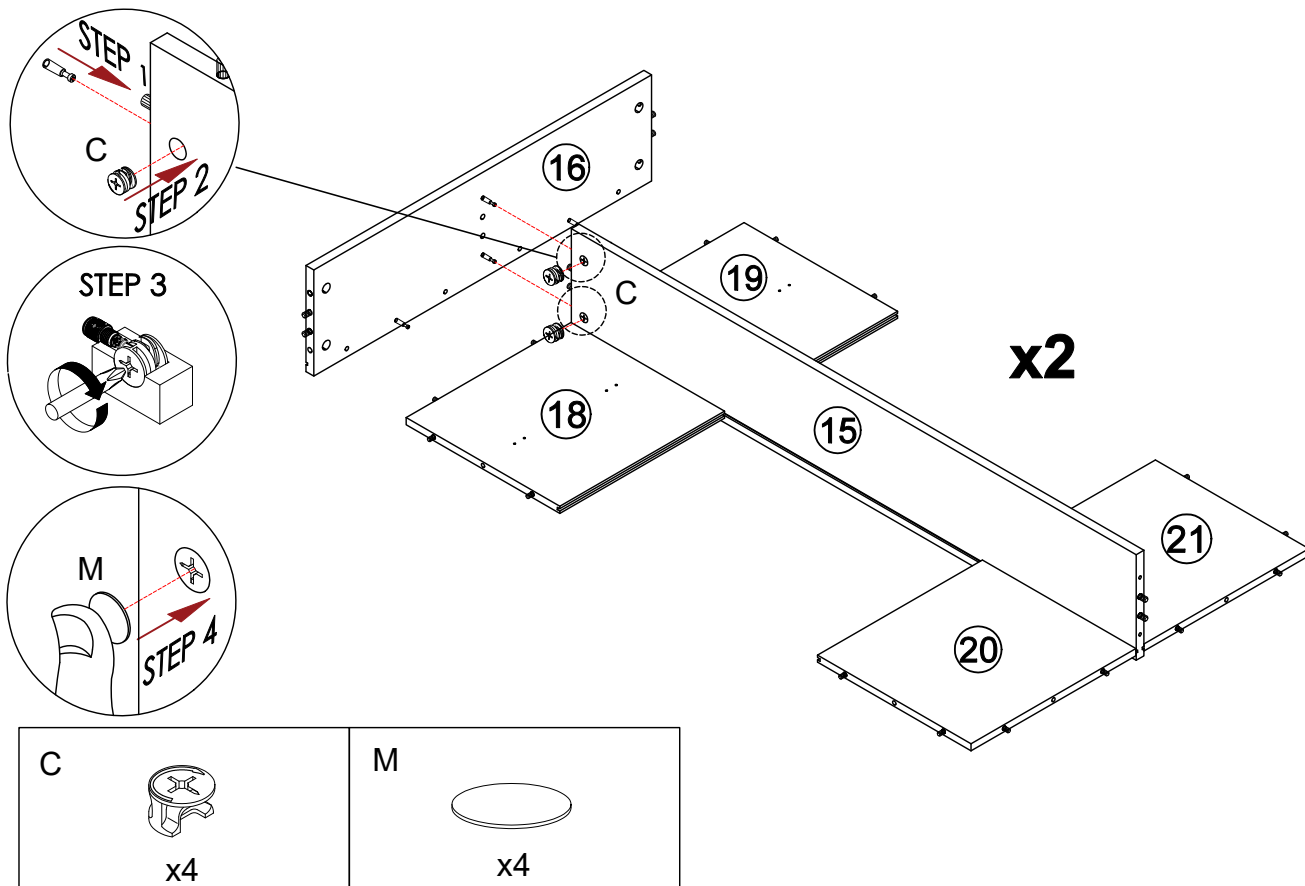


<p>D</p>  <p>x8</p>	<p>E</p>  <p>x35</p>
---	--

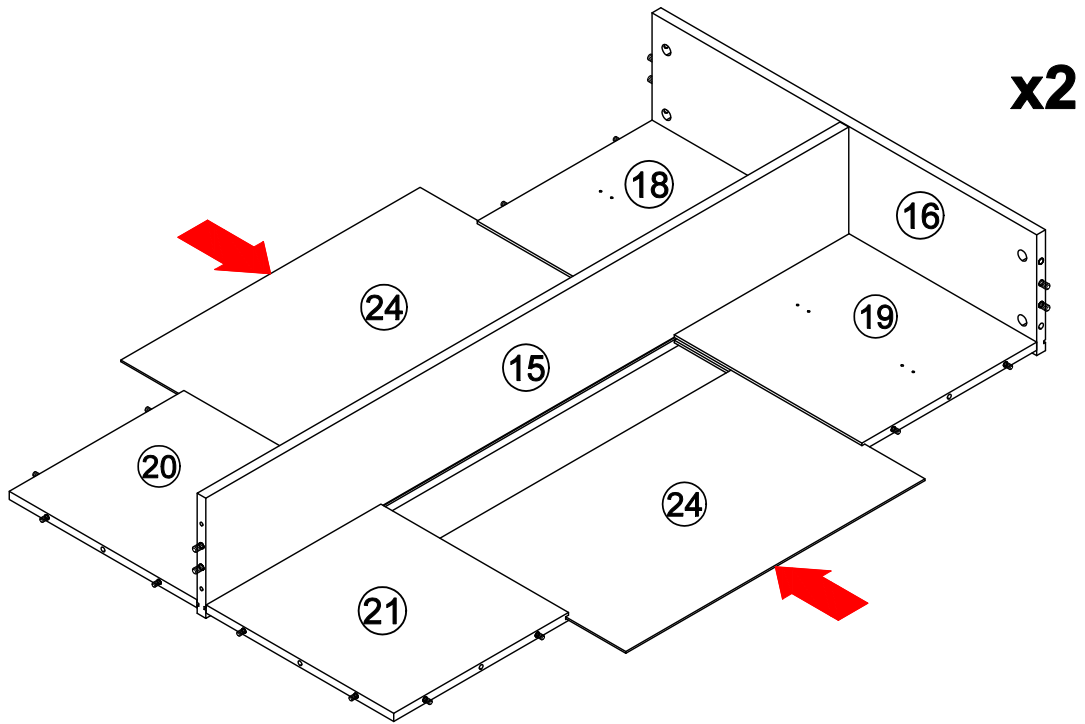
STEP 9



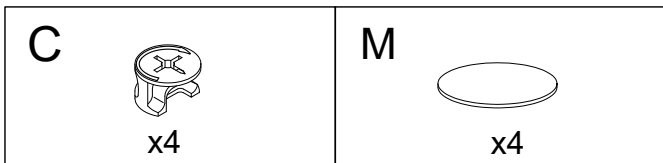
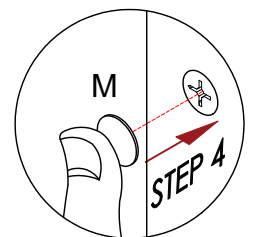
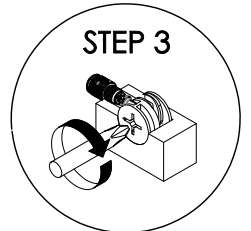
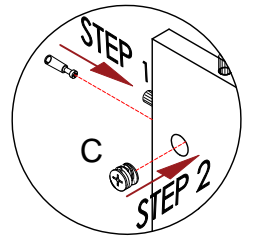
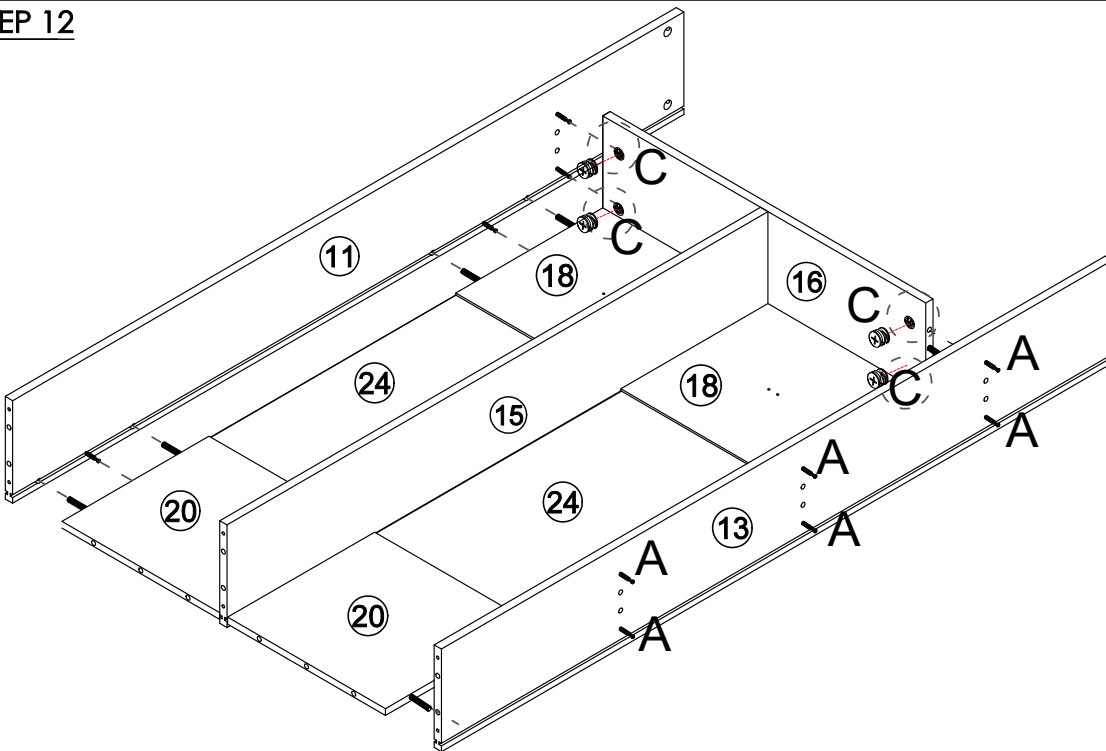
STEP 10



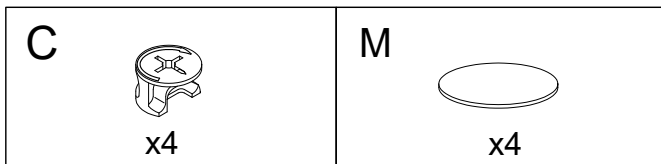
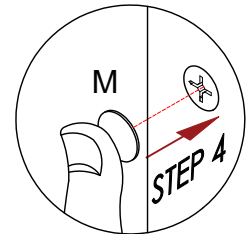
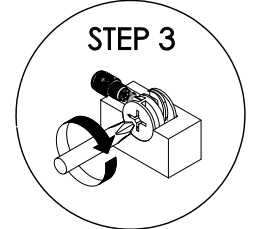
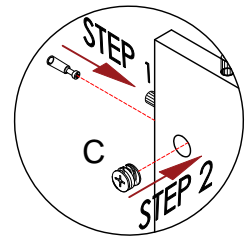
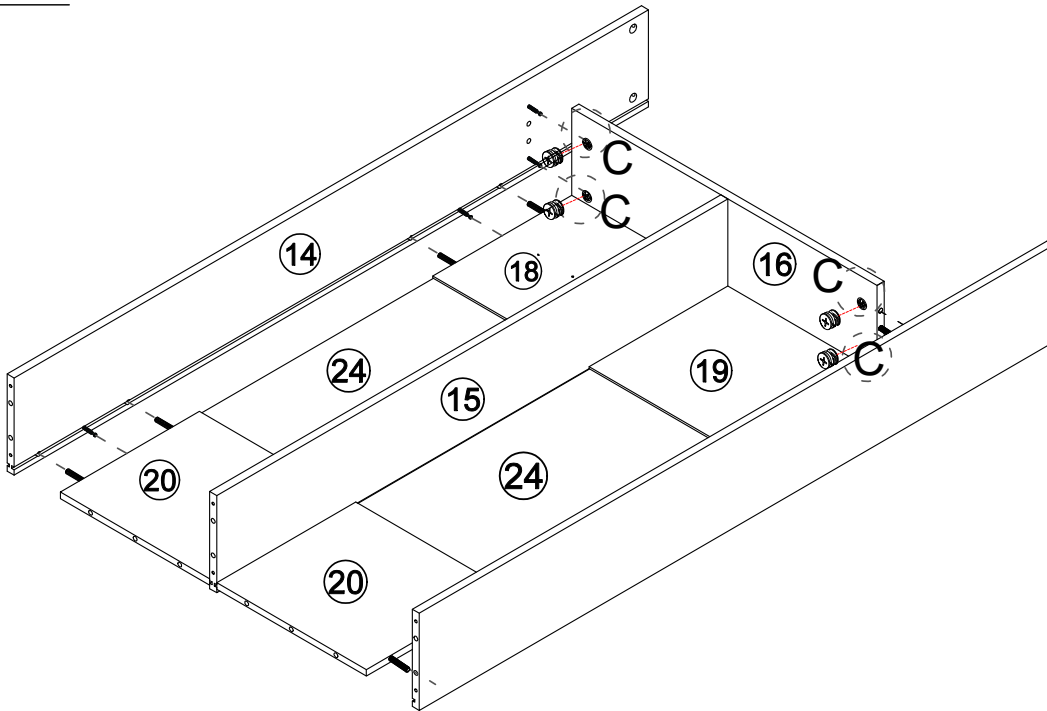
STEP 11



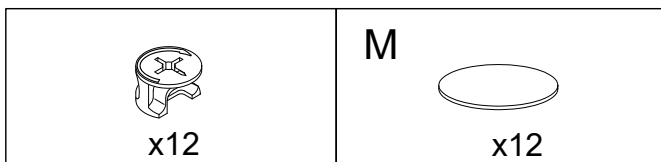
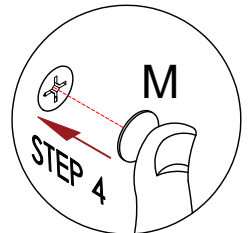
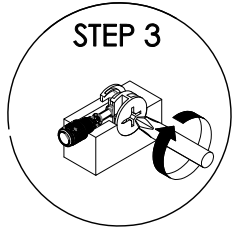
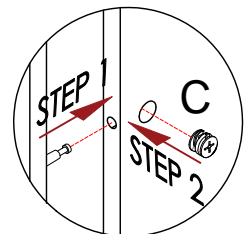
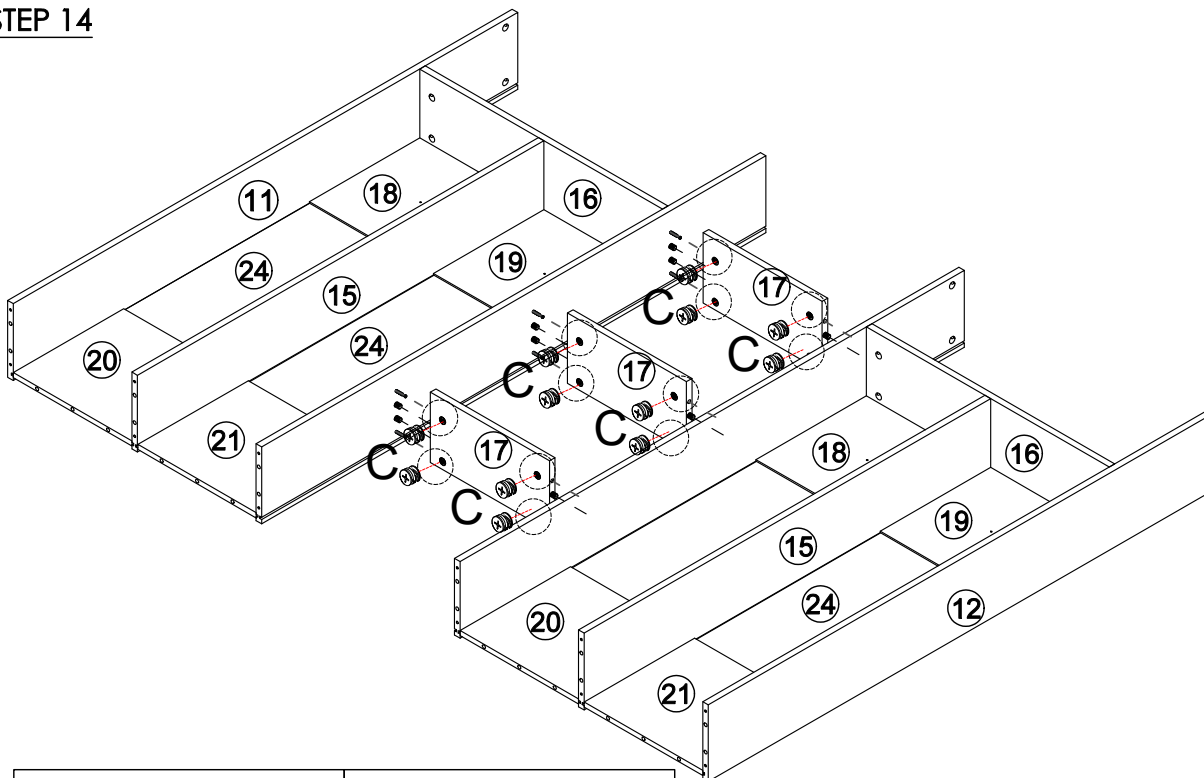
STEP 12



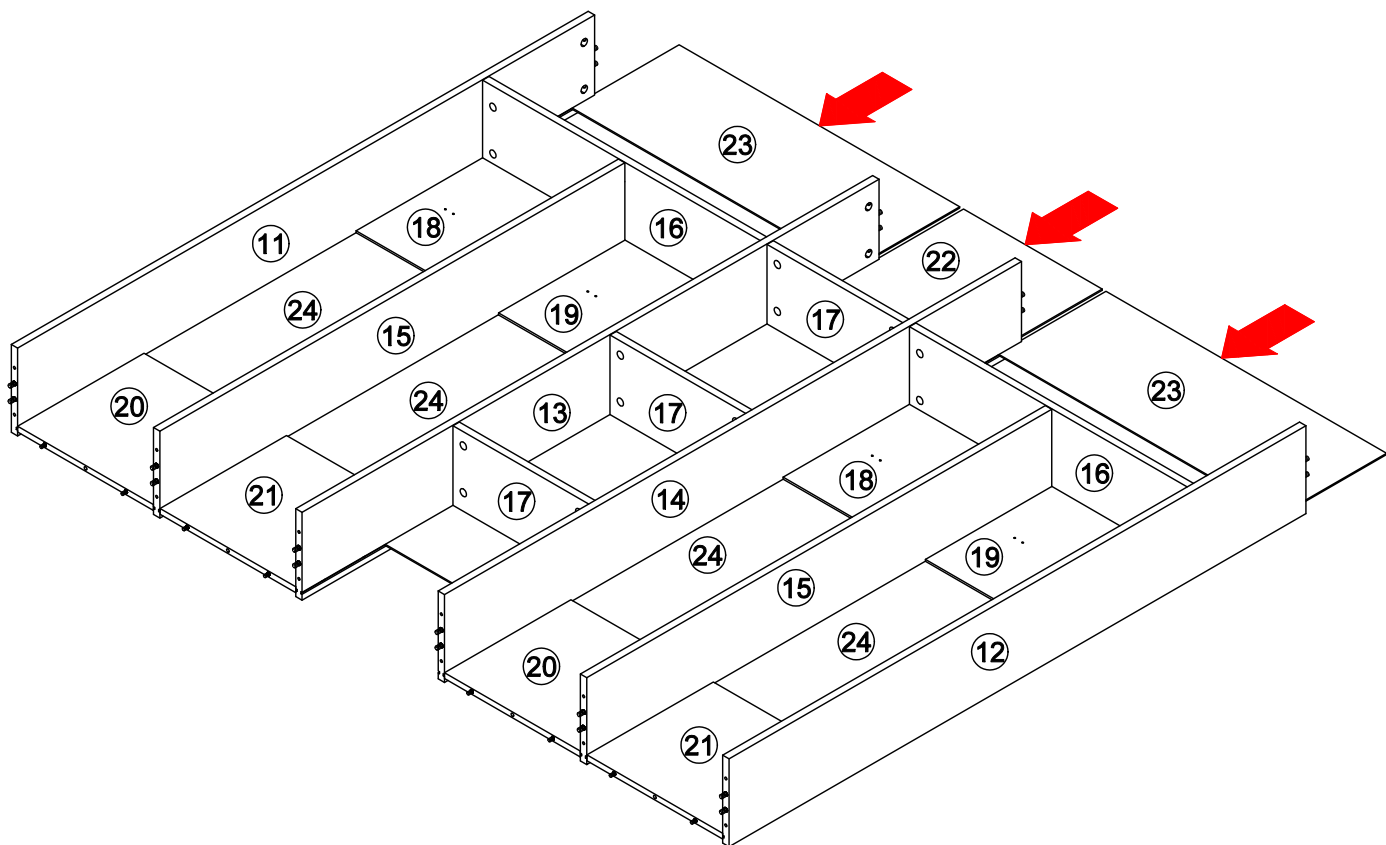
STEP 13



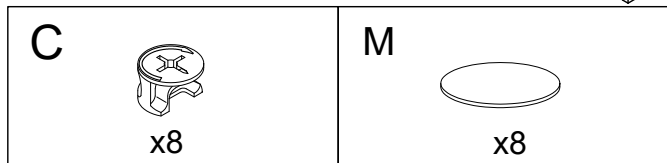
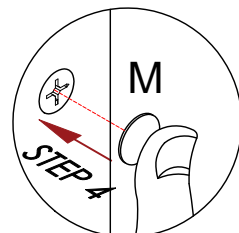
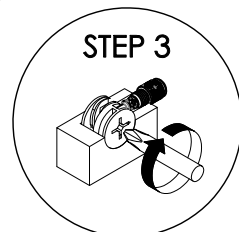
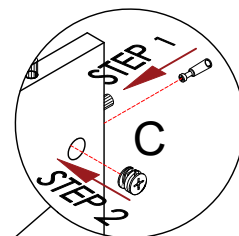
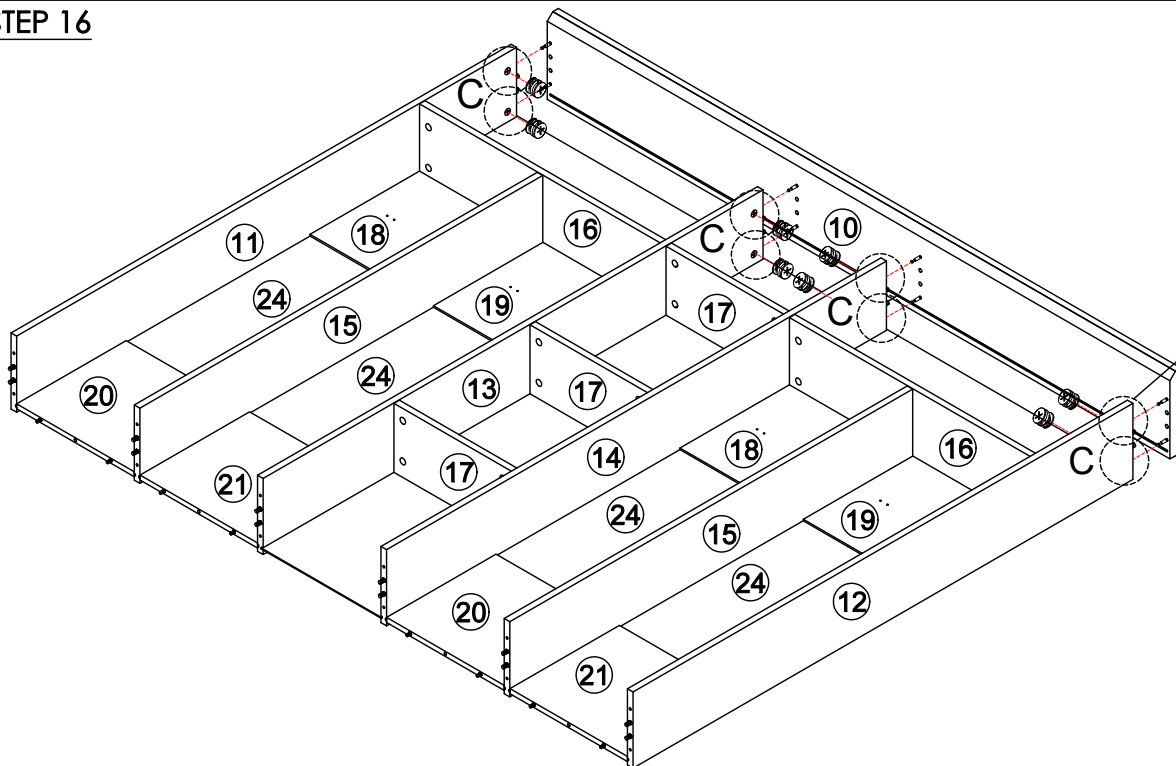
STEP 14



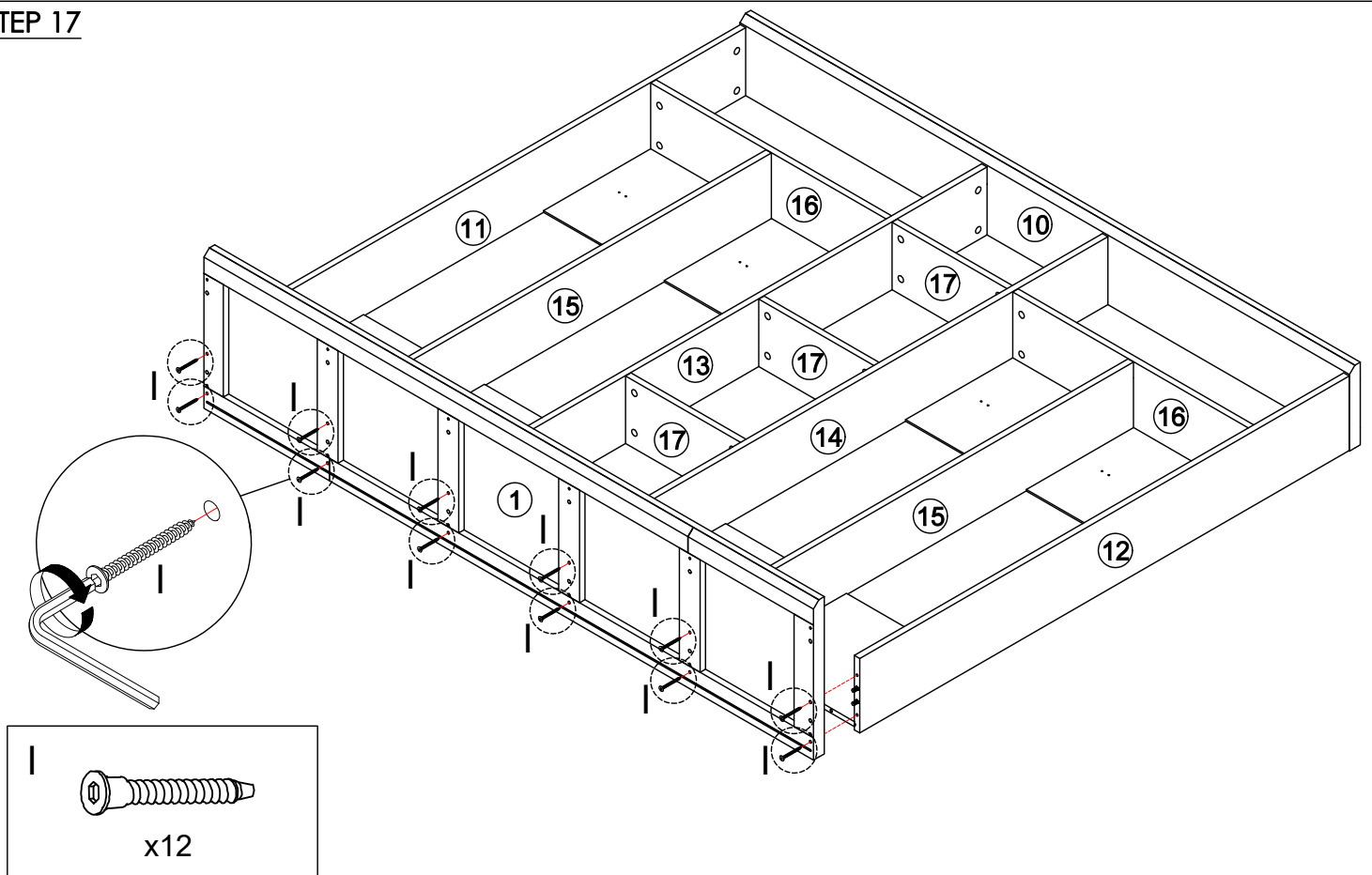
STEP 15



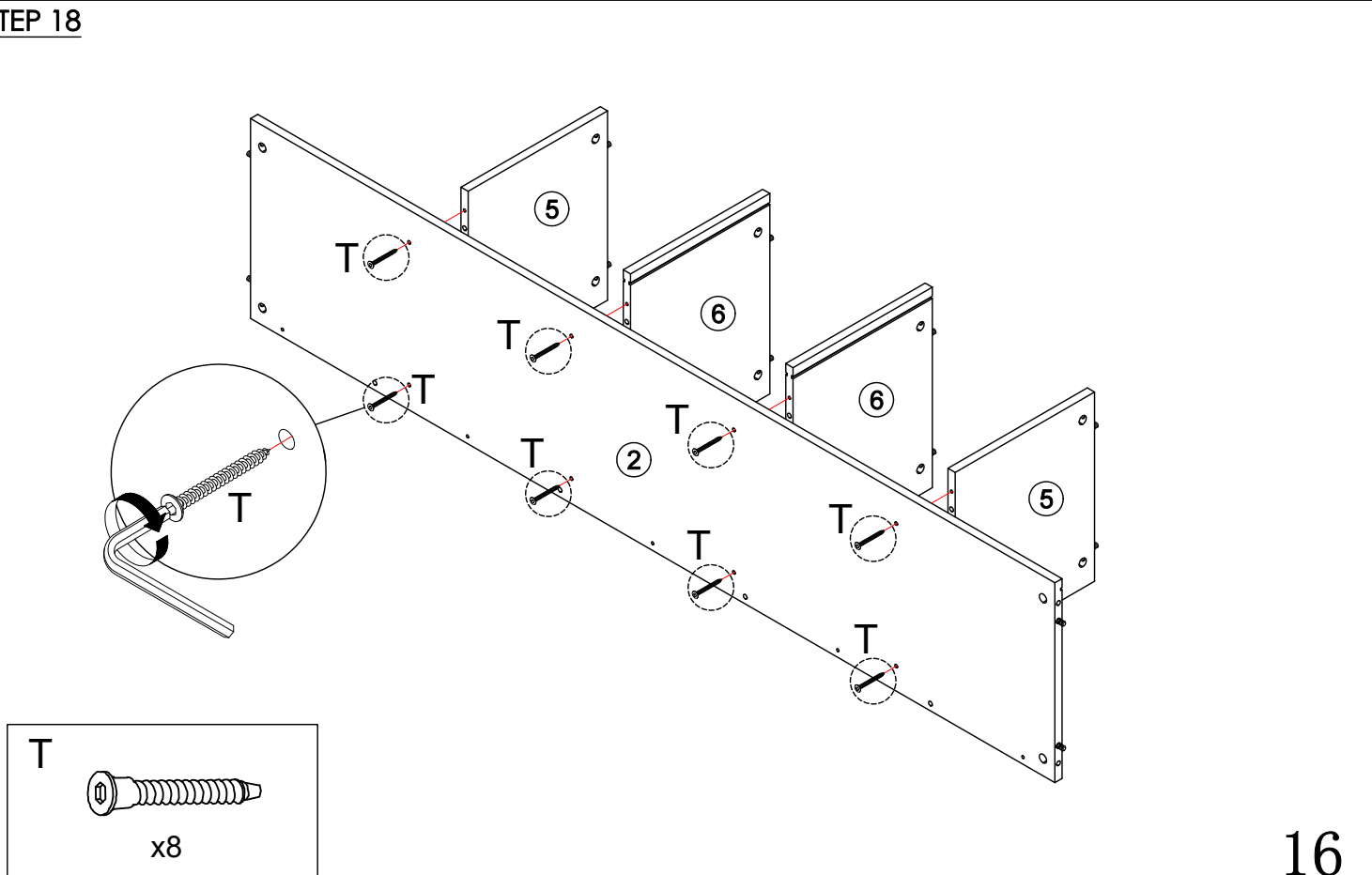
STEP 16



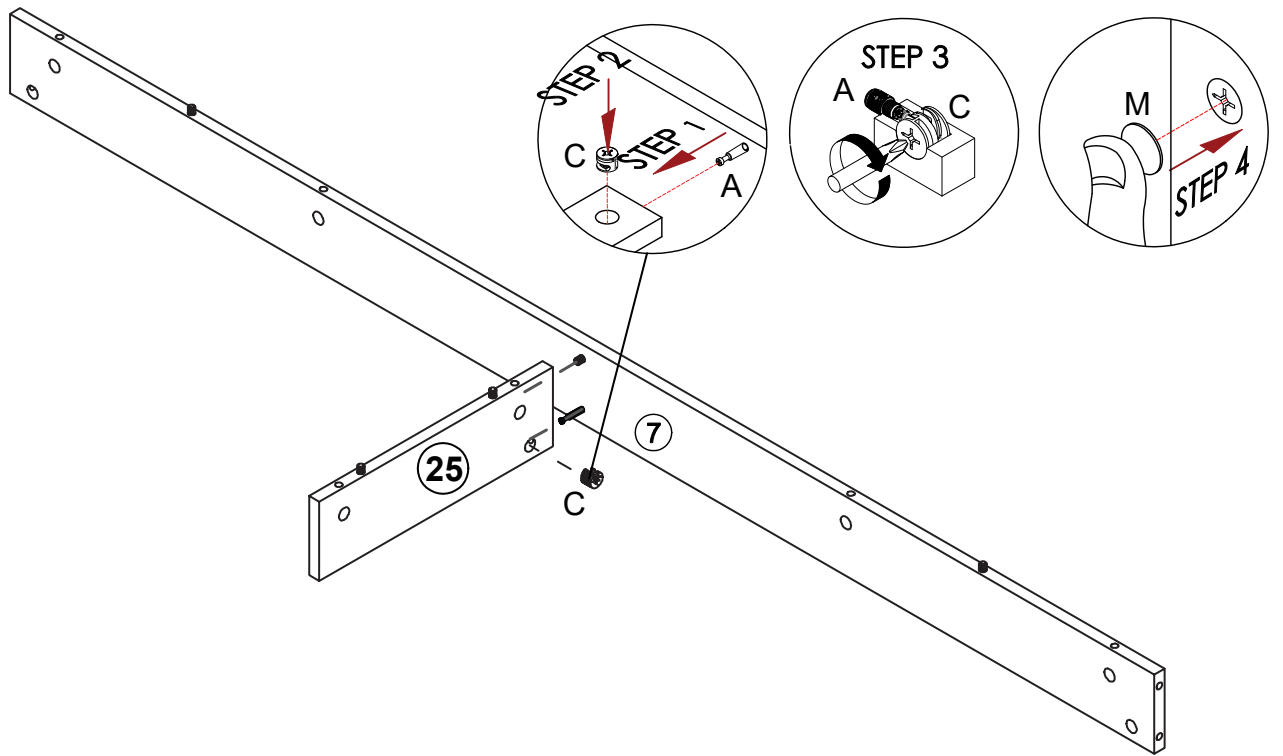
STEP 17





STEP 18

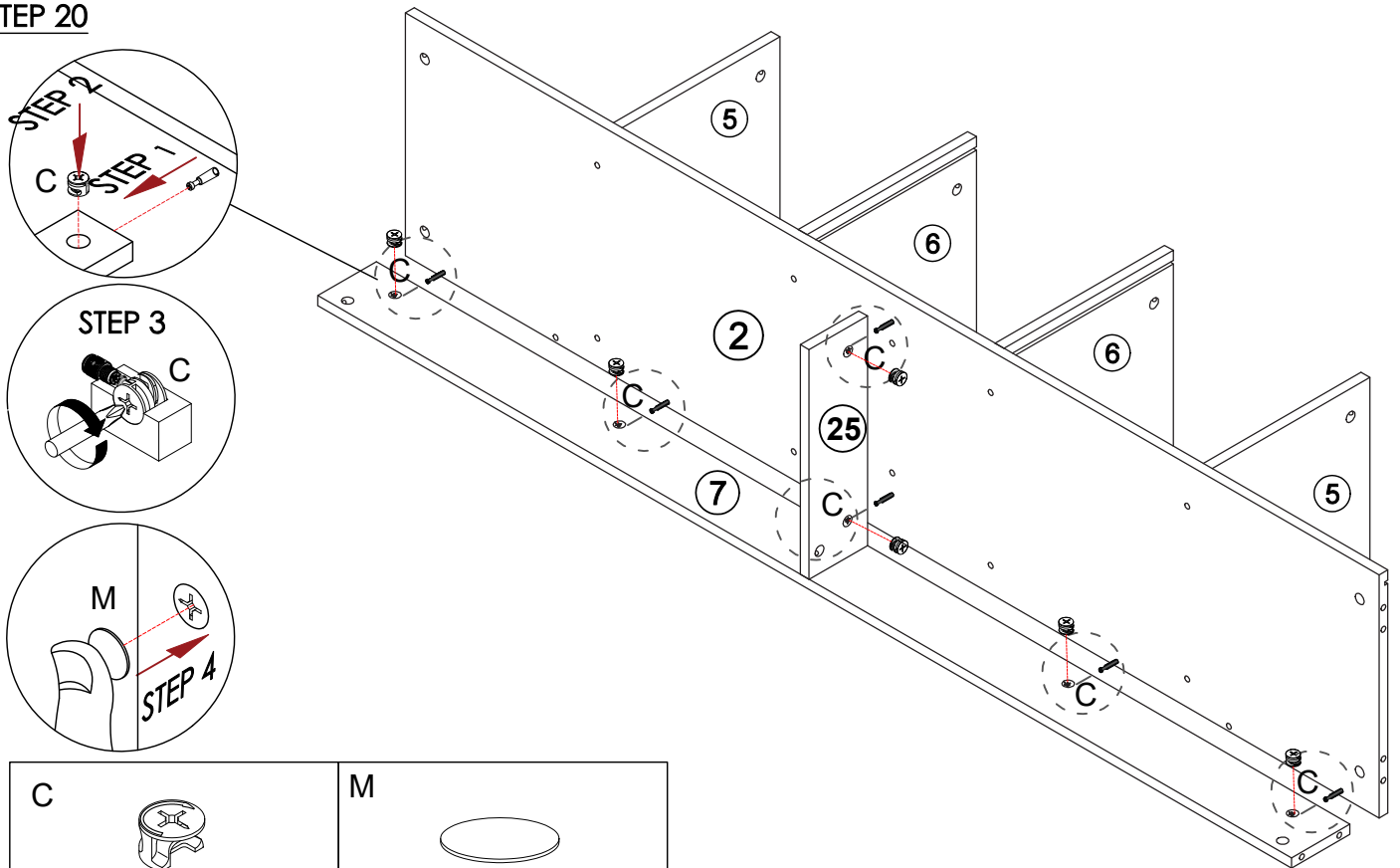




STEP 19



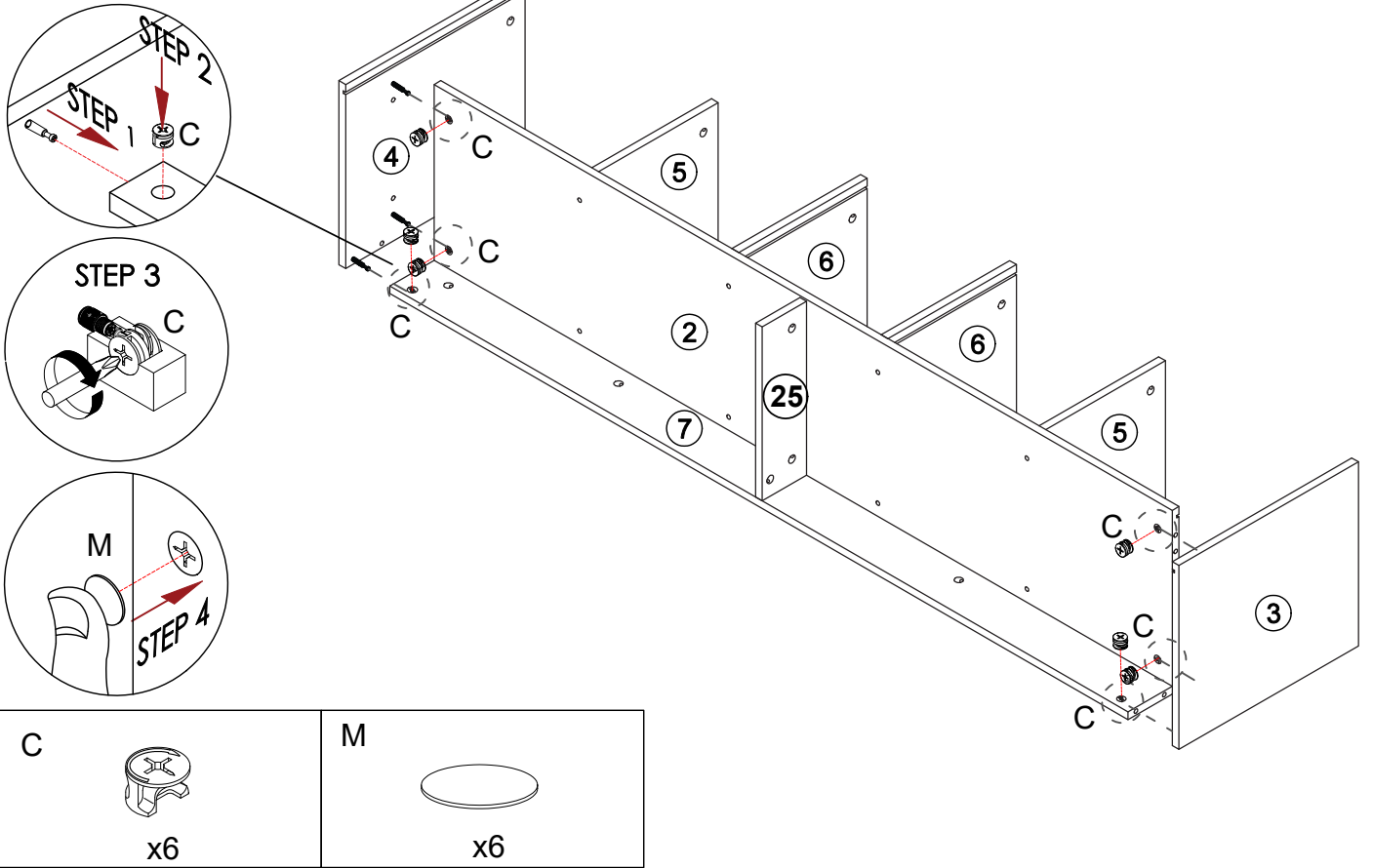
C		M	
	x1		x1

STEP 20

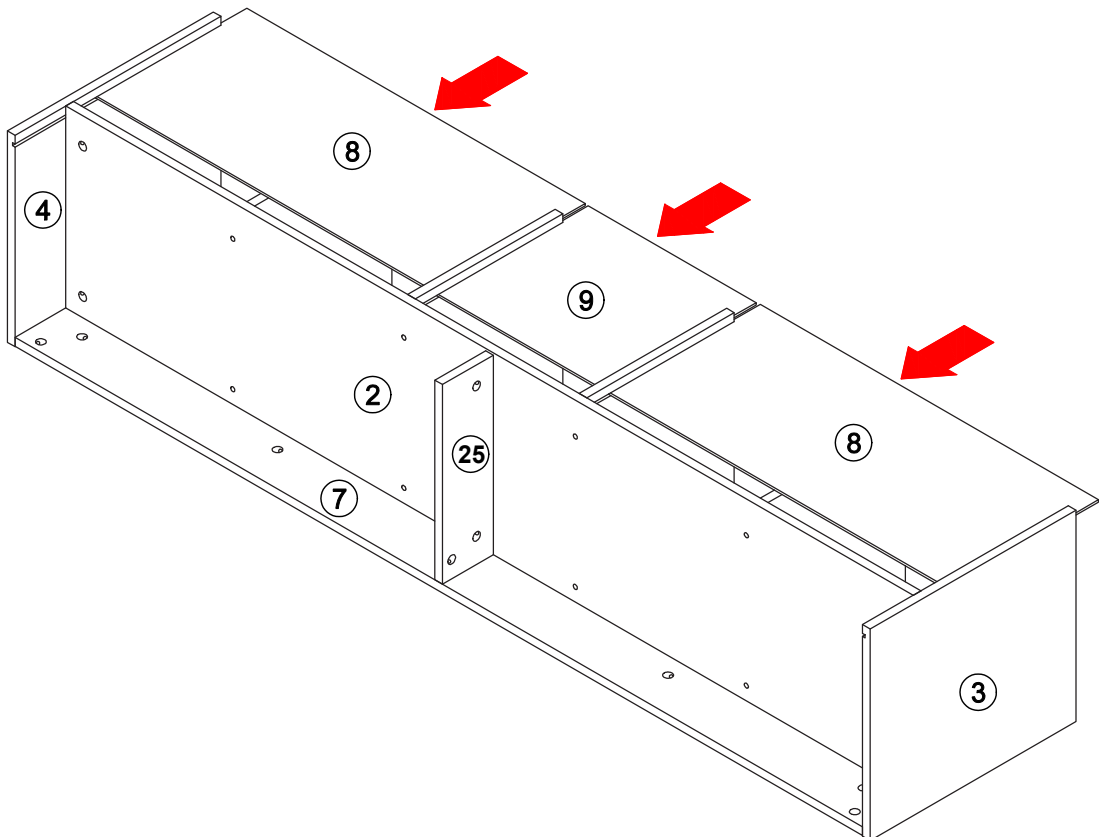


C		M	
	x6		x6

STEP 21

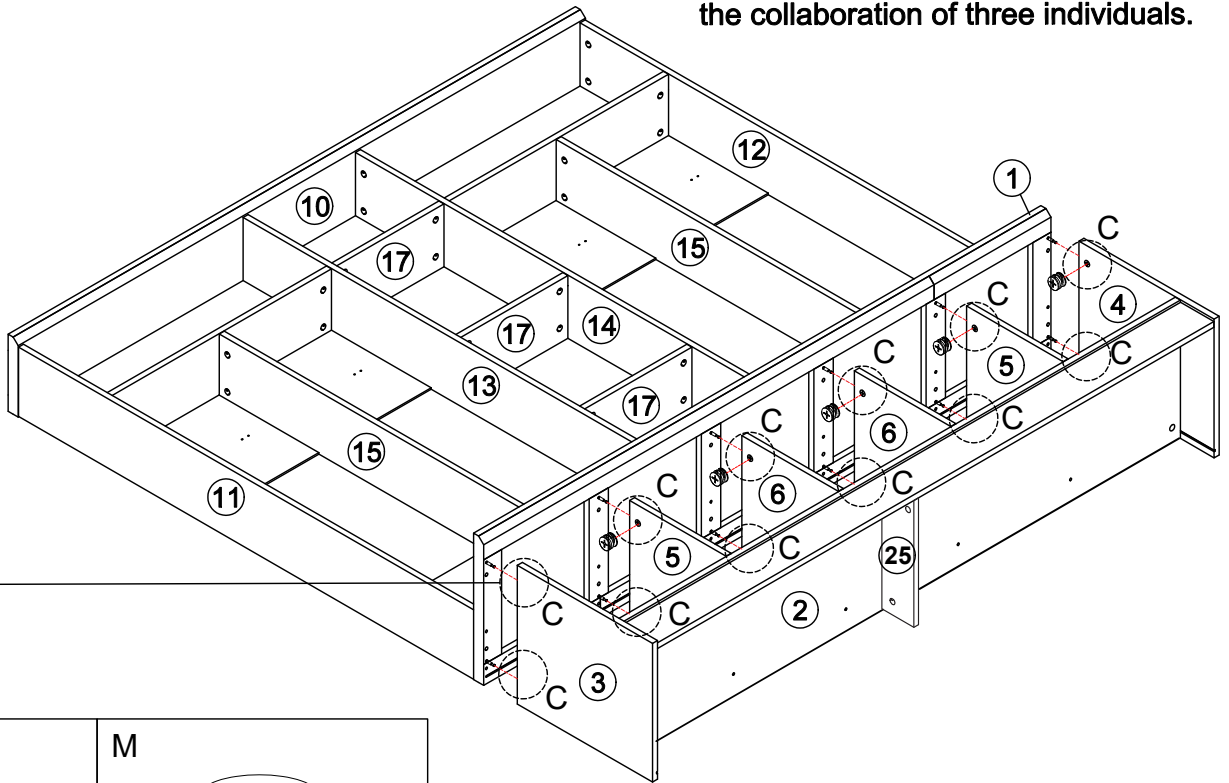
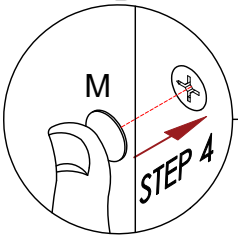
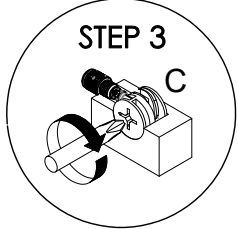
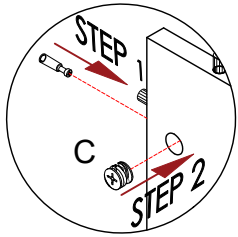




STEP 22



STEP 23

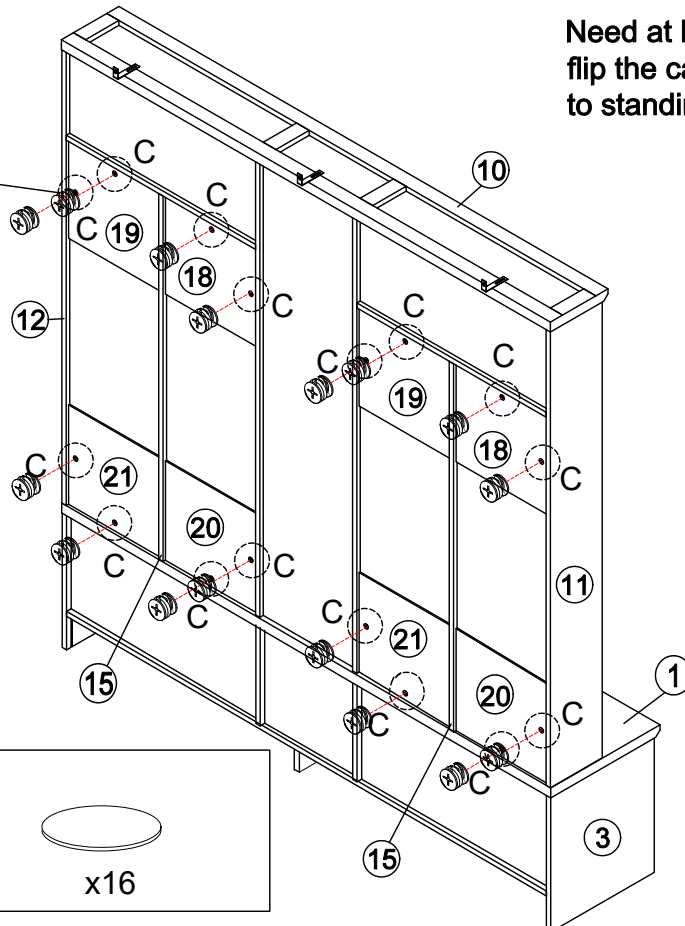
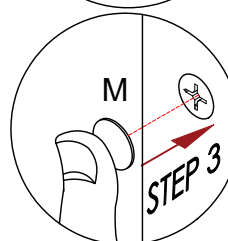
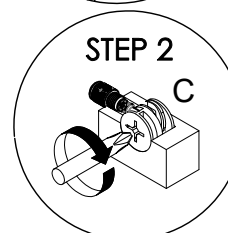
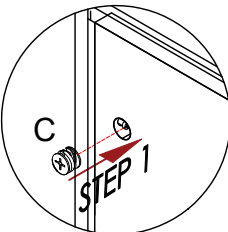
The assembly process requires the collaboration of three individuals.





<p>C</p>  <p>x12</p>	<p>M</p>  <p>x12</p>
--	---

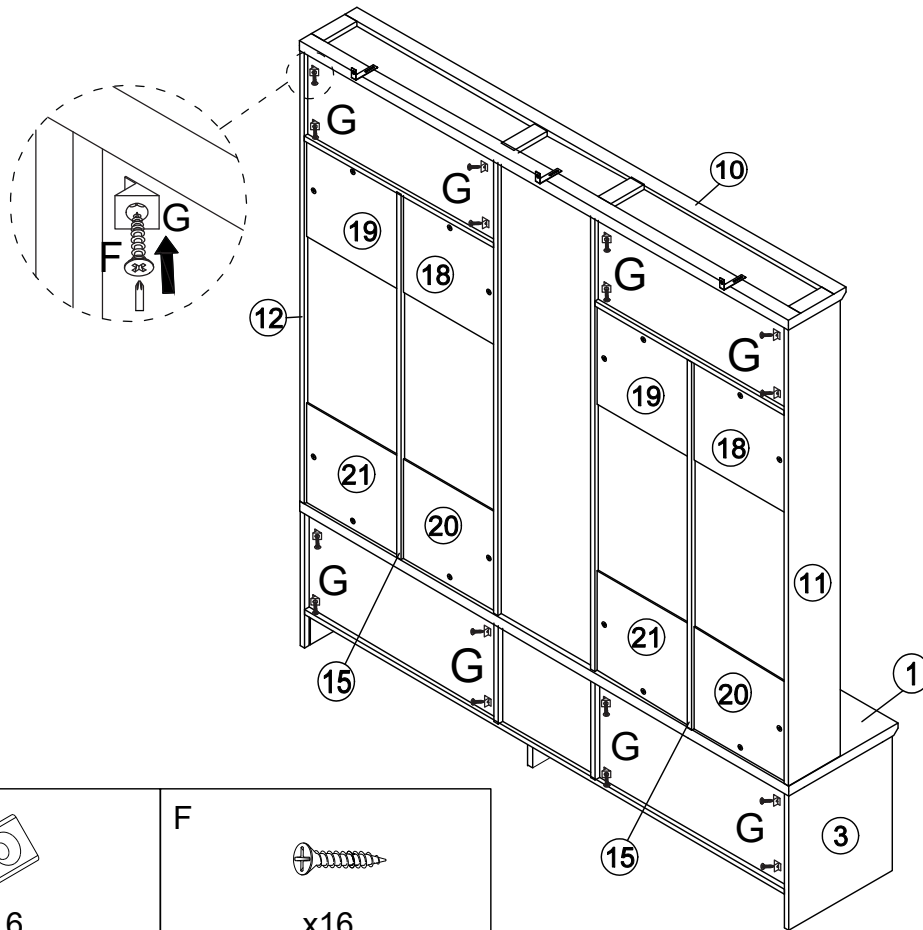
STEP 24

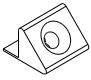
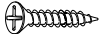
Need at least three person to flip the cabinet carefully to standing position.



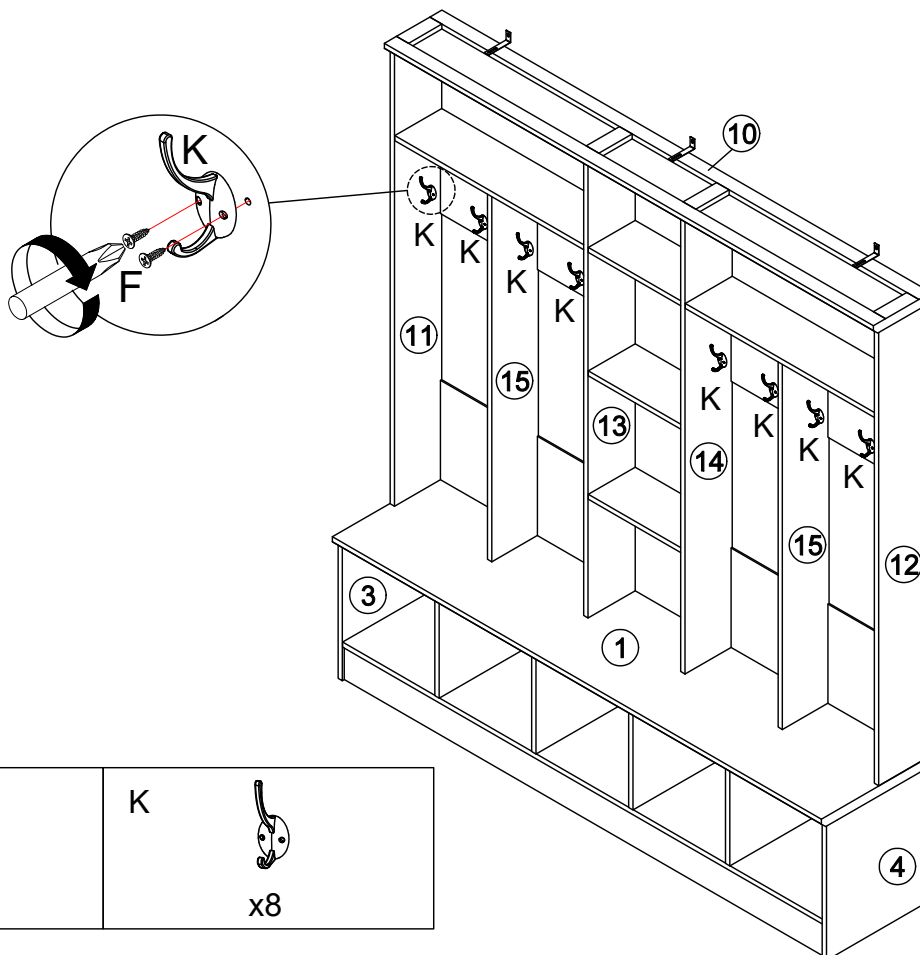
<p>C</p>  <p>x16</p>	<p>M</p>  <p>x16</p>
---	---



STEP 25



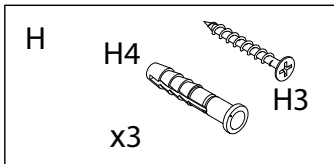
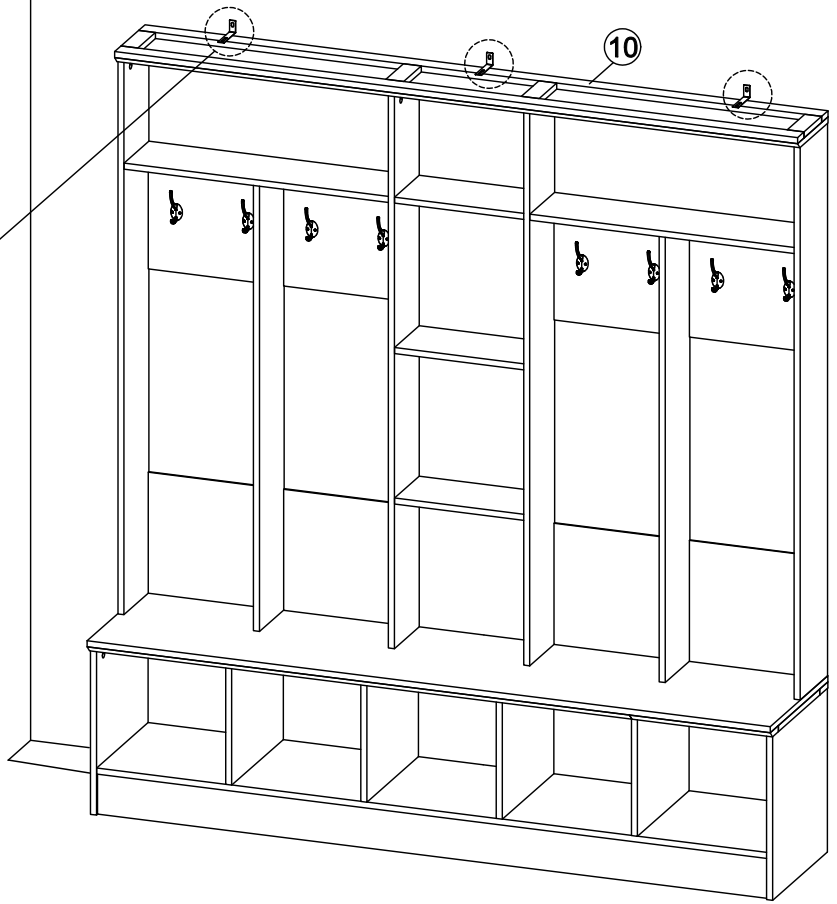
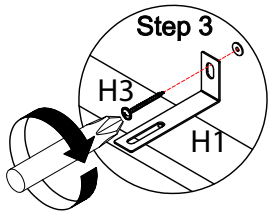
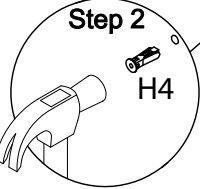
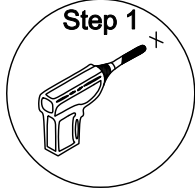
<p>G</p>  <p>x16</p>	<p>F</p>  <p>x16</p>
---	---

STEP 26



<p>F</p>  <p>x16</p>	<p>K</p>  <p>x8</p>
--	---

STEP 27



STEP 28

