
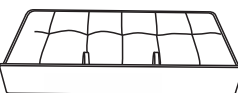

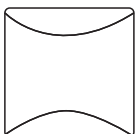


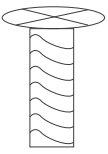
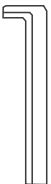
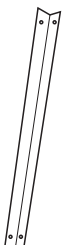

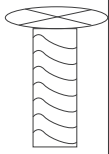
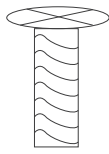
ASSEMBLY INSTRUCTION FOR ACME FURNITURE

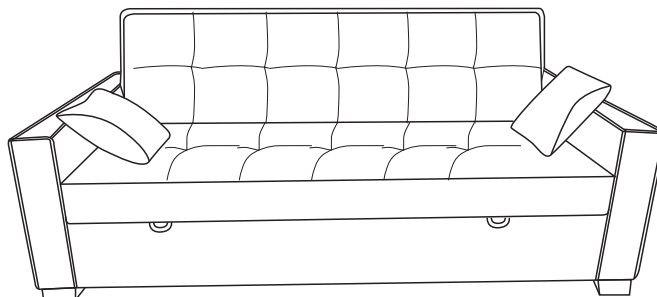
ITEM#LV00824

Thank you for purchasing the quality product. Be sure to check all packing material carefully for small parts which may have come loose inside the carton during shipment. Separate, identify and count all parts and metal hardware. Compare with all parts listed to be sure all parts are present. If any part(s) are missing or damaged, please contact your local furniture dealer. For efficient and speedy service, please indicate the model number and code letter of part(s) needed.

HARDWARE REQUIRED

COMPONENT PARTS			
PART NAME			
① 	② 	③ 	④ 
Sofa Arm	Sofa Base	Sofa Base	Pillow
2 PCS	1 PCS	1 PCS	2 PCS

A	B	C	D	E	F
					
5/16*1-1/4	"			5/16*1	1/4*1
Screw	Allen Wrench	Connecting Angle	Connecting-rod	Screw	Screw
6PCS	1PCS	2PCS	1PCS	4PCS	4PCS

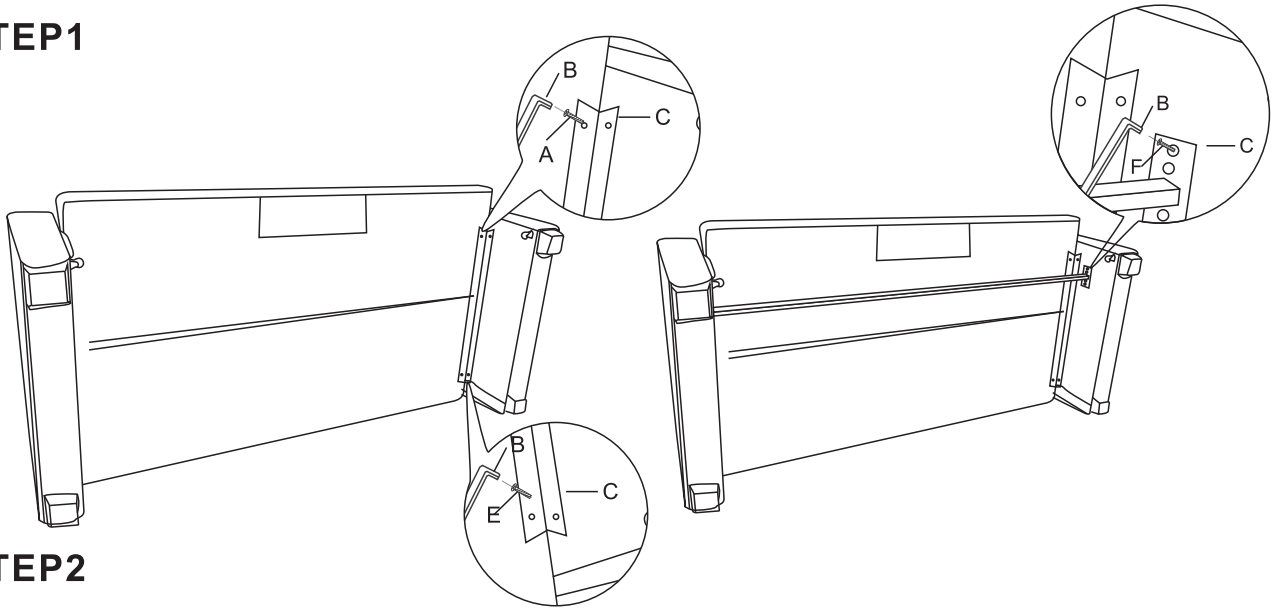


Attention

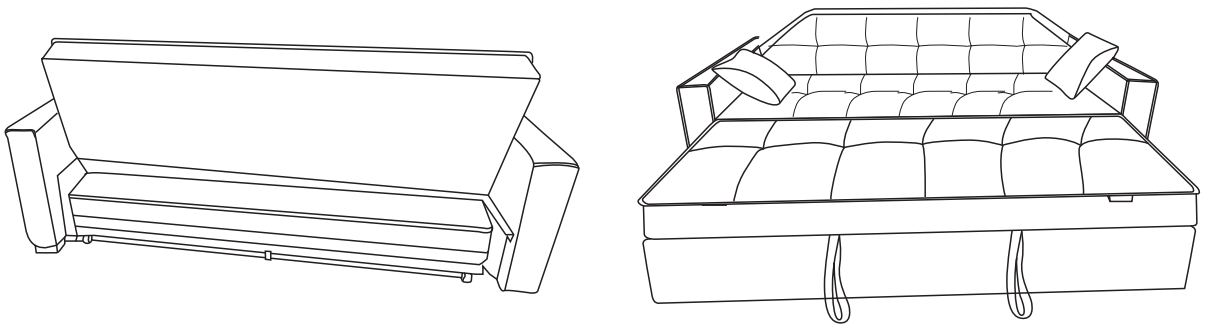
Some number parts listed on the instruction sheet may not be in parts bag as they may be assembled. Carefully check parts and packing materials prior to ordering replacements ***

How to assemble & Steps:

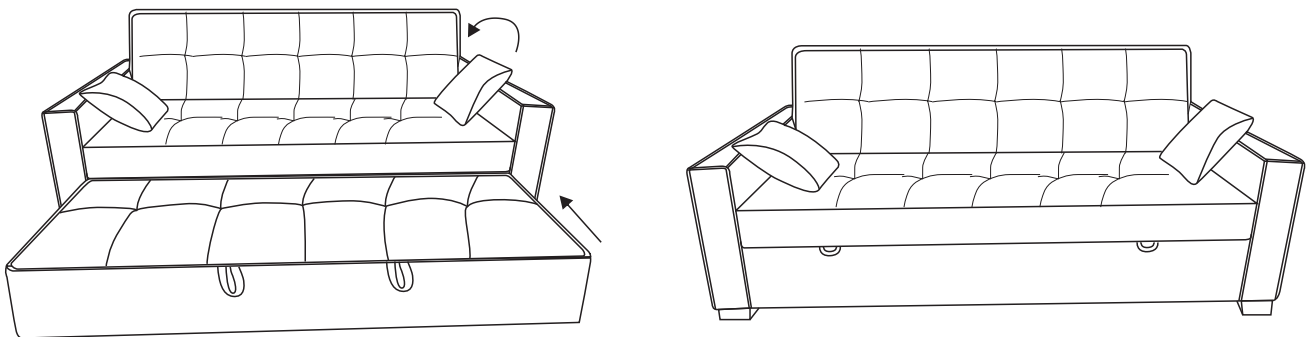
STEP 1



STEP 2



STEP 3



**SOME COMPONENTS INSIDE SOFA BED BASE,
PLEASE USE ZIP POCKET.**