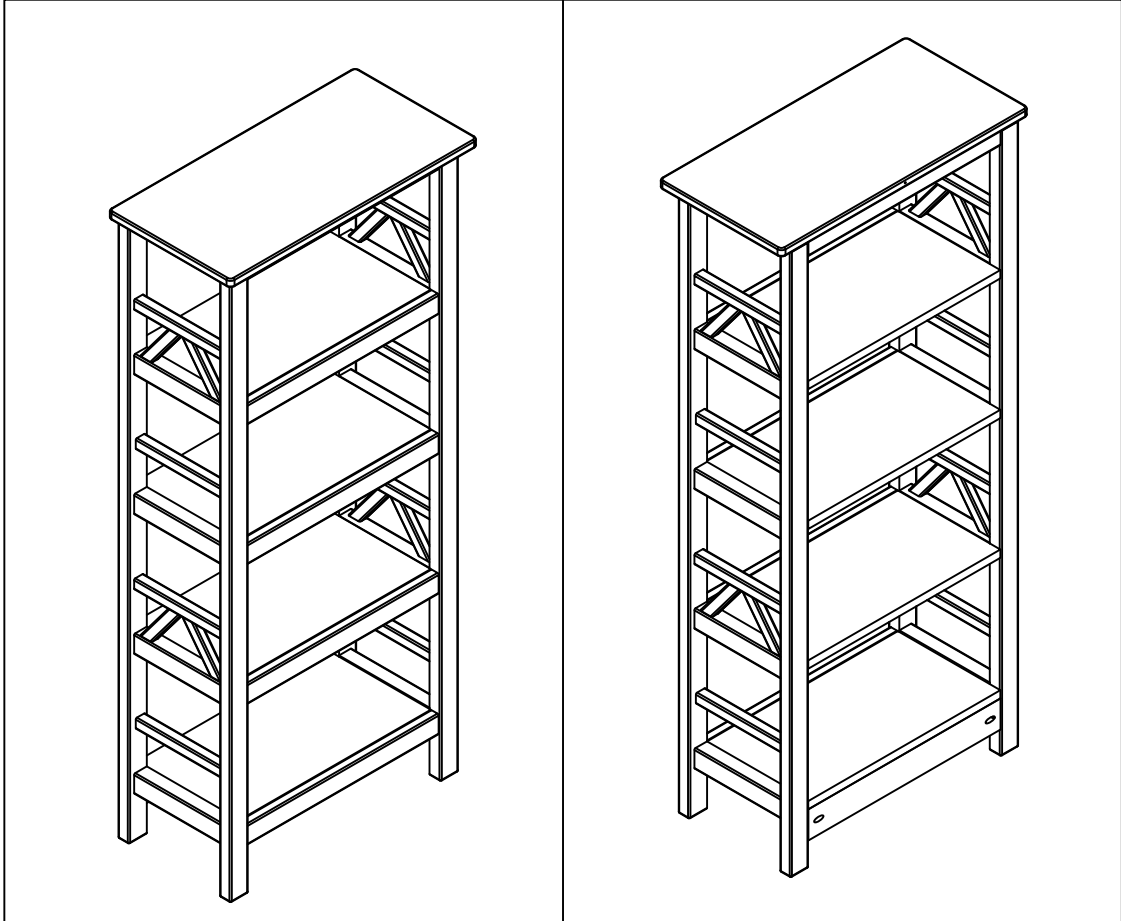
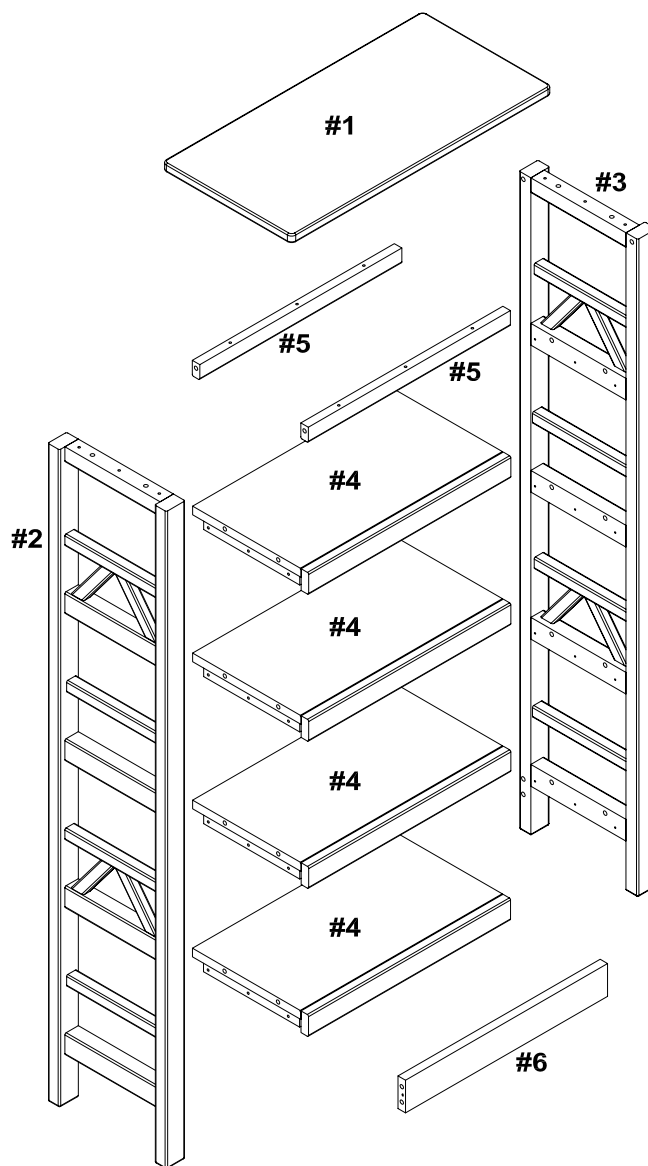


## BOOKCASE RUSTIC GRAY



**We are here to help! Before you return it - contact us.**



**A x 28**  
(Ø8x30mm)



**B x 12**  
(Ø4x40mm)



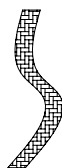
**C x 26**  
(Ø4x30mm)



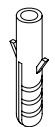
**D x 01**  
(Ø3.5x15mm)



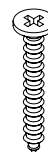
**E x 02**  
(Ø12mm)



**F x 01**



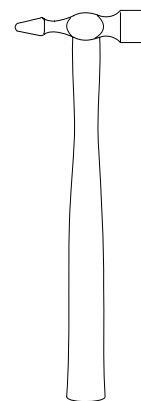
**G x 01**  
(30mm)



**H x 01**  
(Ø3.5x30mm)

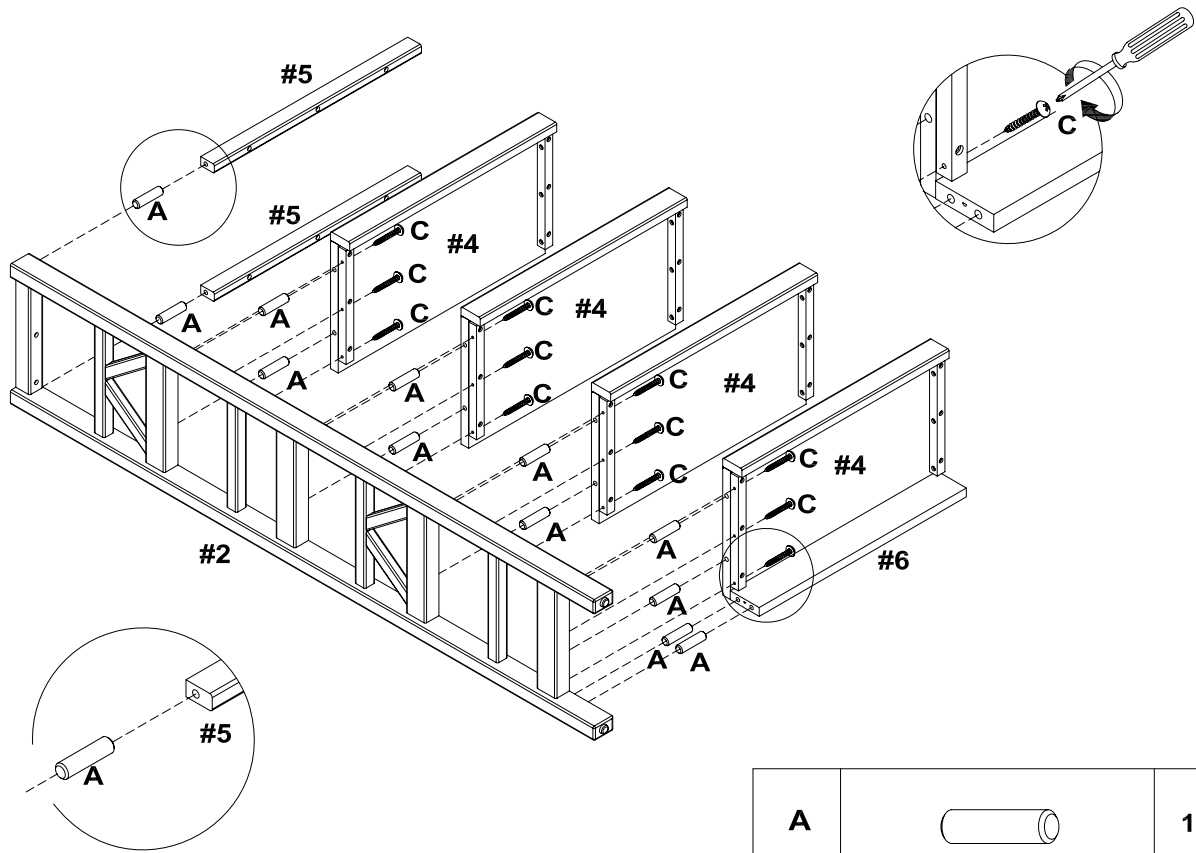


not supplied  
non fourni  
no suministrado



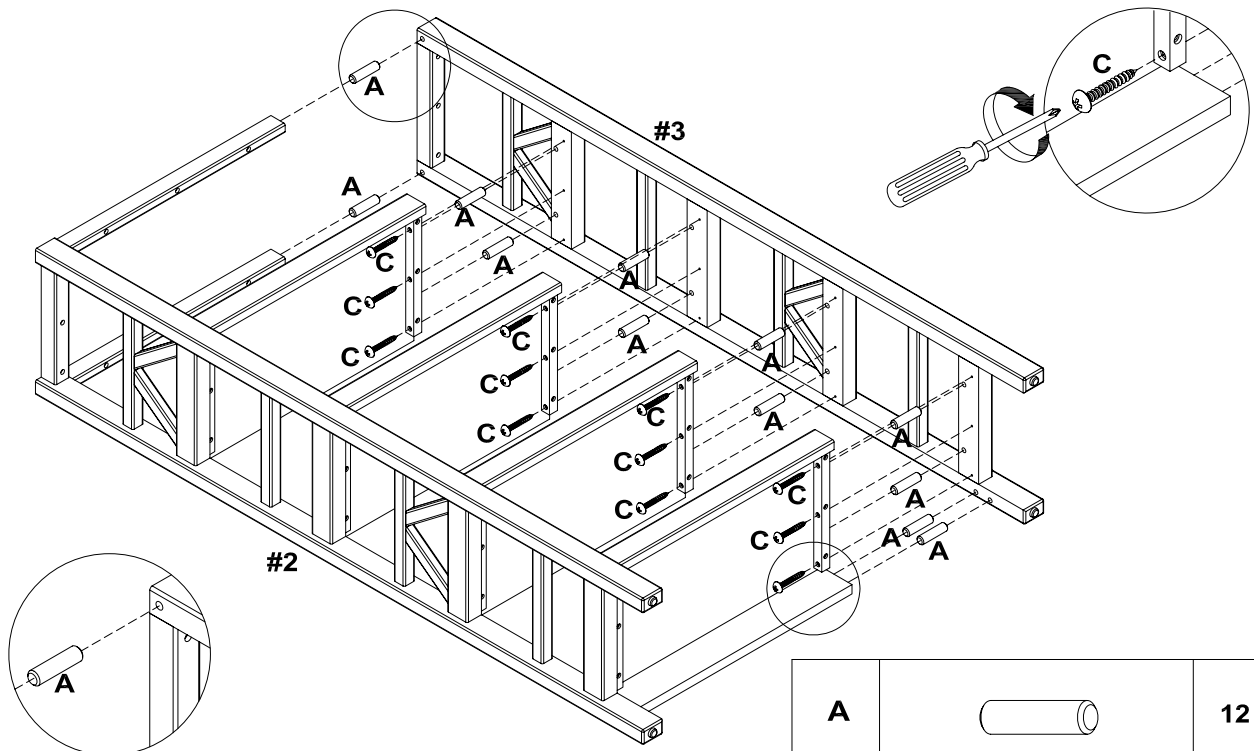
not supplied  
non fourni  
no suministrado

1.



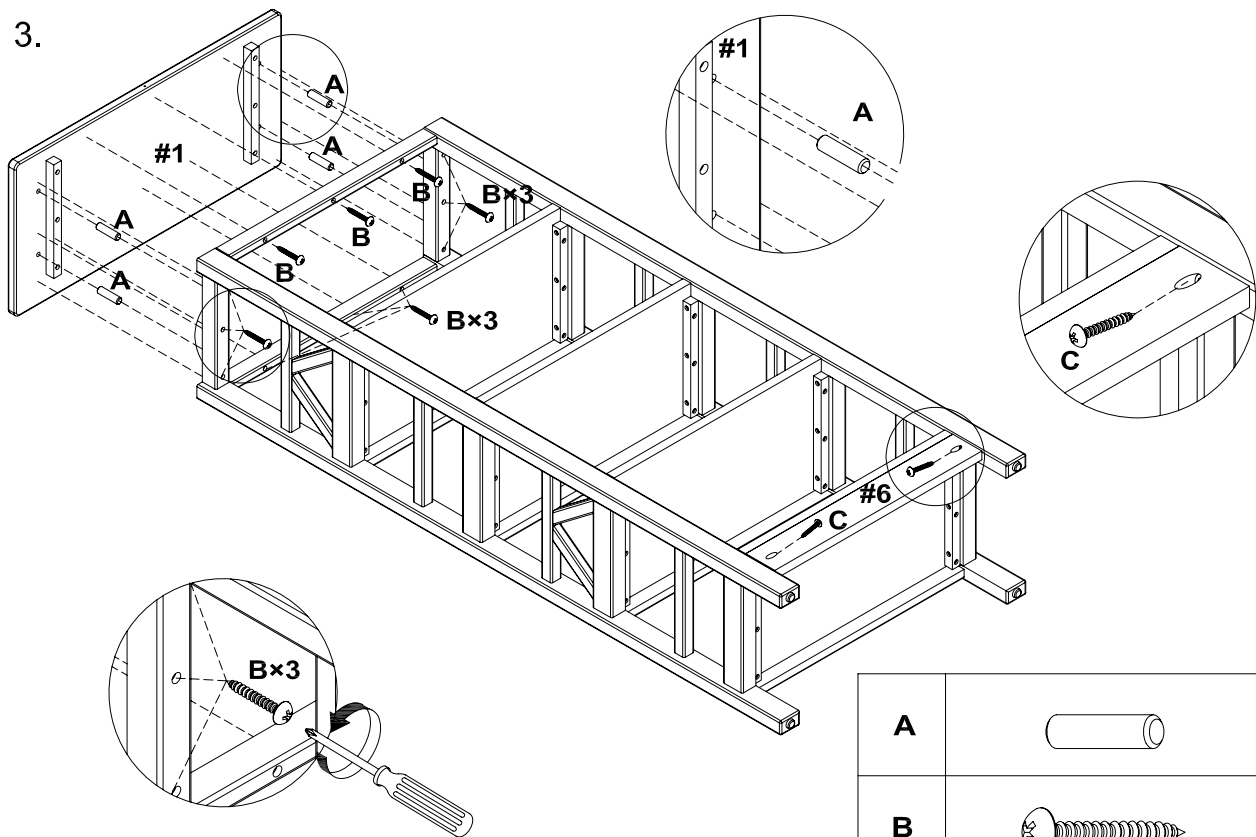
|   |  |    |
|---|--|----|
| A |  | 12 |
| C |  | 12 |


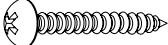

2.



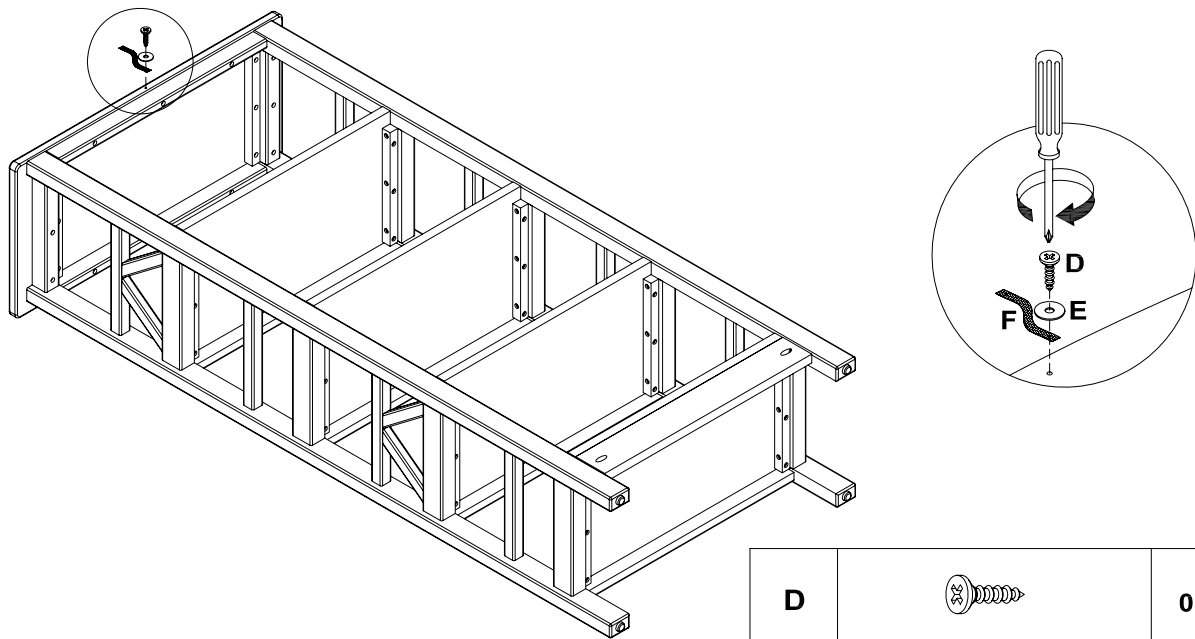
|   |  |    |
|---|--|----|
| A |  | 12 |
| C |  | 12 |



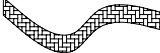
3.



|   |   |    |
|---|---|----|
| A |   | 04 |
| B |  | 12 |
| C |  | 02 |

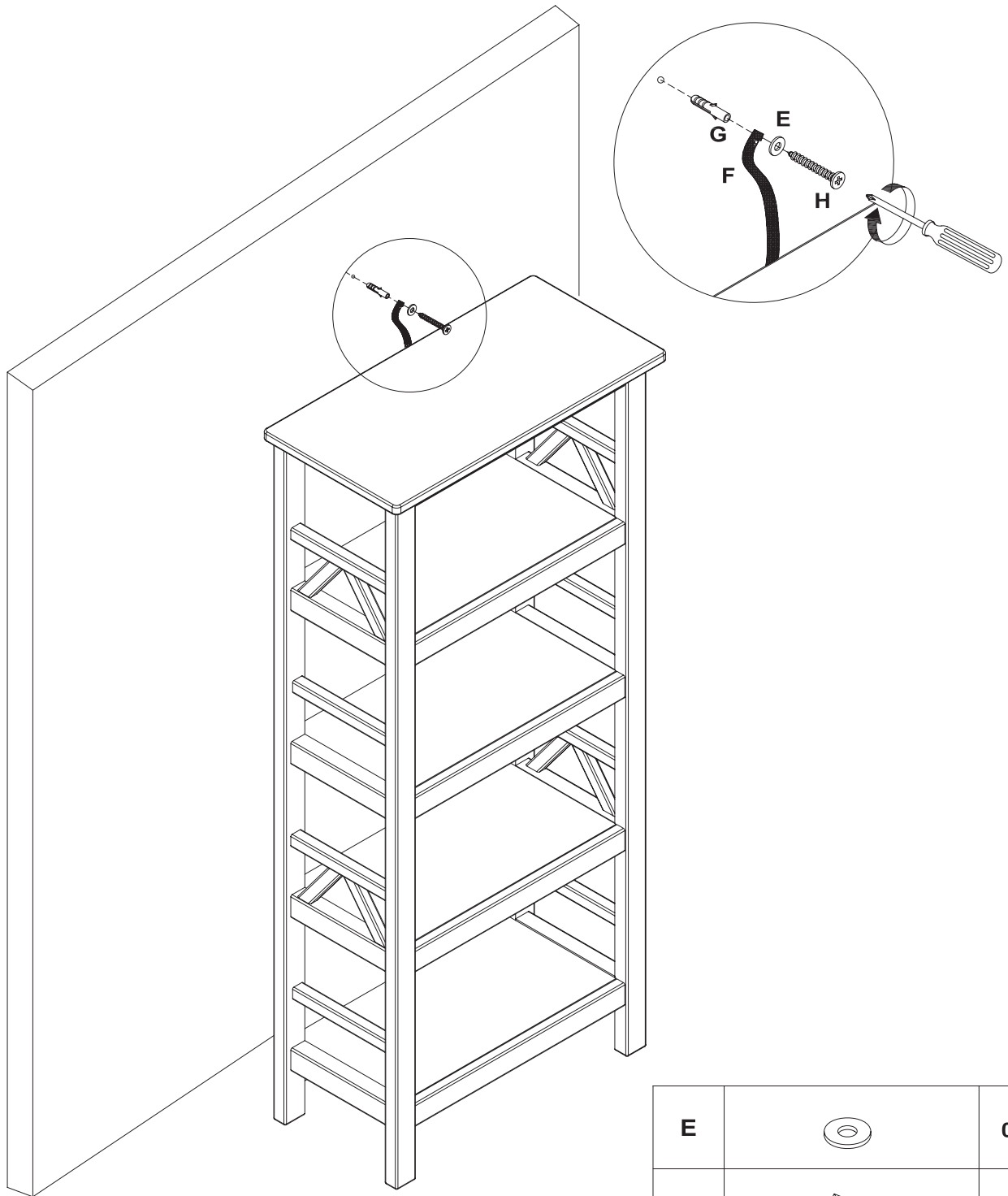
4.



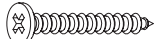


|   |   |    |
|---|---|----|
| D |  | 01 |
| E |  | 01 |
| F |  | 01 |

5.

**PLEASE NOTE:** For your safety, to prevent the danger of this unit tipping over, it is important that the wall anchors are properly attached.



|   |   |    |
|---|---|----|
| E |  | 01 |
| G |  | 01 |
| H |  | 01 |

**LIMITED WARRANTY**  
**GARANTIE LIMITÉE DE**  
**GARANTÍA LIMITADA DE**

**WHAT IS COVERED**

**QU'EST-CE QUI EST COUVERT**

**QUÉ ESTÁ CUBIERTO**

**WHAT IS NOT COVERED**

**QU'EST-CE QUI N'EST PAS COUVERT**

**QUÉ NO ESTÁ CUBIERTO**

**HOW TO OBTAIN SERVICE**

**COMMENT FAIRE POUR OBTENIR DU  
SERVICE**

**CÓMO OBTENER SERVICIO**