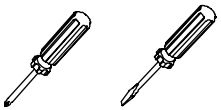







TOOLS:

















## 1.T Thank you for choosing *our products*.

-  • Read instructions, cover to cover
-  • Have 2-4 adults on hand for assembly [depending on product size](#)
-  • Do not assemble [directly](#) on flooring or carpet
-  • Assemble on a clean non-marring surface ([example](#): packing foam)
-  • Save all packaging until finished

## 2.A Assembly Notice:

- If you encounter any problems during assembly and find that you cannot continue, rest assured we will help you solve the situation as soon as possible. Simply keep all of the parts of the product stored in a safe place and contact us immediately so we may assist you further.
- Once you have opened your package, remove all inner hardware packages and take the parts out. One by one, Place the parts out neatly in front of you, then refer to the instructions to ensure no parts are missing. If any pieces are found missing, please carefully look in the box first, as the hardware packaging might have torn making the hardware spill in the box.
- **IMPORTANT:** When setting up your product, **DO NOT INSTALL THE SCREWS ALL THE WAY IN THE BEGINNING**. Place each screw into their proper hole and use your hand to twist the screw halfway. Twist all the screws in halfway to ensure the holes will match up properly and the product is level on the ground. When everything seems fitted, then tighten the screws.
- When you have completed assembly, we suggest you have more than one person to assist you with lifting and placing the product.

## Care & Maintenance

-   • Do not put hot items directly on furniture surface
-   • Do not clean furniture with harsh cleansers or polish
-   • Do not place furniture under direct sunlight
-   • Do not place furniture near heating or cooling vents
-   • Do not write on furniture without a padded barrier to protect the surface
-   • Do not place furniture outside. For indoor use only
-   • Not for commercial use. For residential use only



● Stains may be removed with mild soap solution and damp cloth



● Children should not climb or jump on the furniture

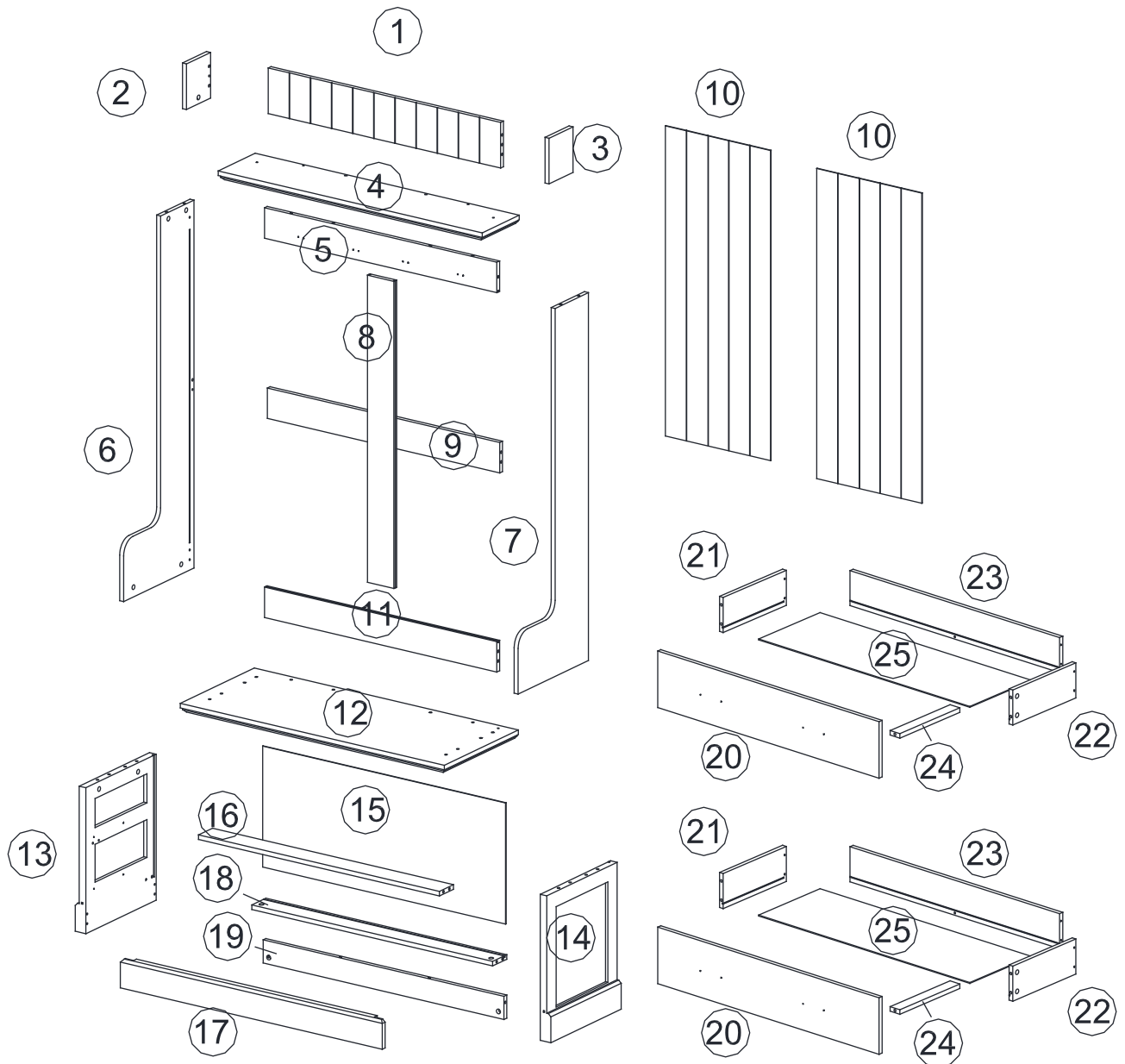
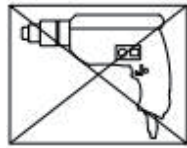


● Dust and pick-up spills using a clean, non-colored, lint-free cloth

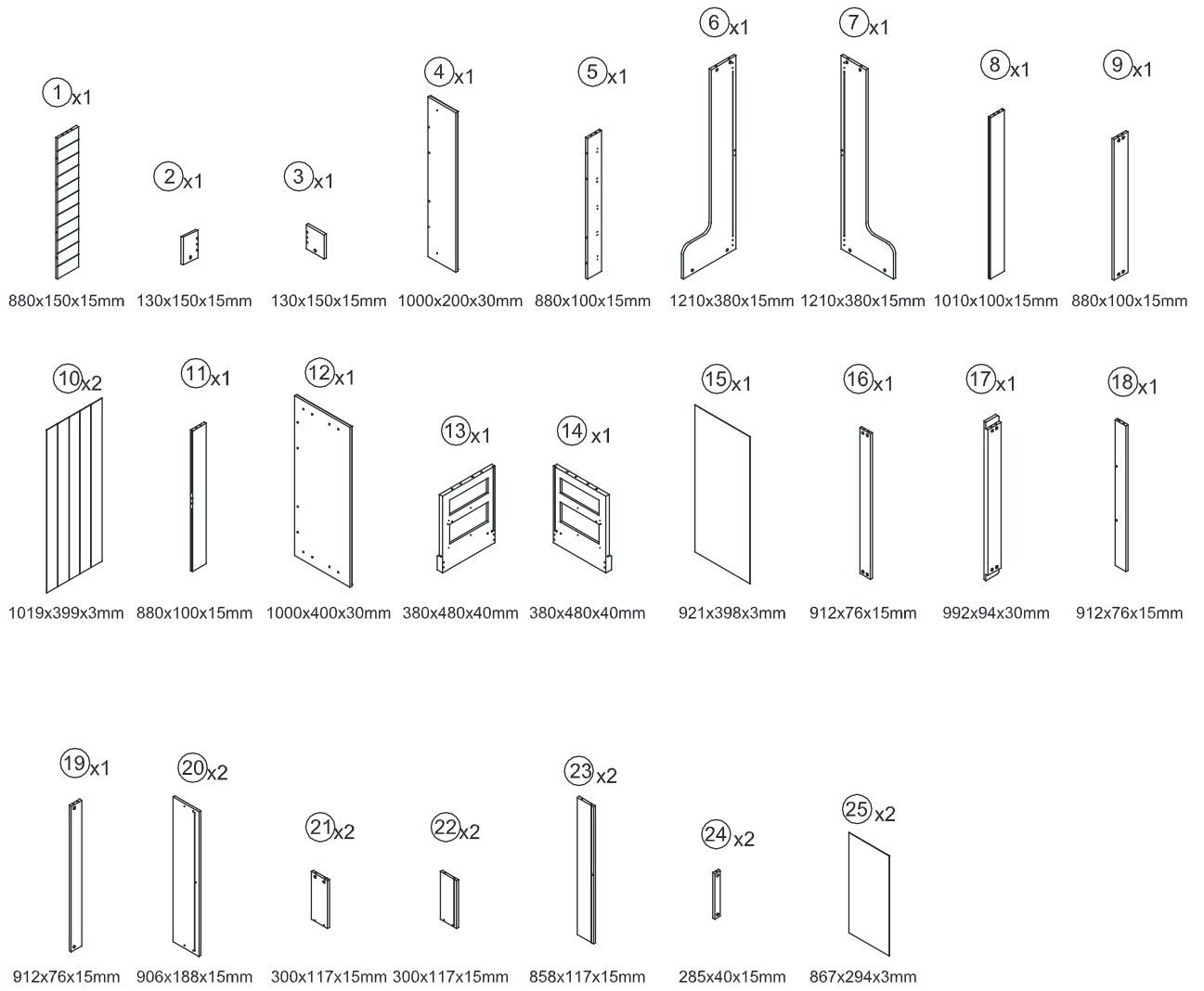
Caution

● This product contains small components. Please ensure that they are kept away from small children.

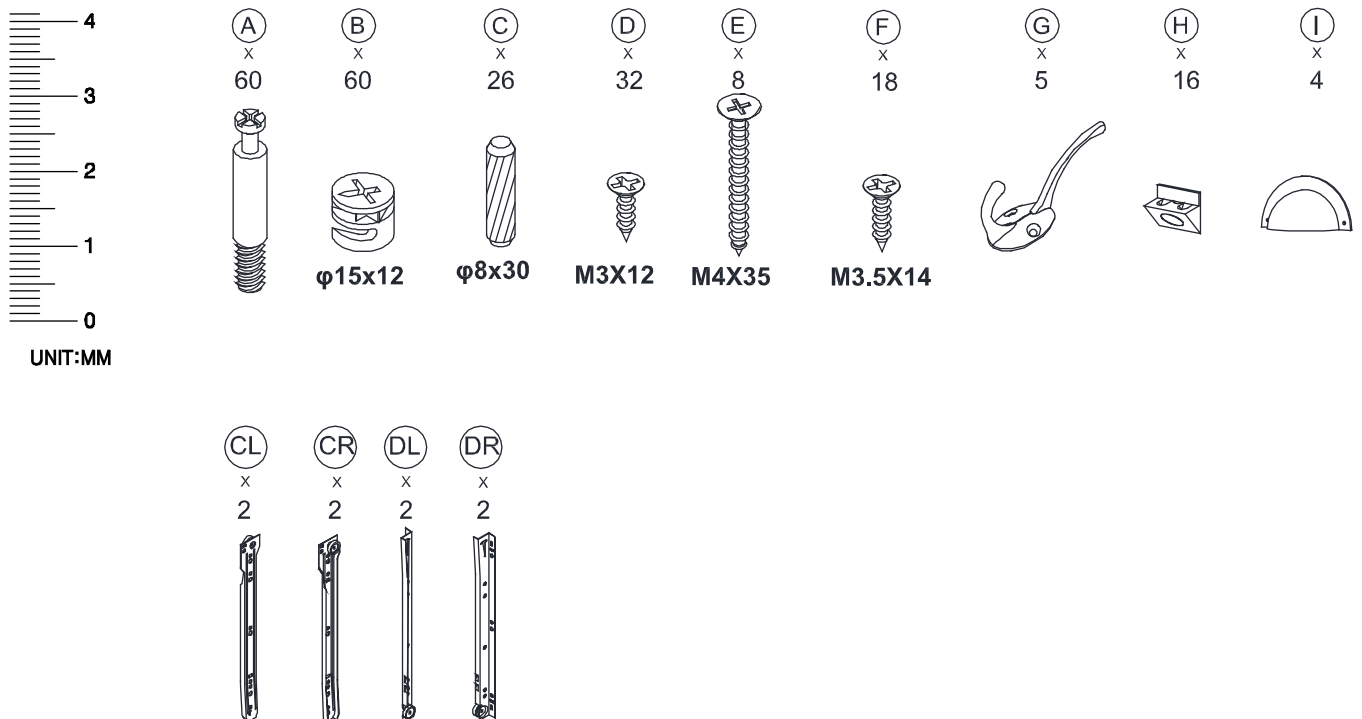
● Do not use power tools to assemble your furniture. Power tools may strip or damage the parts.



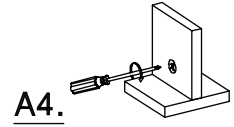
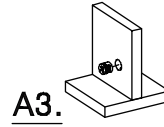
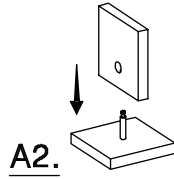
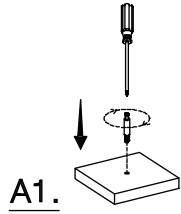
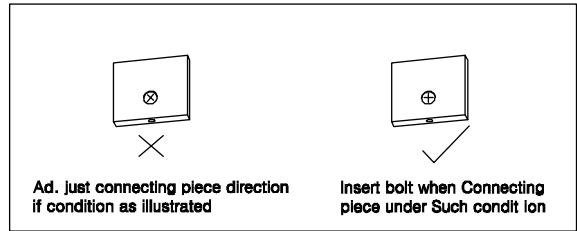
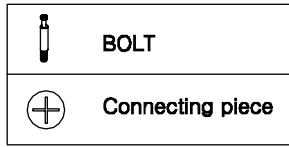
UNIT:MM  
PACKAGE - A



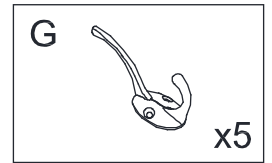
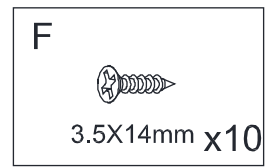
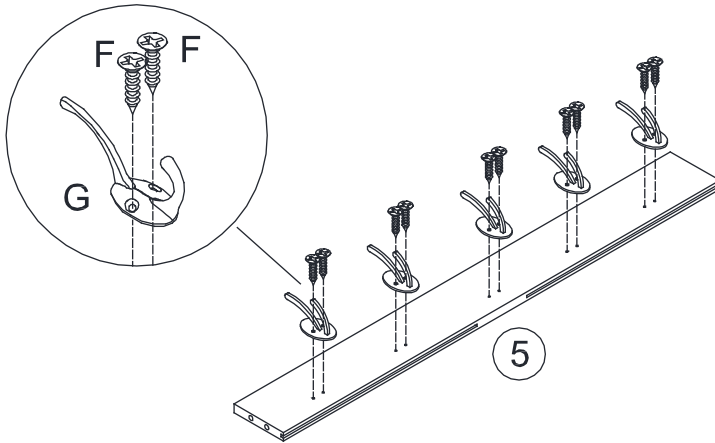
PACKAGE - B



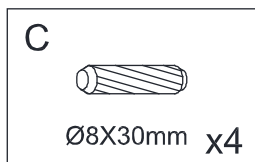
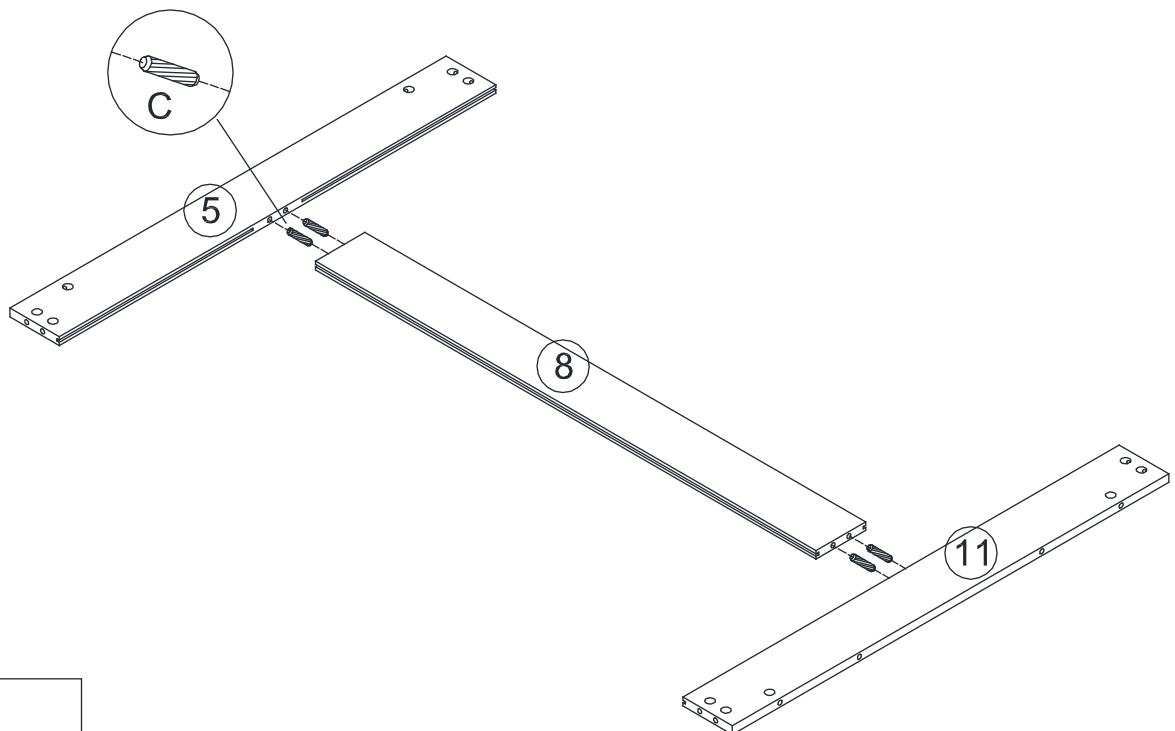
**BOLT INSTALLATION AS BELOW:**



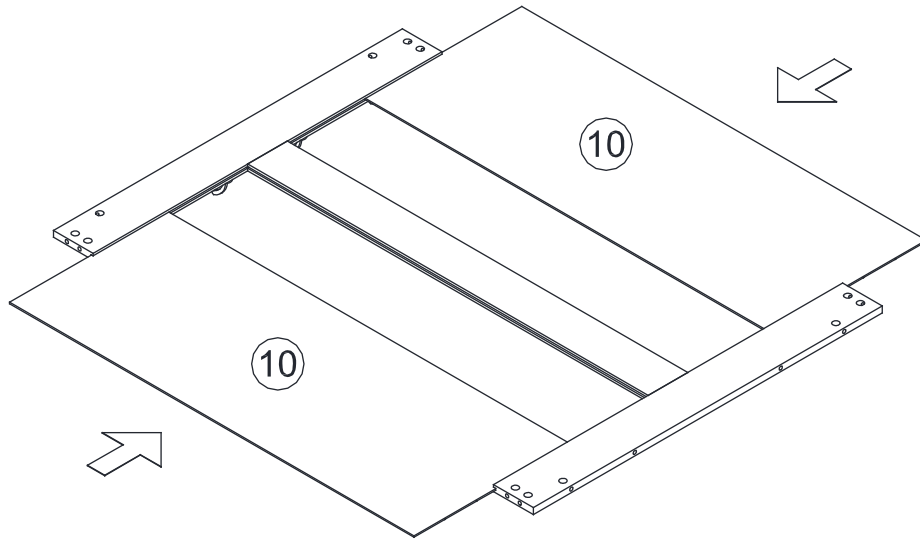
**1.**



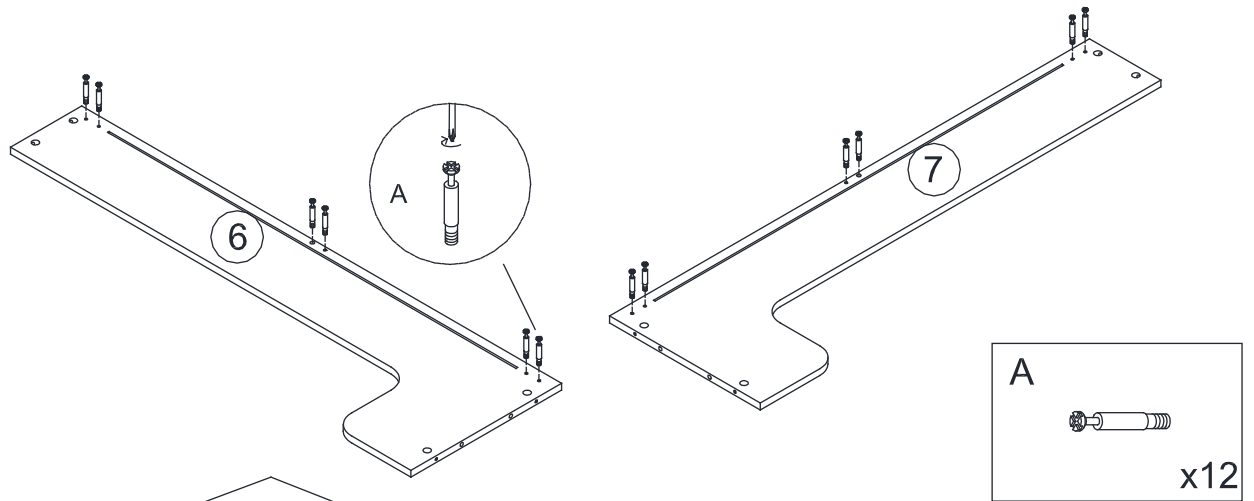
**2.**



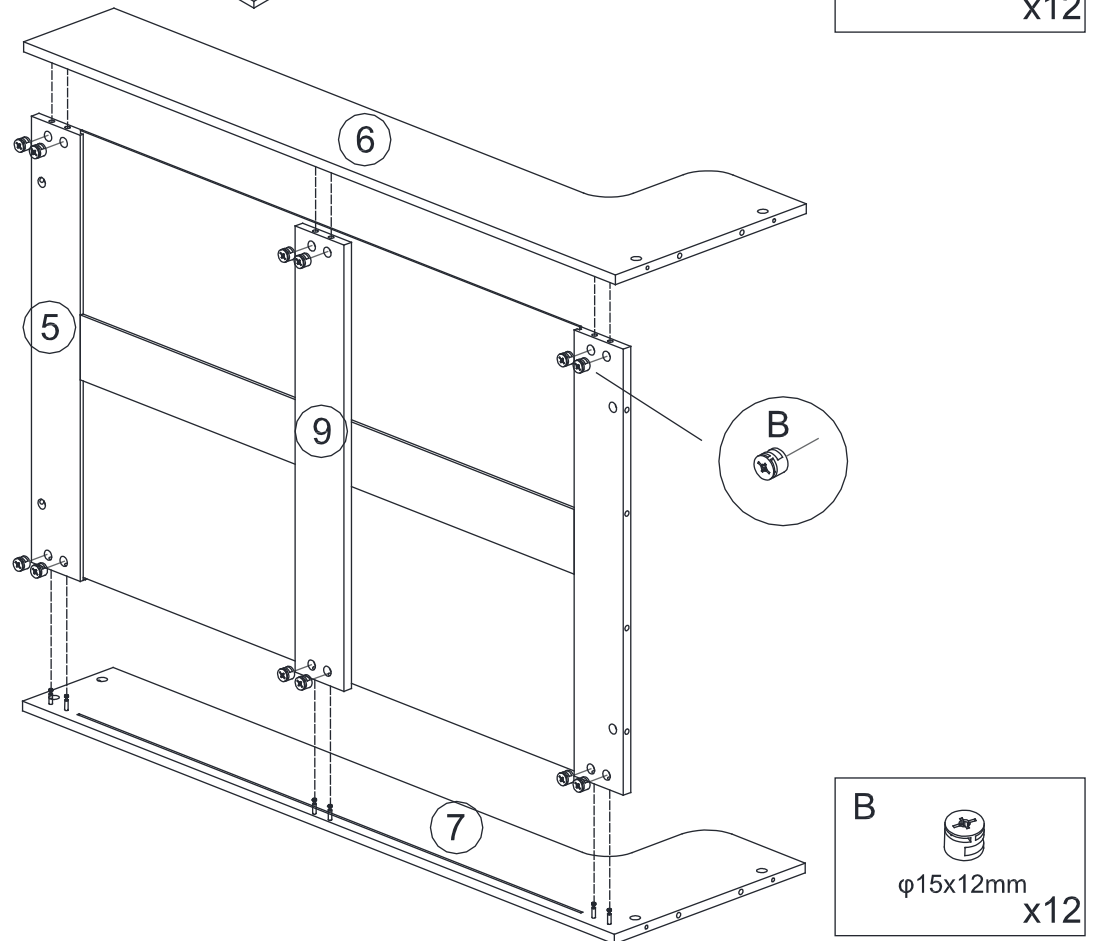
3.



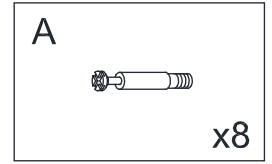
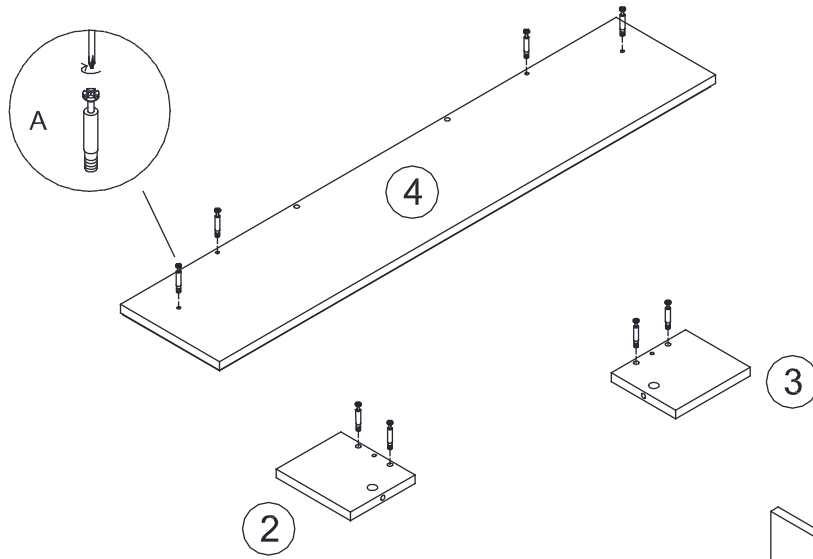
4.



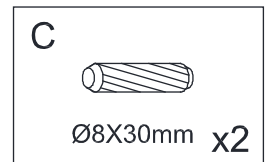
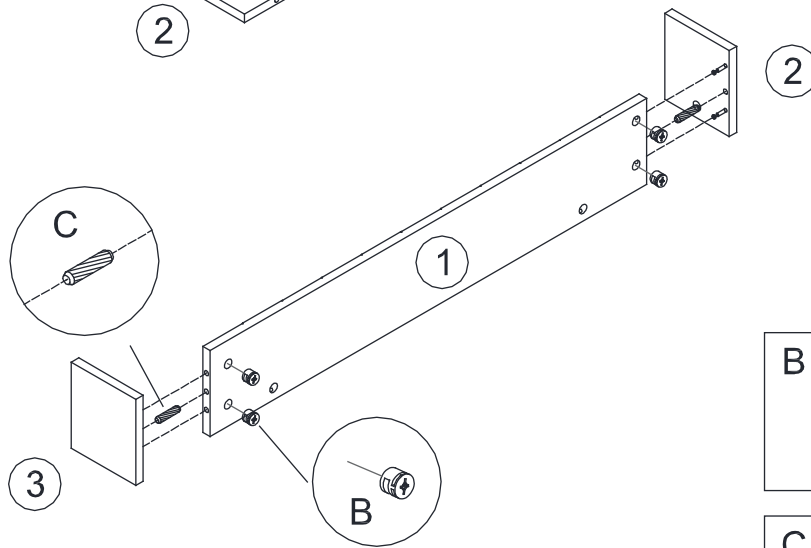
5.



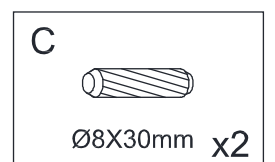
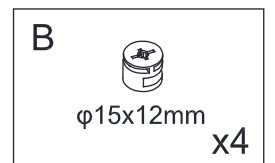
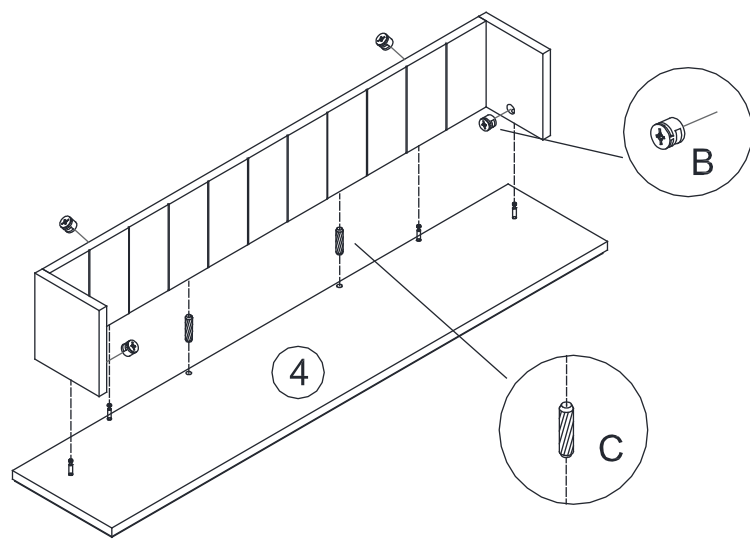
6.



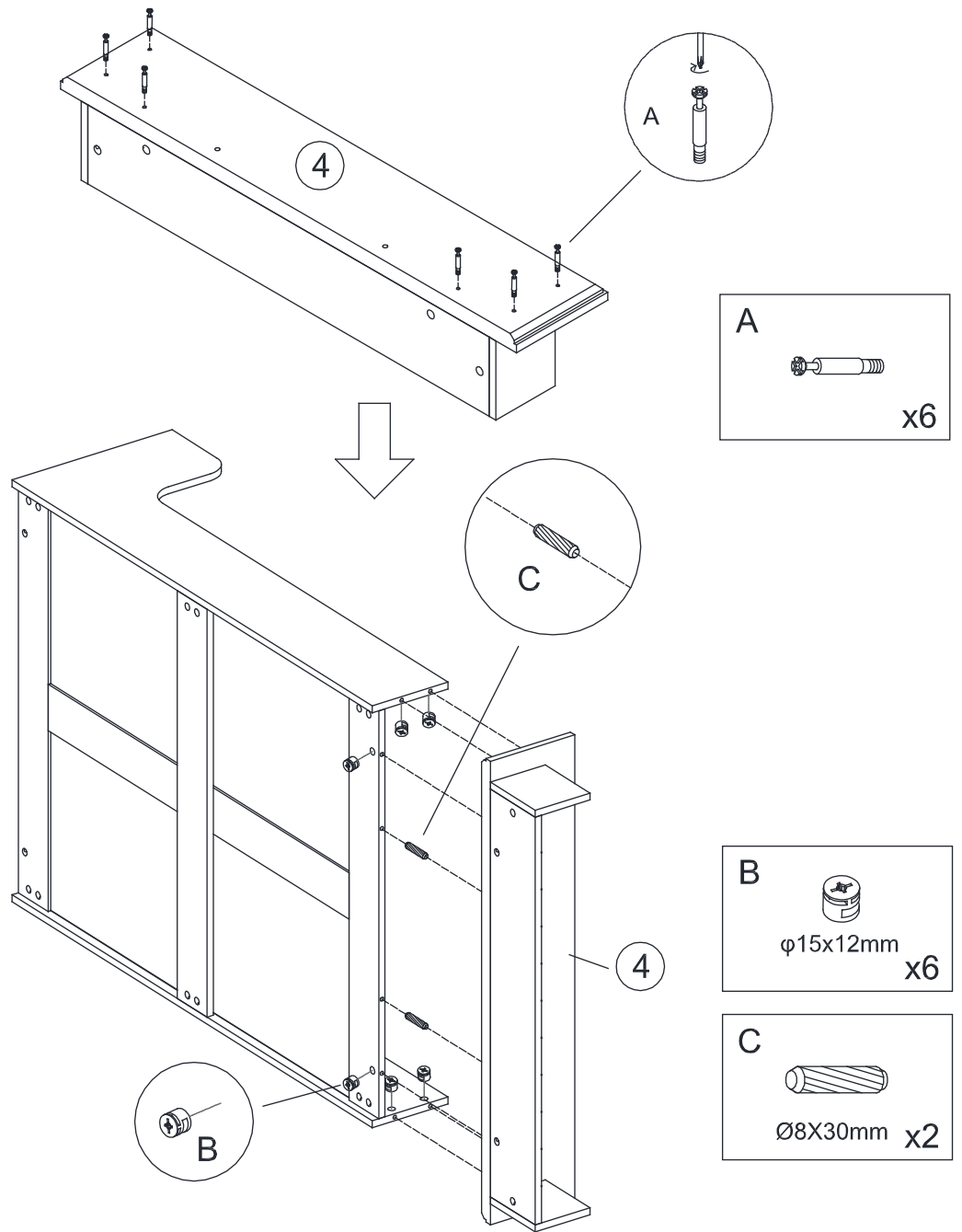
7.



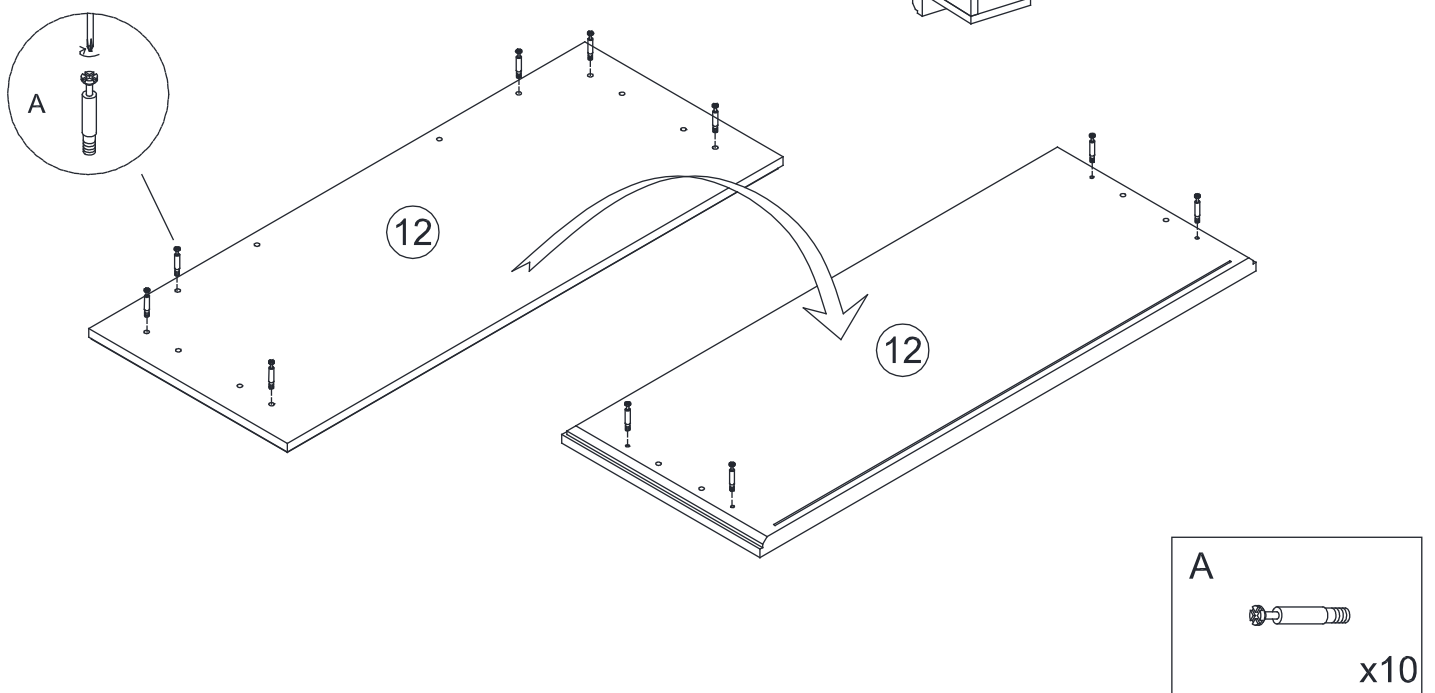
8.



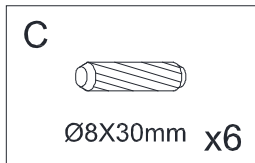
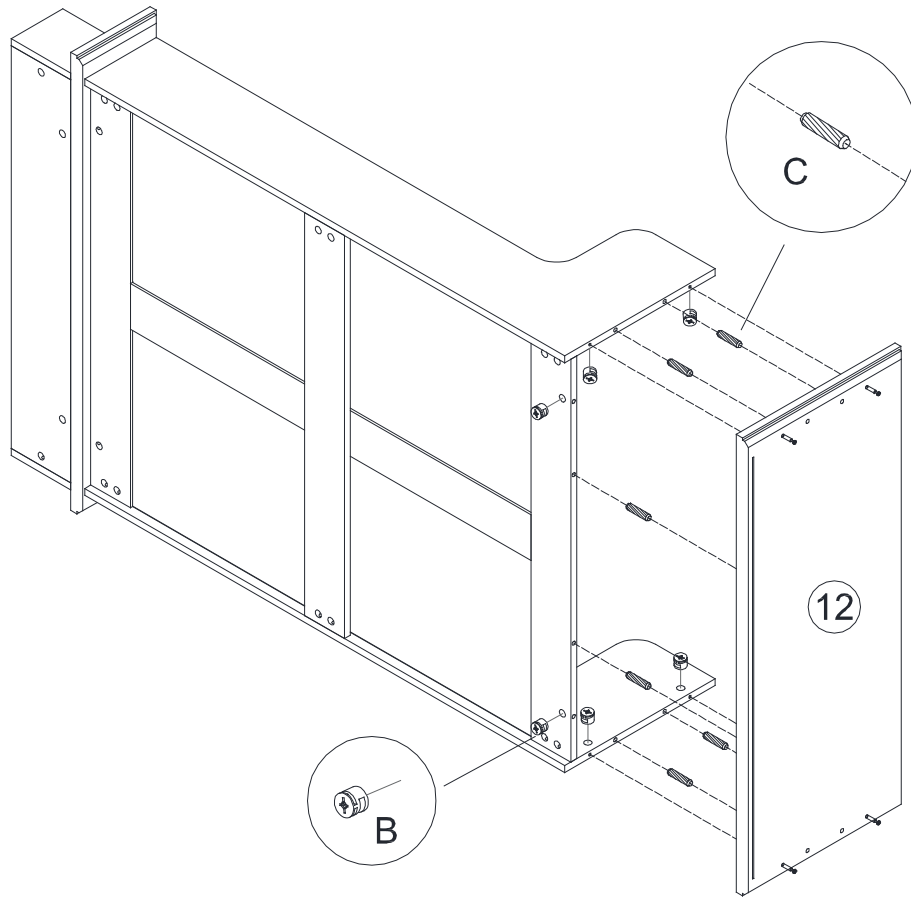
9.



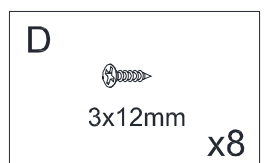
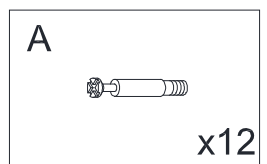
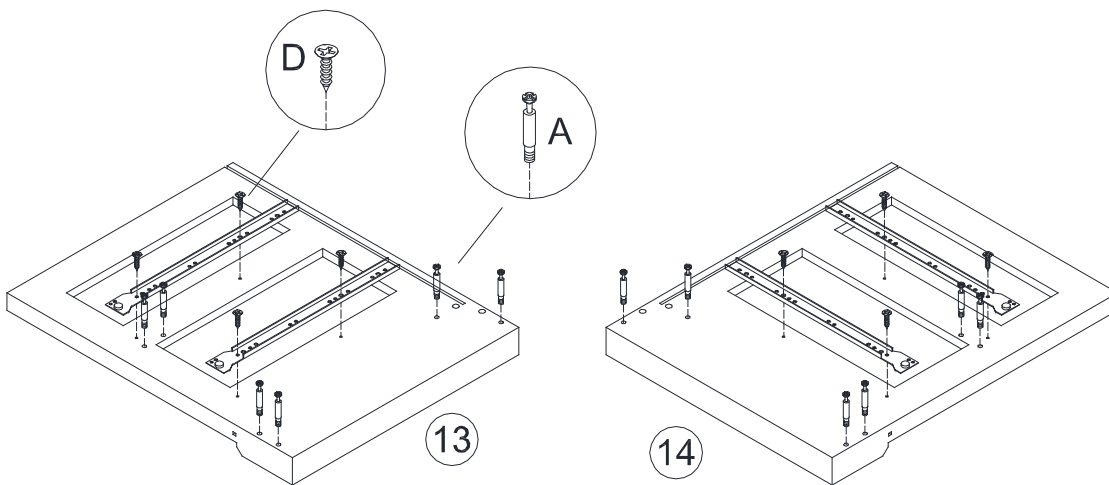
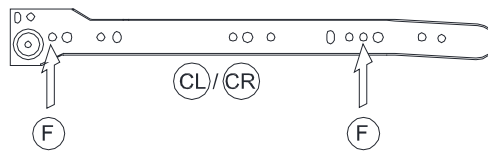
10.



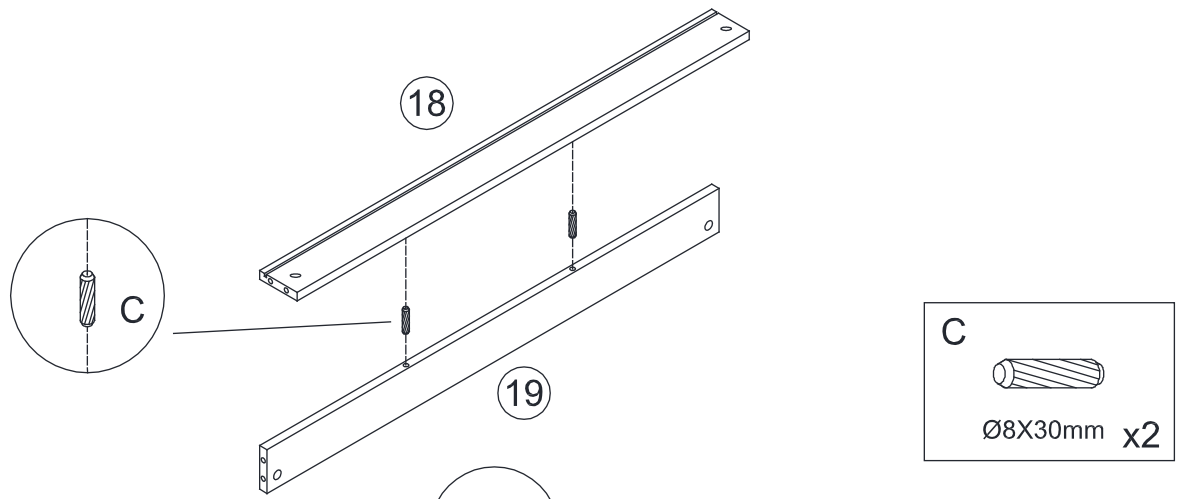
# 11.



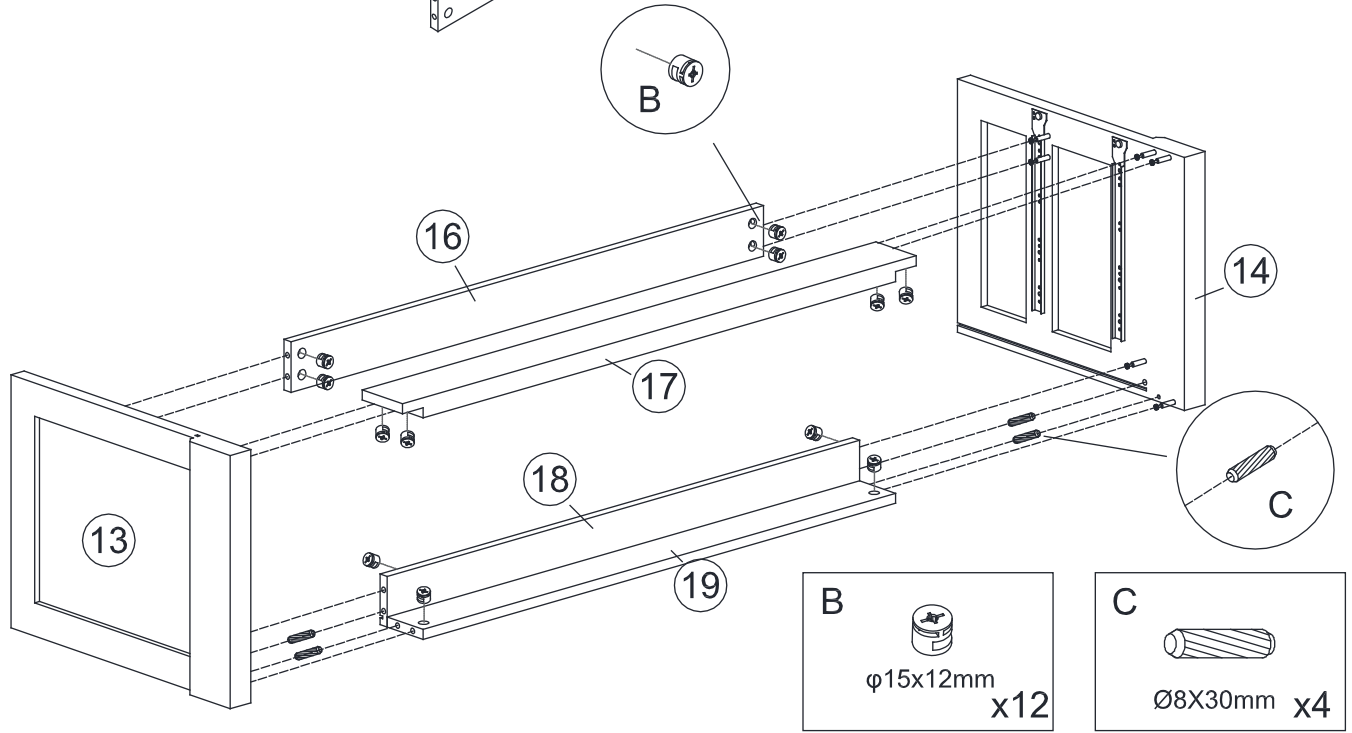
# 12.



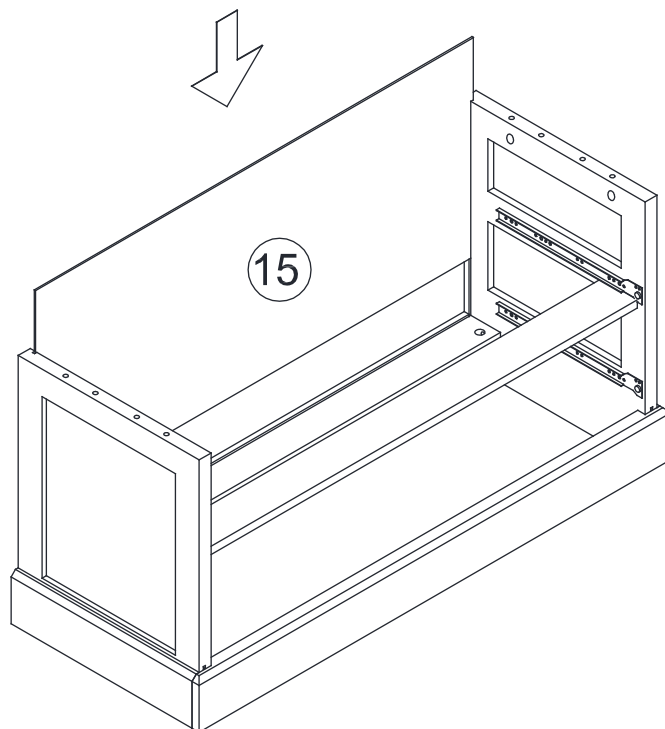
13.



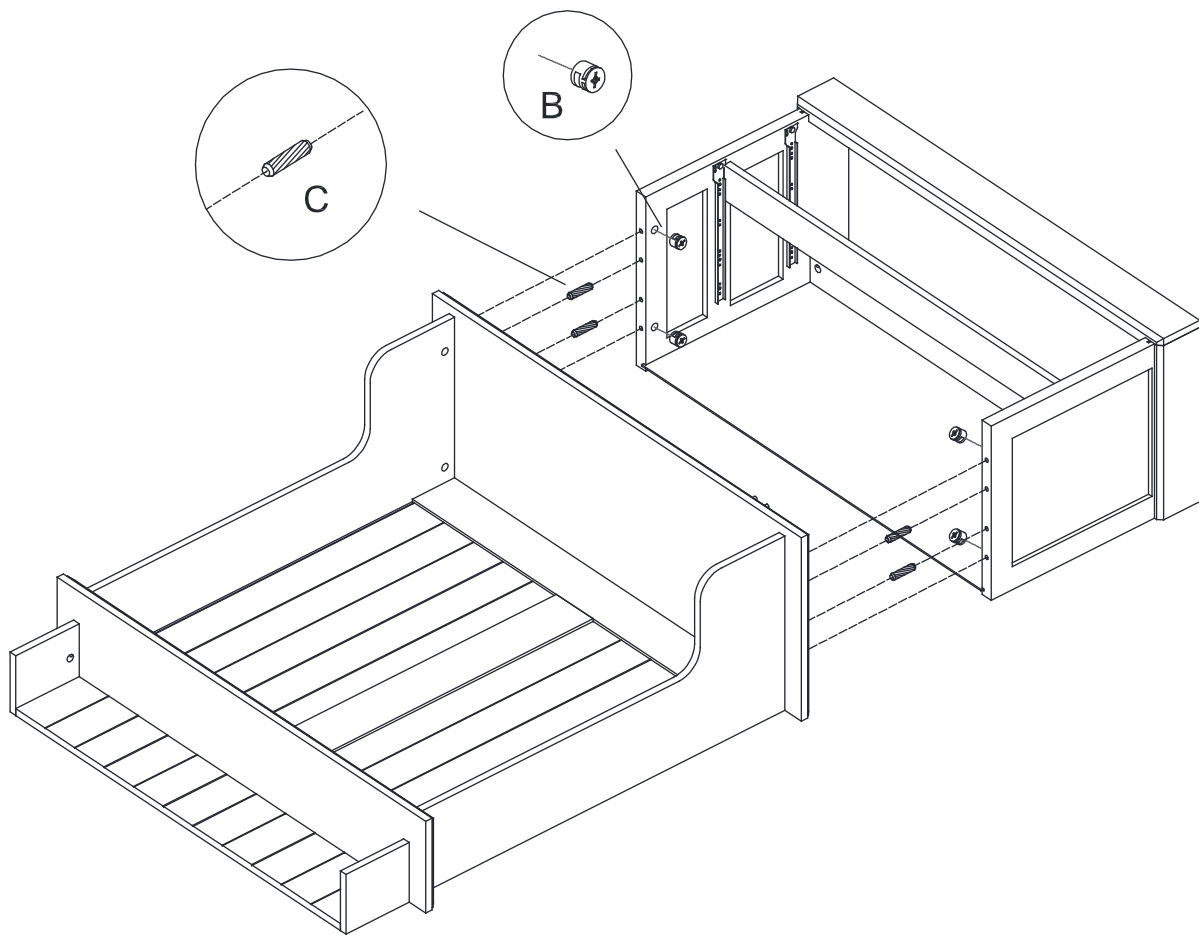
14.





15.



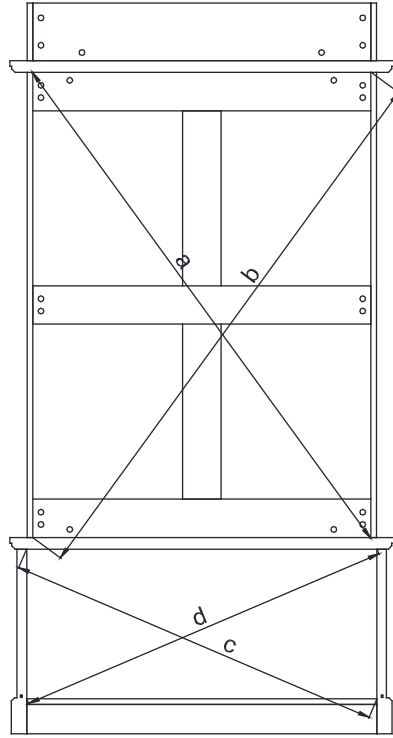
16.



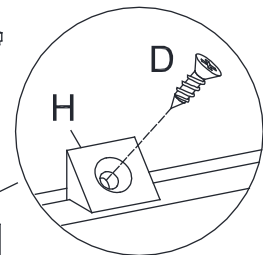
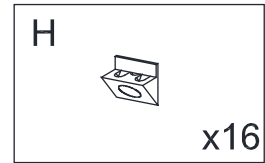
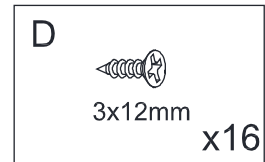
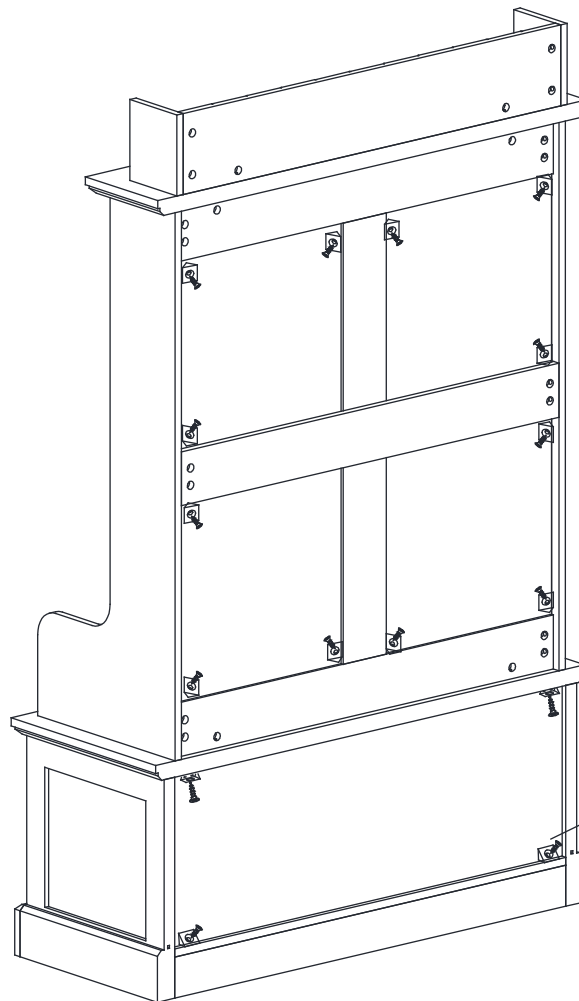
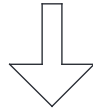
**B**  
  
φ15x12mm  
x4

**C**  
  
Ø8X30mm x4

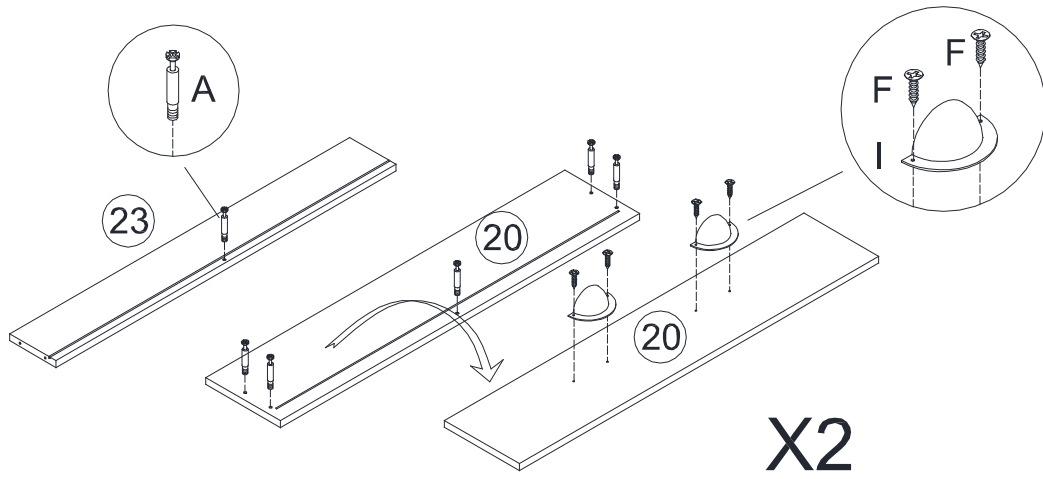
17.



$a=b$   
 $c=d$

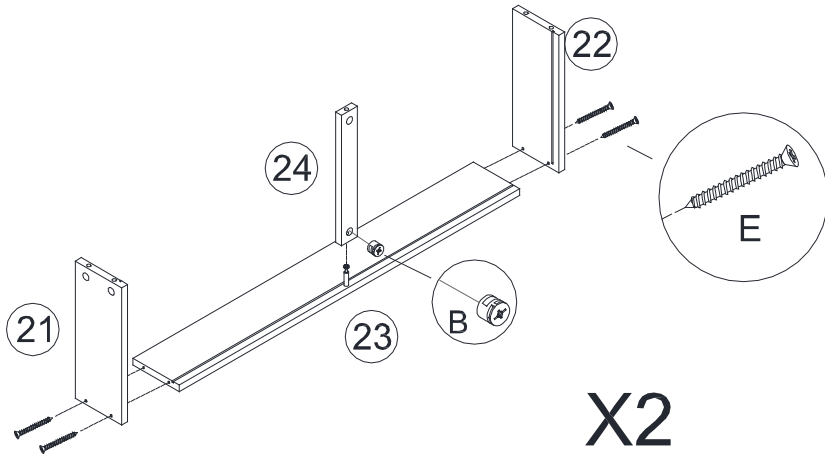


18.



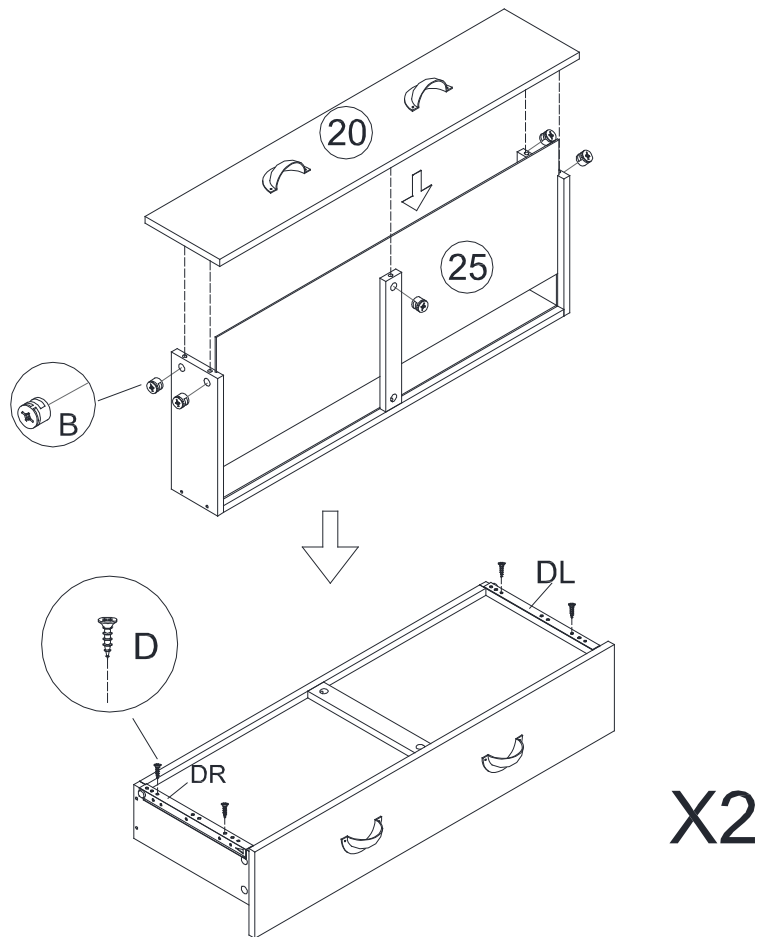
A		x12
F	 3.5x14mm	x8
I		x4

19.



E	 4x35mm	x8
---	------------	----

20.



B	 φ15x12mm	x12
---	--------------	-----

D	 3x12mm	x8
---	------------	----

21.

