

Assembly Instructions - Please keep for future reference

N704P328549

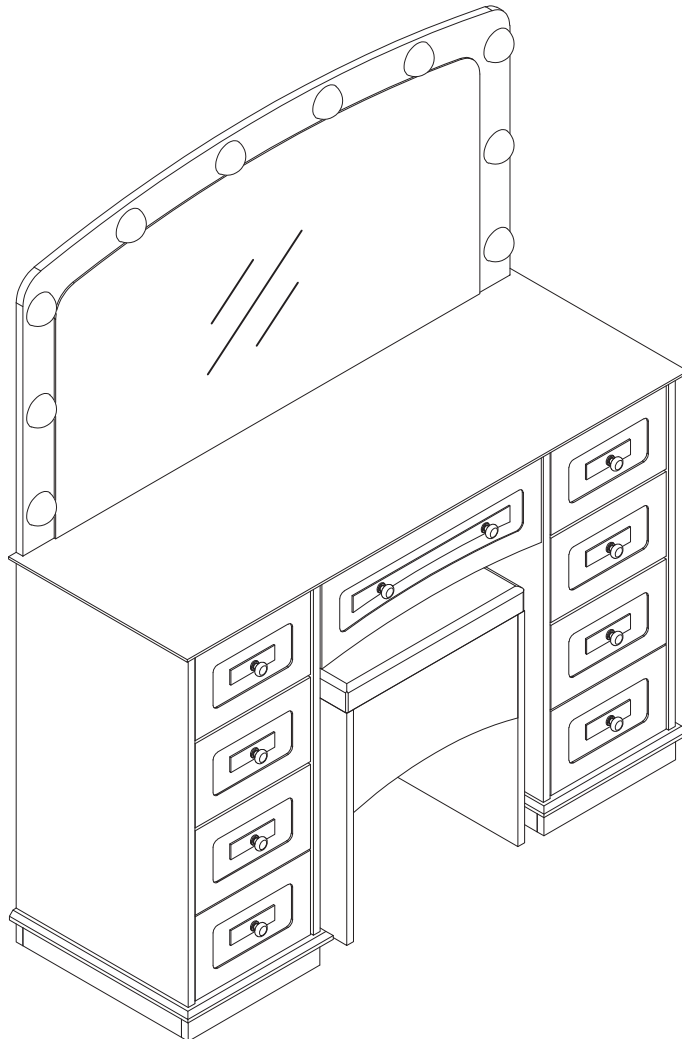


Table Dimensions

Width-51inch
Depth-19.75inch
Height-29.75inch

Bench Dimensions

Width-16inch
Depth-12.25inch
Height-17.5inch

Important - Please read these instructions fully before starting assembly

Issue 1 - 29/2025



Safety and Care Advice

Important – Please read these instructions fully before starting assembly

- Check you have all the components and tools listed on the following pages.
- Remove all fittings from the plastic bags and separate them into their groups.
- Keep children and animals away from the work area, small parts could choke if swallowed.
- Make sure you have enough space to layout the parts before starting.

- During assembly do not stand or put weight on the product, this could cause damage.
- Assemble the item as close to its final position (in the same room) as possible.
- Assemble on a soft level surface to avoid damaging the unit or your floor.
- Parts of the assembly will be easier with 2 people.



- To reduce the likelihood of damaging your product please ensure that your power drill is set on a low torque setting.

Care and maintenance

- Only clean using a damp cloth and mild detergent, do not use bleach or abrasive cleaners.
- From time to time check that there are no loose screws on this unit.
- This product should not be discarded with household waste. Take to your local authority waste disposal centre.

Handy Hints

- Assemble all parts and bolts loosely during assembly, only once the product is complete should you fully tighten the bolts
- Regularly check and ensure That all bolts and fittings are tightend properly.

WARNING

In order to help prevent overturning – please follow these instructions

To help prevent product toppling over please follow the below steps:-

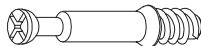
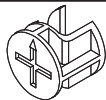




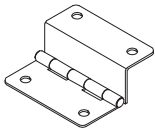
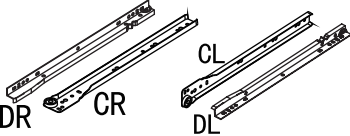


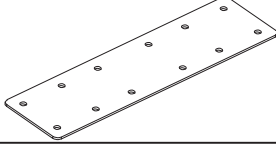
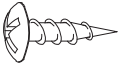
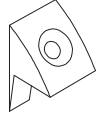


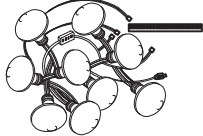
Use the anti tipstrap or wall fixing method provided (if applicable)
Do not allow children to climb or hang on the furniture
Do not open more than one drawer at a time
Do not place heavy items in the top drawers
Do not place heavy items on top of the furniture, unless the furniture has been designed for this purpose

Please note that only the anti tip strap is provided.
You will need to provide wall plugs and screws applicable for your wall type

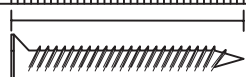
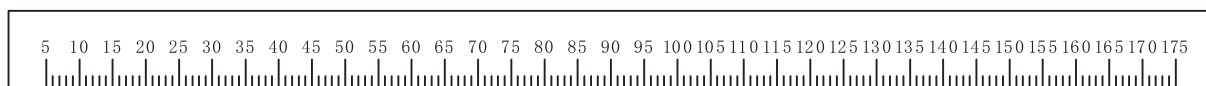
Components - Fittings

Please check you have all the panels listed below

Note: The quantities below are the correct amount to complete the assembly. In some cases more fittings may be supplied than are required.

| | |
|---|---|
| <p>Ⓐ  x79+3</p> | <p>Ⓑ  x79+3</p> |
| <p>Ⓒ  x42+2</p> | <p>Ⓓ  M4x40mm x15+1</p> |
| <p>Ⓔ  M3.5x12mm x105+3</p> | <p>Ⓕ  M4x30mm x37+2</p> |
| <p>Ⓖ  x2</p> | <p>Ⓖ 250mm  x8</p> |
| <p>Ⓘ  x10</p> | <p>Ⓙ  x1</p> |
| <p>Ⓚ  x2</p> | <p>Ⓛ  M4x12mm x24+2</p> |
| <p>Ⓜ  x8</p> | <p>Ⓝ  M3x12mm x8</p> |
| <p>Ⓞ  x1</p> | <p>Ⓟ  x1</p> |

Ruler - Use this ruler to help correctly identify the screws


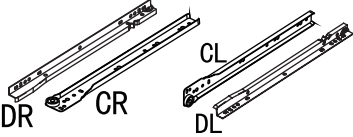
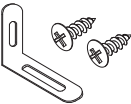
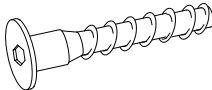
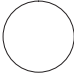
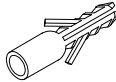



The screws length is measured from the head to the point (35mm screw shown).

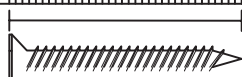
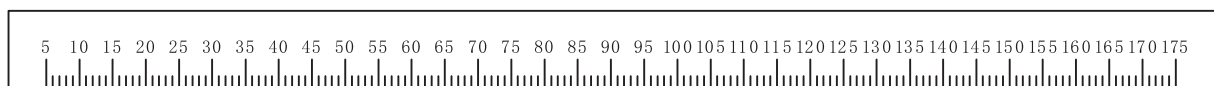
Components - Fittings

Please check you have all the panels listed below

Note: The quantities below are the correct amount to complete the assembly. In some cases more fittings may be supplied than are required.

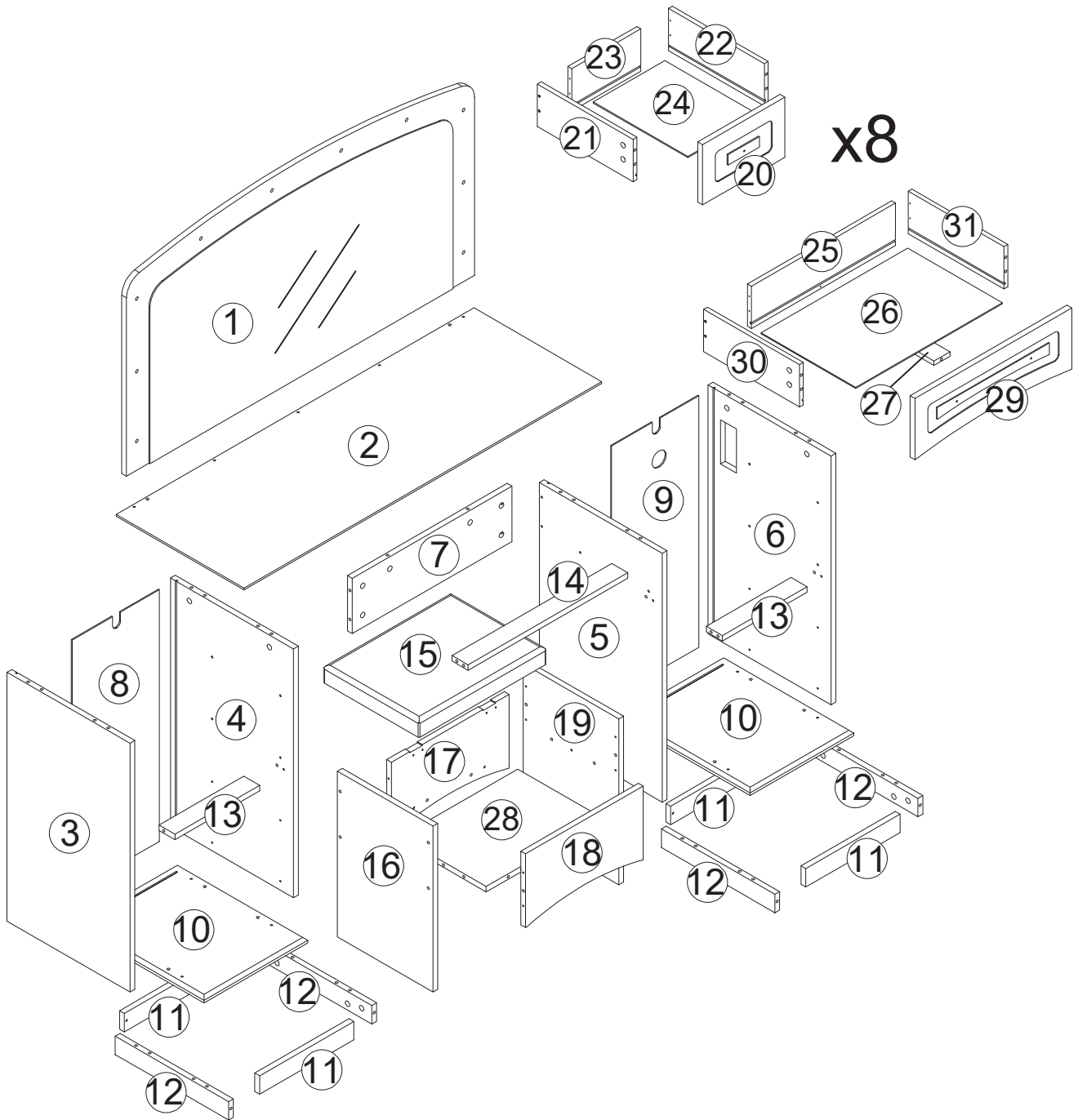
| | |
|--|---|
| <p>Ⓚ</p>  <p>x1</p> | <p>Ⓡ</p>  <p>300mm x1</p> |
| <p>Ⓢ</p>  <p>x2</p> | <p>Ⓣ</p>  <p>x8+1</p> |
| <p>Ⓤ</p>  <p>x8</p> | <p>Ⓥ</p>  <p>x2</p> |
| <p>Ⓦ</p>  <p>x12</p> | |

Ruler - Use this ruler to help correctly identify the screws

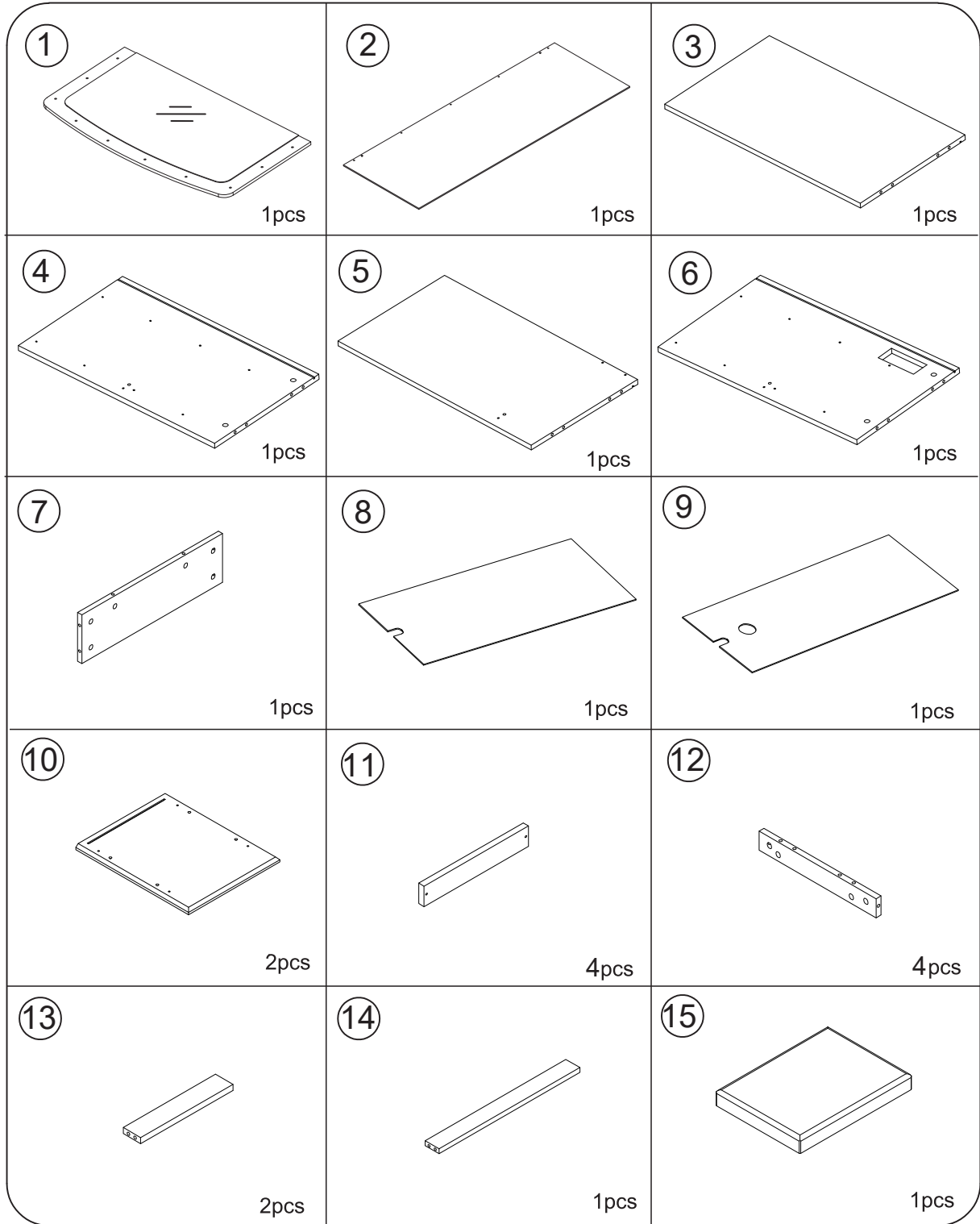


The screws length is measured from the head to the point (35mm screw shown).

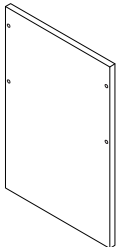
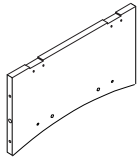
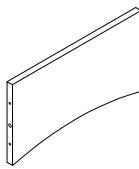
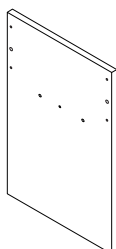
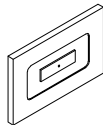
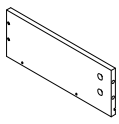
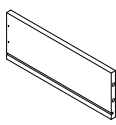
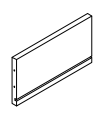
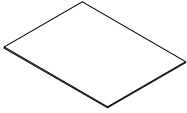
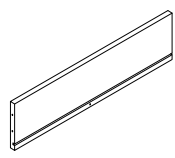
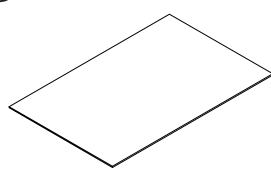
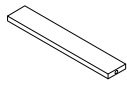
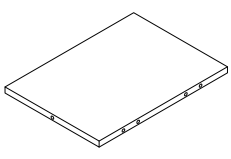
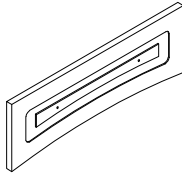
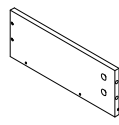
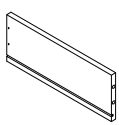
Assembly Instructions



Assembly Instructions

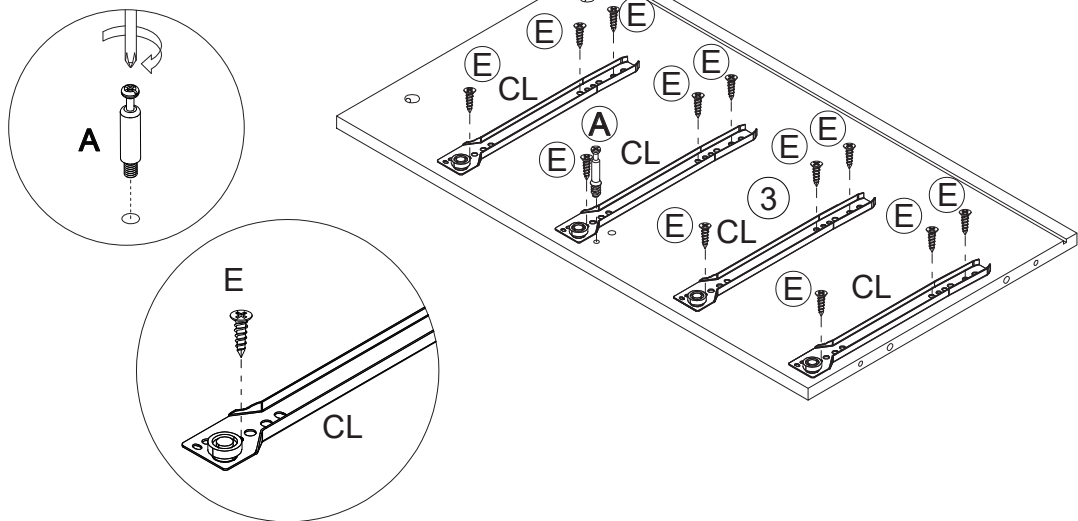


Assembly Instructions

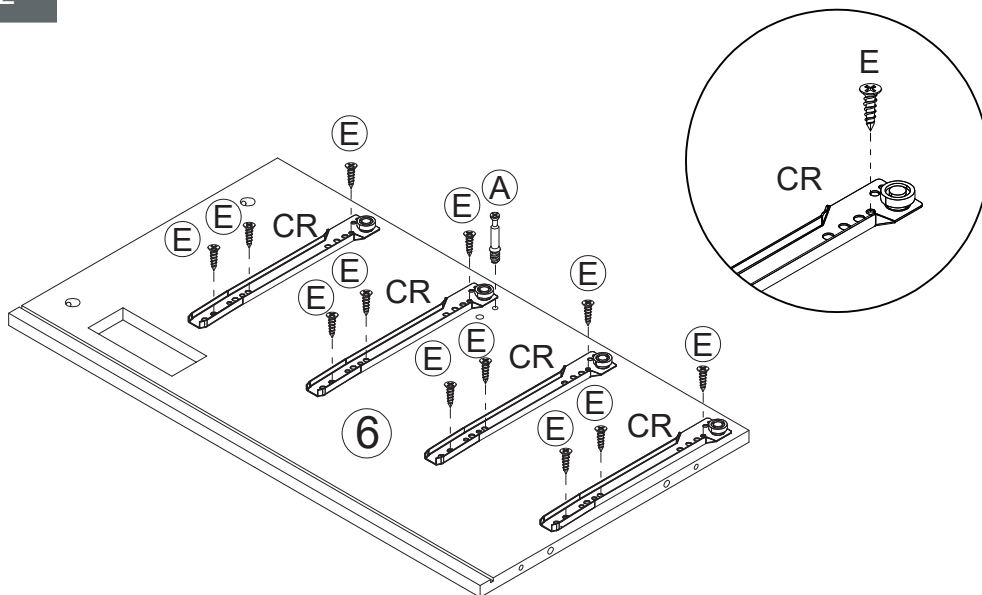
| | | |
|---|---|---|
| <p>16</p>  <p>1pcs</p> | <p>17</p>  <p>1pcs</p> | <p>18</p>  <p>1pcs</p> |
| <p>19</p>  <p>1pcs</p> | <p>20</p>  <p>8pcs</p> | <p>21</p>  <p>8pcs</p> |
| <p>22</p>  <p>8pcs</p> | <p>23</p>  <p>8pcs</p> | <p>24</p>  <p>8pcs</p> |
| <p>25</p>  <p>1pcs</p> | <p>26</p>  <p>1pcs</p> | <p>27</p>  <p>1pcs</p> |
| <p>28</p>  <p>1pcs</p> | <p>29</p>  <p>1pcs</p> | <p>30</p>  <p>1pcs</p> |
| <p>31</p>  <p>1pcs</p> | | |

Assembly Instructions

Step 1

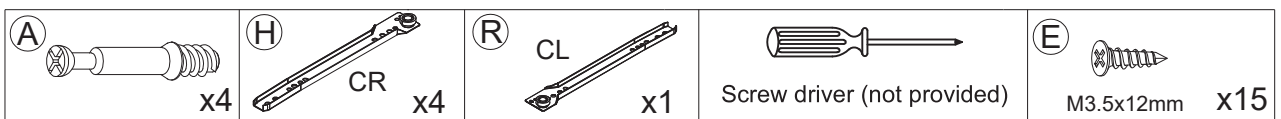
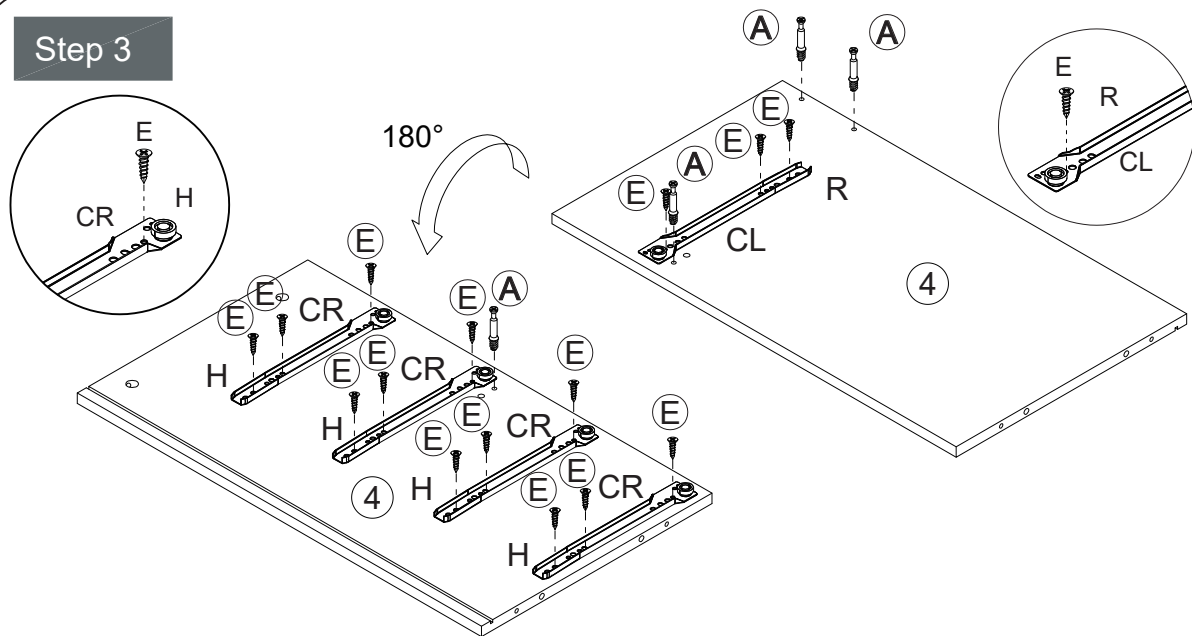


Step 2

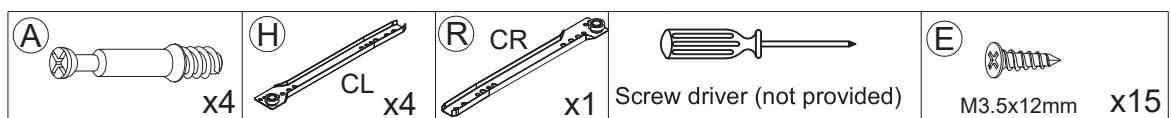
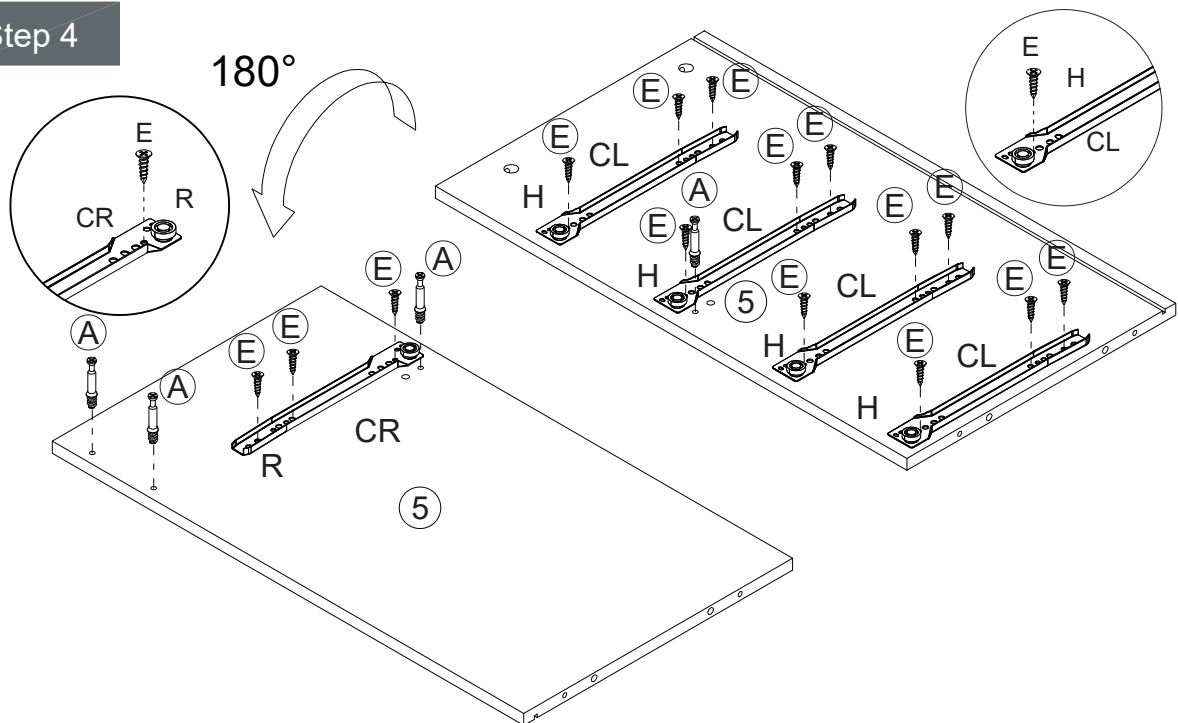


Assembly Instructions

Step 3

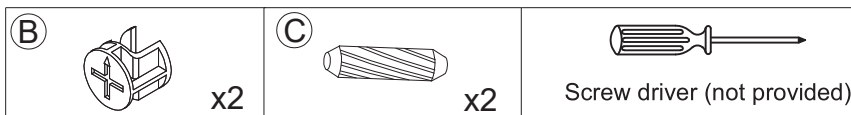
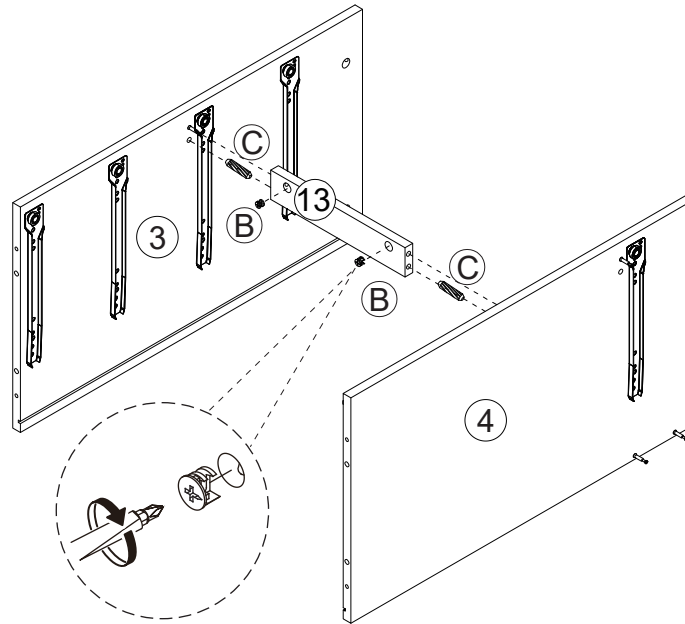


Step 4

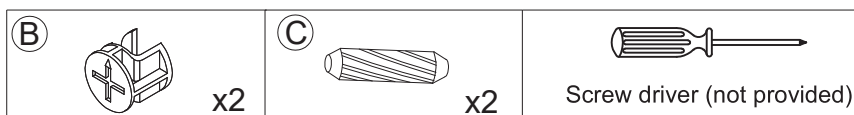
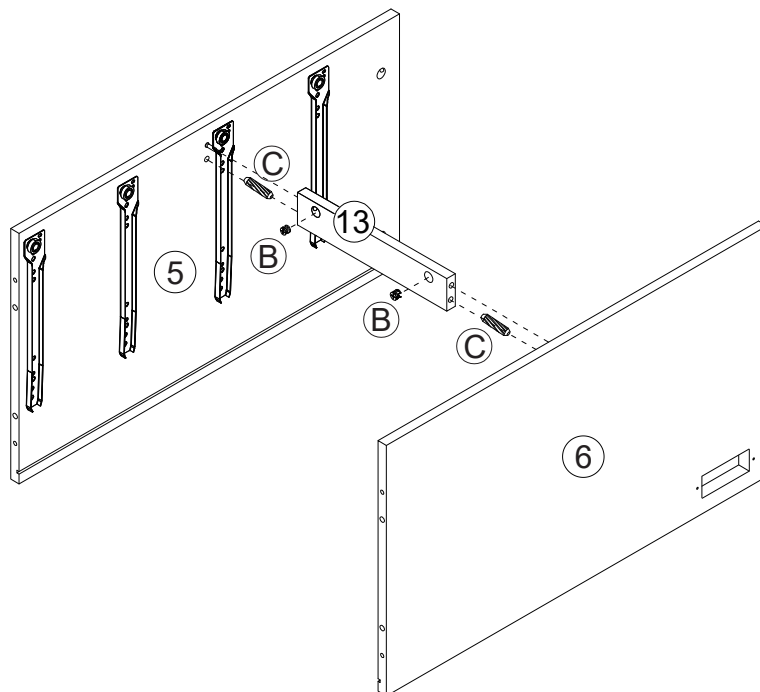


Assembly Instructions

Step 5

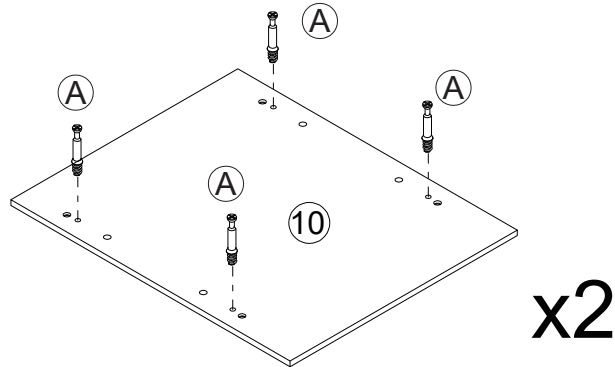


Step 6

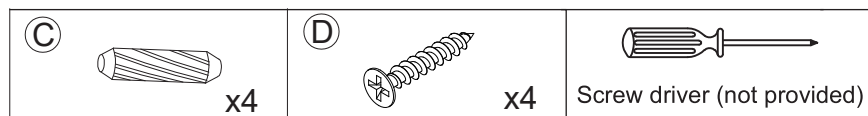
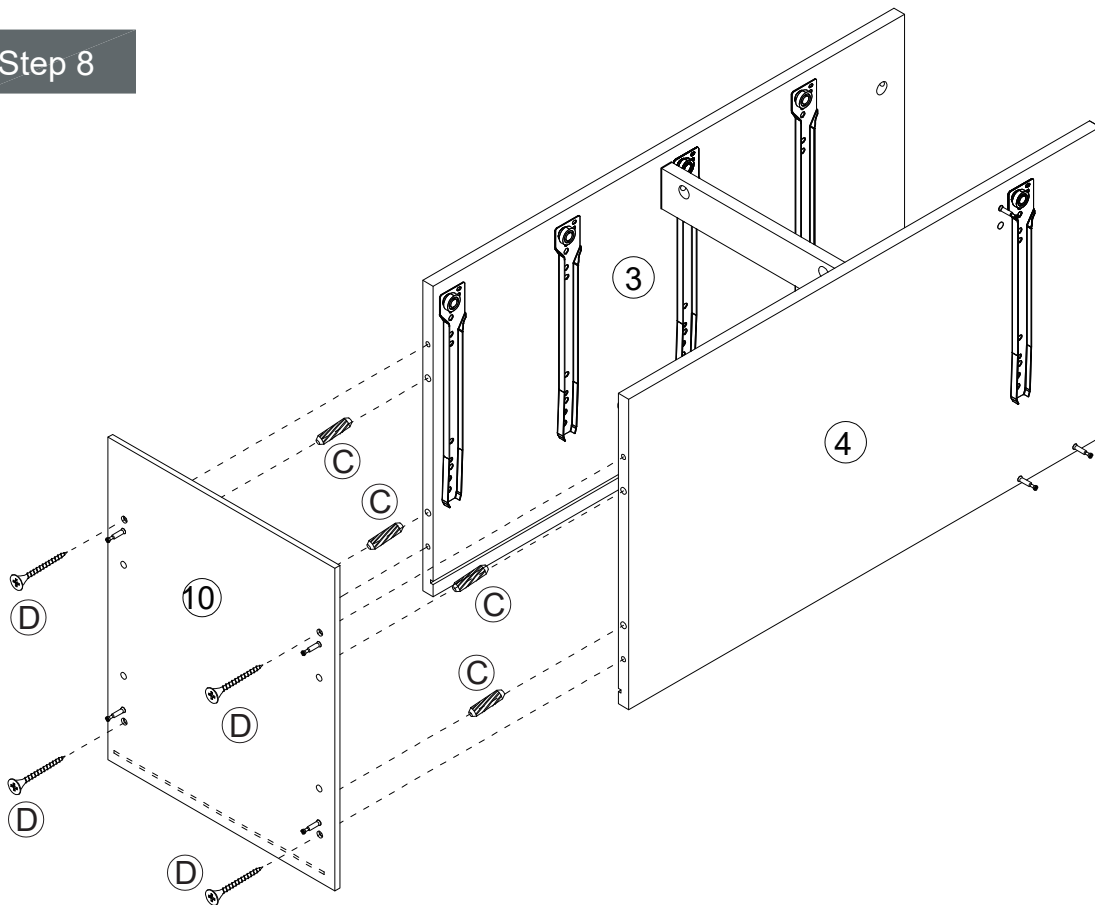


Assembly Instructions

Step 7

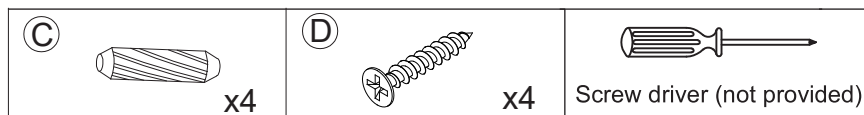
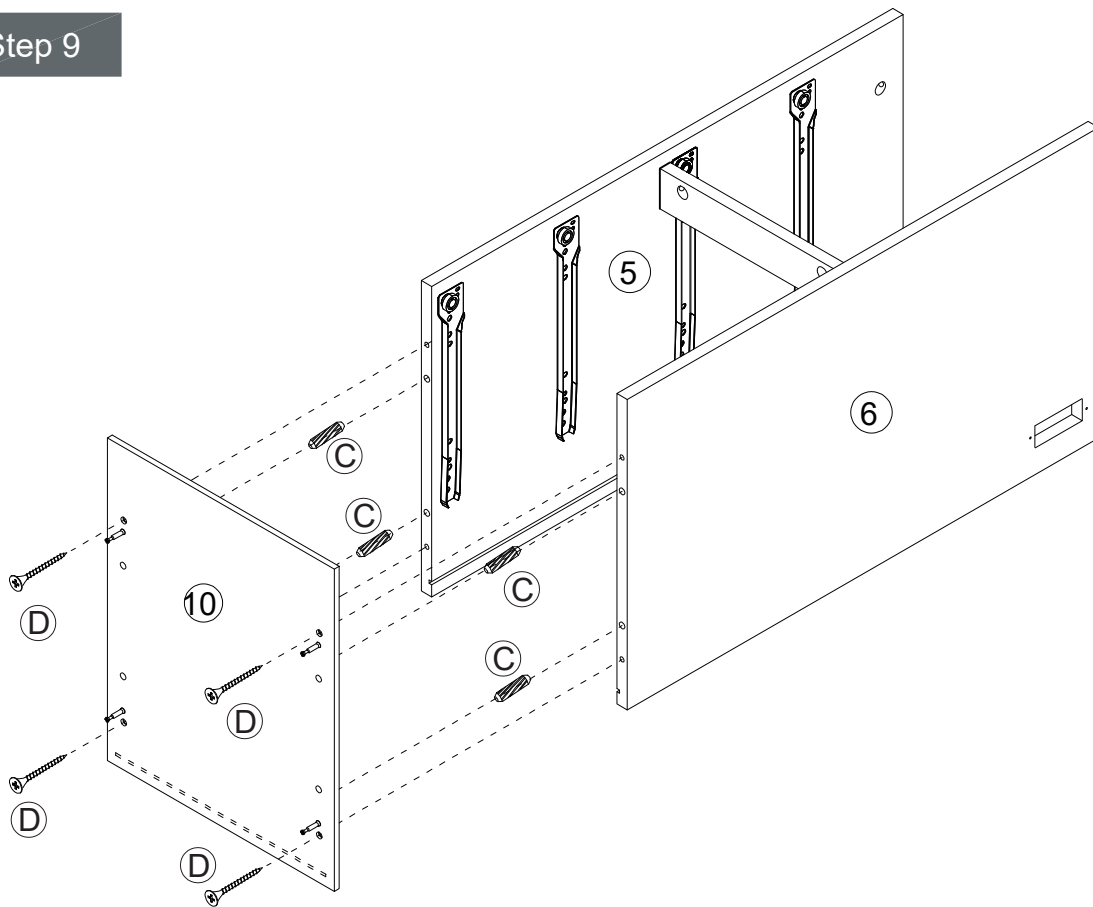


Step 8

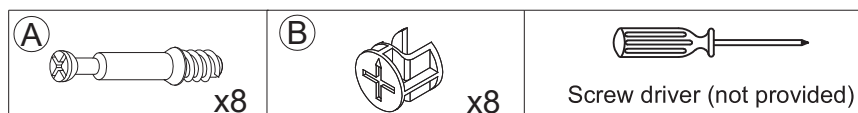
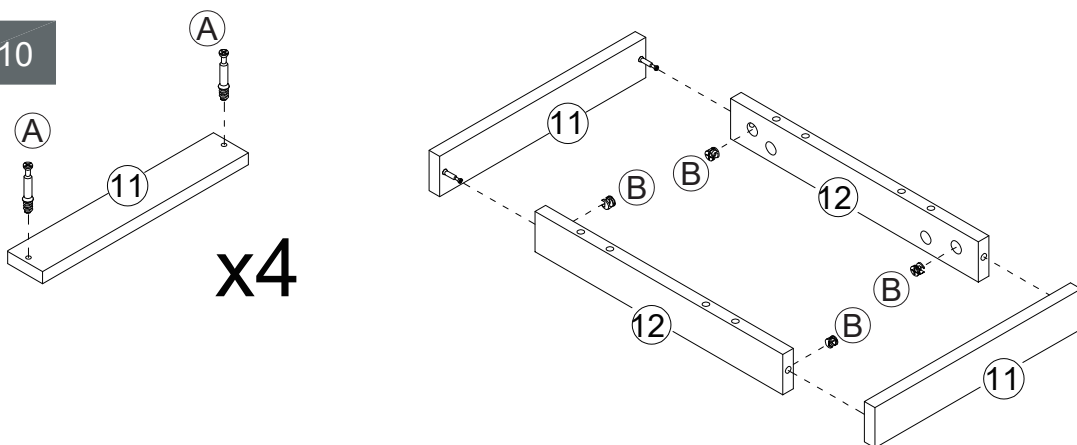


Assembly Instructions

Step 9

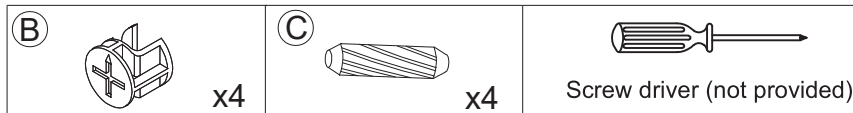
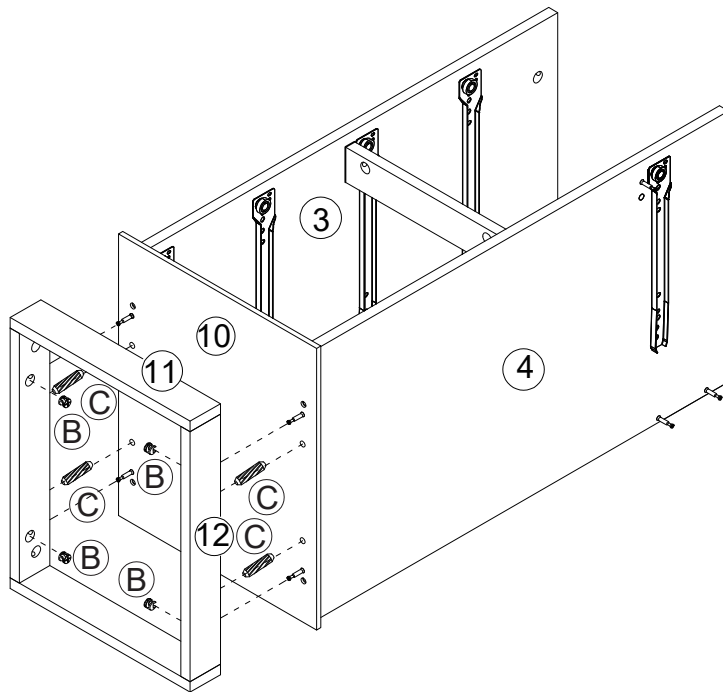


Step 10

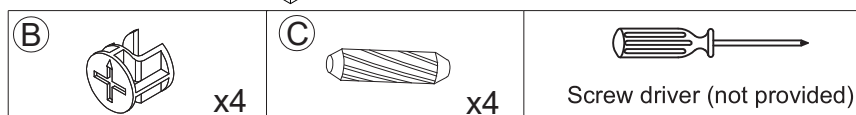
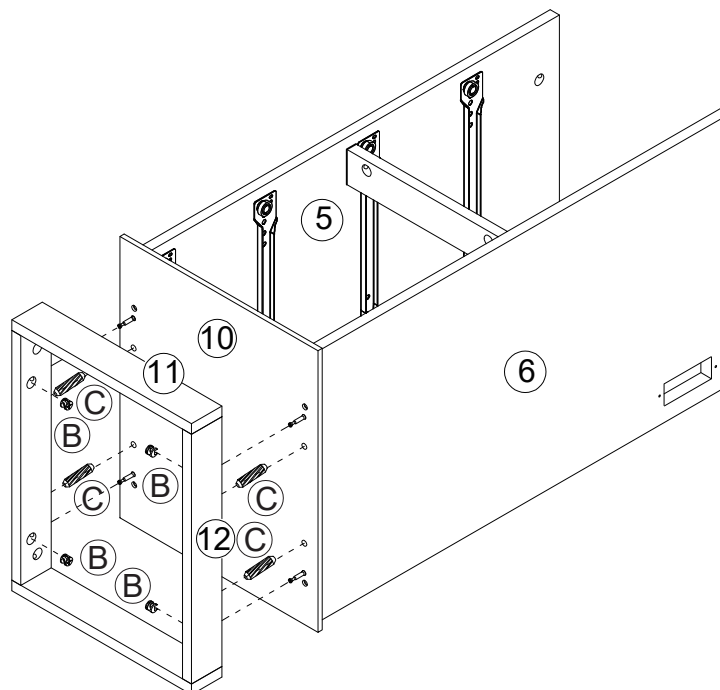


Assembly Instructions

Step 11

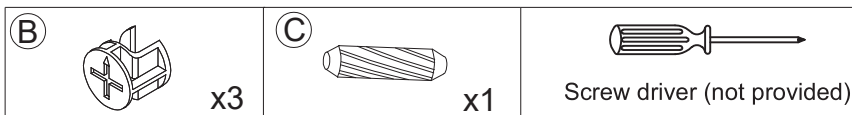
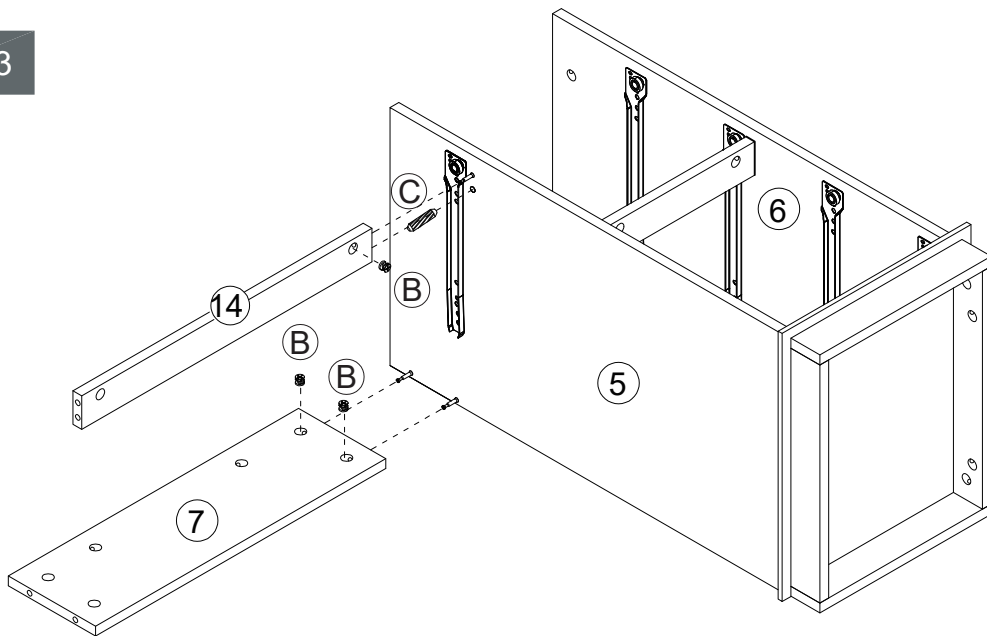


Step 12

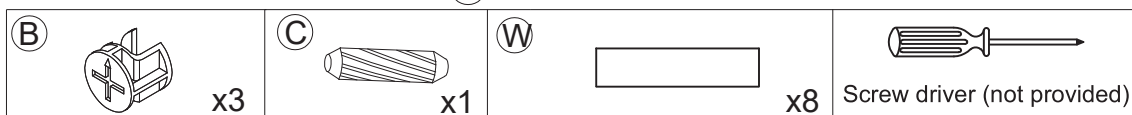
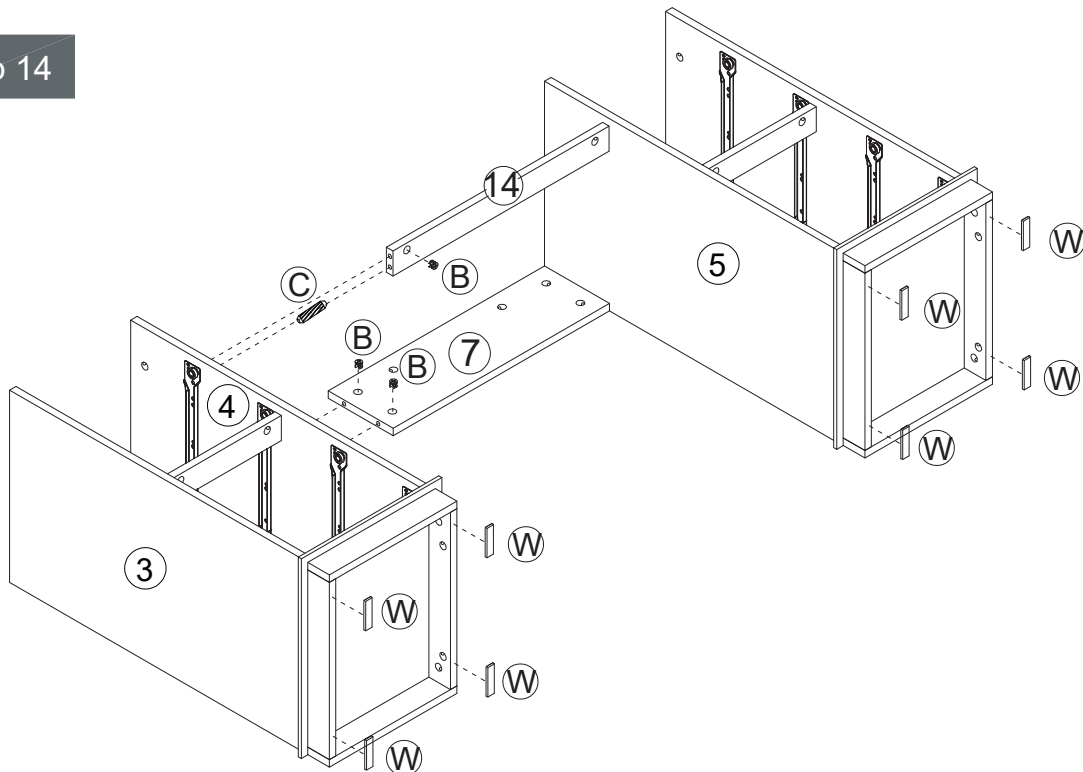


Assembly Instructions

Step 13

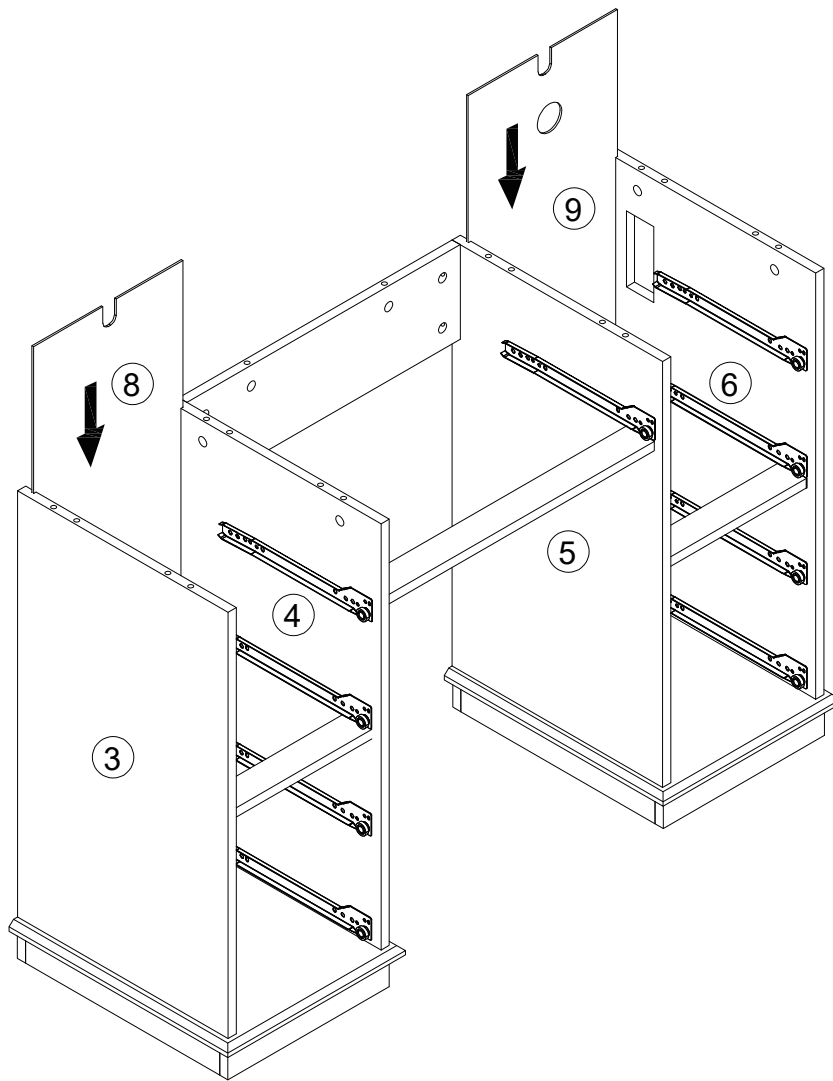


Step 14



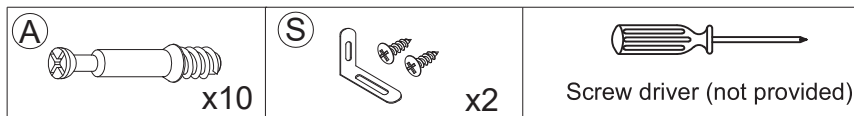
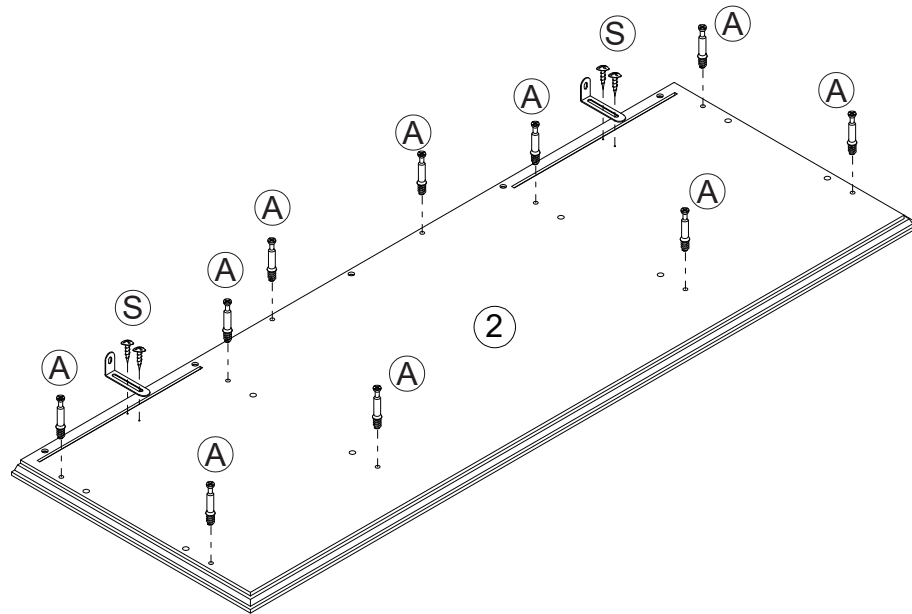
Assembly Instructions

Step 15

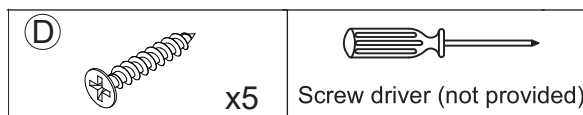
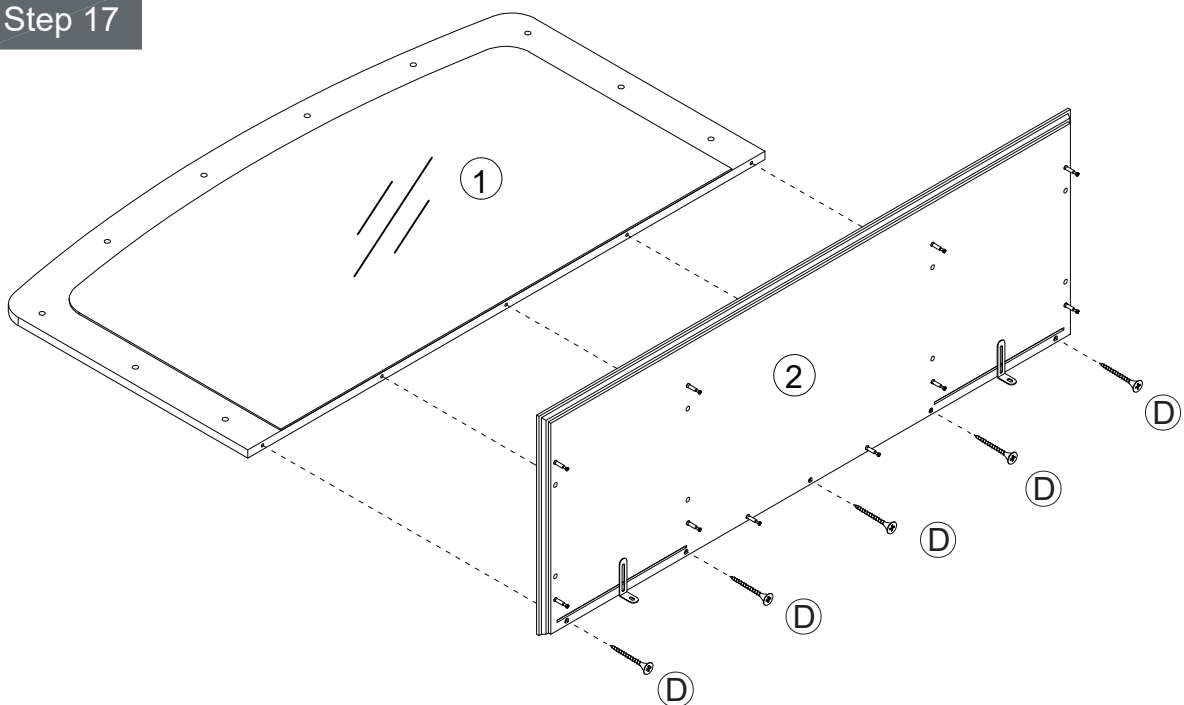


Assembly Instructions

Step 16

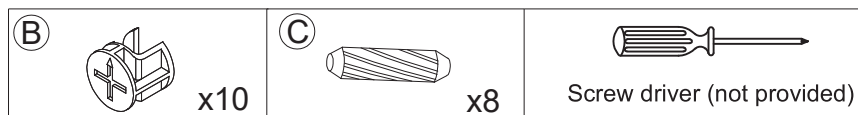
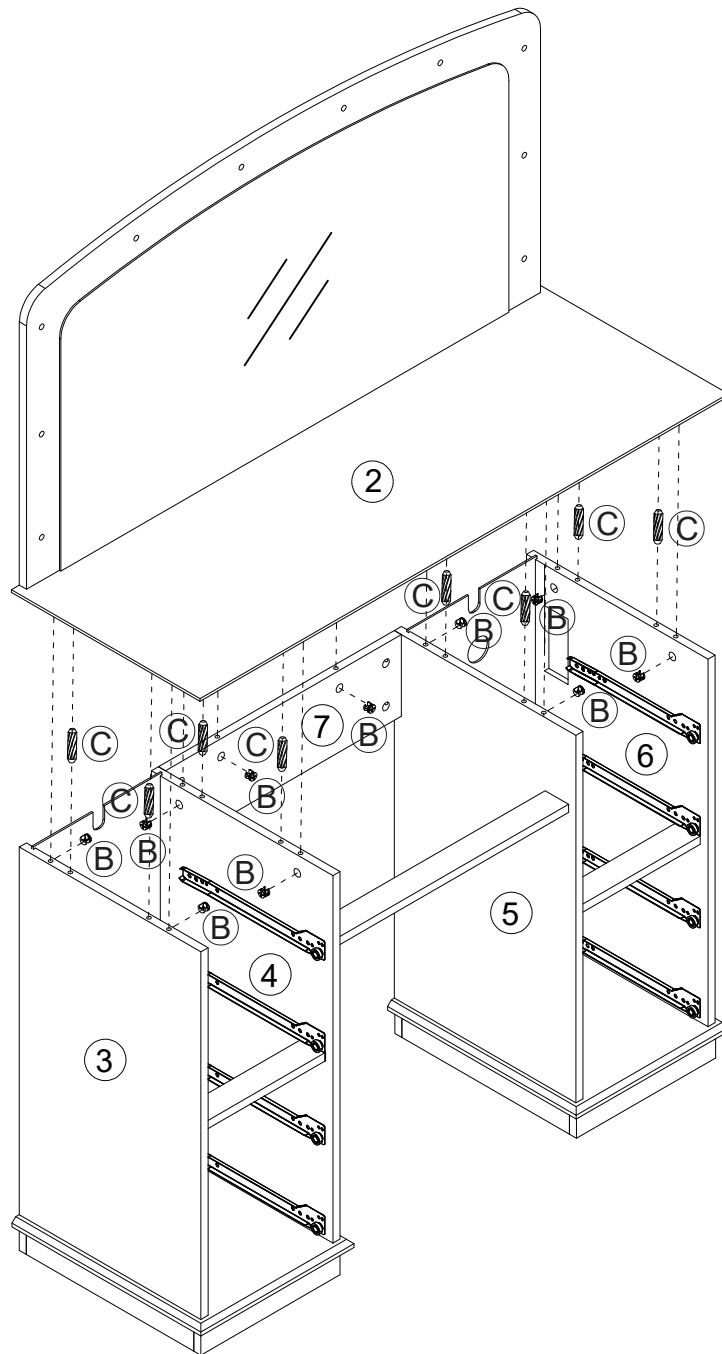


Step 17



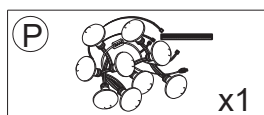
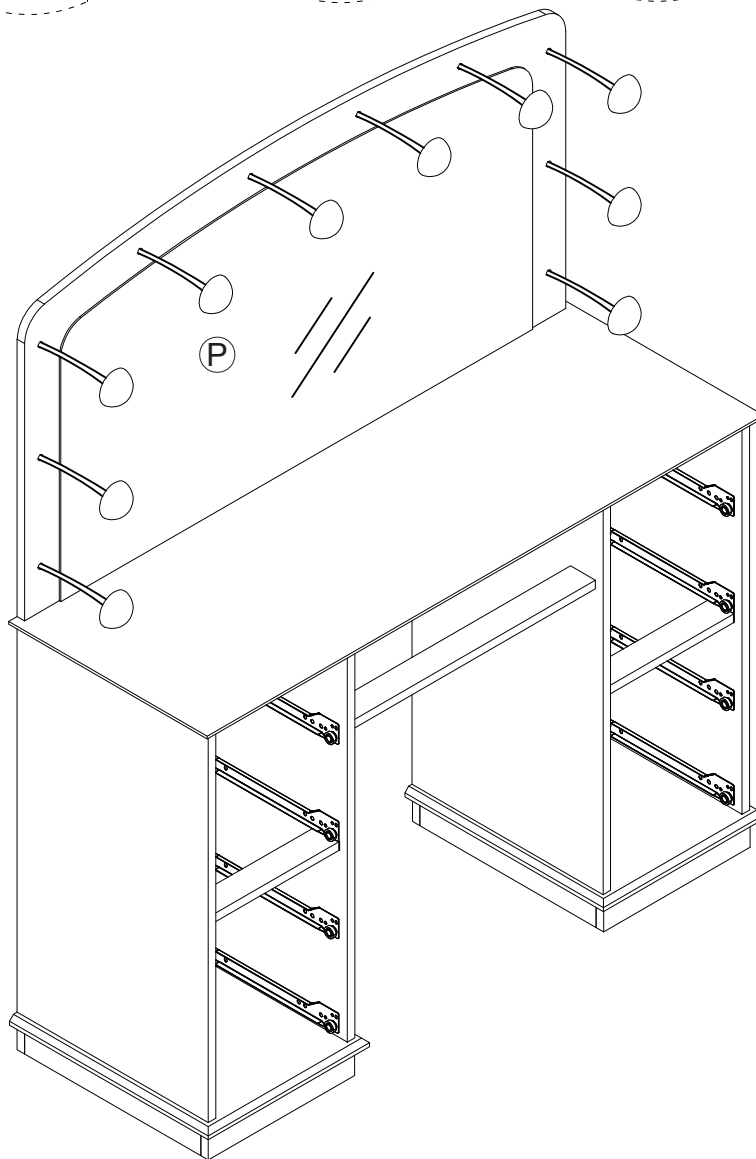
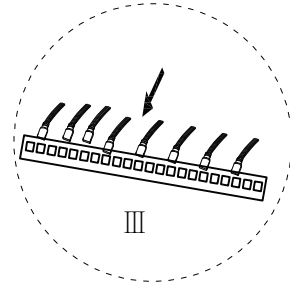
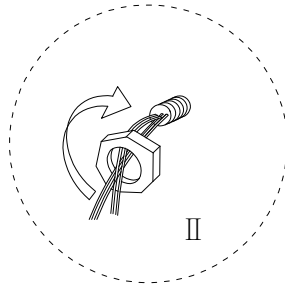
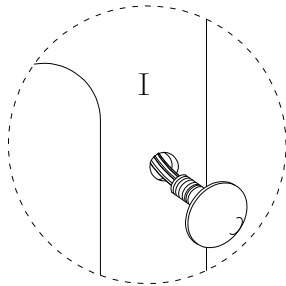
Assembly Instructions

Step 18



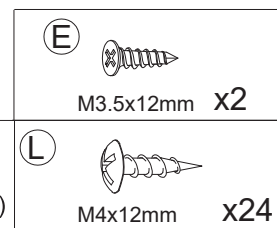
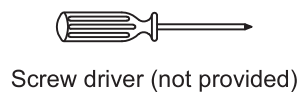
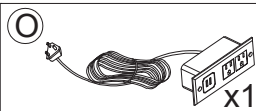
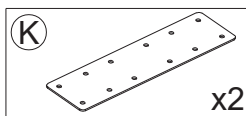
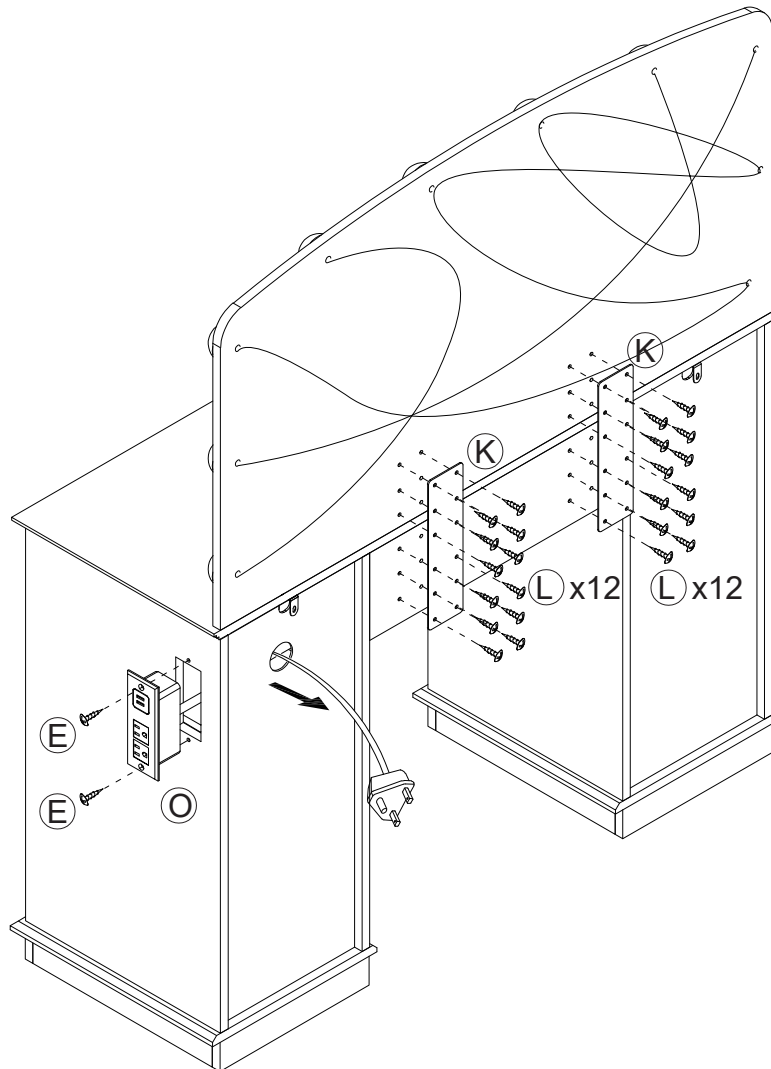
Assembly Instructions

Step 19



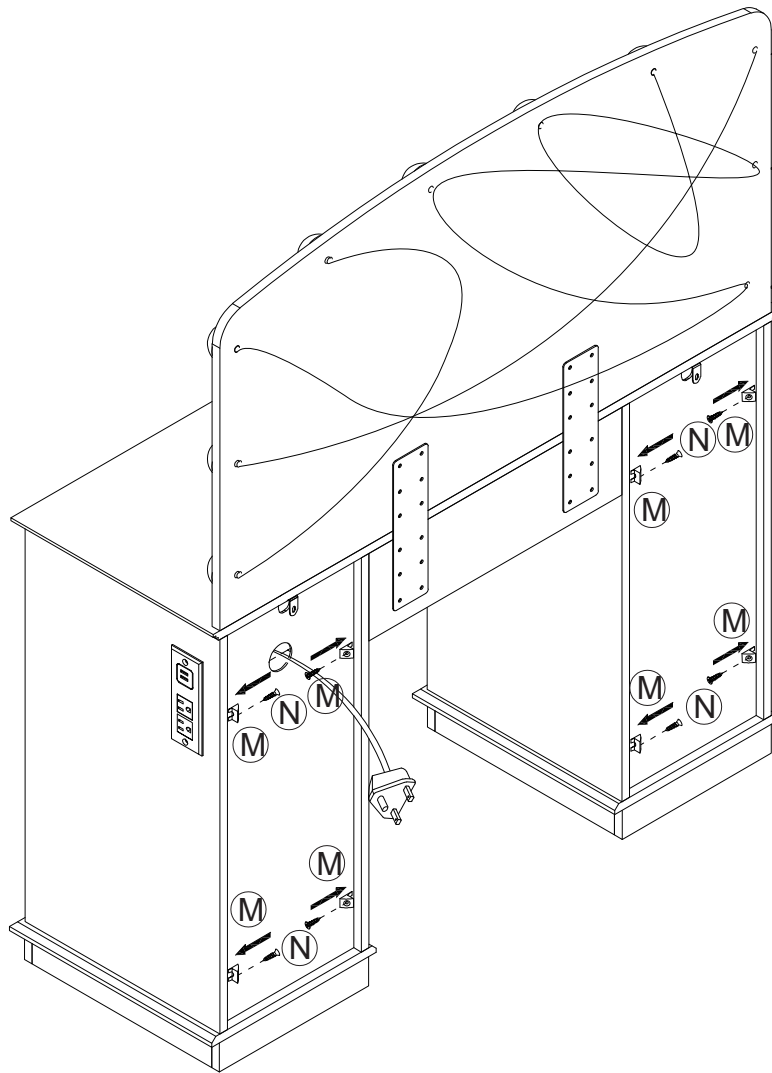
Assembly Instructions






Step 20



Assembly Instructions

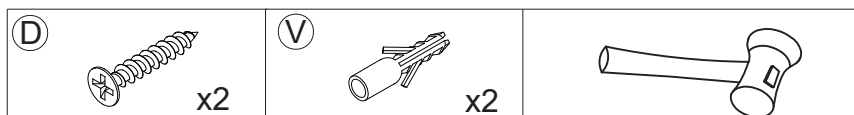
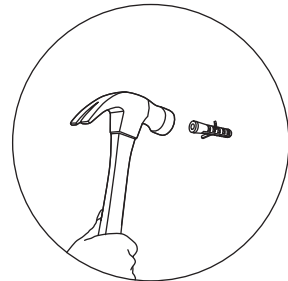
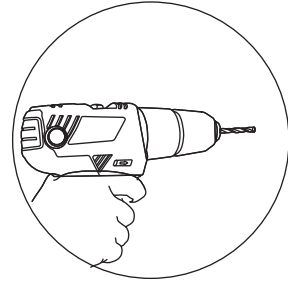
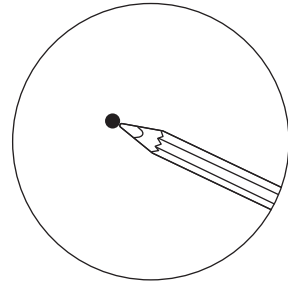
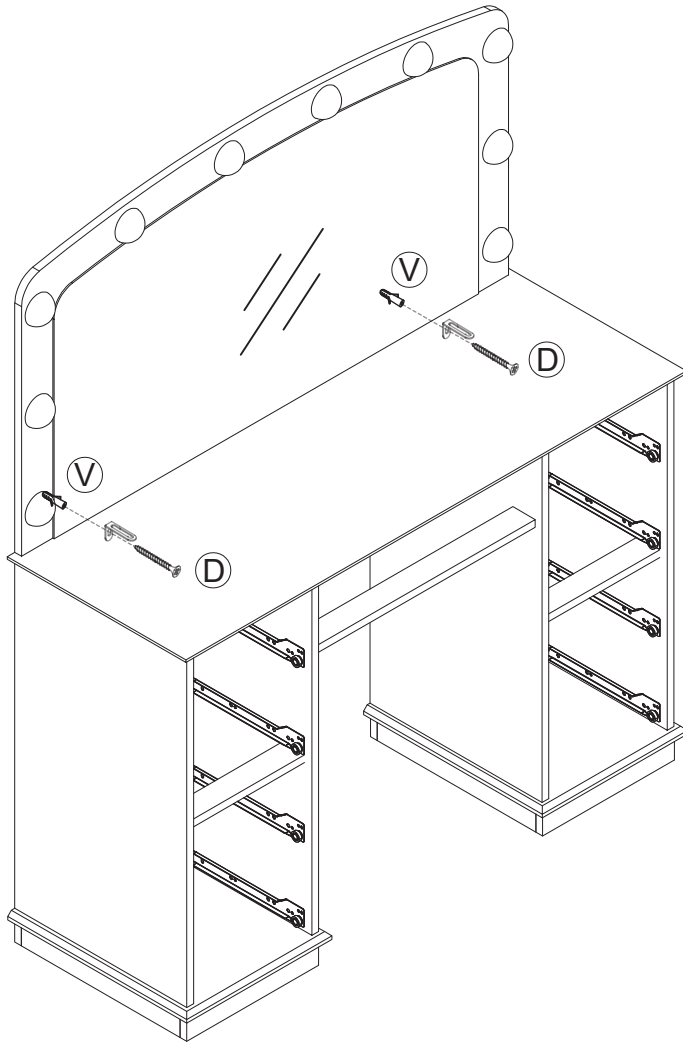
Step 21



| | | |
|--|--|--|
|   x8 |   M3x12mm x8 |  Screw driver (not provided) |
|--|--|--|

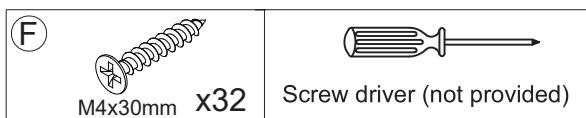
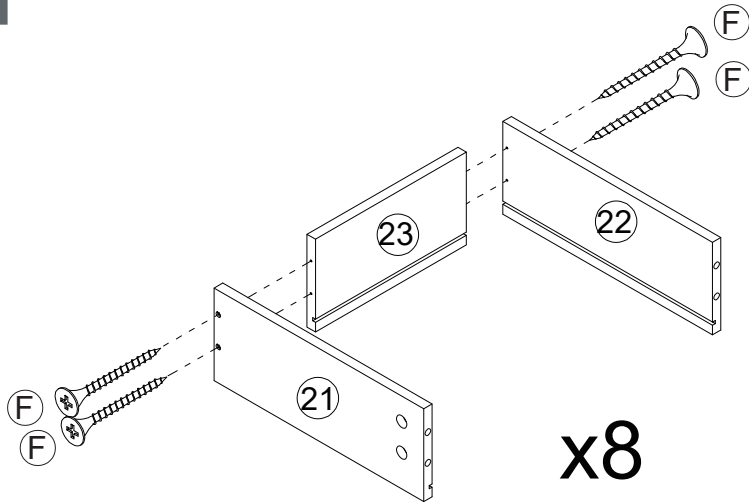
Assembly Instructions

Step 22

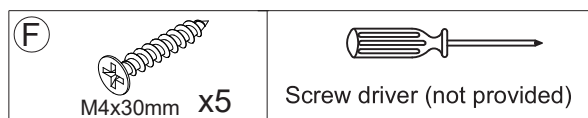
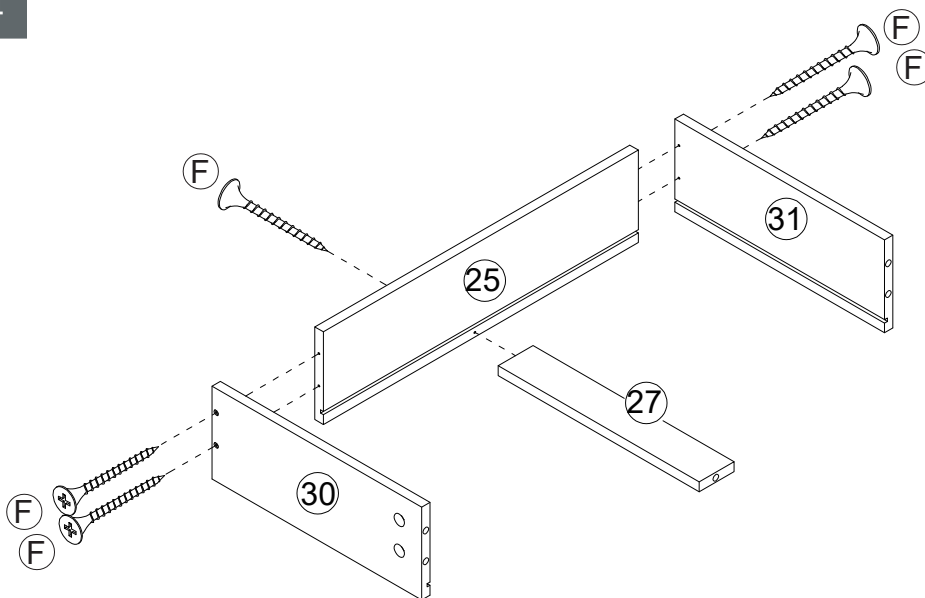


Assembly Instructions

Step 23

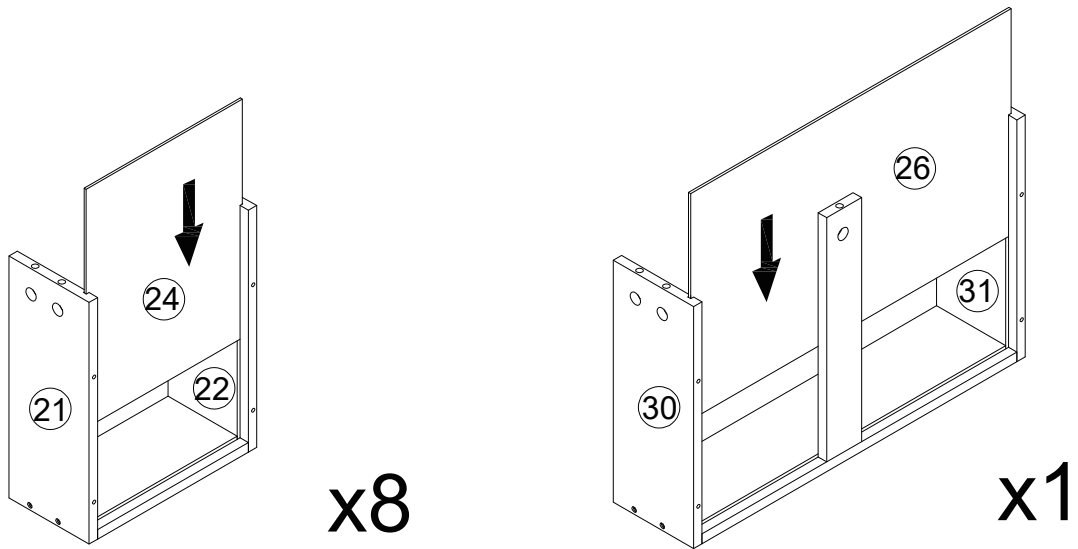


Step 24

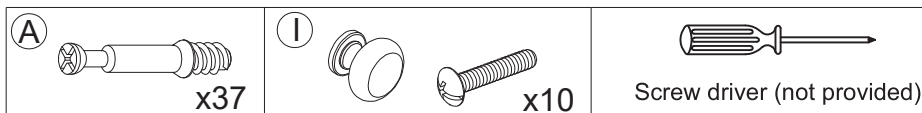
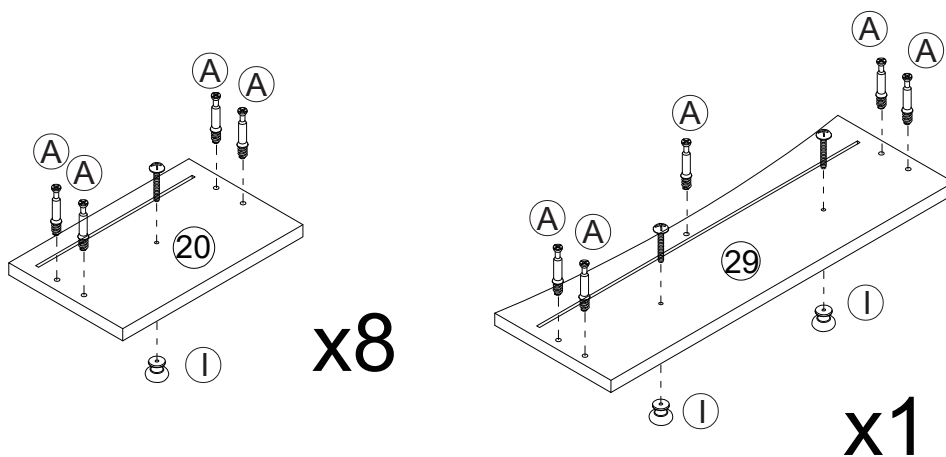


Assembly Instructions

Step 25

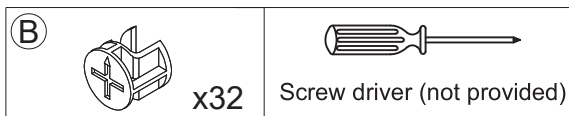
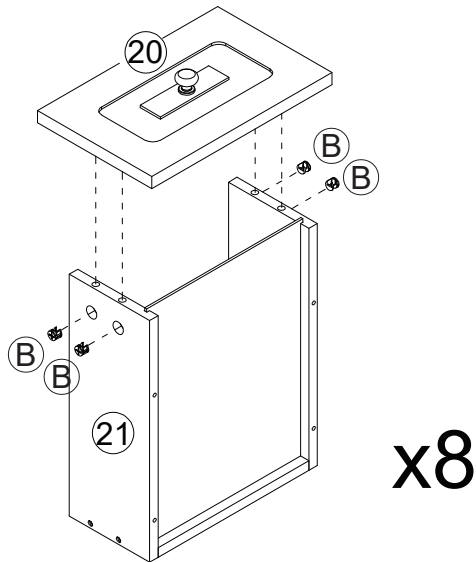


Step 26

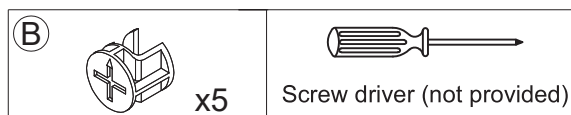
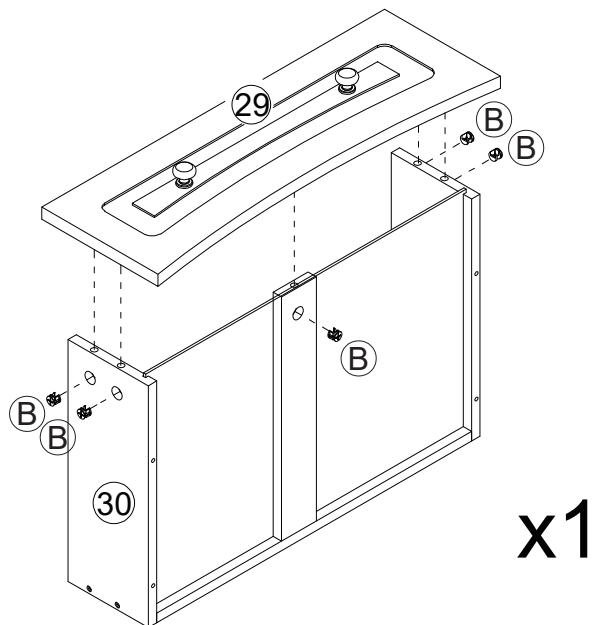


Assembly Instructions

Step 27

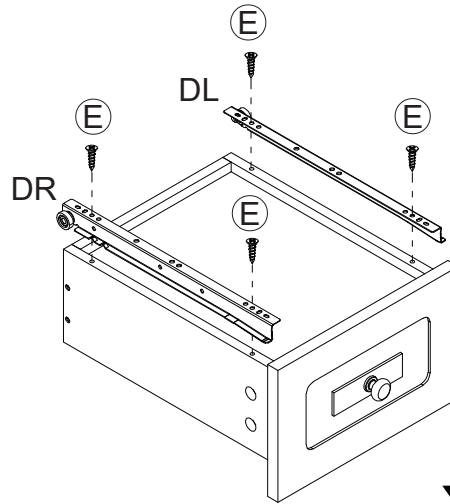


Step 28

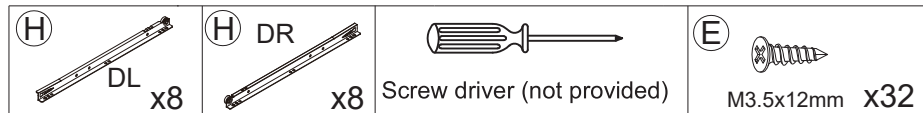


Assembly Instructions

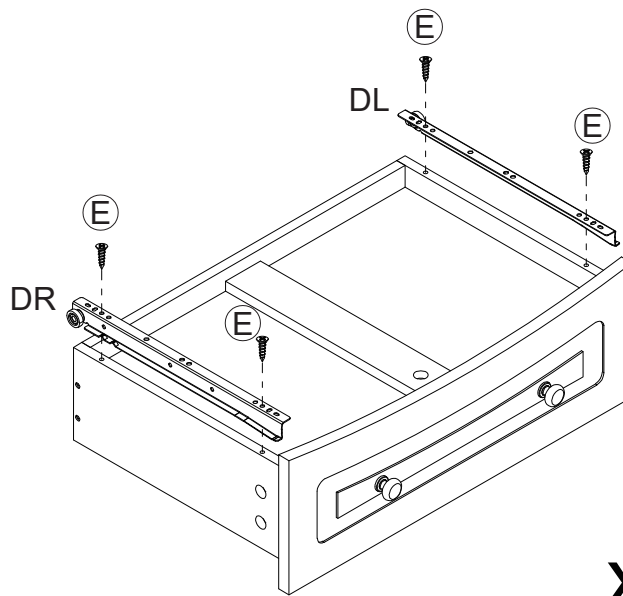
Step 29



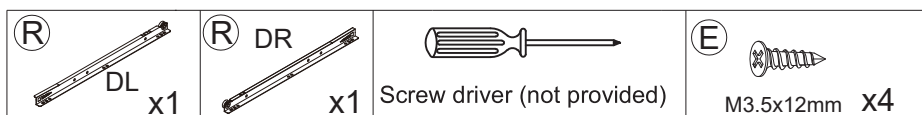
x8



Step 30

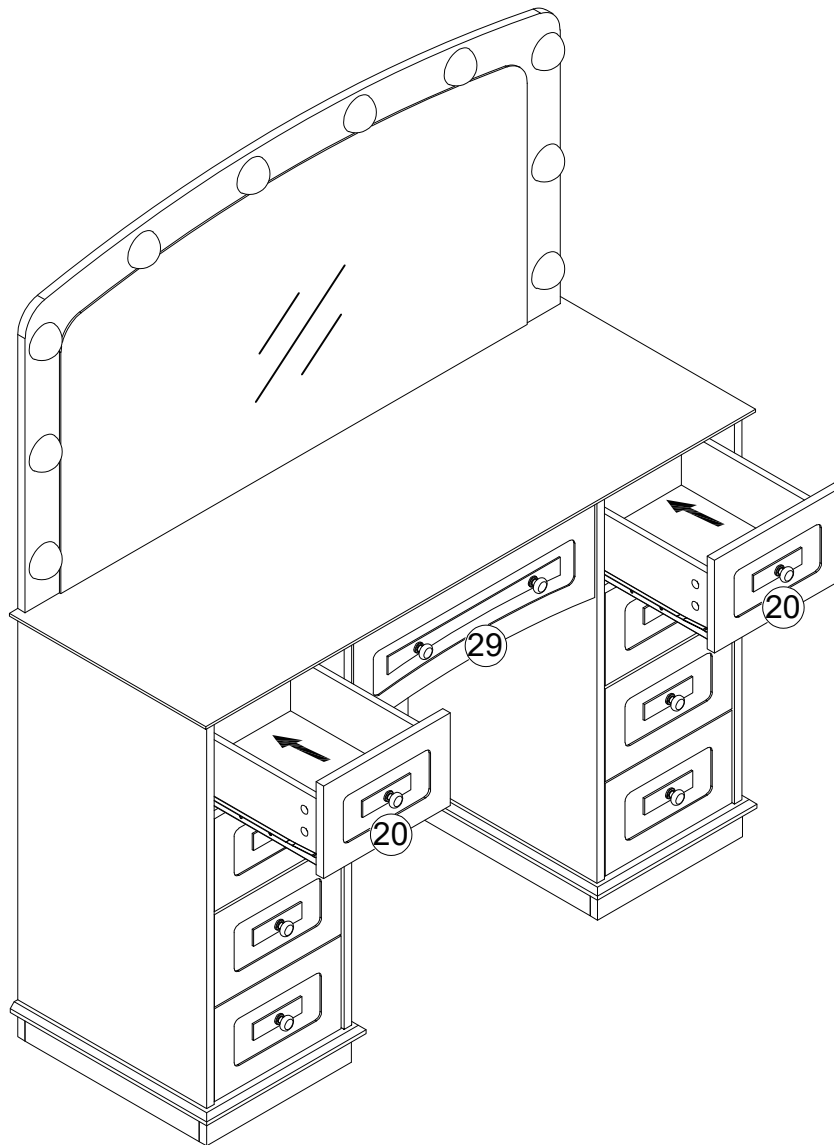


x1



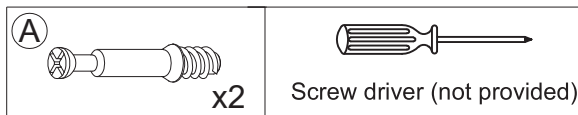
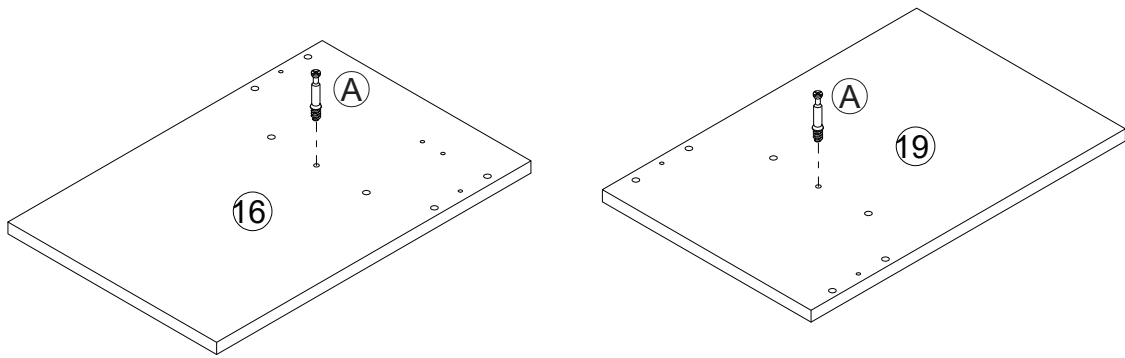
Assembly Instructions

Step 31

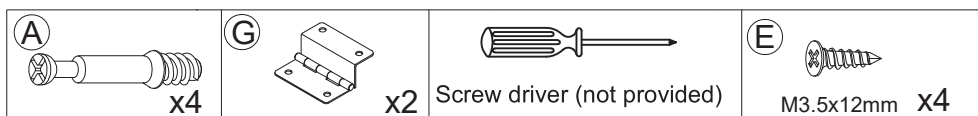
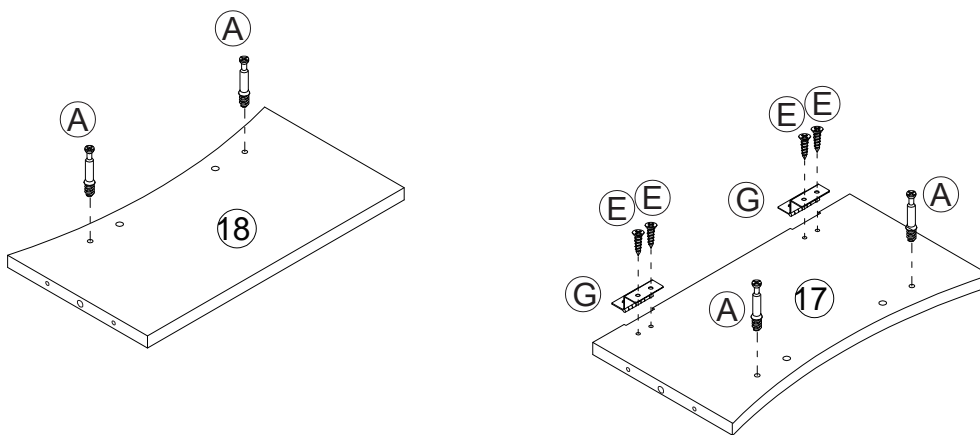


Assembly Instructions

Step 32

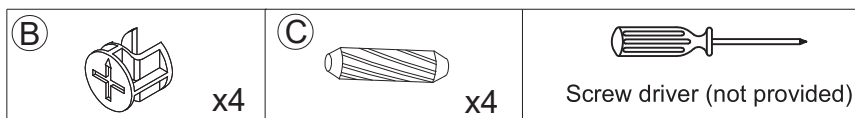
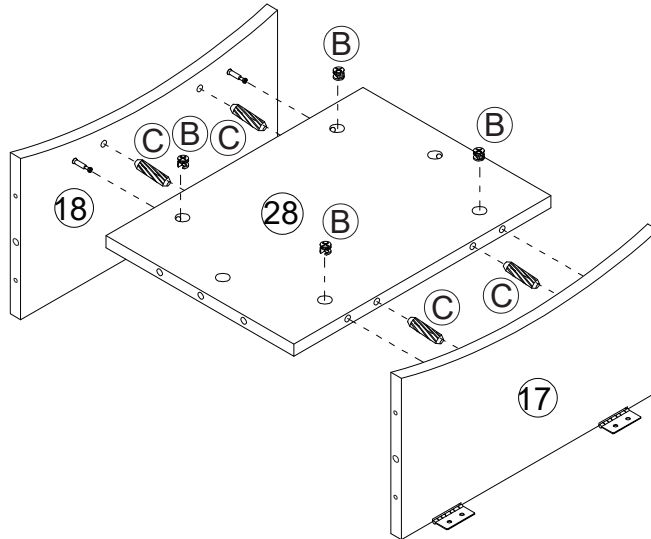


Step 33

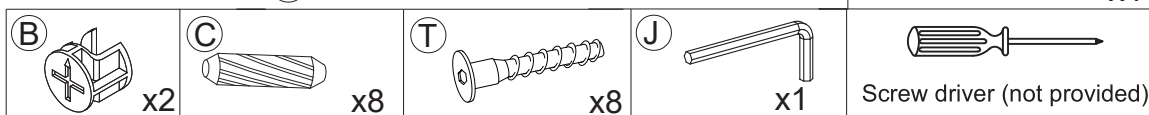
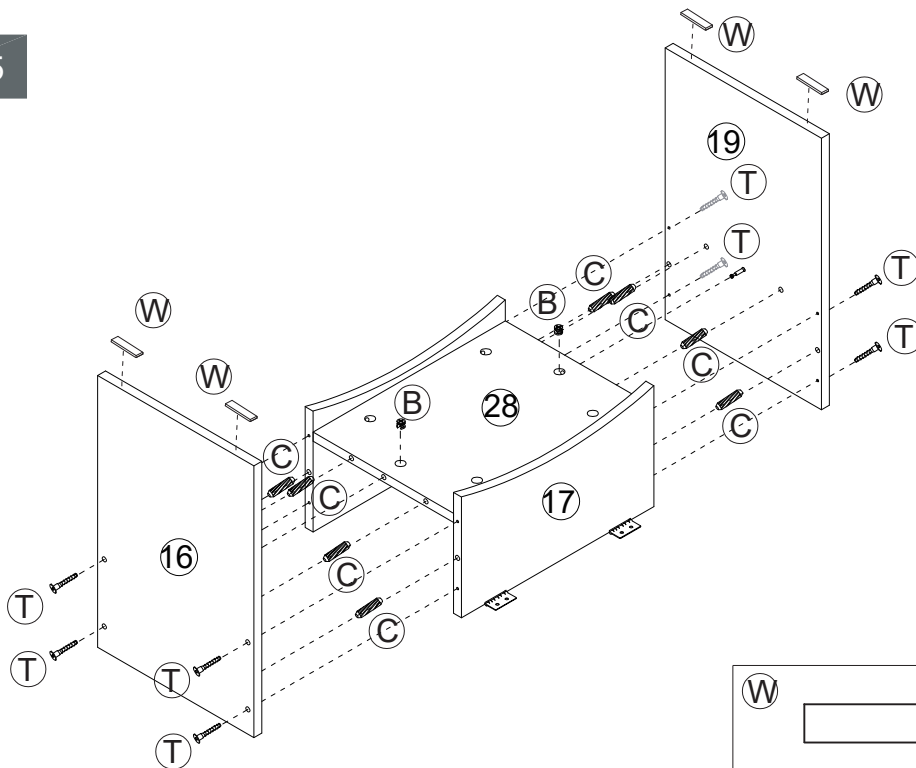


Assembly Instructions

Step 34

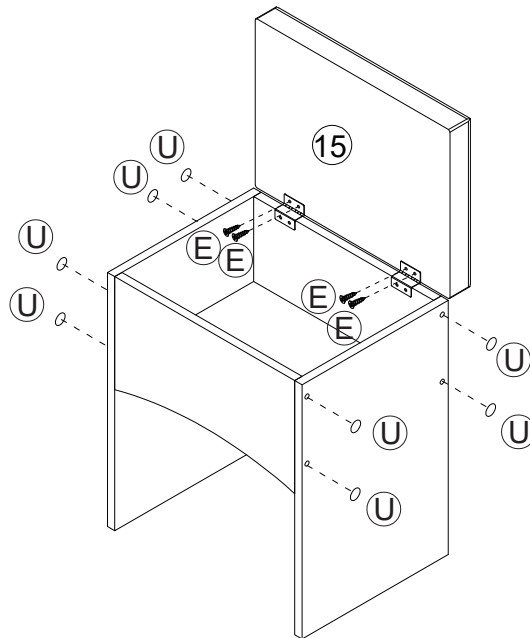



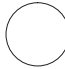



Step 35



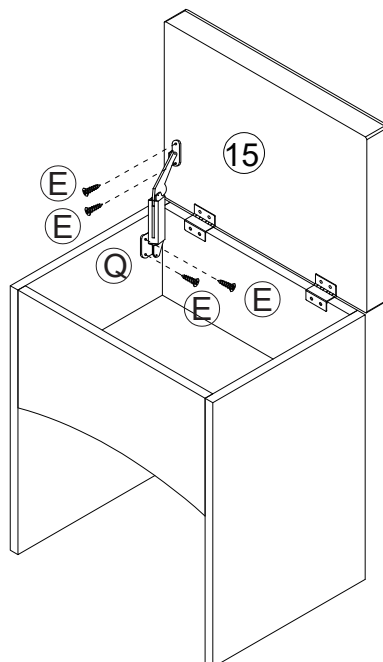
Assembly Instructions



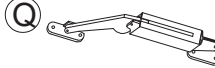
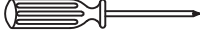
Step 36



| | | |
|---|---|--|
|   |   |  |
| x8 | M3.5x12mm x4 | Screw driver (not provided) |

Step 37



| | | |
|---|---|--|
|   |  |  |
| M3.5x12mm x4 | x1 | Screw driver (not provided) |