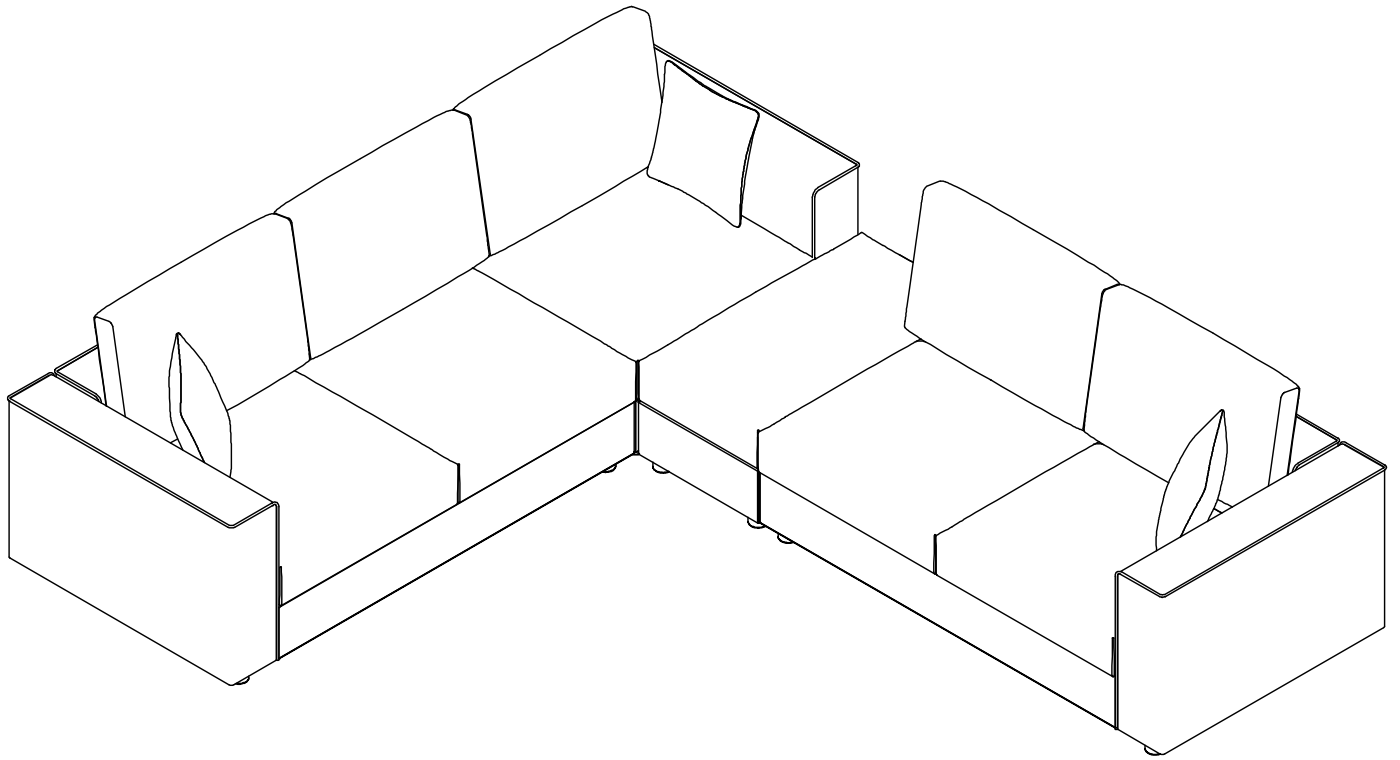
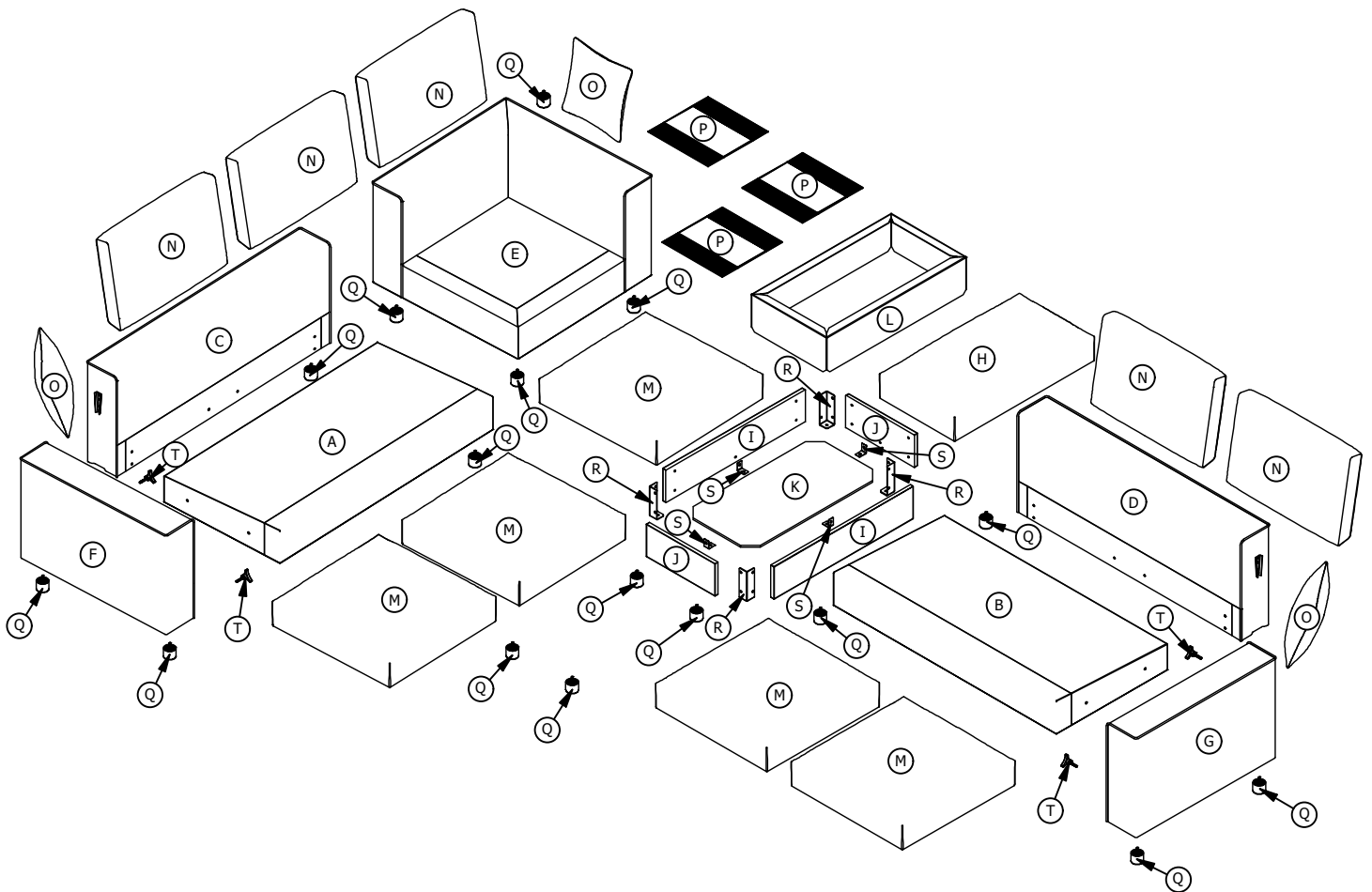


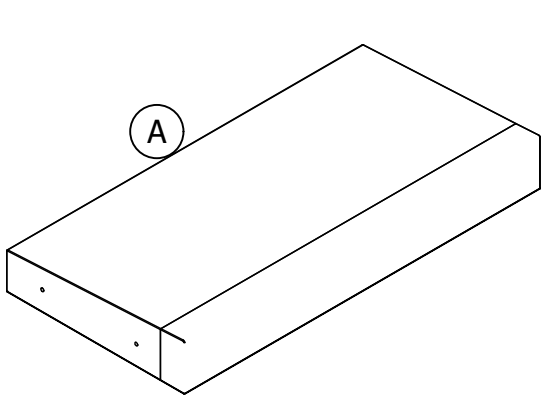
Assembly Instruction



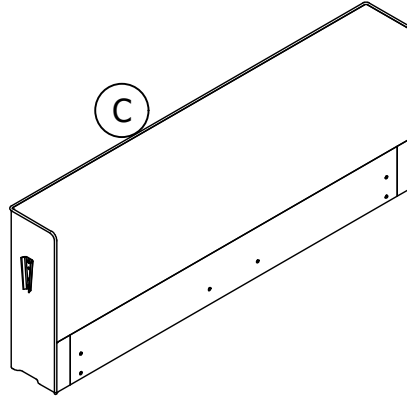
PARTS



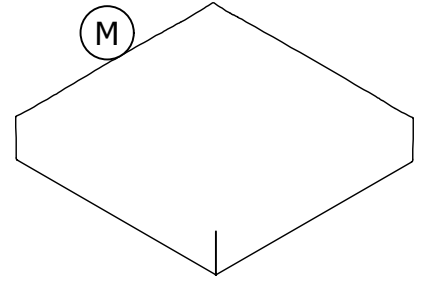
PARTS LIST - BOX A



Left Seat Frame X 1 PC

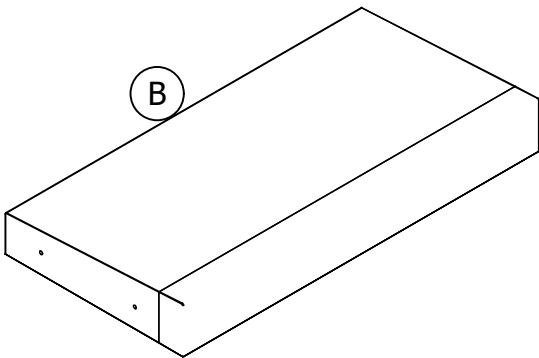


Left Back Frame X 1 PC

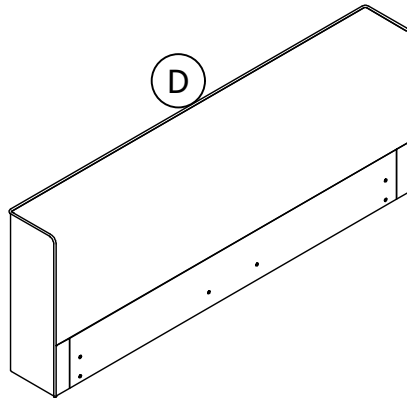


Seat Cushion X 4 PCS

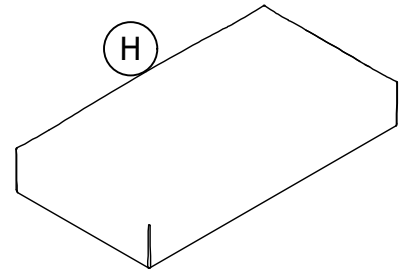
PARTS LIST - BOX B



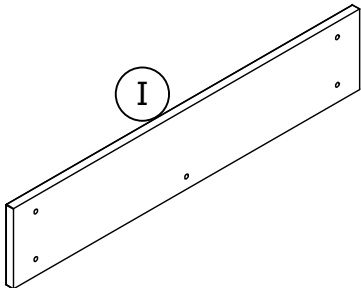
Right Seat Frame X 1 PC



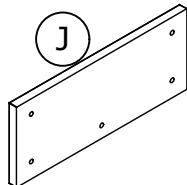
Right Back Frame X 1 PC



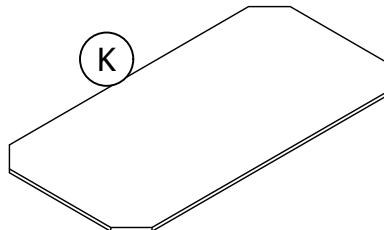
Ottoman's Seat X 1 PC



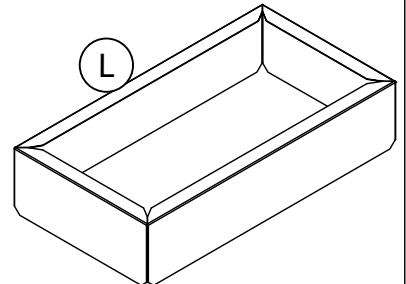
Ottoman's Plate
X 2 PCS



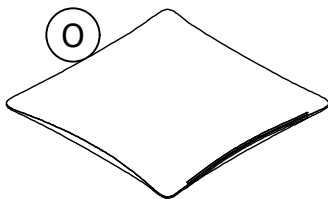
Ottoman's Plate
X 2 PCS



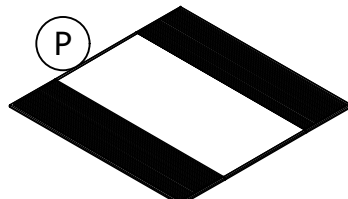
Ottoman's Bottom Plate
X 1 PC



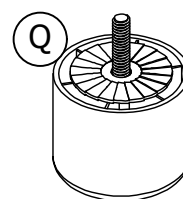
Ottoman's Cover X 1 PC



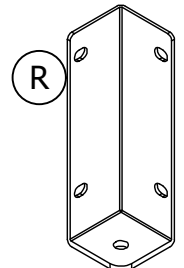
Pillow X 3 PCS



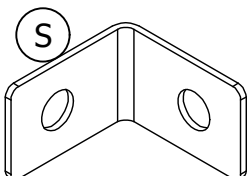
Connecting Cloth X 3 PCS



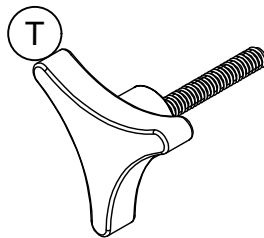
Leg X 16 PCS



Bracket X 4 PCS

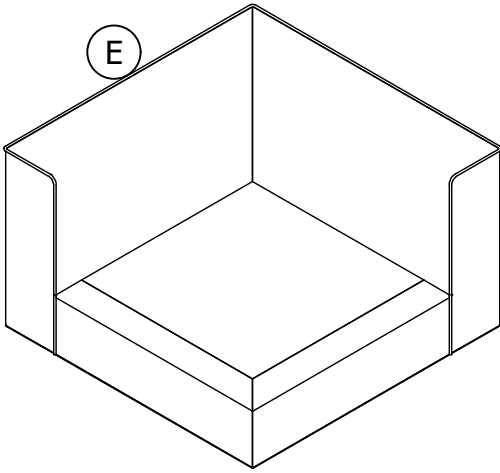


Connector X 4 PCS

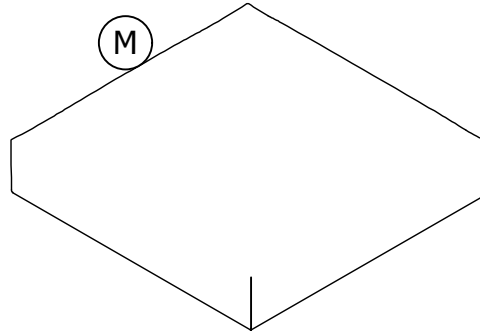


Bolt X 4 PCS

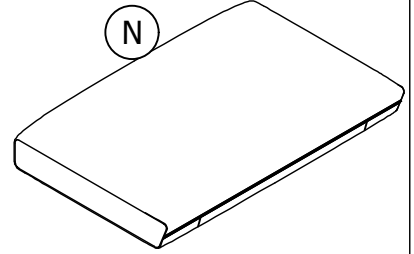
PARTS LIST - BOX C



Corner X 1 PC

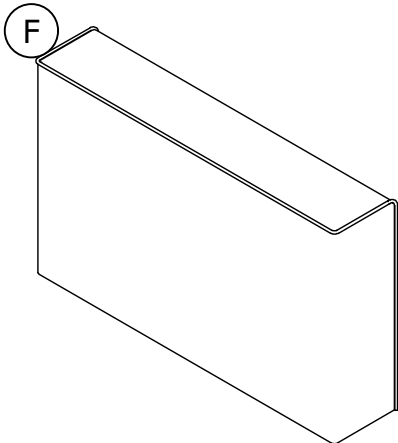


Seat Cushion X 1 PC

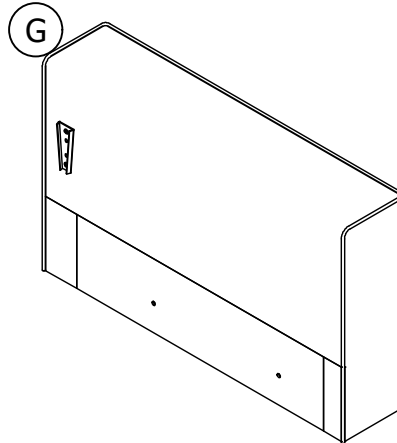


Back Cushion X 5 PCS

PARTS LIST - BOX D

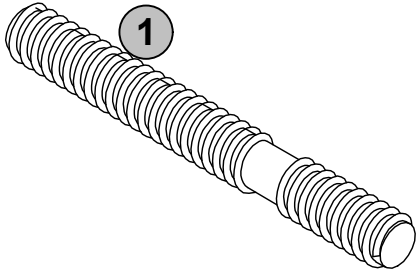


Left Armrest X 1 PC

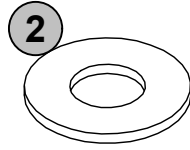


Right Armrest X 1 PC

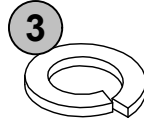
HARDWARE 1 (in BOX B)



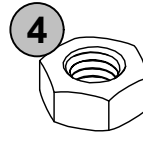
Stud 5/16" X 70mm
X 12



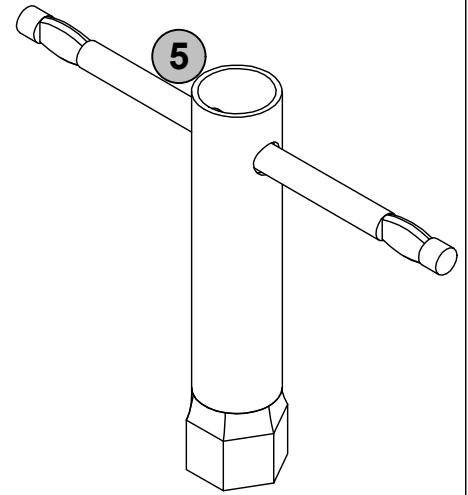
Washer
X 12



Spring Washer
X 12

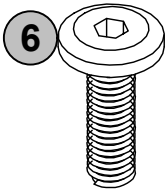


Nut
X 12

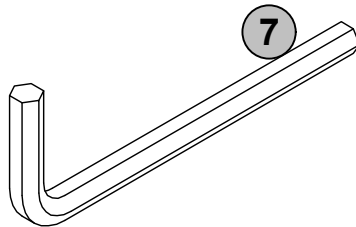


Wrench
X 1

HARDWARE 2 (in BOX B)



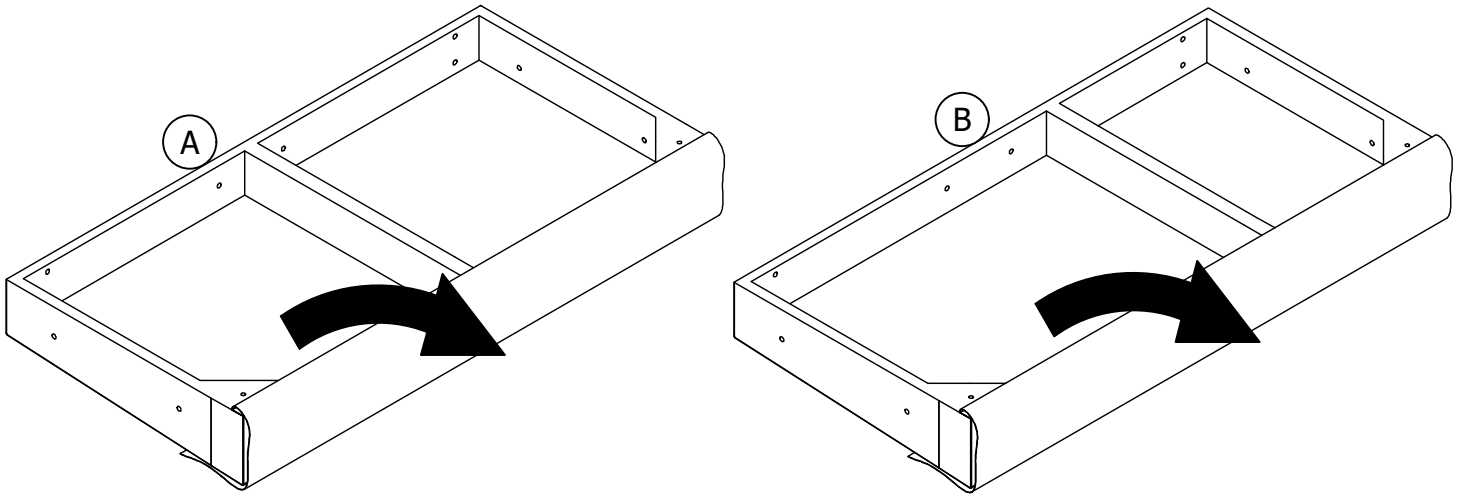
Bolts 1/4" X 20mm
X 20



Allen Key 4mm
X 1

STEP 1:

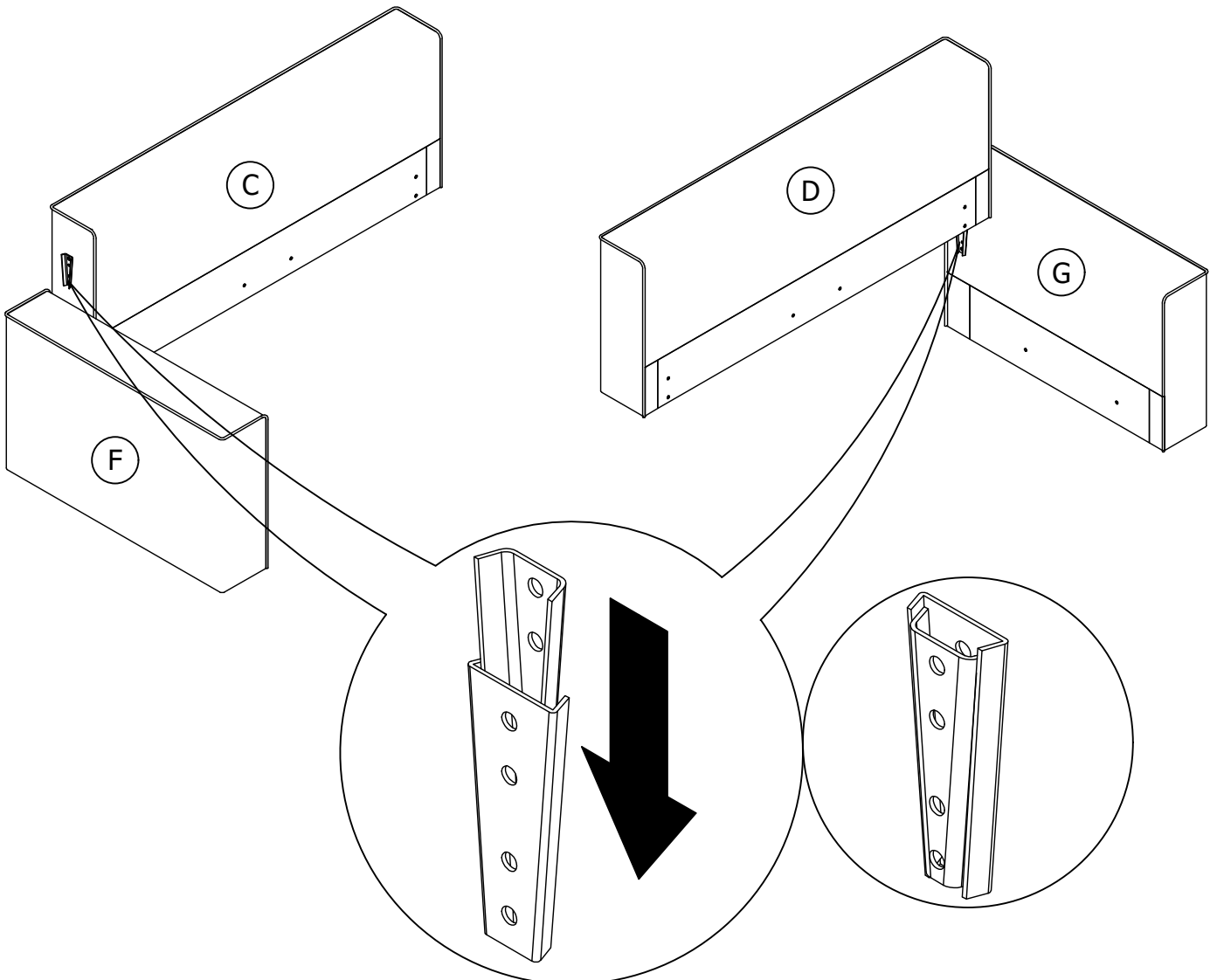
Something will be found in the compartment under the seat, as shown.



STEP 2:

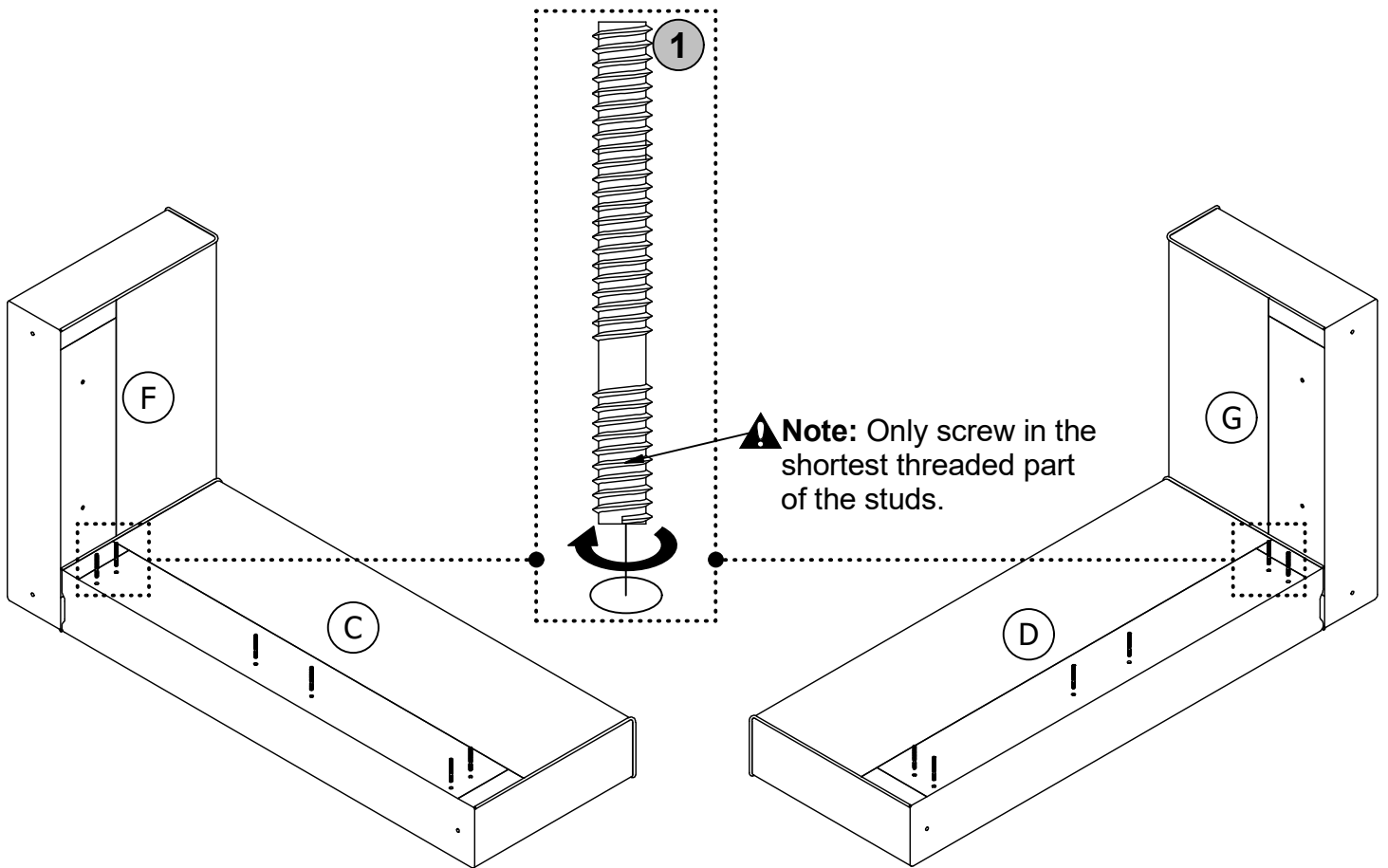
Attach Back Frames **C** & **D** to Armrests **F** & **G** by inserting the brackets on Back Frames **C** & **D** to the metal glides on Armrests **F** & **G**.

Push Back Frames **C** & **D** downwards to secure it into place.



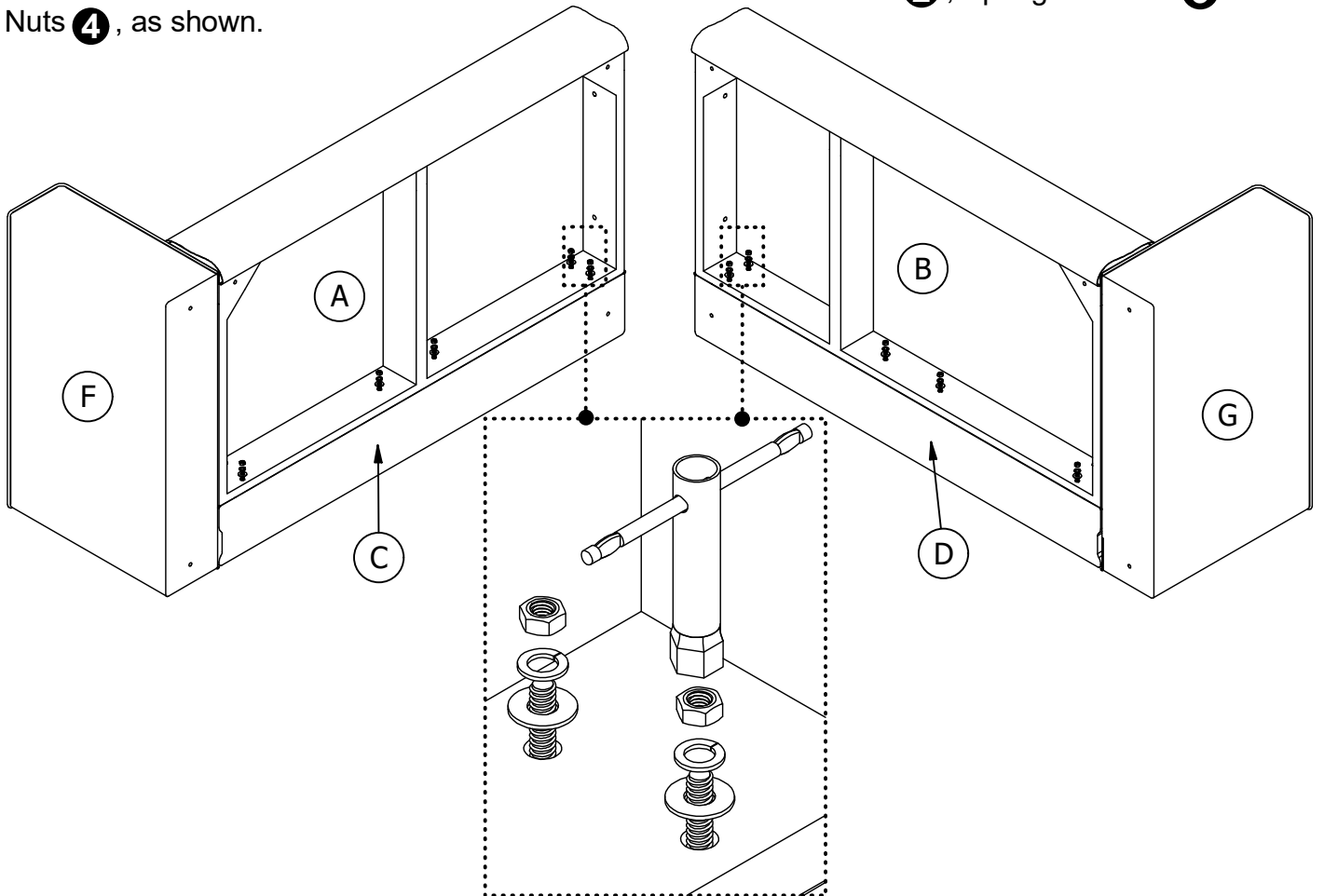
STEP 3:

Hand tighten studs **1** into Back Frame **C** & **D**, as shown.



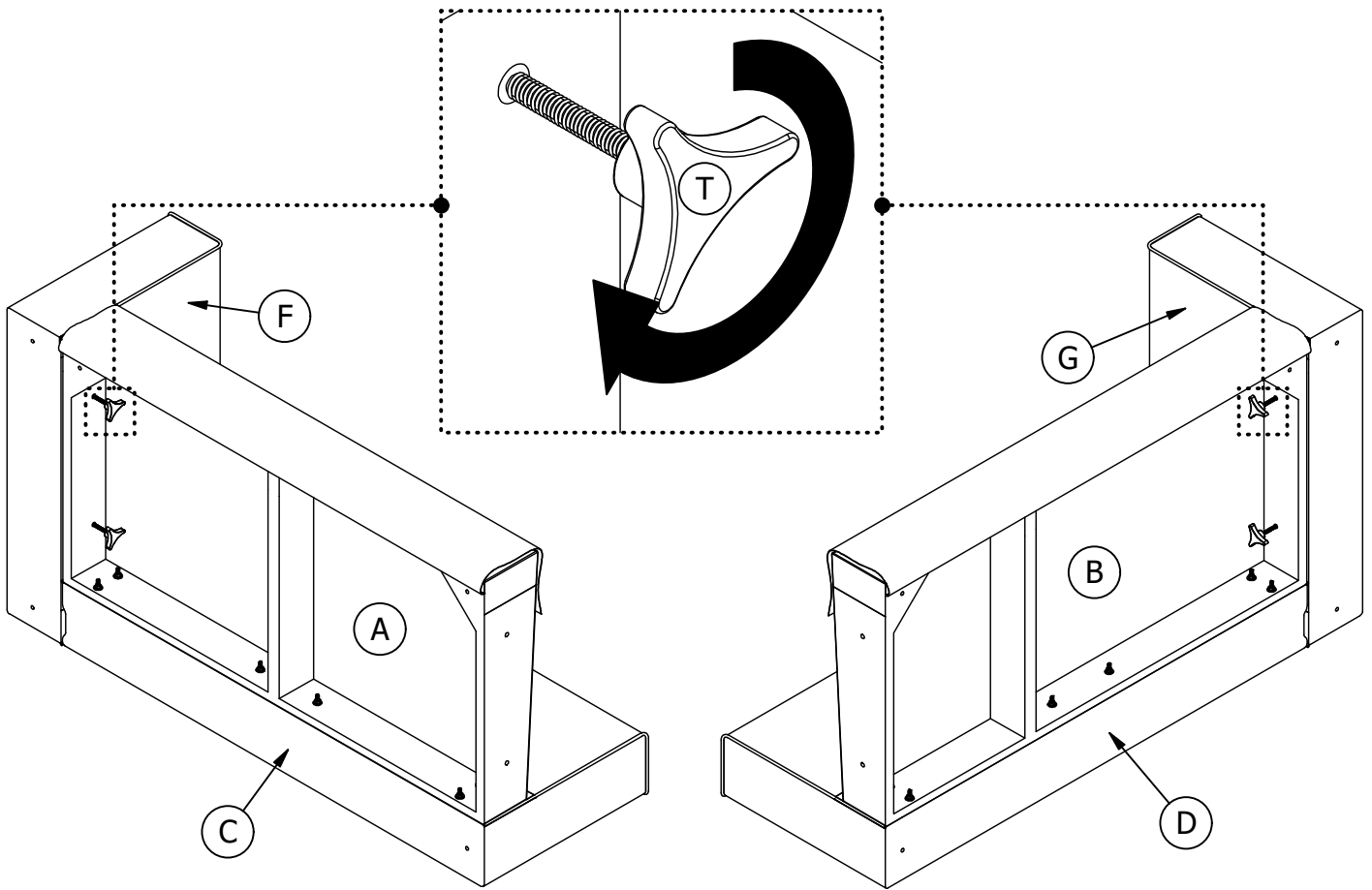
STEP 4:

Attach Seat Frames **A** & **B** to Back Frames **C** & **D** with Flat Washers **2**, Spring Washers **3** and Nuts **4**, as shown.



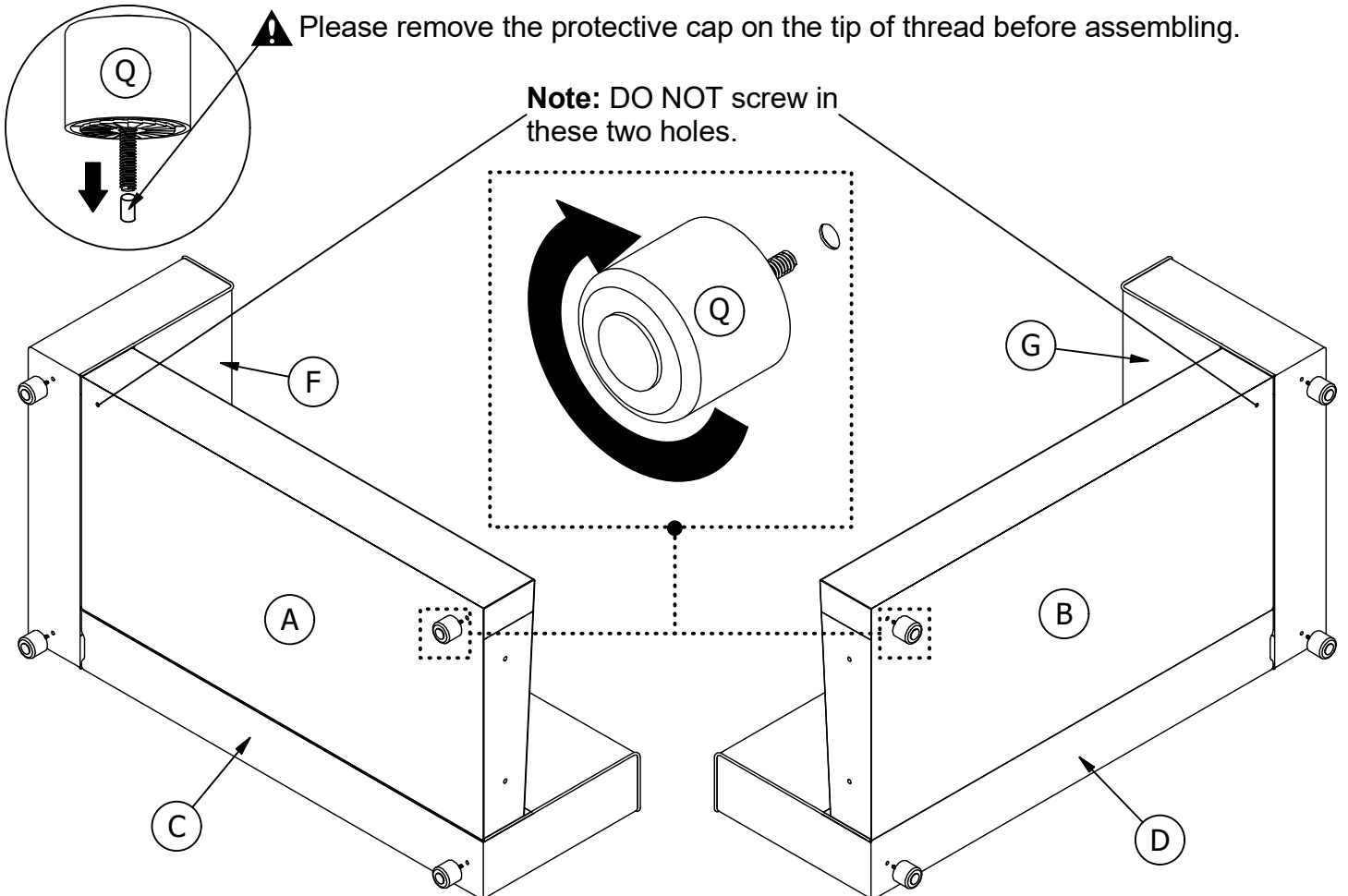
STEP 5:

Attach Seat Frames **A** & **B** to Armrests **F** & **G** using Bolt **T** x 4, as shown.



STEP 6:

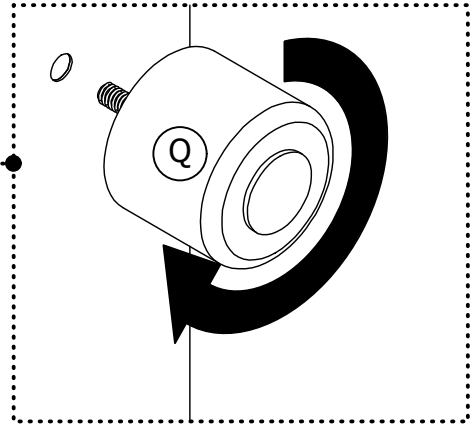
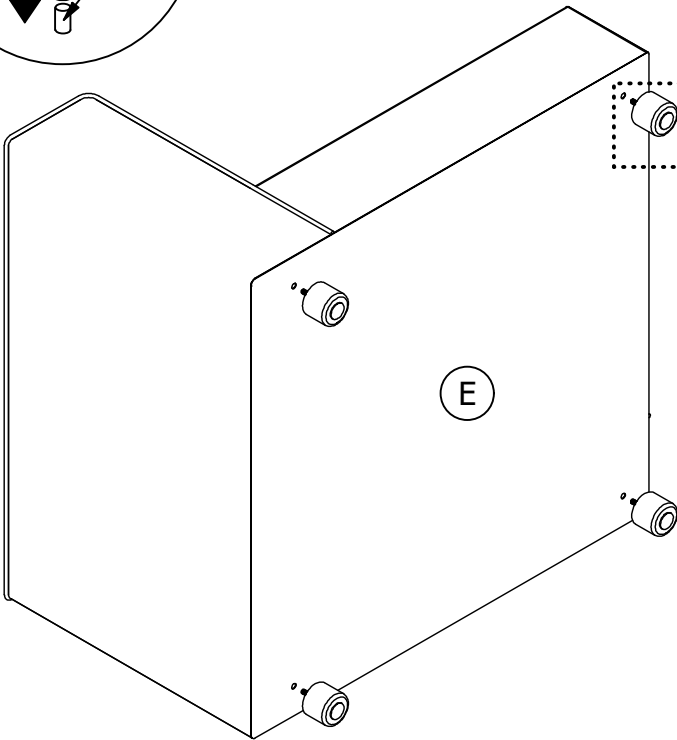
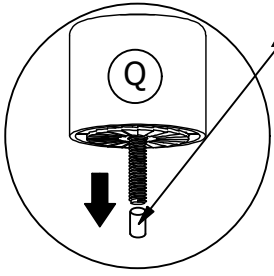
Manually screw leg **Q** x 8 to Seat Frames **A** & **B**, Back Frames **C** & **D** and Armrests **F** & **G**, as shown.



STEP 7:

Manually screw leg **Q** x 4 to Corner **E**, as shown.

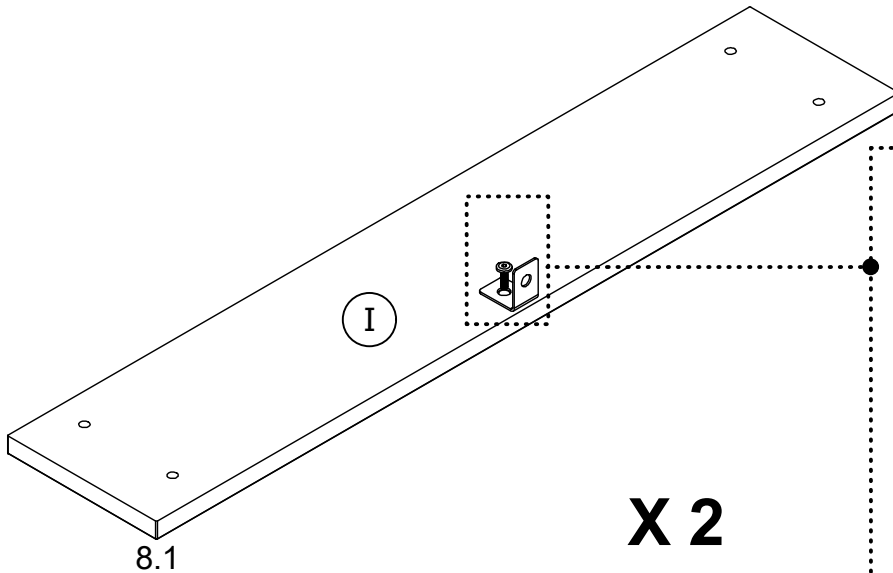
⚠ Please remove the protective cap on the tip of thread before assembling.



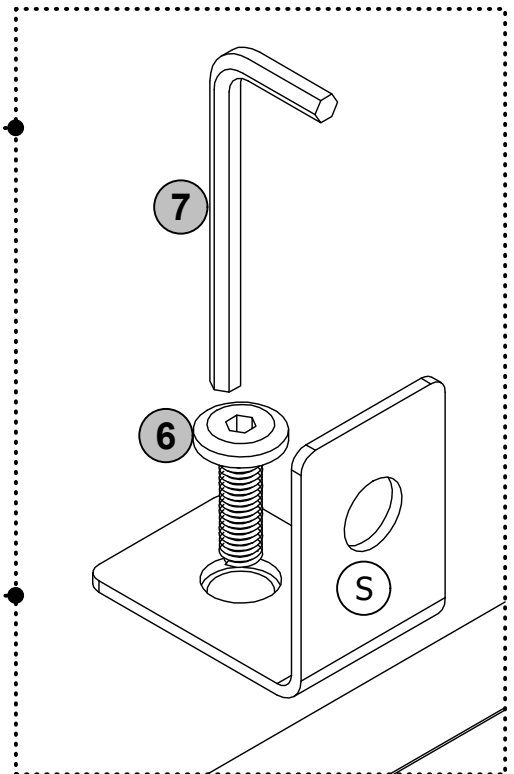
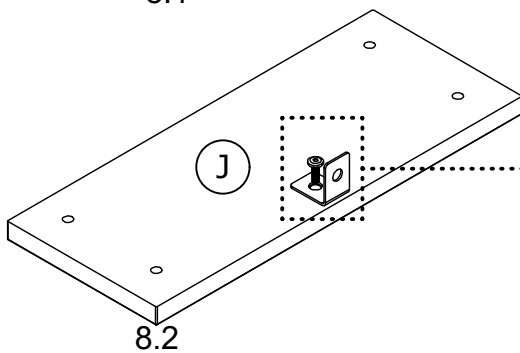
STEP 8:

8.1 Attach Connectors **S** x 2 to Ottoman's Plate **I** x 2 with Bolt **6**.

8.2 Attach Connectors **S** x 2 to Ottoman's Plate **J** x 2 with Bolt **6**, as shown.

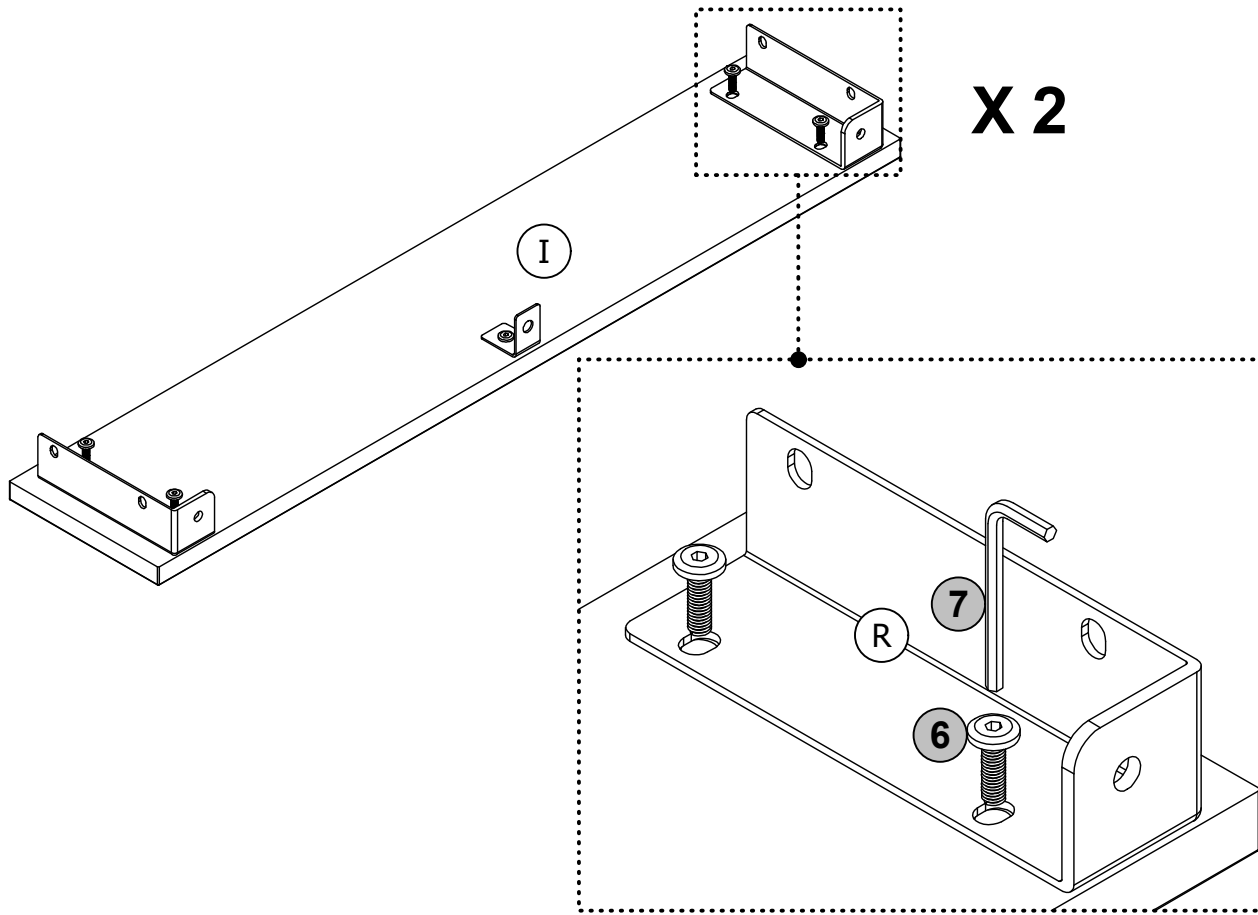


X 2



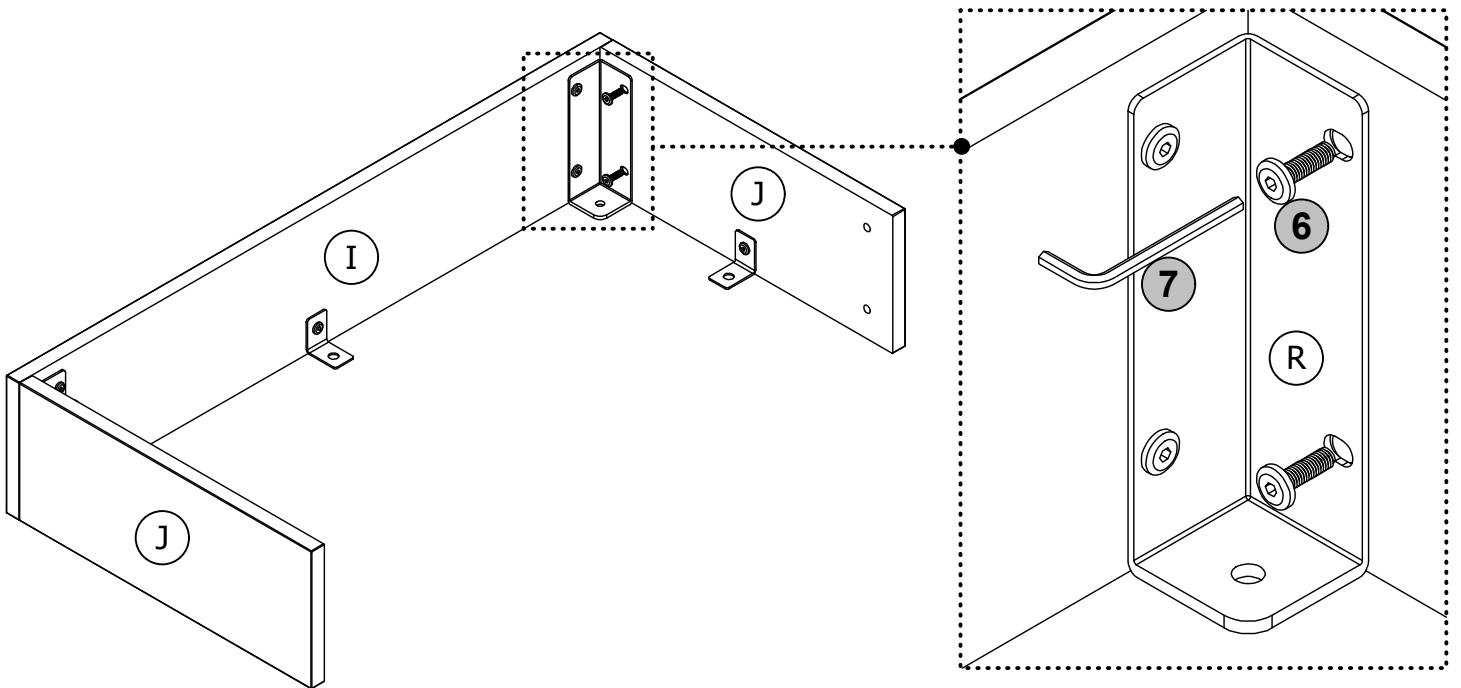
STEP 9:

Attach Brackets **R** x 4 to Ottoman's Plate **I** x 2 with Bolt **6**, as shown.



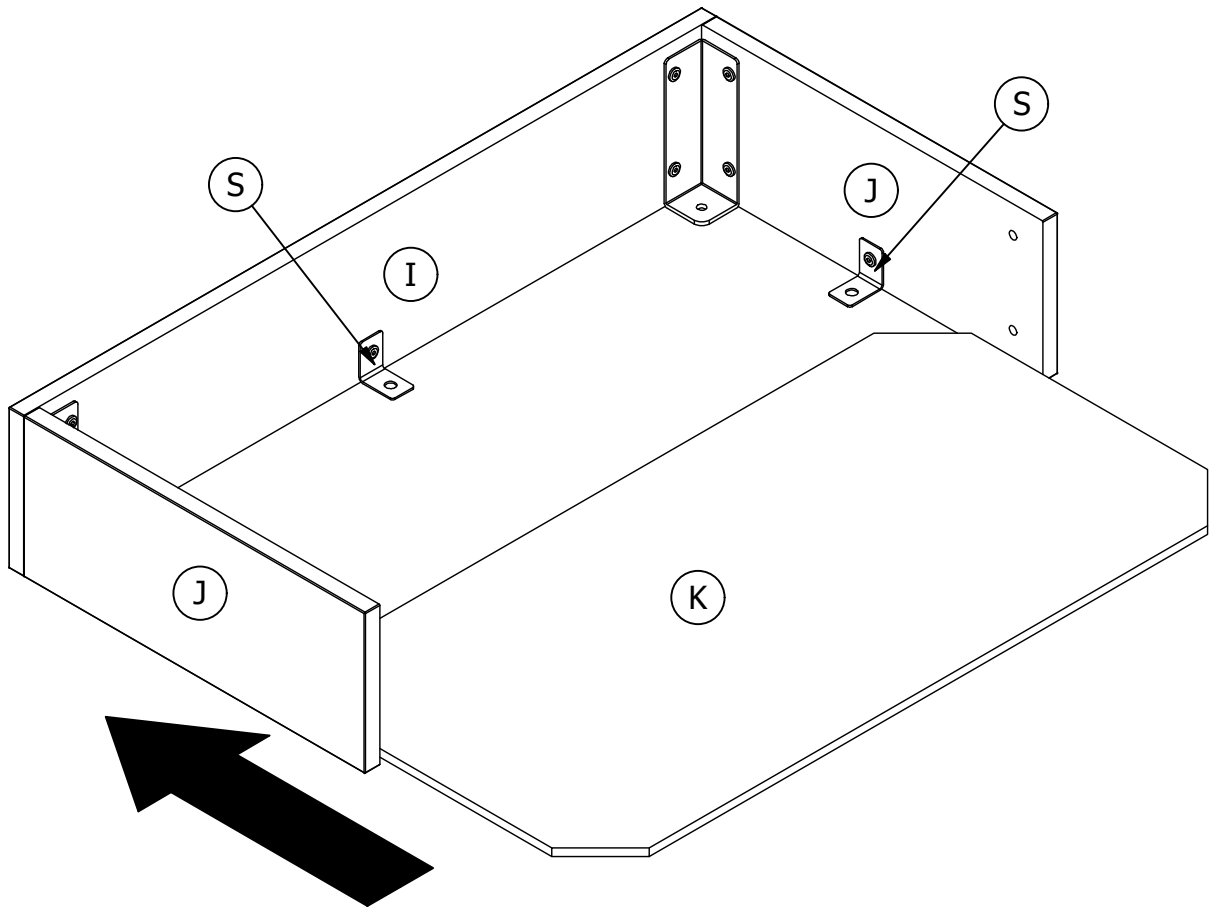
STEP 10:

Attach Ottoman's Plate **J** x 2 to Ottoman's Plate **I** with Bolt **6** using Brackets **R** x 2, as shown.



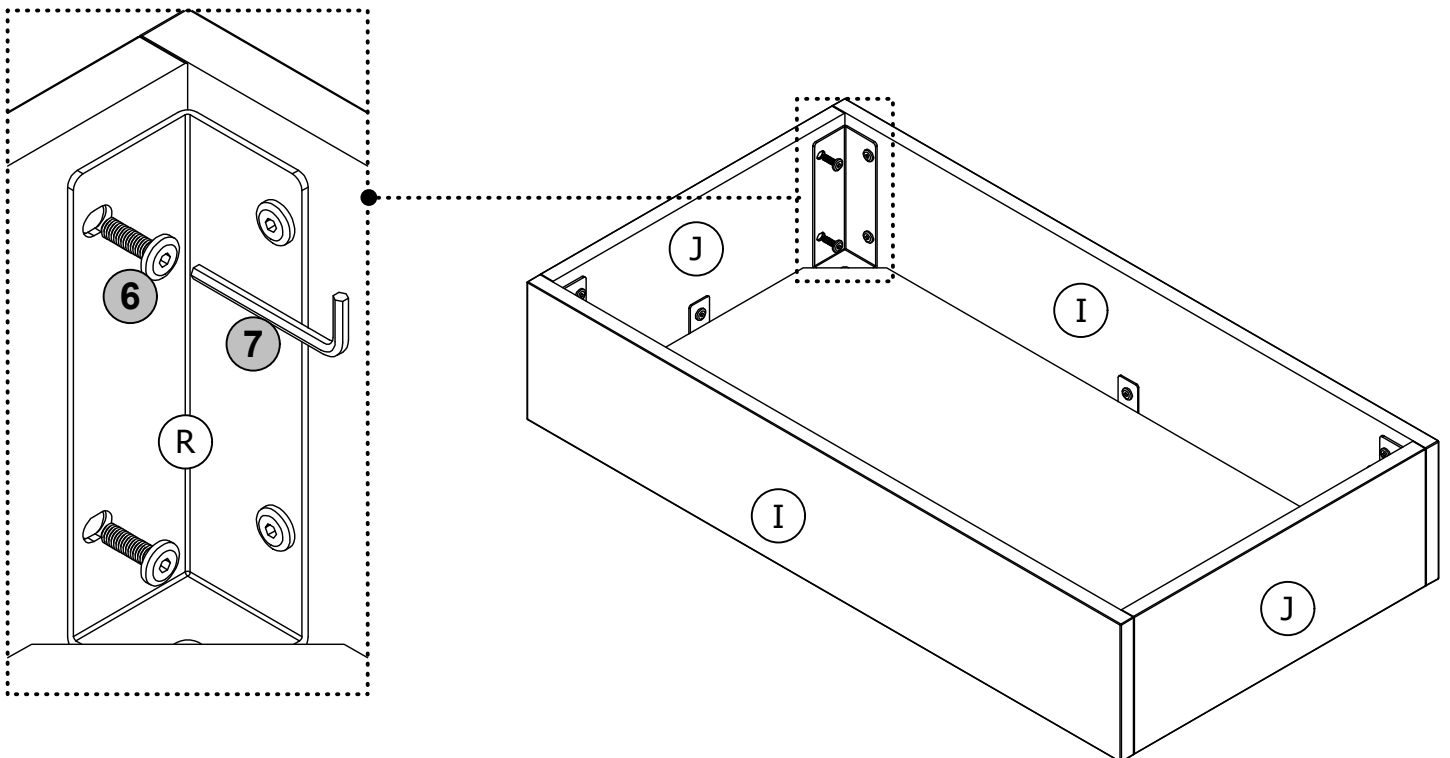
STEP 11:

Put Bottom Plate **K** into Ottoman using Connectors **S**, as shown.



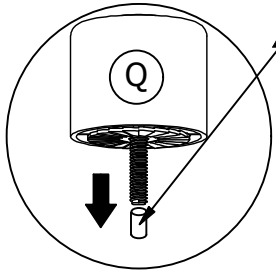
STEP 12:

Attach Ottoman's Plate **I** to Ottoman's Plate **J** x 2 with Bolt **6** using Brackets **R** x 2, as shown.

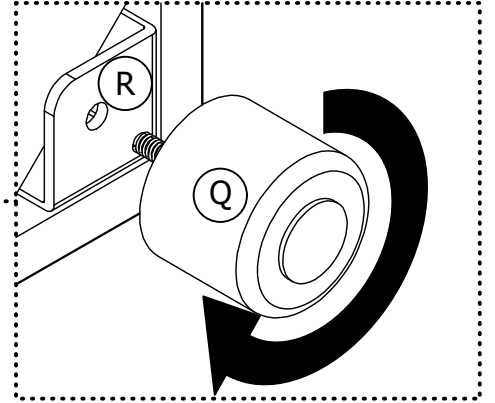
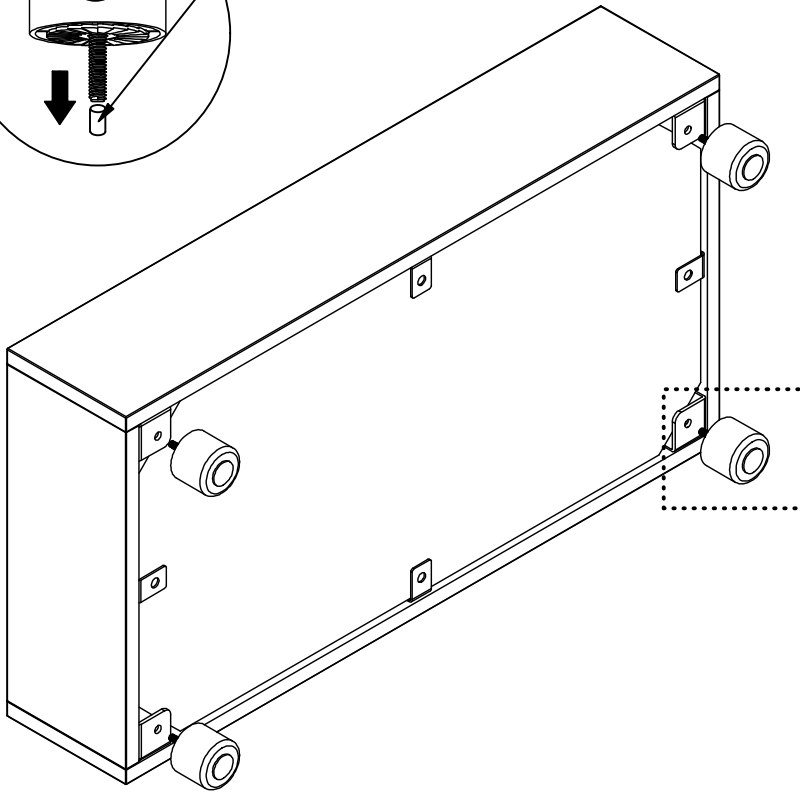


STEP 13:

Manually screw leg **Q** x 4 to Brackets **R** x 4, as shown.

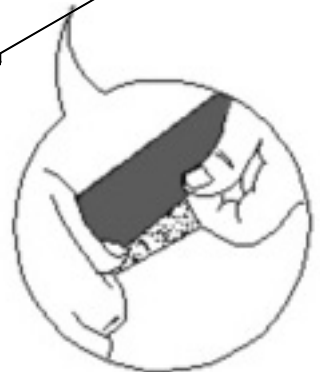
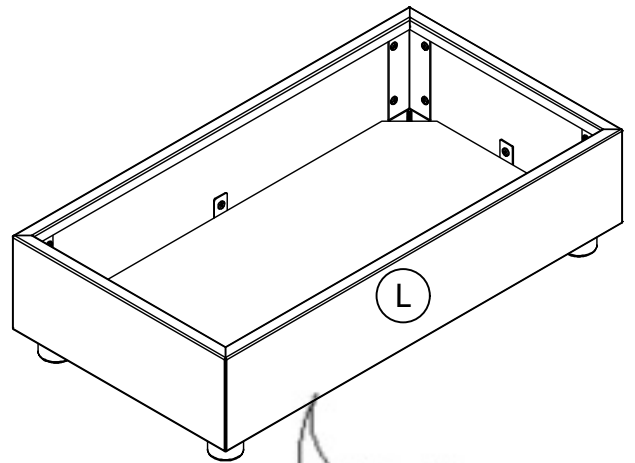
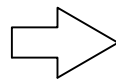
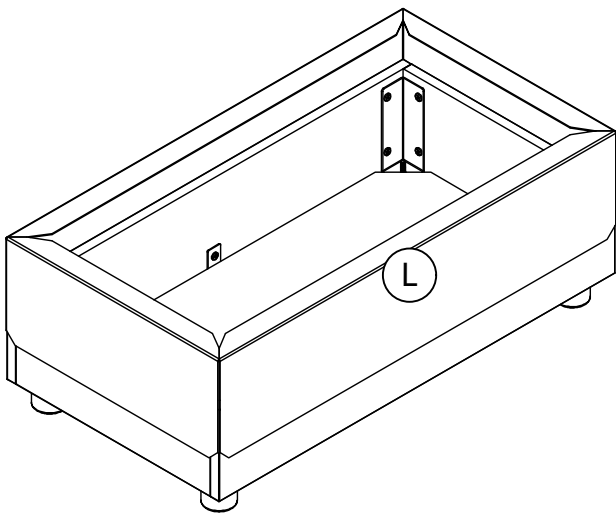


⚠ Please remove the protective cap on the tip of thread before assembling.



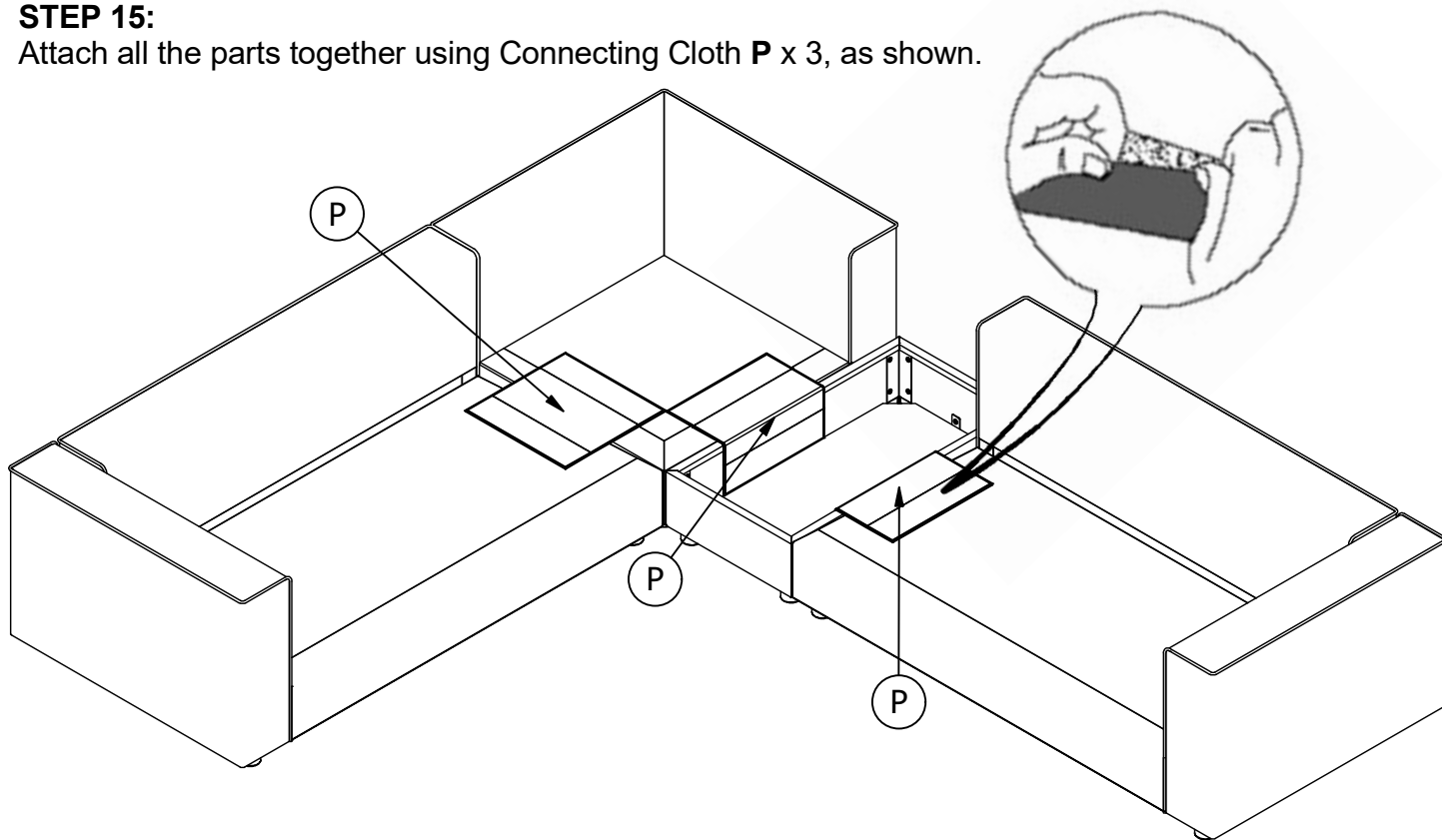
STEP 14:

Put Ottoman's Cover **L** on the Ottoman using the Velcro strips.



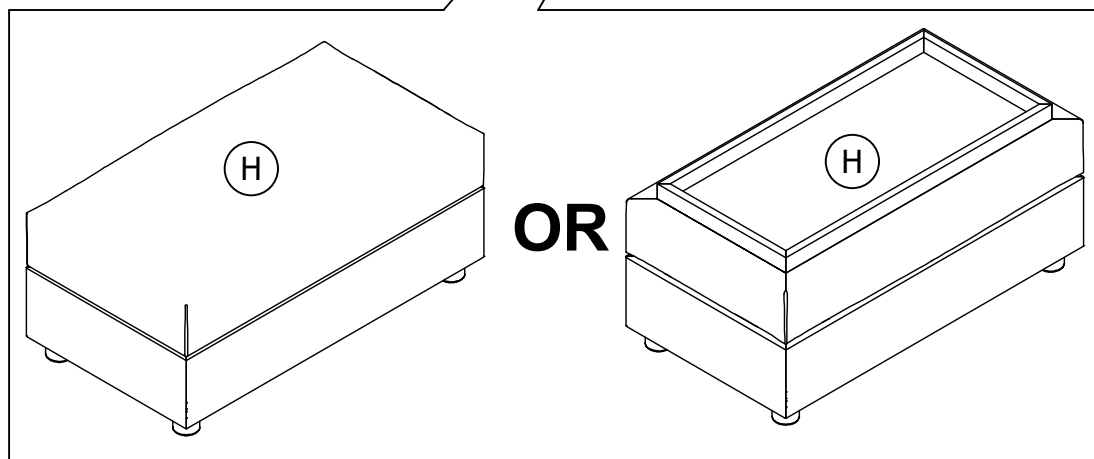
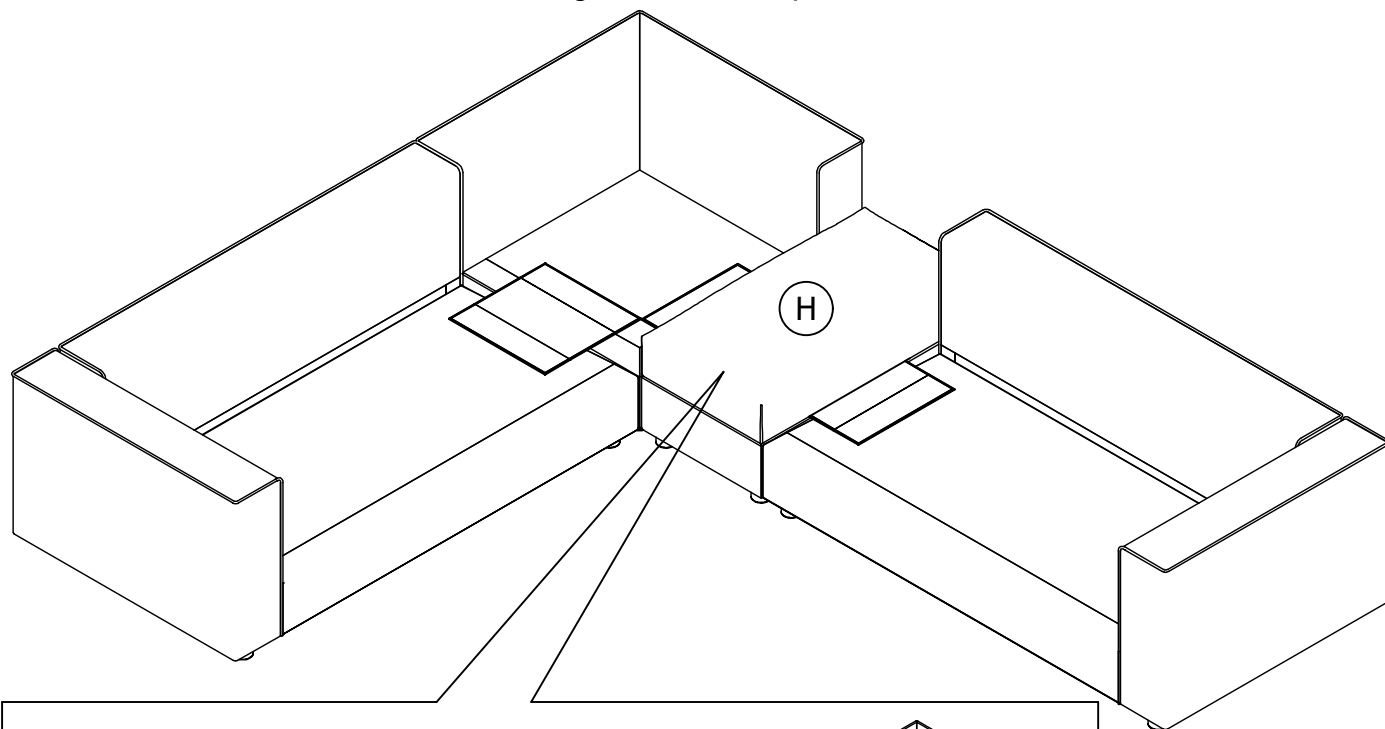
STEP 15:

Attach all the parts together using Connecting Cloth **P** x 3, as shown.



STEP 16:

Put Ottoman's Seat **H** on the Ottoman using the Velcro strips.

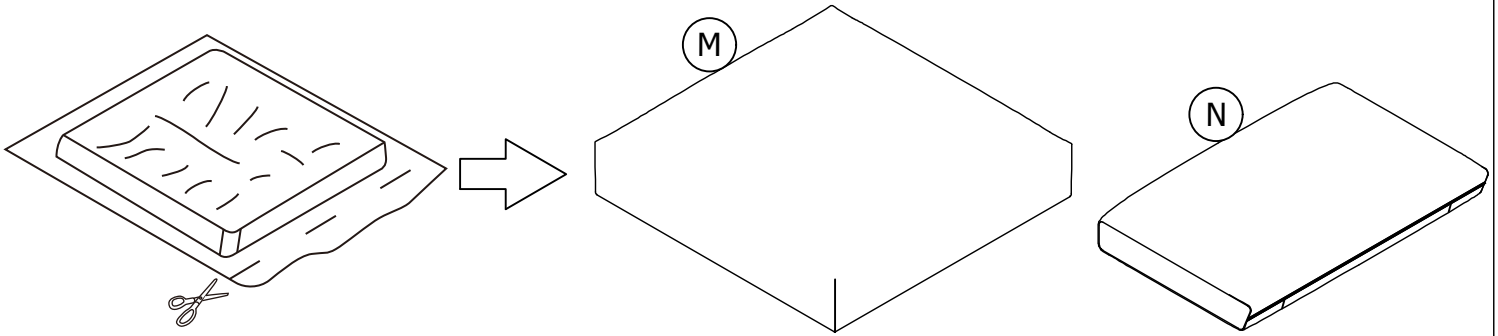


OR

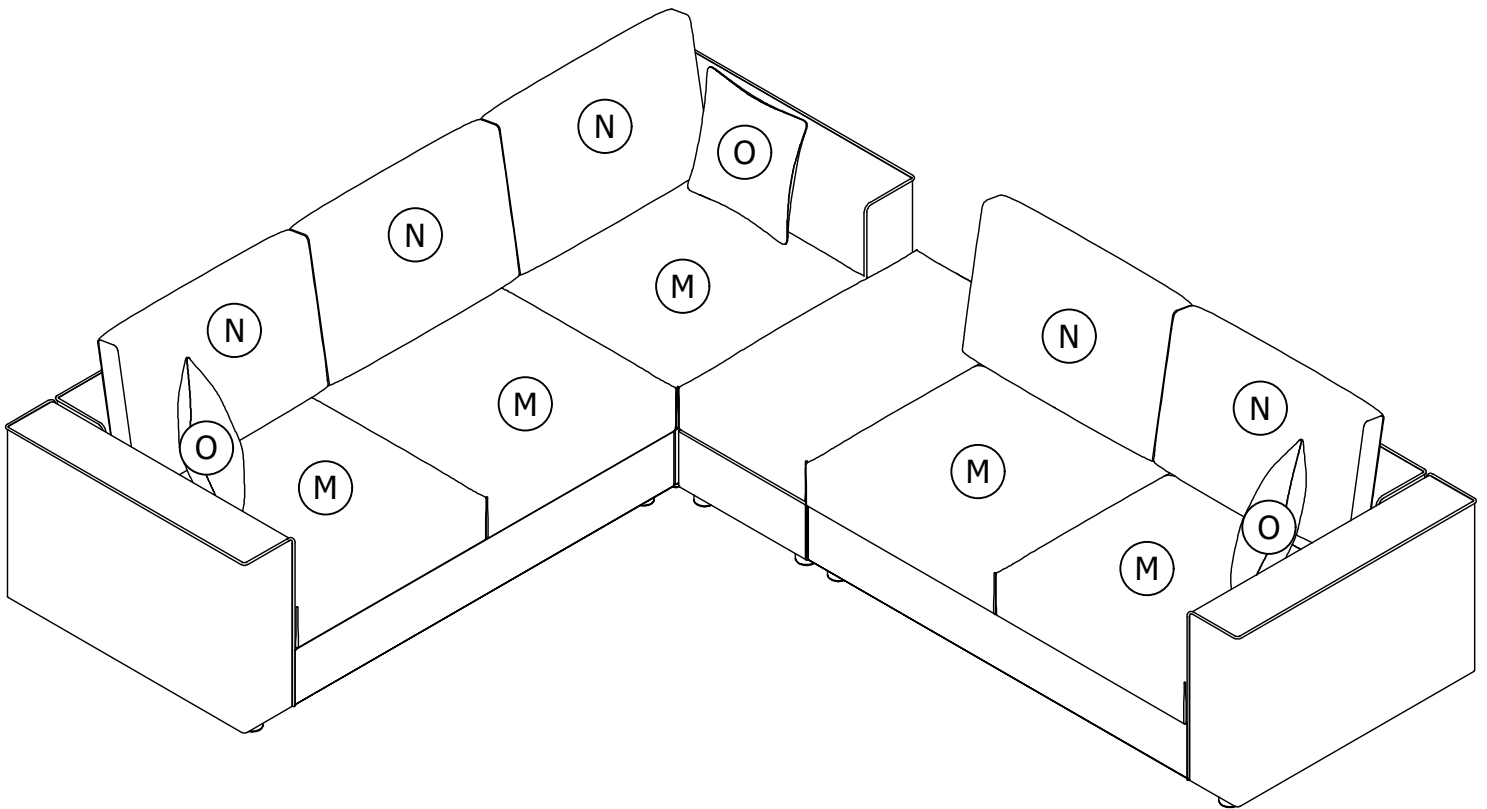
STEP 17:

Remove the cushion **M** & **N** from their vacuumed sealed package.

Place Seat Cushion **M** x 5, Back Cushion **N** x 5 and Pillow **O** x 3 onto the sofa, as shown.



▲ Note: The cushions have been vacuum packed for transportation purposes. After unpacking, please allow up to 72 hours so that they can return to their original shape.



Helpful Hints

- Move your new furniture carefully, with two people lifting and carrying the unit to its new location.
- Your furniture can be disassembled and reassembled to move.
- Clean the product with a soft damp cloth. DO NOT use harsh chemicals or abrasive cleaners.
- For further information please contact at sales4@jsanyee.com

