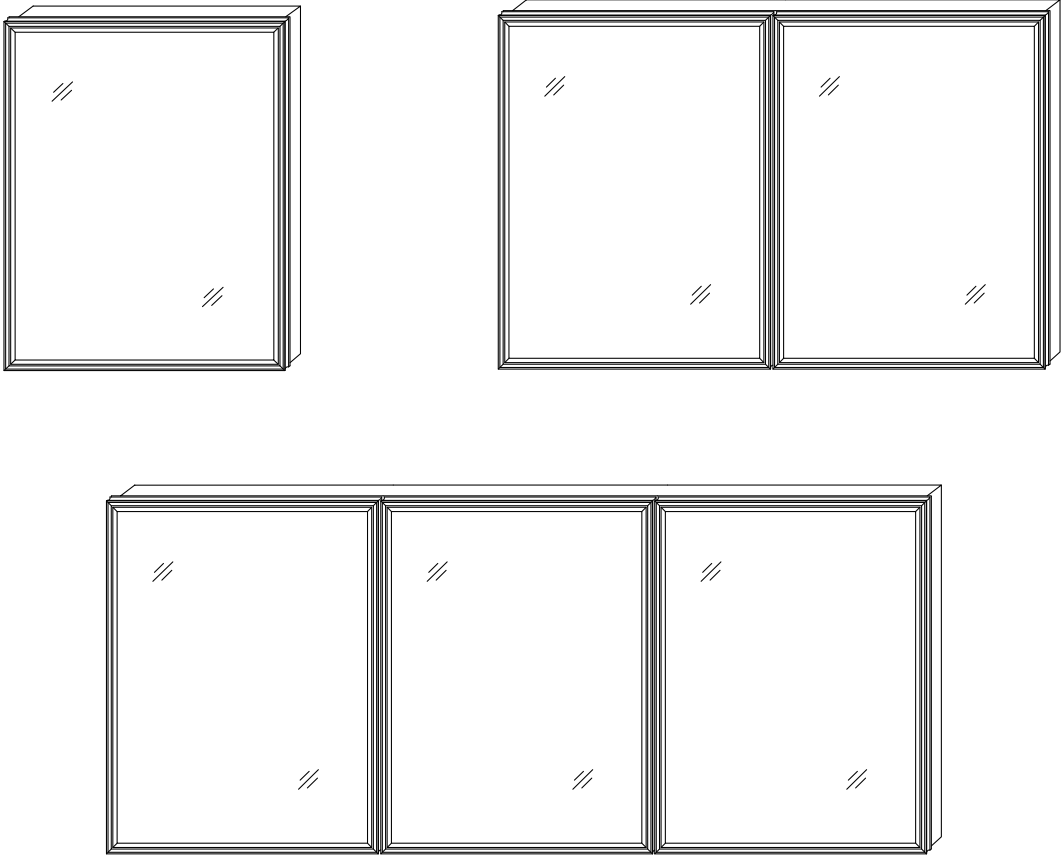


MEDICINE CABINET



INSTALLATION INSTRUCTION

Please read this instruction carefully before the installation and keep it for the future use and the warranty.

General Guidelines

1. Please carefully read the following instructions and use the product accordingly.
 2. Keep this manual and pass it on when transferring the product.
 3. This summary may not include every detail of all variations and considered steps.
- If you need further information or assistance, please feel free to contact us at our official email address:

Warnings

1. Children are not allowed to assemble the product. During assembly, please ensure that small parts are kept out of the reach of children, as they may pose a choking hazard if swallowed or inhaled.
2. Keep plastic packing bags out of reach of children to prevent suffocation or other potential dangers.
3. Avoid using sharp objects or corrosive chemicals on the product, as they can cause damage to both the product and the user.

Use Tips

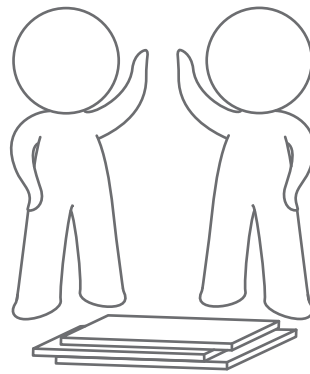
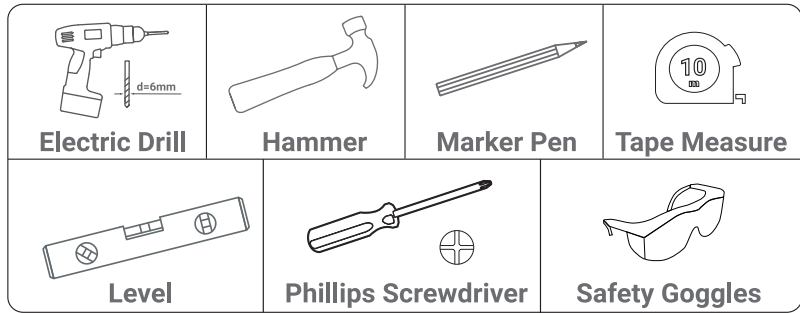
1. Please use in safe voltage range. (100V-120V)
2. Do not strike the mirror with hard or pointed items.
3. **WARNING:** The installation must be performed by a qualified licensed electrician.

 **DANGER:** Before installation, make sure the main power is cut off.

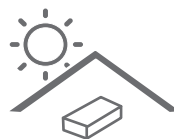
ATTENTION



Not Offering



KEEP DRY

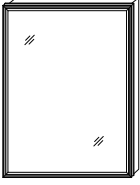

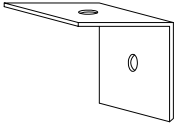
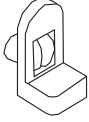
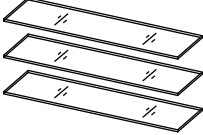


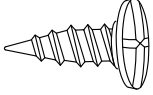


NO SUN EXPOSURE



SOFT DRY CLOTH

PARTS LIST

 <p>Medicine Cabinet x 1</p>	 <p>Bracket x 1</p>	 <p>Side Panel x 1</p>	 <p>Shelf Clip x 4</p>
 <p>Glass shelf x 3</p>	 <p>1/4" (φ6*40mm) A x (4+1+1)</p>	 <p>5/32" (φ4*40mm) B x (4+1+1)</p>	 <p>(φ4*8mm) C x (1+1)</p>

BEFORE INSTALLATION

- For safety and ease of mounting, installation is recommended using two people.
- Please confirm the installation position and installation height of the hang bracket supplied, and use a spirit level to make sure the bracket be leveled.
- Then mark the hole positions on the wall.

METHOD 1: FOR HANGING WALLS

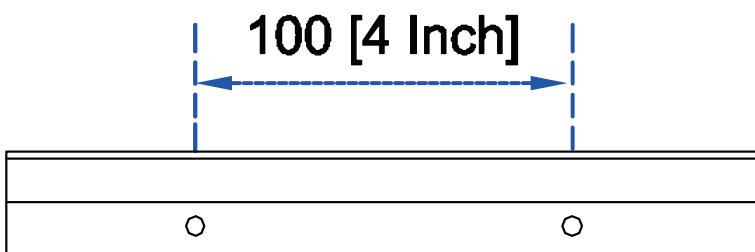
Method 1.1 : For Solid or Concrete Walls.

(Please refer to step 1 to step 3、 6、 7, P7-P8, P14.)

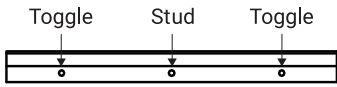
METHOD 2: FOR RECESSED

(Please refer to step 4 to step 7, P9-P14.)

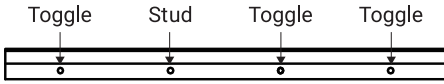
*The spacing between each two holes is 4 in (100mm).



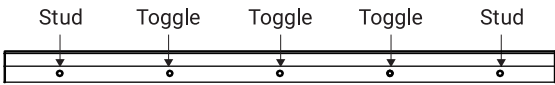
ILLUSTRATIVE GRAPH



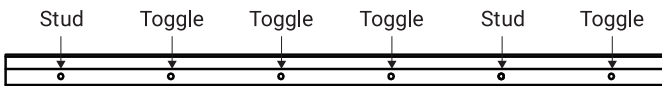
"Left Skewed Installation"



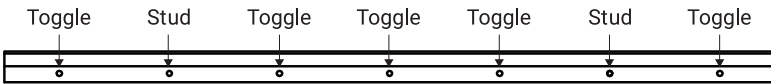
"Left Skewed Installation"



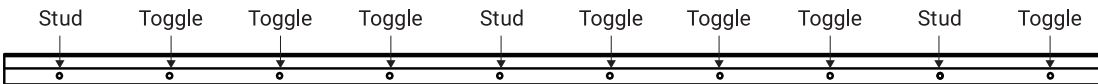
"Centered Installation"



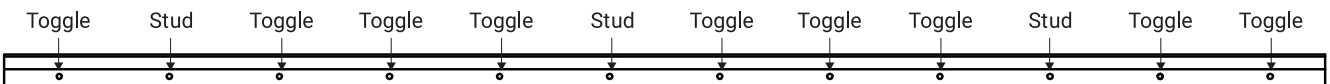
"Left Skewed Installation"



"Centered Installation"

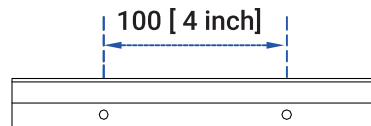


"Left Skewed Installation"



"Left Skewed Installation"

*The spacing between each two holes is 4 in (100mm).



- If walls are stud or dry Wall, or use toggle anchor please consult a licensed contractor and your local hardware store for assistance.

- Using the electronic stud finder and mark stud locations using the pencil.

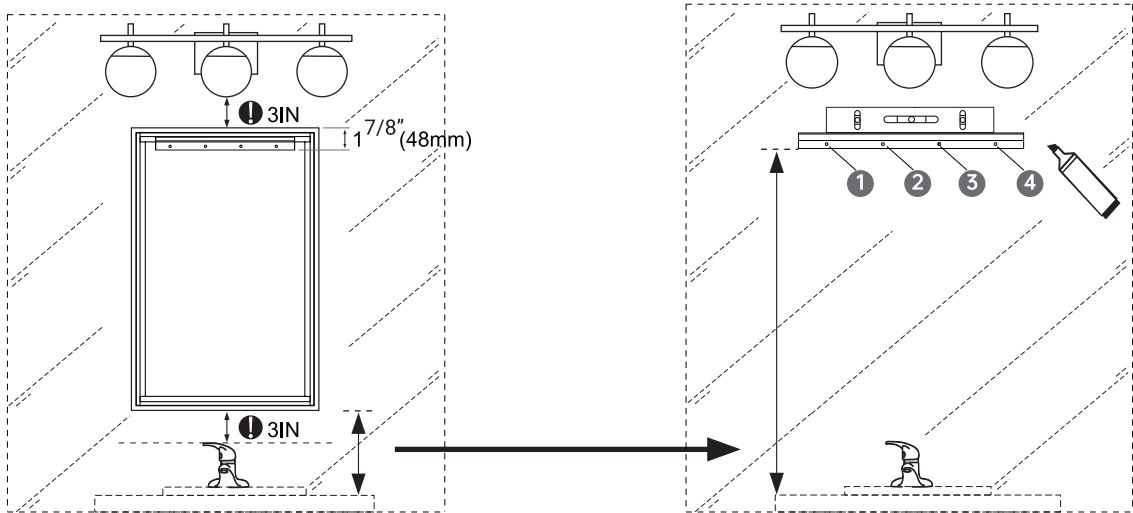
(Note: It is best to mount the bracket to at least (1) stud, using the illustrative graph shown below for reference. Wood studs are typically located every 16", on center.)

METHOD 1: FOR HANGING WALLS

Method 1.1 : For Solid or Concrete Walls.

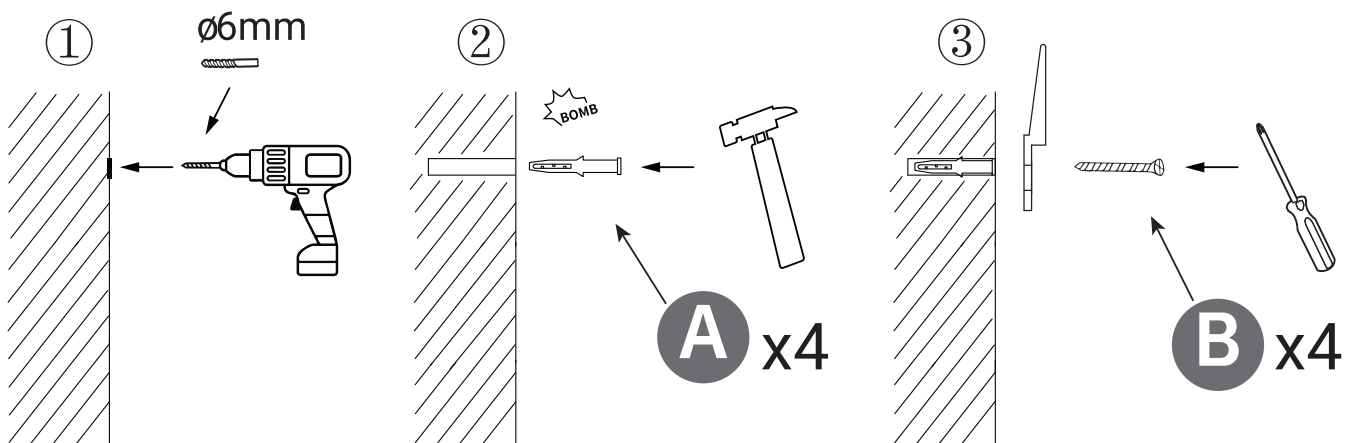
1 ATTENTION

- The distance between the bottom of bracket to the top of the mirror is $1\frac{7}{8}$ " inch(48mm).
- The recommended installation safety distance is 3 inch(at least) from the faucet.

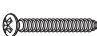


2

Use a $\frac{1}{4}$ " (6mm) drill to drill holes at the marked points to a depth of $\frac{13}{4}$ " (45mm), then apply the wall anchors with a hammer. Mount the lower bracket to the wall with screws.



A  4 PCS

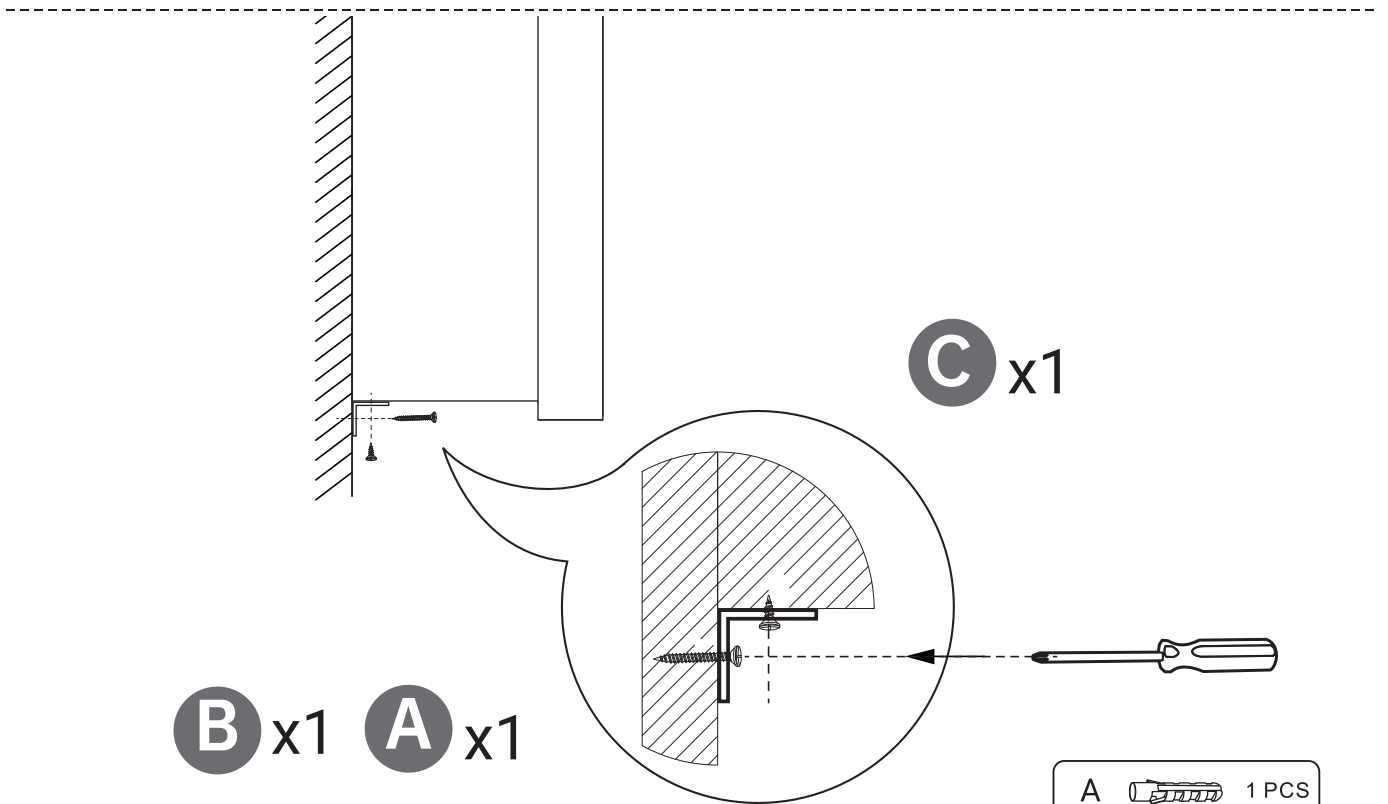
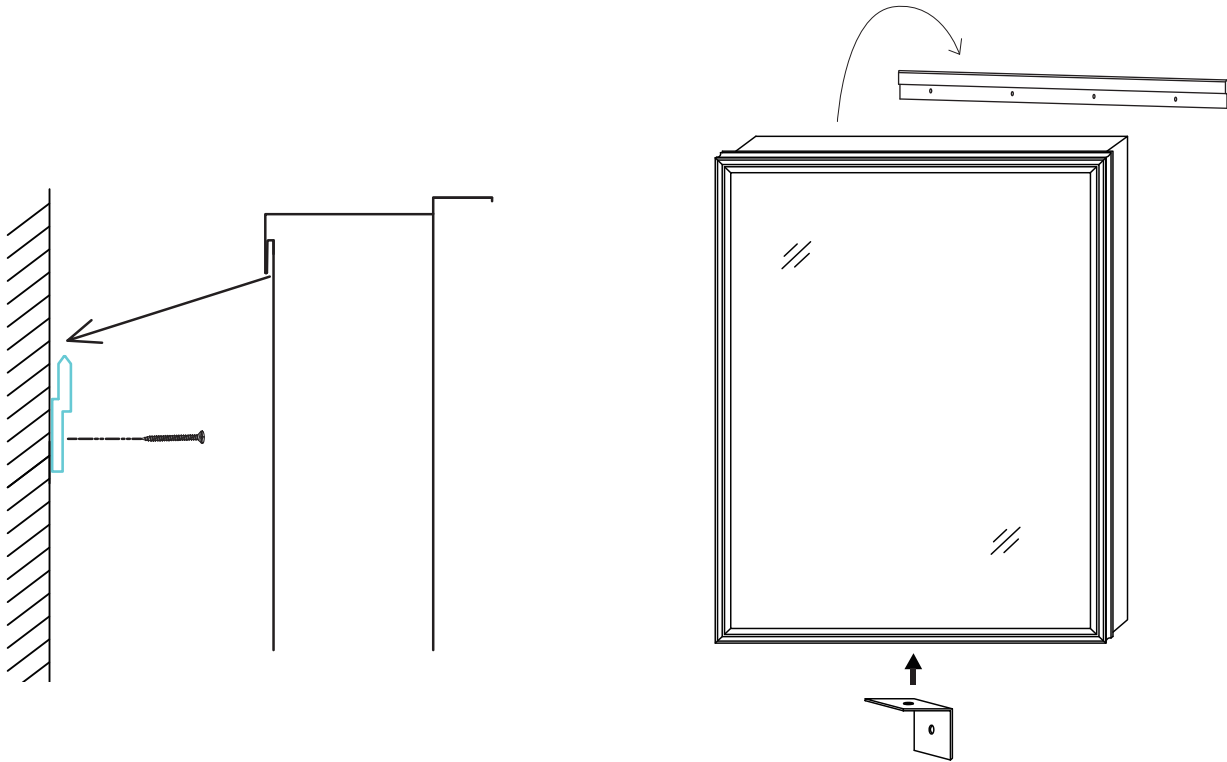
B  4 PCS



Note: Please wear goggles and pay attention on your safety.

3

Lift the medicine cabinet and place it securely in the upper bracket. Holding the cabinet in an upright position, secure the lower bracket in the grooves on the bottom of the cabinet.



Note: Gently shake the mirror to ensure that the mirror is securely installed.

A  1 PCS

B  1 PCS

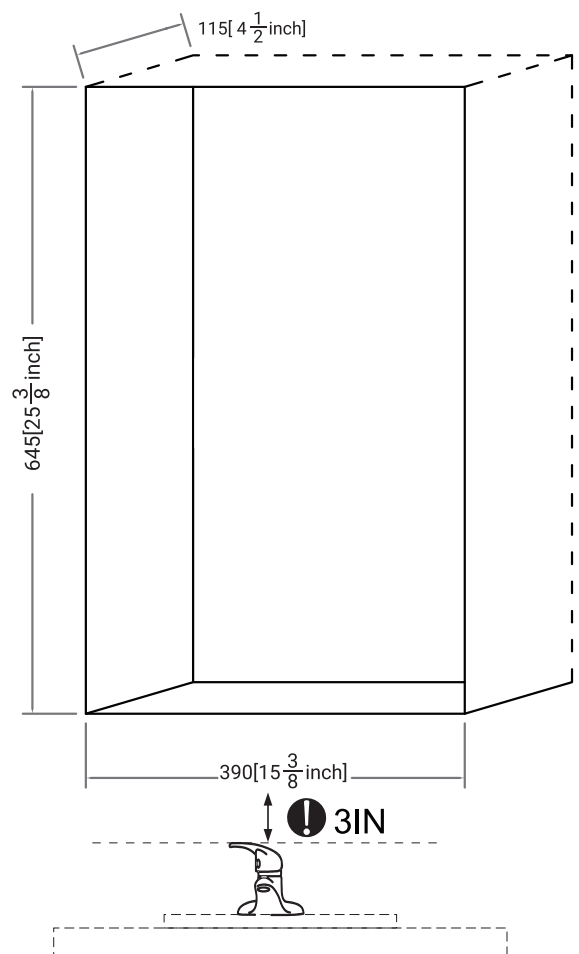
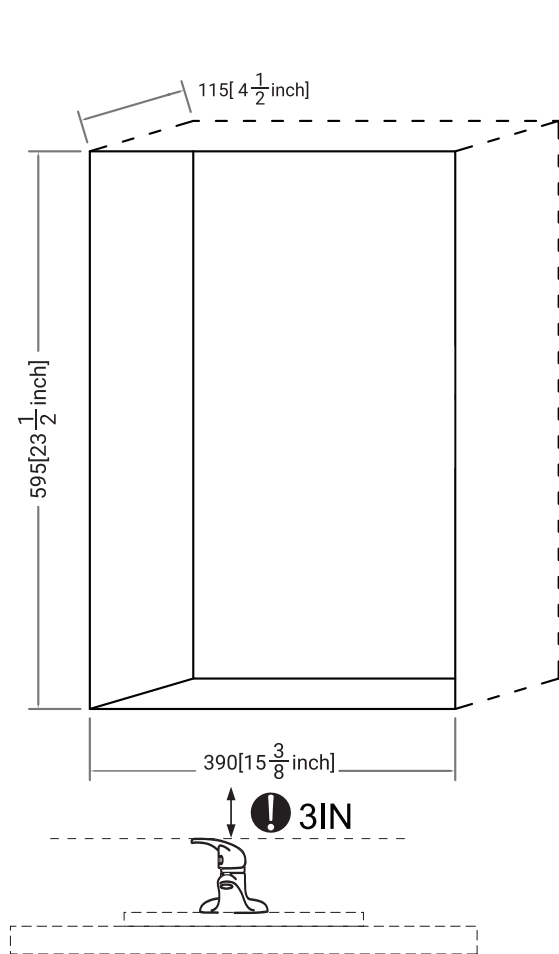
C  1 PCS

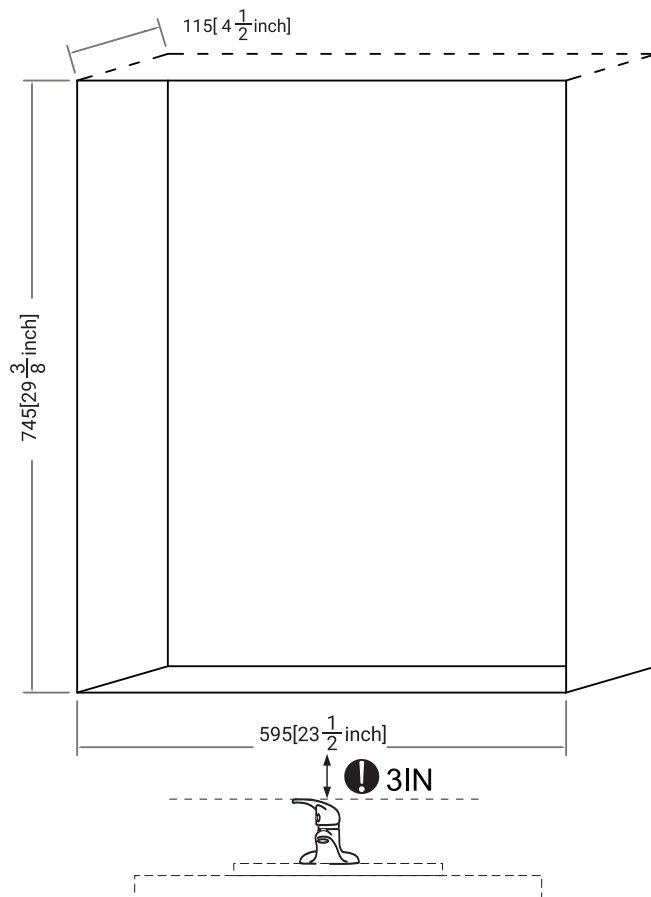
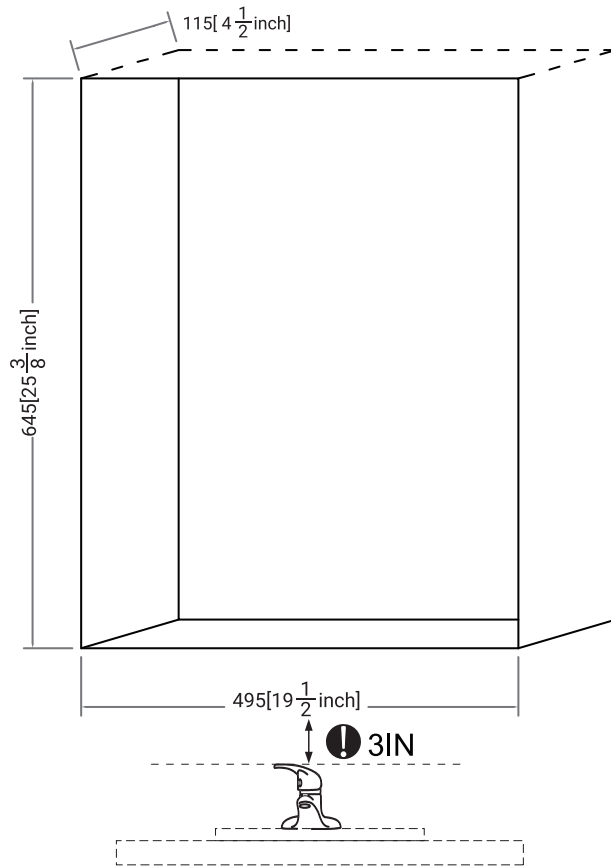
METHOD 2: FOR RECESSED

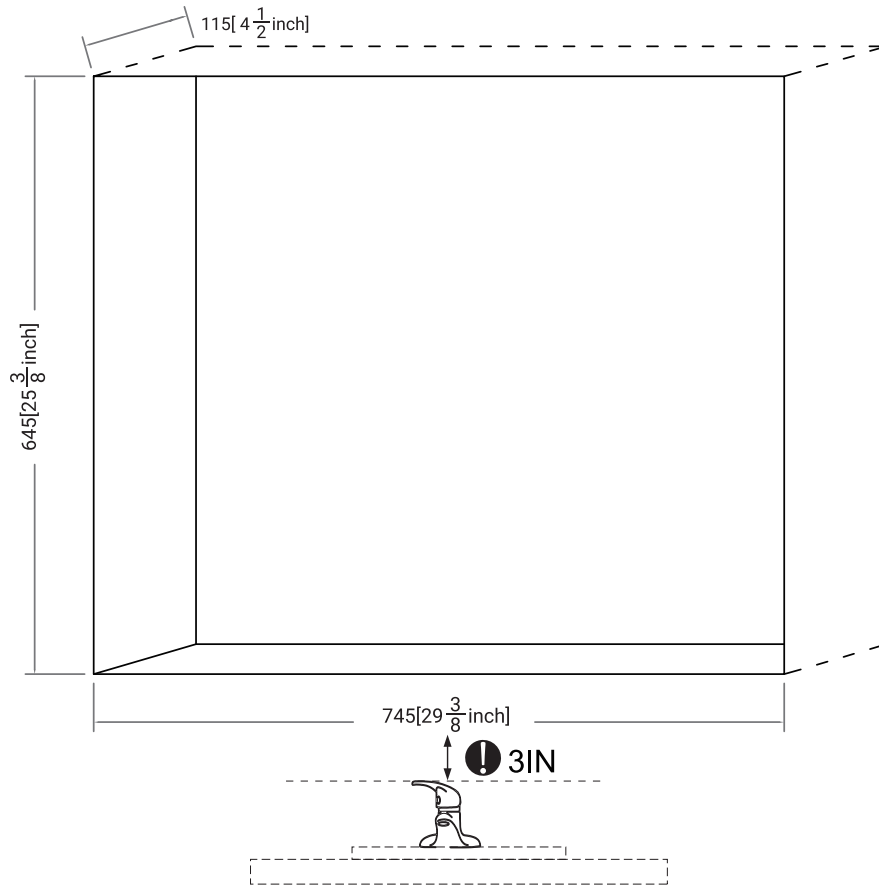
4

The wall space is set aside in advance based on the size of the recessed led medicine cabinet

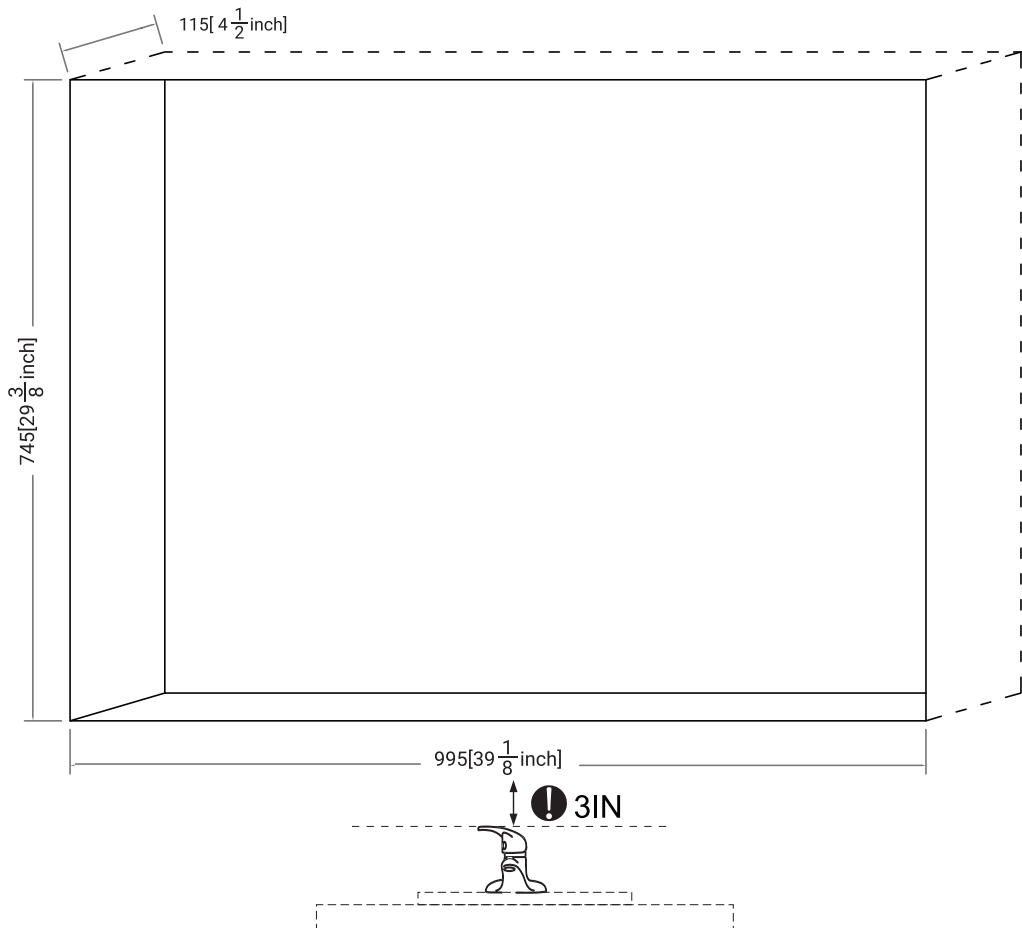
Single door

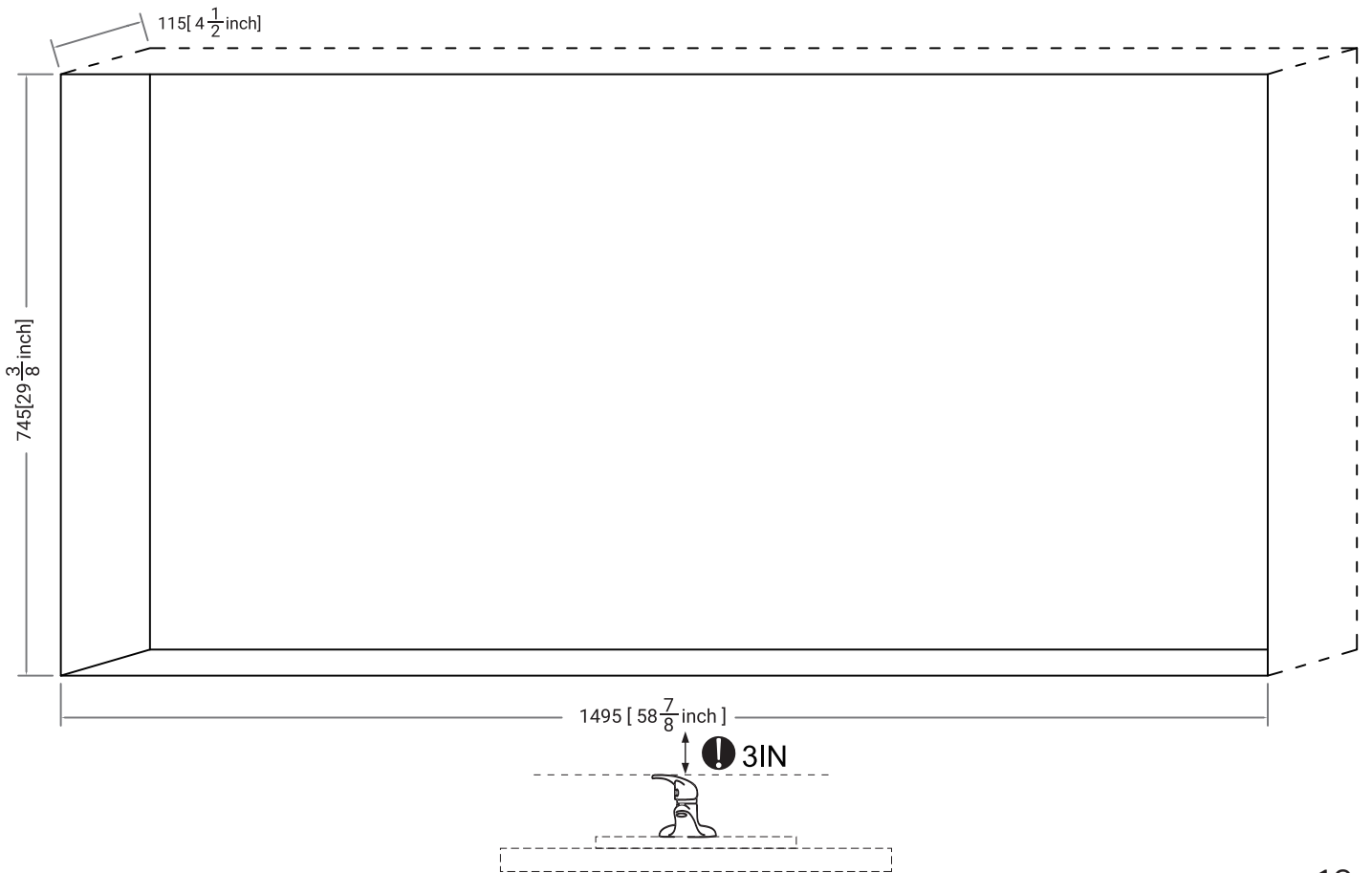
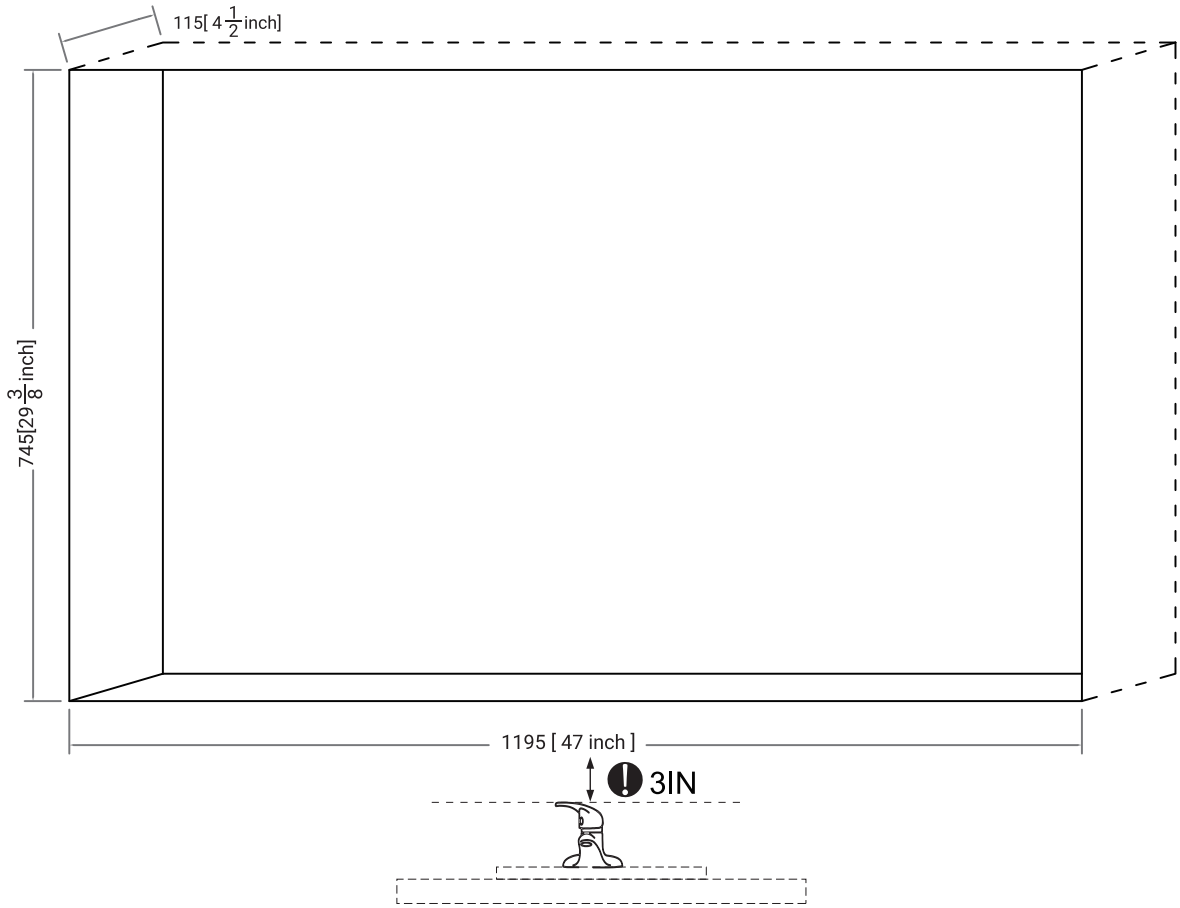


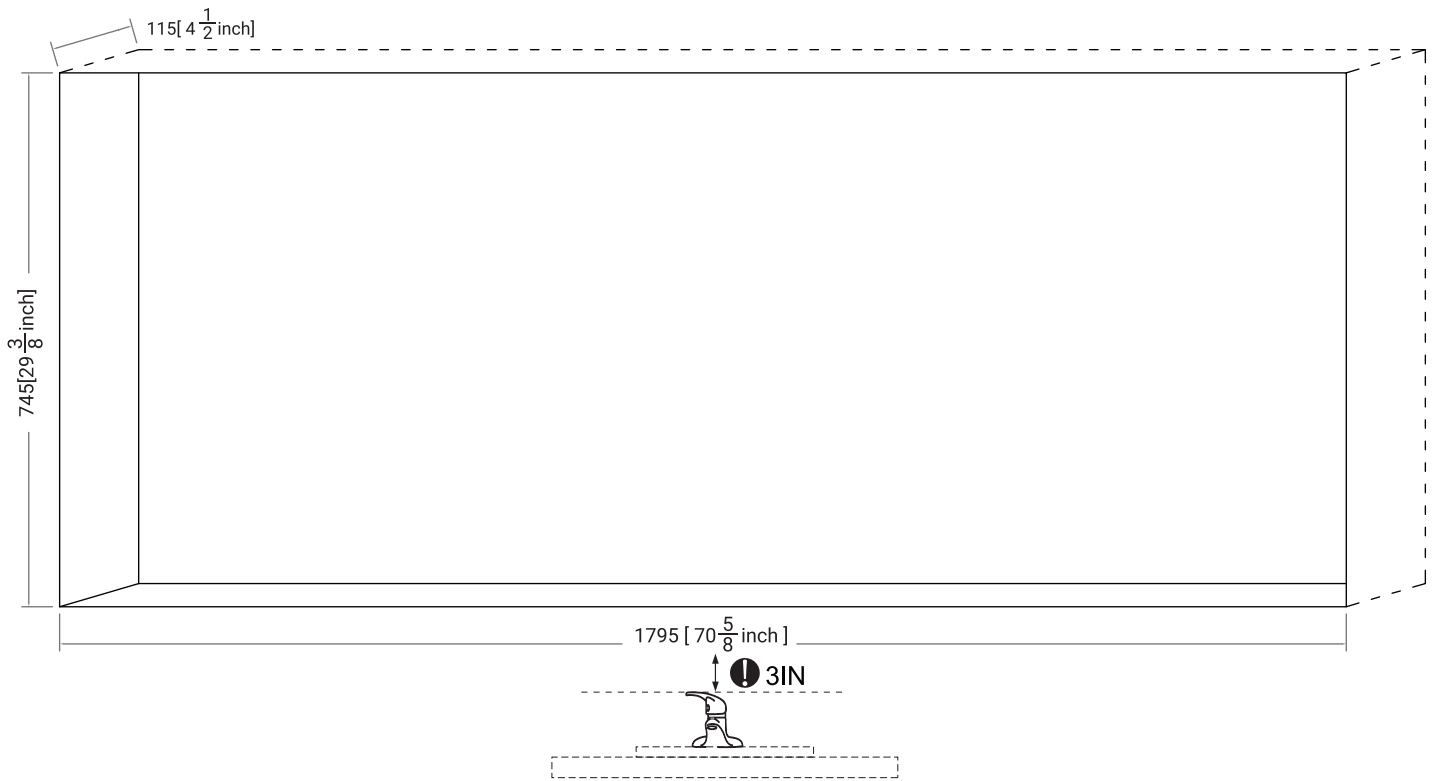




Double door

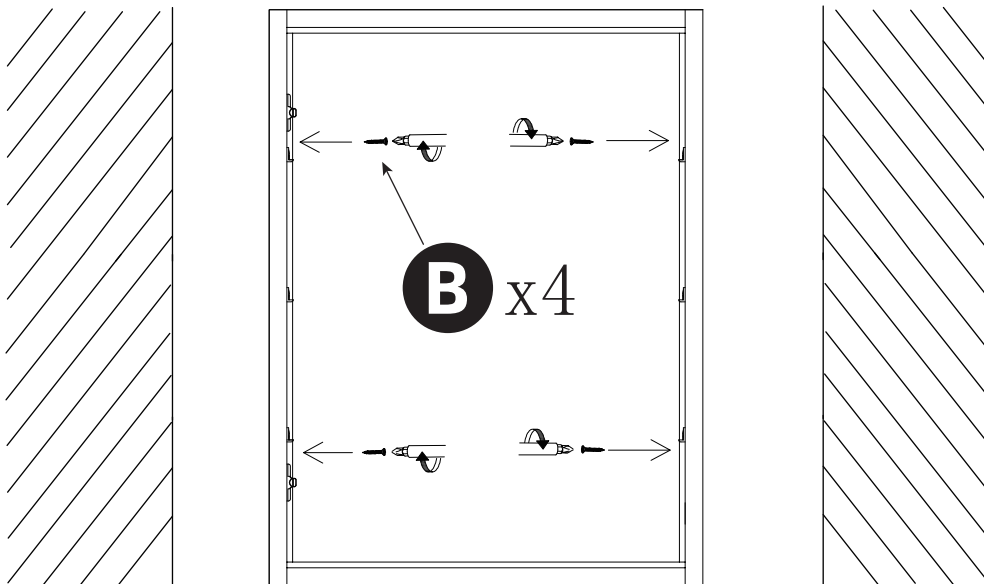




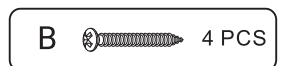


5

Install the recessed led medicine cabinet.

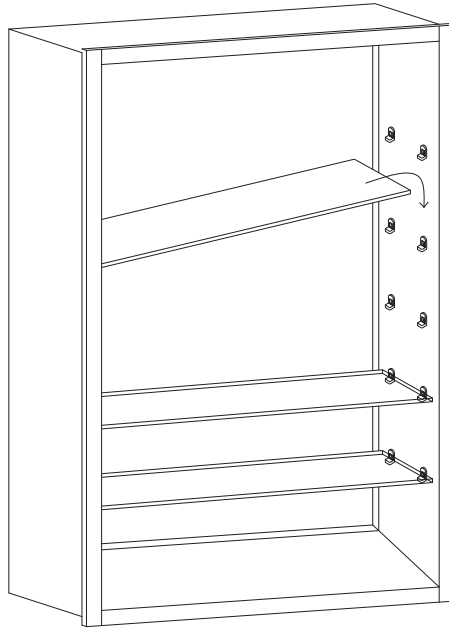


Note: Gently shake the mirror to ensure that the mirror is securely installed.



6

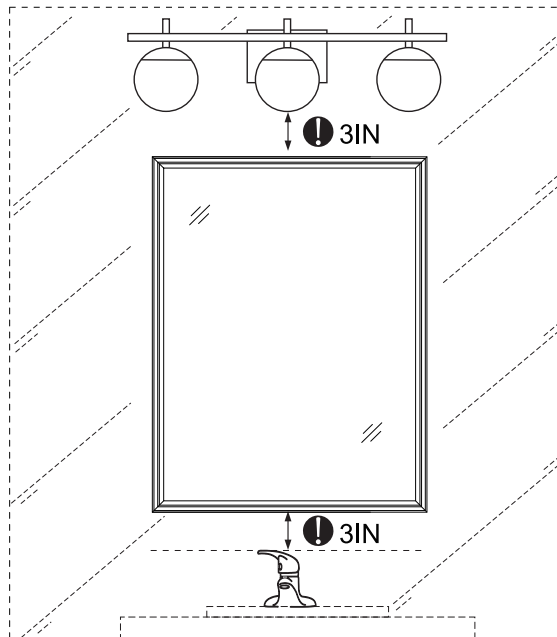
Insert the tempered glass shelves



Note: The glass shelves varies according to the height of the product.

7

The installation has completed!

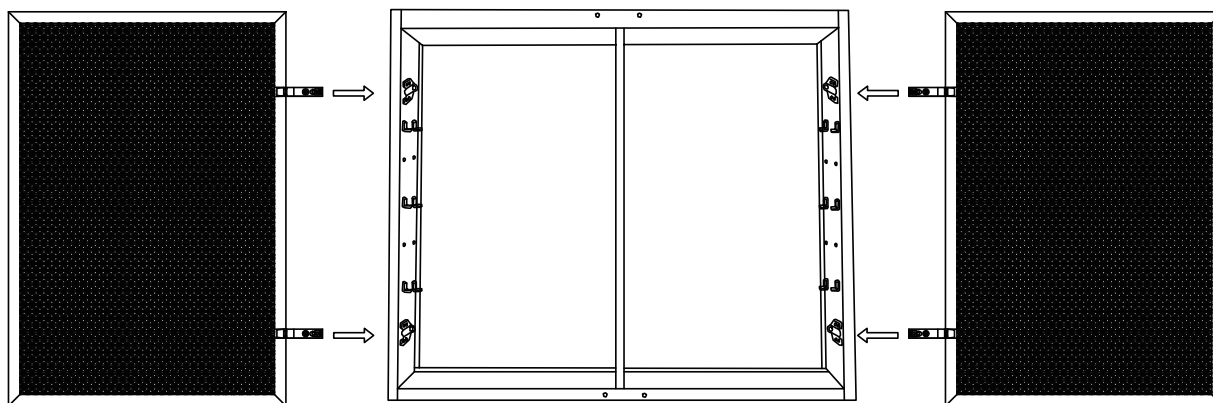


Congratulations!

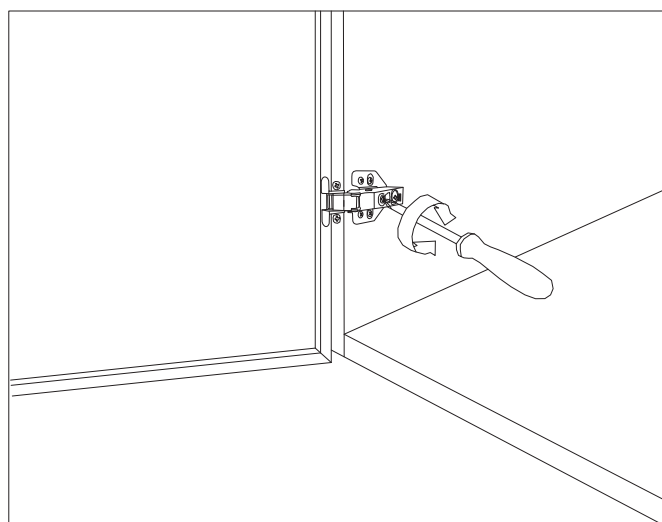
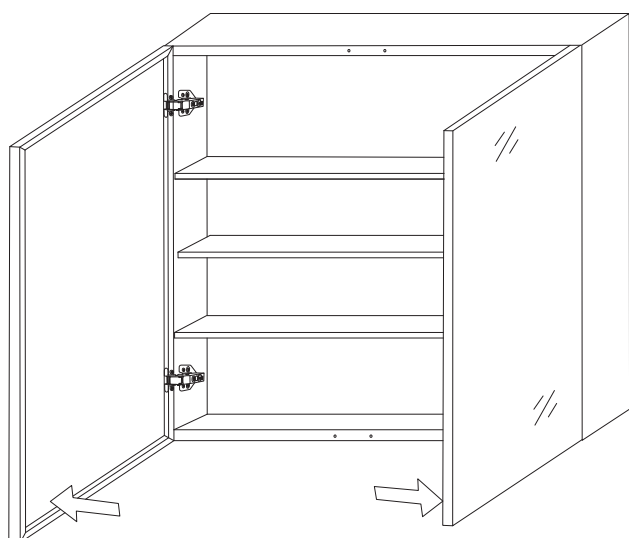
Cabinet Door Installation

*Taking MCBB4030 as an example.

1. Insert the hinges to the base, then connect the doors with the cabinet.



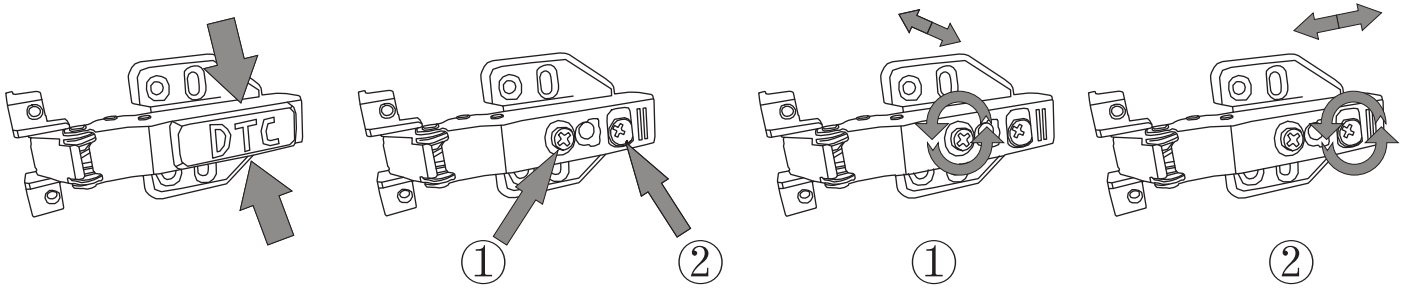
2. If necessary, adjust corresponding screws on the hinge to align the doors, ensure that gaps are even and the doors open and close smoothly.



HYDRAULIC HINGE ADJUSTMENT METHOD

Open the "DTC" cover in the direction of the arrow.

- ①: Adjust the door counterclockwise to move to the right,
Turn clockwise to adjust the door to move to the left.
- ②: Twist counterclockwise to loosen it, You can adjust the front and rear direction of the door.
Tighten clockwise after adjustment.



Note: Since this product has multiple DTC hinges in the cabinet, if you need to adjust the relative position of the cabinet door up and down, left and right, please adjust the hinges for better use of this product.