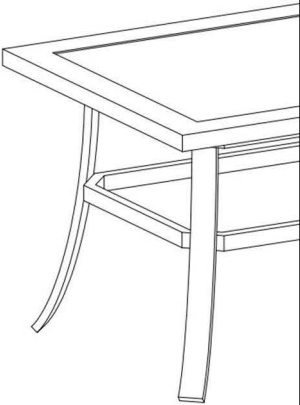


Owner Manual



WARRANTY

WE STRIVE TO OFFER HIGH-QUALITY PRODUCT AND WE ALSO TRY OUR BEST TO SATISFY EACH CUSTOMER THAT ORDERS FROM US WITH PRODUCT OR SERVICE AS NEEDED. EACH CUSTOMER RECEIVES A RECORD OF THEIR ORDER, SUCH AS THE ORDER NUMBER OR ITEM RECEIPT. FOR ANY ITEMS THAT ARE OUT OF THE WARRANTY PERIOD, YOU MAY STILL RECEIVE REPLACEMENT PARTS BY PURCHASING THEM FROM OUR COMPANY IF THEY ARE AVAILABLE.



MAINTENANCE AND WARNING

Please read the manual thoroughly before you start install.

Please always use proper tools for installment.

Packaging and small parts may have chocking hazard, please keep them away from children and pets.

Please clean the product with dry clean cloth, some of the parts may be able to wash directly. Check with the product description!

Please keep the product away from fire.

Please keep the product away from sharp objects.

IF the product is placed under direct sunlight, the pattern or color might fade away.

Do not jump on the product.

Check the product periodically to make sure everything is tightened.

If you have any questions else, please contact us, we will be glad to help you out.



Around 45 min

PRODUCT DESCRIPTION

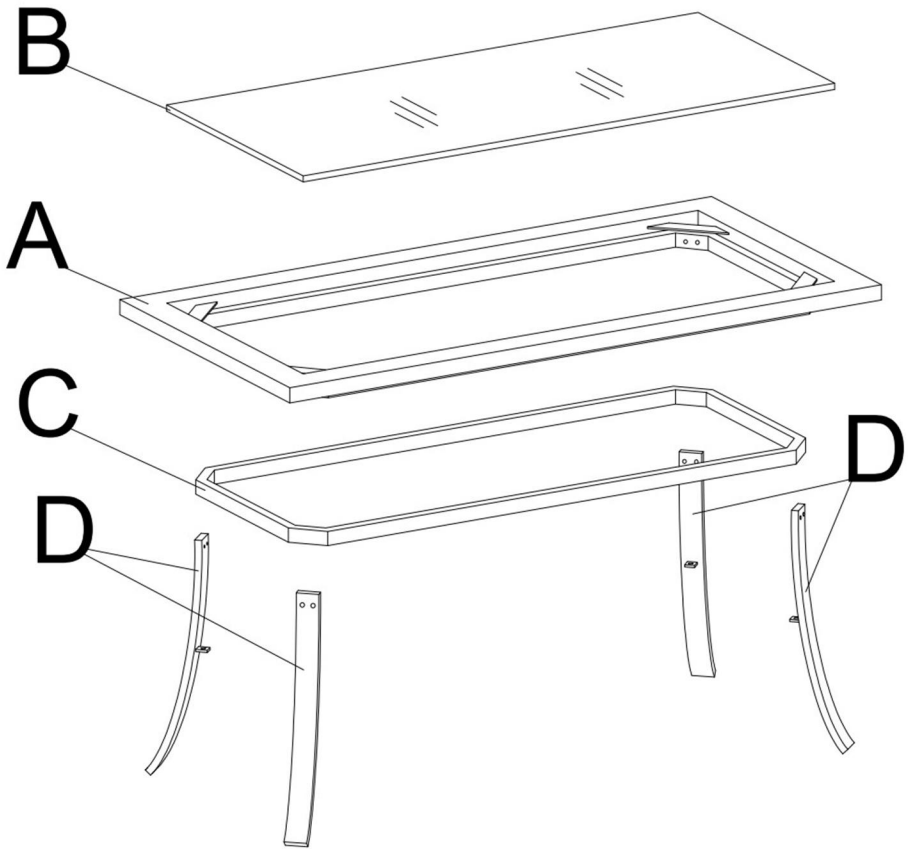
This classic outdoor coffee table brings some elegance to your patio or garden.

The table features a rectangular top made from weathered steel-inspired plastic resin, and it sits on a black and brown powder-coated steel base, ensuring its resistance to weather, water, UV rays, rust, and scratches.

With its 100 lbs. weight capacity, this table is perfect for holding your favorite drinks, snacks, and outdoor accessories.

This coffee table adds a timeless touch to your outdoor space without compromising on functionality.

EXPLODED VIEW



PARTS

A*1

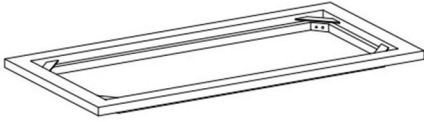
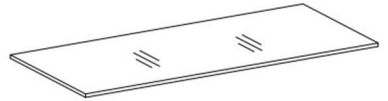


Table frame

B*1



Tabletop

C*1



iron frame

D*4



Legs

HARDWARE

TOOL LIST

①*8



②*4



③*12



④*1



★ M6*25mm ★ M6*15mm ★ Flat washer

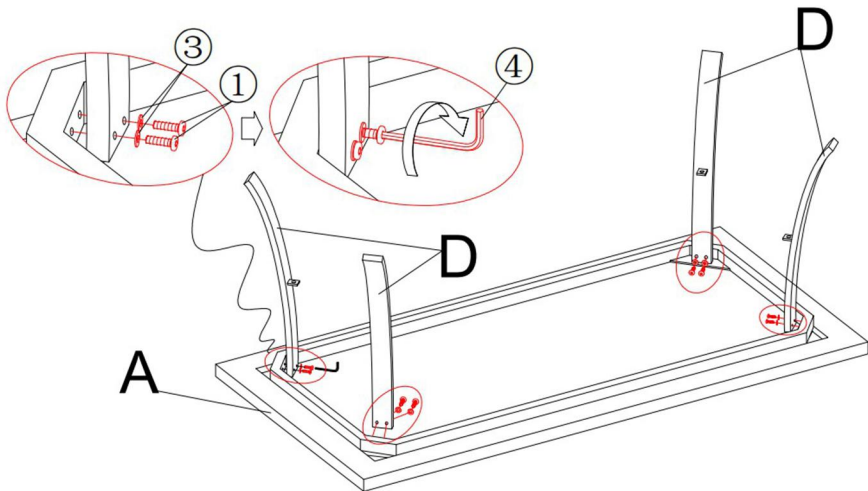
Allen key

PLEASE MAKE SURE ALL
HARDWARE&PACKING
MATERIAL FITTING THE LIST.
ESPECIALLY SOME SMALL
ACCESSORIES MAY BE MISSING
DURING TRANSPORTATION.
PLEASE CONTACT US
IF YOU HAVE ANY QUESTION.

NOTE: Designated with (★) We provide additional spare parts in the hardware package

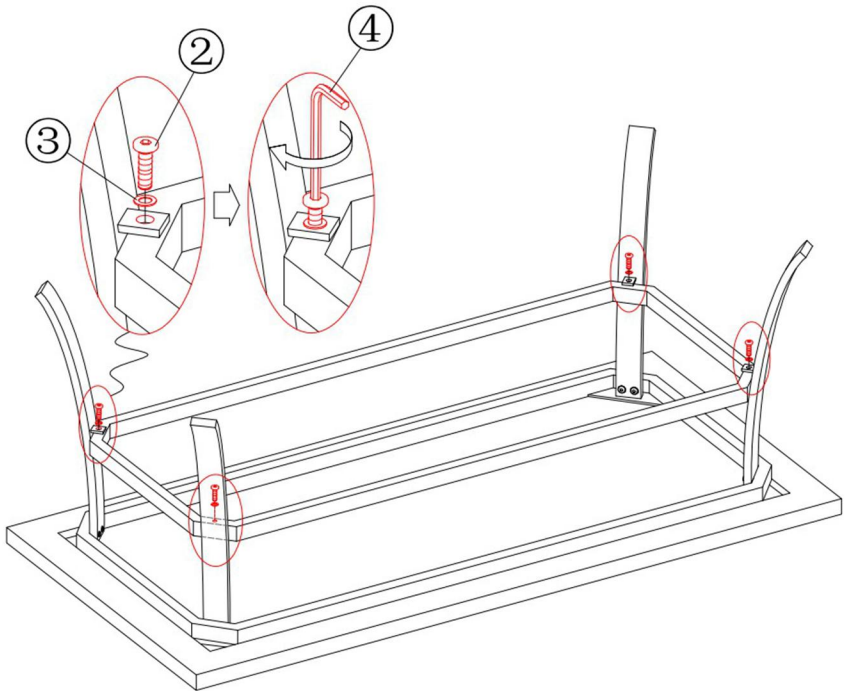
step 1

INSTALL ALL FOUR LEGS (D) ONTO THE TABLE FRAME (A) AS SHOWN, ADD ONE WASHER (3) ON EACH BOLT (1) AS SHOWN, THEN ALIGN THE BOLT HOLES ON BOTH LEGS (D) AND TABLE FRAME (A), THEN USE THE ALLEN WRENCH (4) PROVIDED TO TIGHTEN ALL BOLTS BY 30%-50% AT FIRST, ENSURING THAT ALL BOLTS ARE ALIGNED CORRECTLY BEFORE TIGHTENING ALL BOLTS.



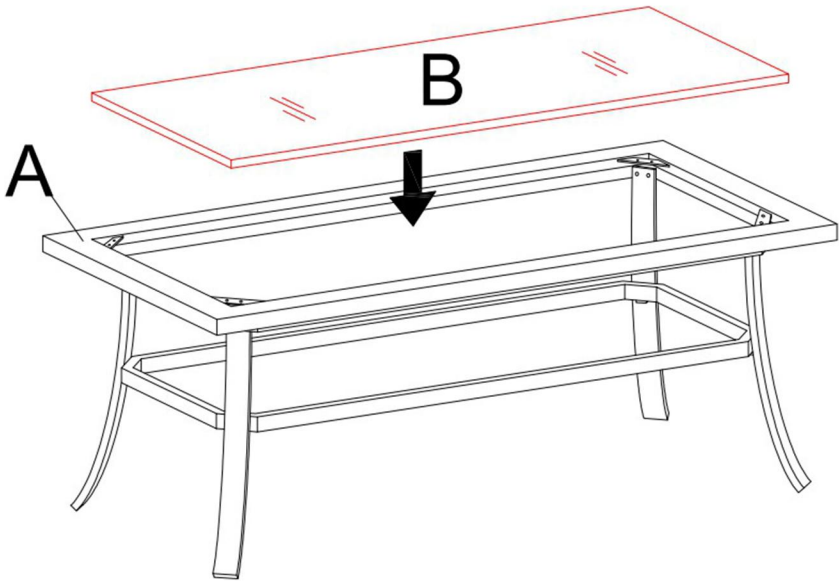
step 2

INSTALL THE IRON FRAME (C) ONTO THE LEGS AS SHOWN. ADD ONE WASHER (3) ON EACH BOLT (2) AS SHOWN, THEN ALIGN THE BOLT HOLES ON BOTH IRON FRAME (A) AND LEGS, THEN USE THE ALLEN WRENCH (4) PROVIDED TO TIGHTEN ALL BOLTS BY 30%-50% AT FIRST, ENSURING THAT ALL BOLTS ARE ALIGNED CORRECTLY BEFORE TIGHTENING ALL BOLTS.



step 3

PLACE THE TABLETOP (B) ONTO THE TABLE FRAME AS SHOWN, MAKE SURE THEY ARE ALIGNED CORRECTLY.



For better user experience, please carefully check all the screws, and make sure they are all fully tightened. (Use the allen wrench to twist each screw until it is fully tightened.)