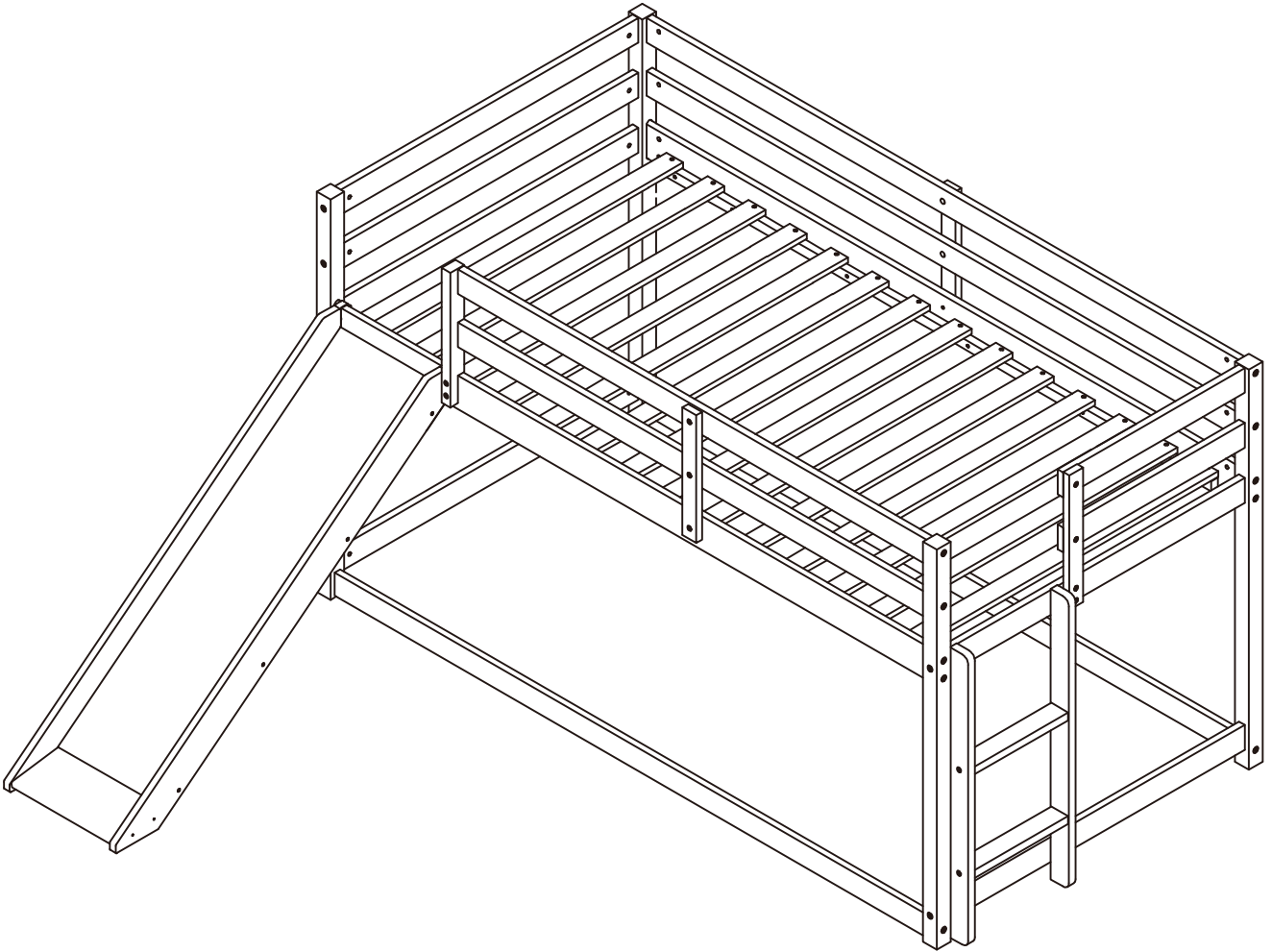


ASSEMBLY INSTRUCTIONS





SAFETY WARNING



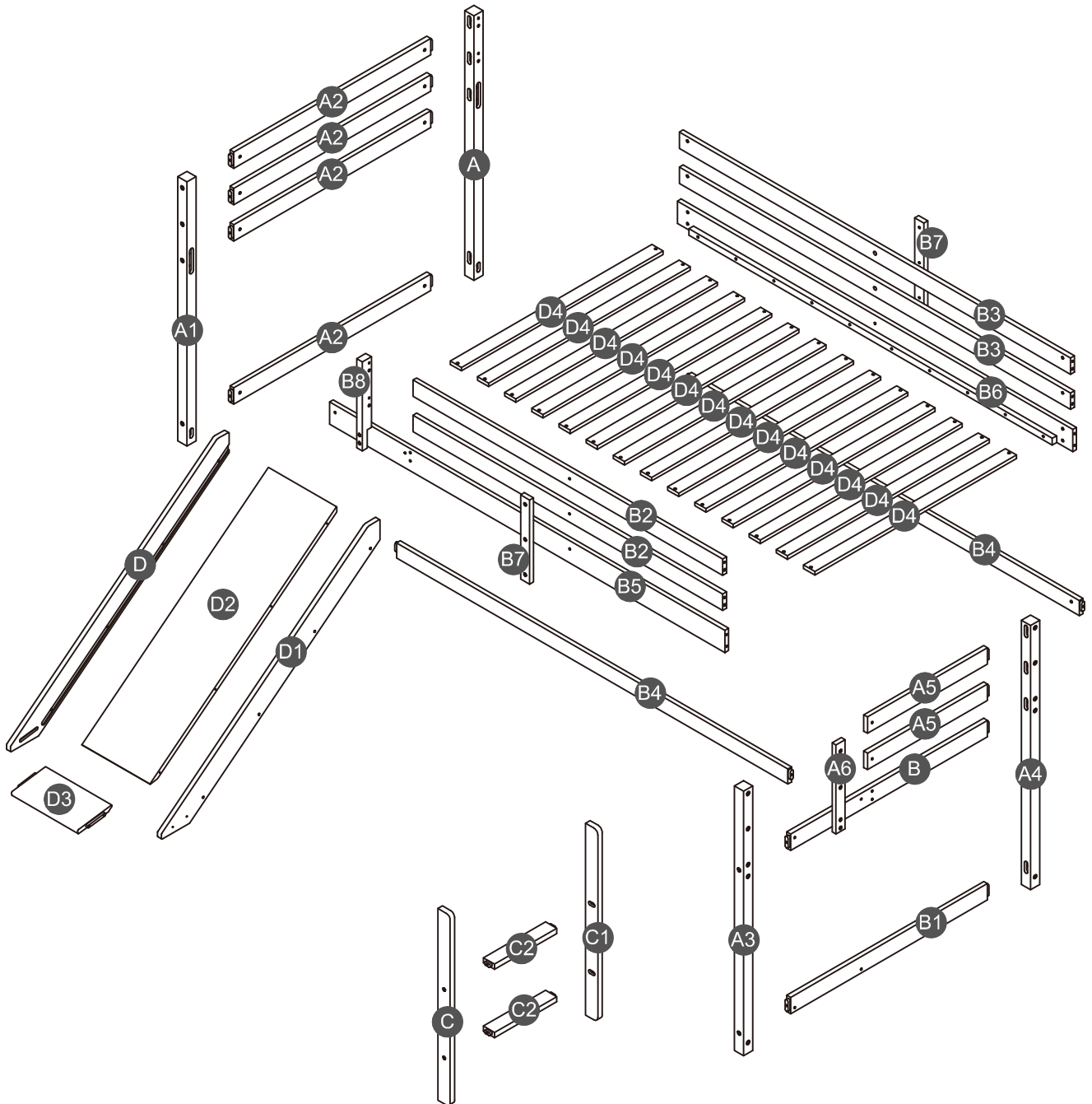
1. This bed is designed for use only mattress (es) meeting the following specifications on the loft bed:

Up bed (Loft bed and tribed included)

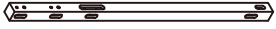
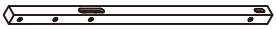

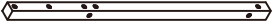
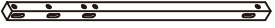



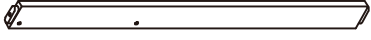


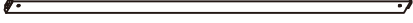



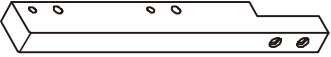
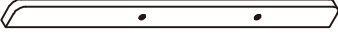
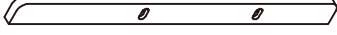
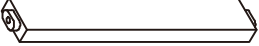



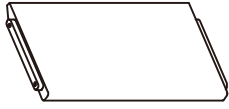
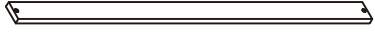
Bed type	Length	With	Thickness
Twin Standard	74"-75"	38 1/2"	6" max

2. Replacement parts, including additional guardrails, maybe obtained from any of our dealers
3. Follow the information on the warnings appearing on the loft bed. end structure and on the carton. Do not remove warning label from bed.
4. Always use the recommended size mattresses or mattress supports, or both, to help prevent the likelihood of entrapment or falls.
5. Surface of mattress must be at least 5" (127mm) below the upper edge of guardrails.
6. Do not allow children under 6 years of age to use the loft bed.
7. Periodically check and ensure that the guardrail, ladder, and other components are in their proper position, free from damage, and that all connectors are tight.
8. Do not allow horseplay on or under the bed and prohibit jumping on the bed.
9. Always use the ladder for entering and leaving the loft bed.
10. Do not use substitute part. Contact the manufacture or dealer for replacement part.
11. Use of a night light may provide added safety precaution for a child using the loft bed.
12. Always use guardrails on both long sides of the loft bed. If the loft bed will be placed next to the wall, the guardrail that runs the full length of the bed should be placed against the wall to prevent entrapment between the bed and wall.
13. The use of water or sleep flotation mattresses is prohibited.
14. **STRANGULATION HAZARD** - Never attach or hang items to any part of the loft bed that are not designed for use with the bed; for example, but not limited to, hook, belts and jump ropes.
15. Keep these instruction for future reference.
16. Prohibit more than one person on upper bunk
17. We recommend assembling your bunk bed on the shipping carton to protect your floor or carpet.
18. Be certain all staples are out of the box before beginning assembly on the shipping carton.

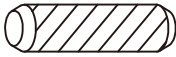
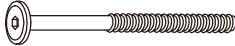
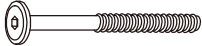
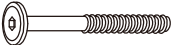









EXPLODED DRAWING



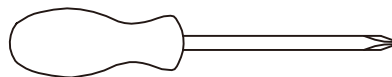
Part List

<p>A</p>  <p>Leg (Left back) - 1pc</p>	<p>A1</p>  <p>Leg (Left front) - 1pc</p>	<p>A2</p>  <p>Horizontal bar HB - 4pcs</p>
<p>A3</p>  <p>Leg (Right front) - 1pc</p>	<p>A4</p>  <p>Leg (Right back) - 1pc</p>	<p>A5</p>  <p>Upper Horizontal FB - 2pcs</p>
<p>A6</p>  <p>Vertical guard rail FB - 1pc</p>	<p>B</p>  <p>Divider horizontal bar FB - 1pc</p>	<p>B1</p>  <p>Lower horizontal bar FB - 1pc</p>
<p>B2</p>  <p>Short guard rail (Front)-2pcs</p>	<p>B3</p>  <p>Long guard rail (Back)-2pcs</p>	<p>B4</p>  <p>Side rail (Bottom) - 2pcs</p>
<p>B5</p>  <p>Side rail (Upper front) - 1pc</p>	<p>B6</p>  <p>Side rail (Upper back) - 1pc</p>	<p>B7</p>  <p>Vertical guard rail - 2pcs</p>
<p>B8</p>  <p>Support guard rail (left) - 1pc</p>	<p>C</p>  <p>Left side ladder - 1pc</p>	<p>C1</p>  <p>Right side ladder - 1pc</p>
<p>C2</p>  <p>Step ladder - 2pcs</p>	<p>D</p>  <p>Left side slide - 1pc</p>	<p>D1</p>  <p>Right side slide - 1pc</p>
<p>D2</p>  <p>Slide panel - 1pc</p>	<p>D3</p>  <p>Slide base support - 1pc</p>	<p>D4</p>  <p>Slats - 14 pcs</p>

Hardware List

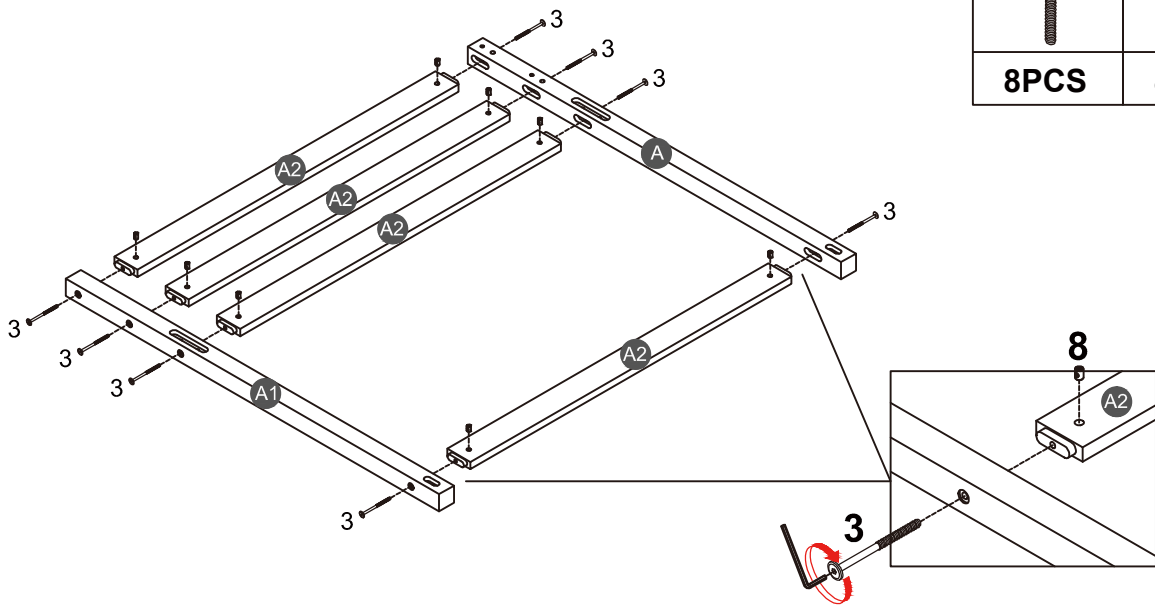
1  Ø10*40mm Wood dowel (8pcs)	2  (Ø15)1/4"*100mm Hex-Head bolts (18pcs)	3  (Ø15)1/4"*80mm Hex-Head bolts (16pcs)
4  (Ø12)1/4"*60mm Hex-Head bolts (4pcs)	5  (Ø12)1/4"*40mm Hex-Head bolts (6pcs)	6  (Ø12)1/4"*35mm Hex-Head bolts (2pcs)
7  (Ø12)1/4"*30mm Hex-Head bolts (10pcs)	8  1/4"*15 (9.5mm) Horizontal-Hole bolts(38pcs)	9  (1/4")4.5*58mm Allen key (1pc)
10  Ø4*30mm Wood screws (32pcs)	11  142*18*2mm Hooks (2pcs)	12  (Ø12)1/4"*50mm Hex-Head bolts (12pcs)
13  Ø13"*3mm Spring Washer (12pcs)		

ASSEMBLY TOOLS REQUIRED (NOT INCLUDED)



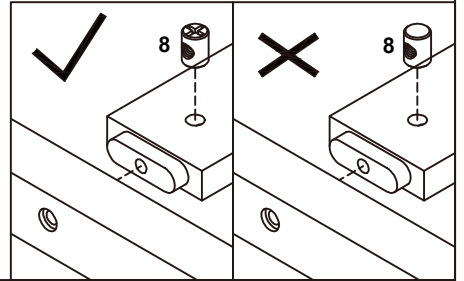
PLEASE BE CAREFUL DO NOT DAMAGE THE HOLE POSITION WHEN YOU USE POWER TOOLS !

STEP 1:

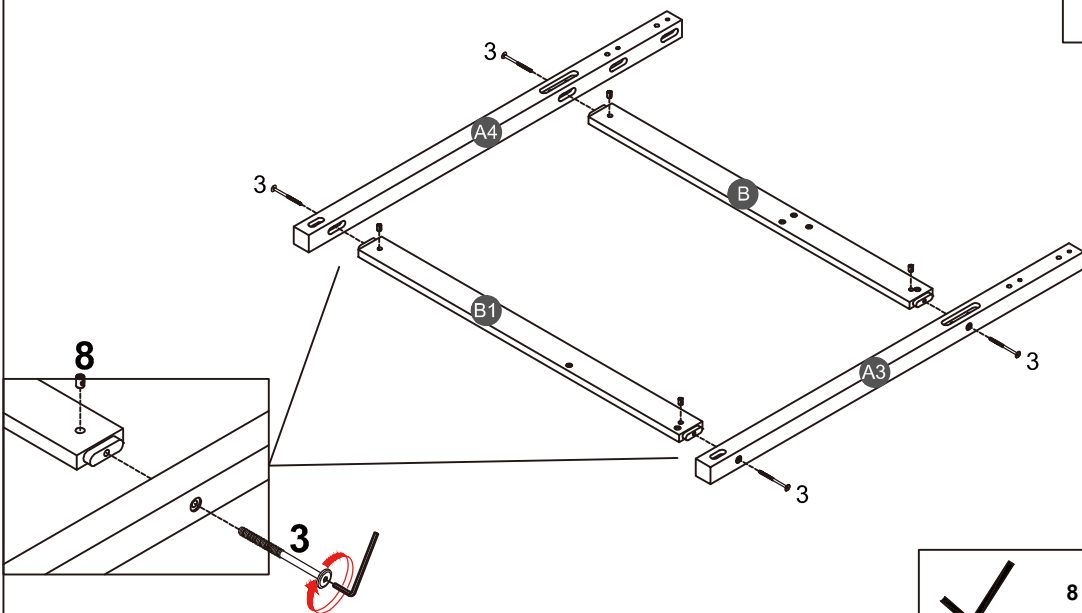


3		8	
8PCS		8PCS	

Note: Part 8 will face up with the "x" mark on it, otherwise it cannot be tightened

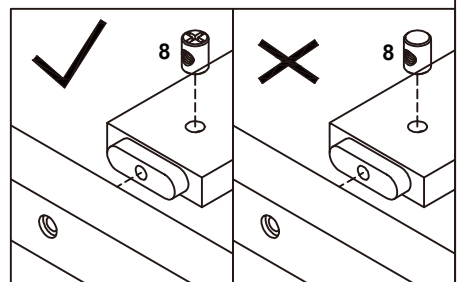


STEP 2:

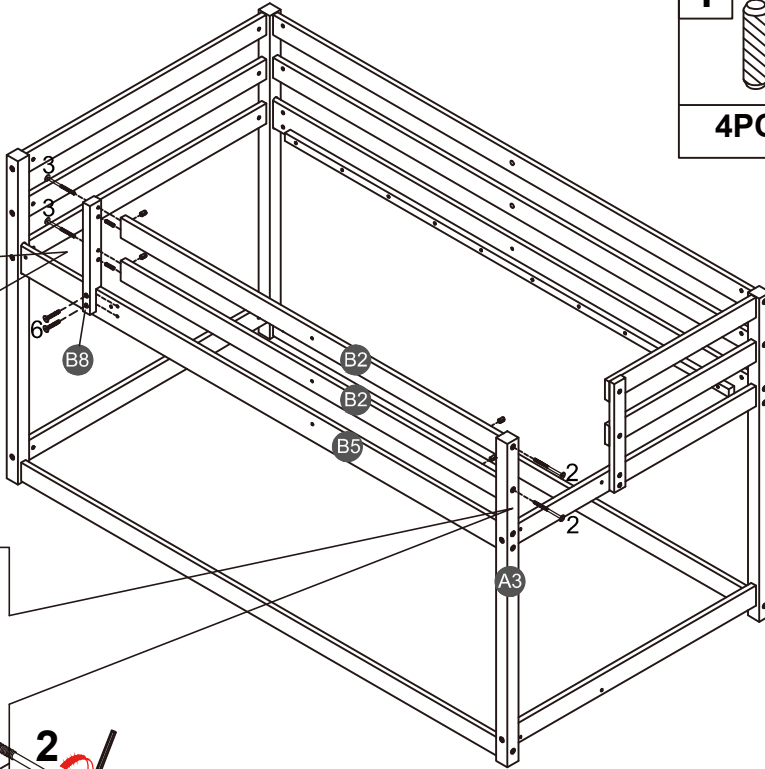
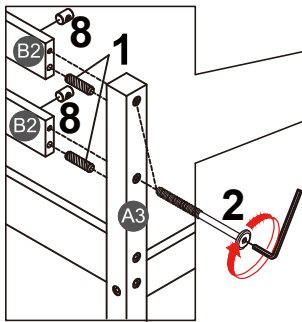
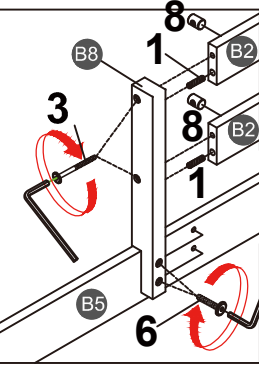


3		8	
4PCS		4PCS	

Note: Part 8 will face up with the "x" mark on it, otherwise it cannot be tightened

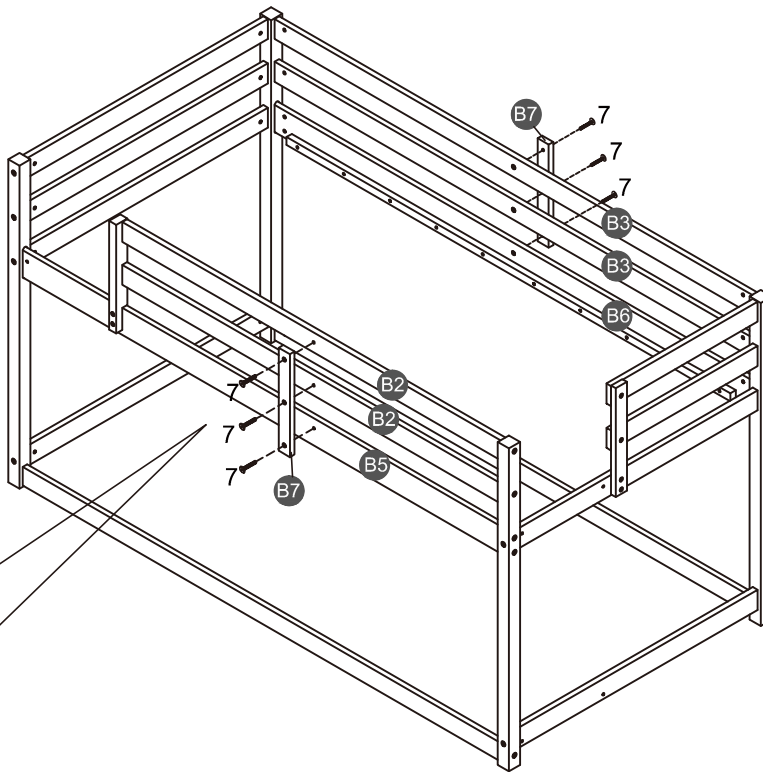
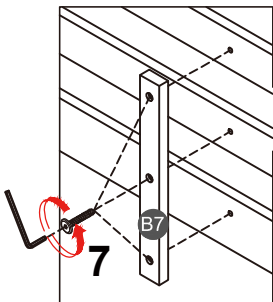


STEP 5:



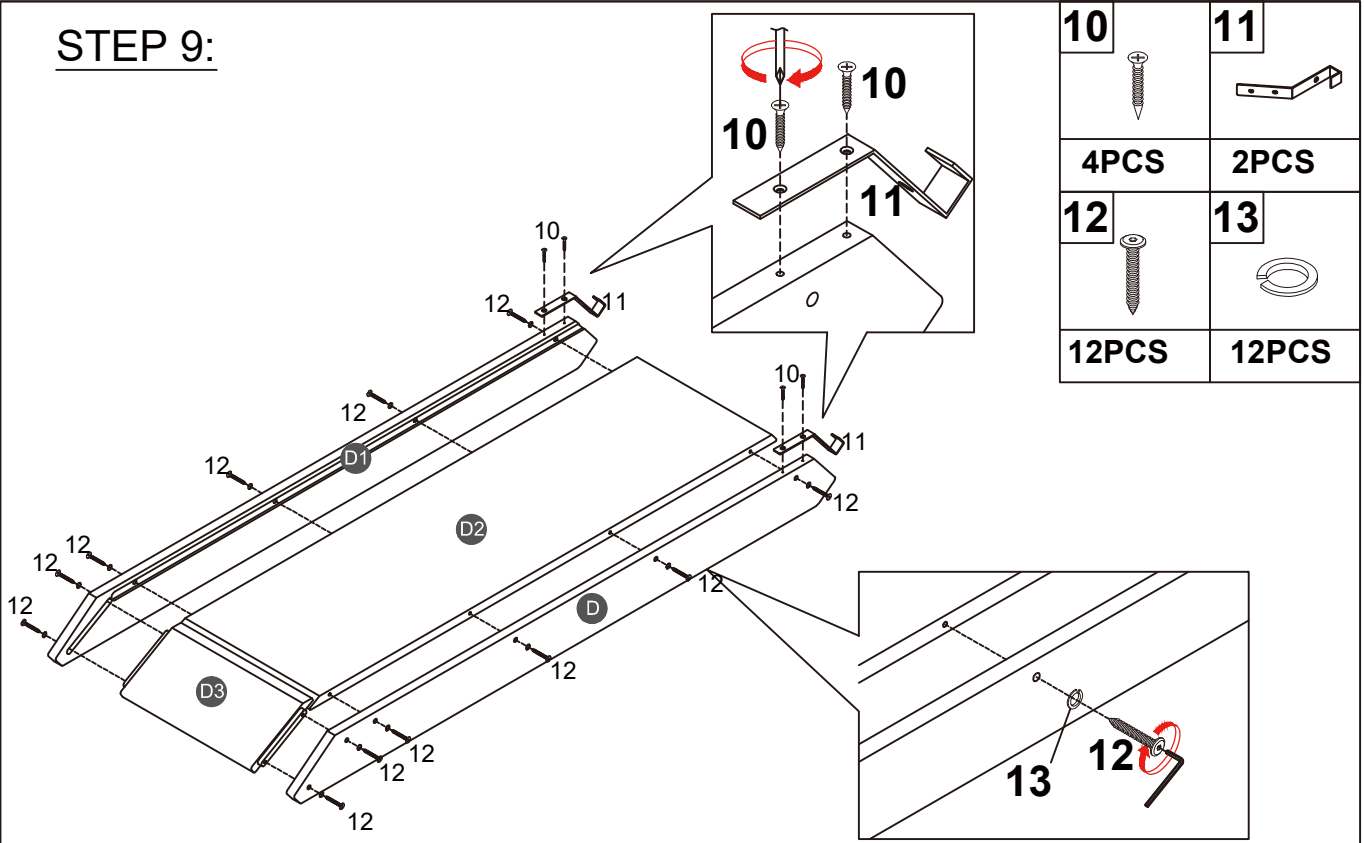
1		2	
4PCS		2PCS	
3		2PCS	
6		2PCS	
8		4PCS	

STEP 6:

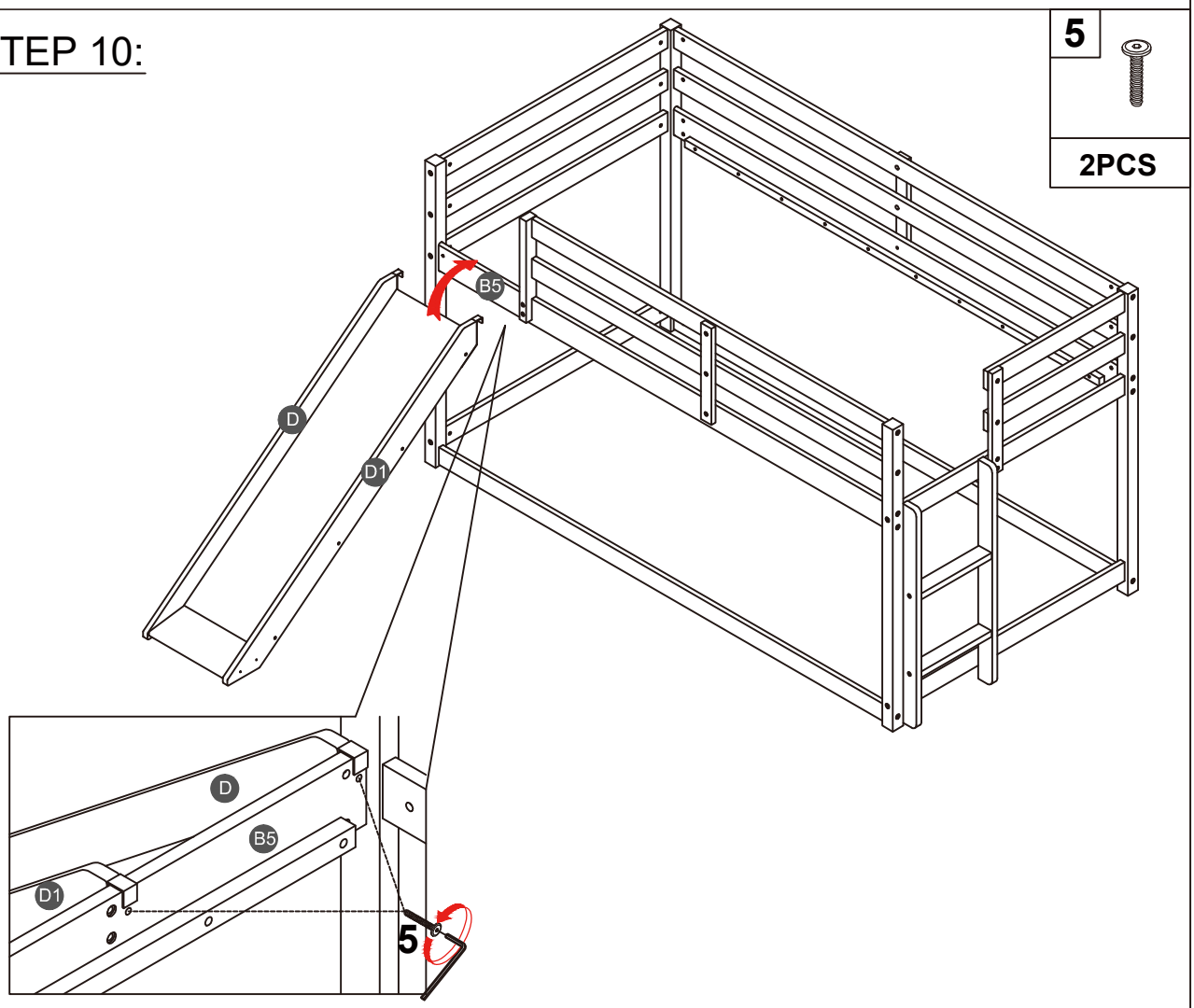


7	
6PCS	


STEP 9:

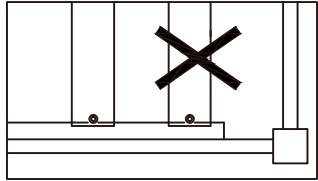
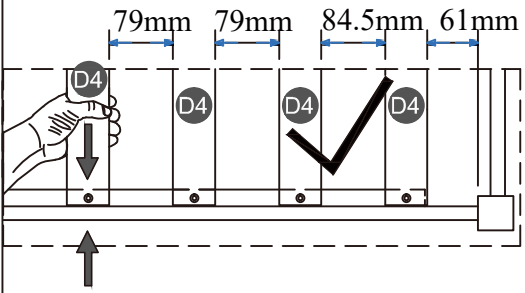
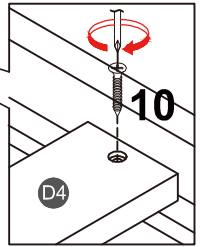
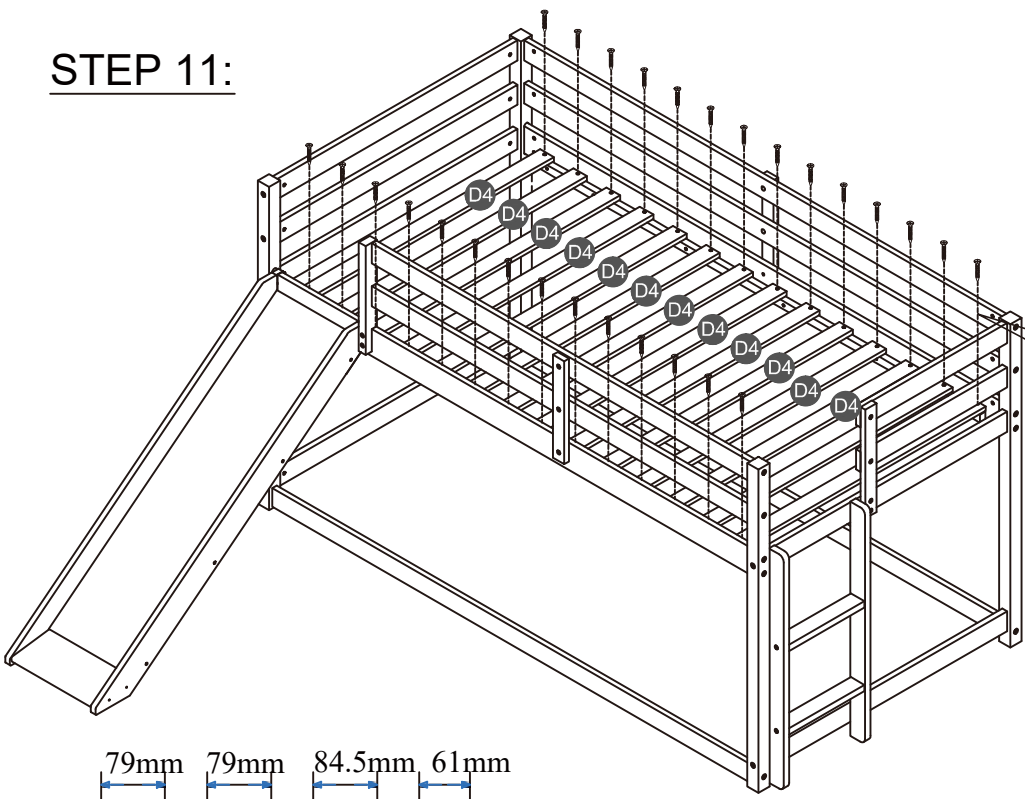


STEP 10:

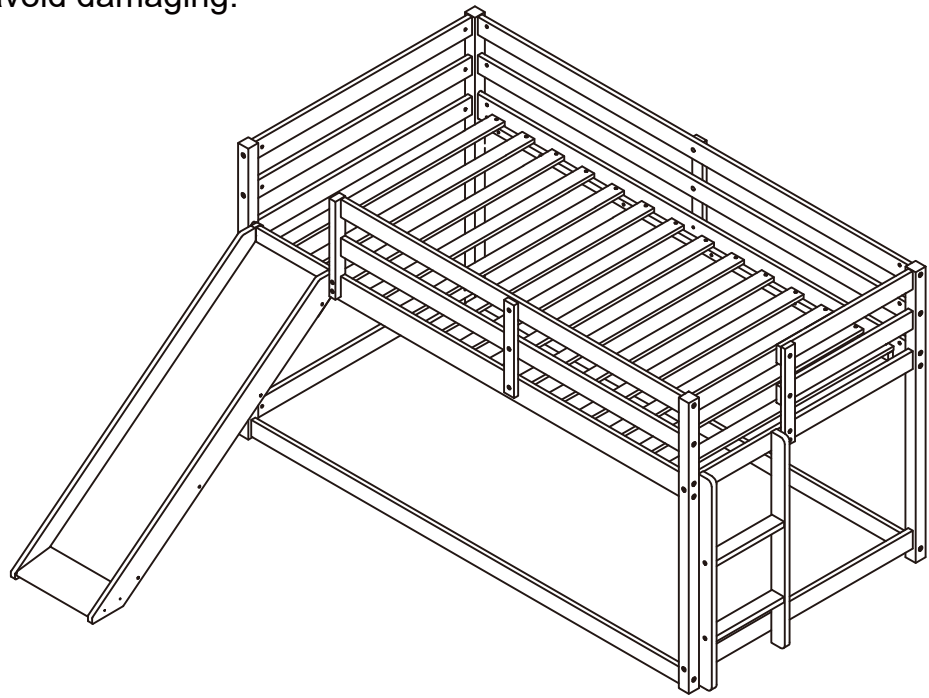


STEP 11:

10

28PCS



NOTE: Please make sure the bed slats close to the side rail before locking the screws to avoid breakage. This step is required for both the left and right sides. Moreover, please do not lock the screws of the bed slats at the outermost edge to avoid damaging.



AFTER-SALE SERVICE

If you have any suggestions for our products or find that the products have quality problems, please contact us first, our after-sales team will reply you within 24 hours, and we will do our best to give you solutions until you are satisfied.

Guaranteed Customer Service

Your shopping experience is very important to us!
Feel unsatisfied? **Contact us!**
Have any questions? **Contact us!**

Wanna share your experience with our products?
Share your pictures with us.

Any suggestions? **Contact us!**
We gotcha back!