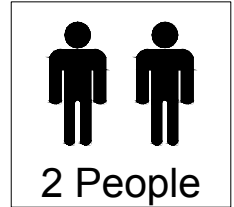
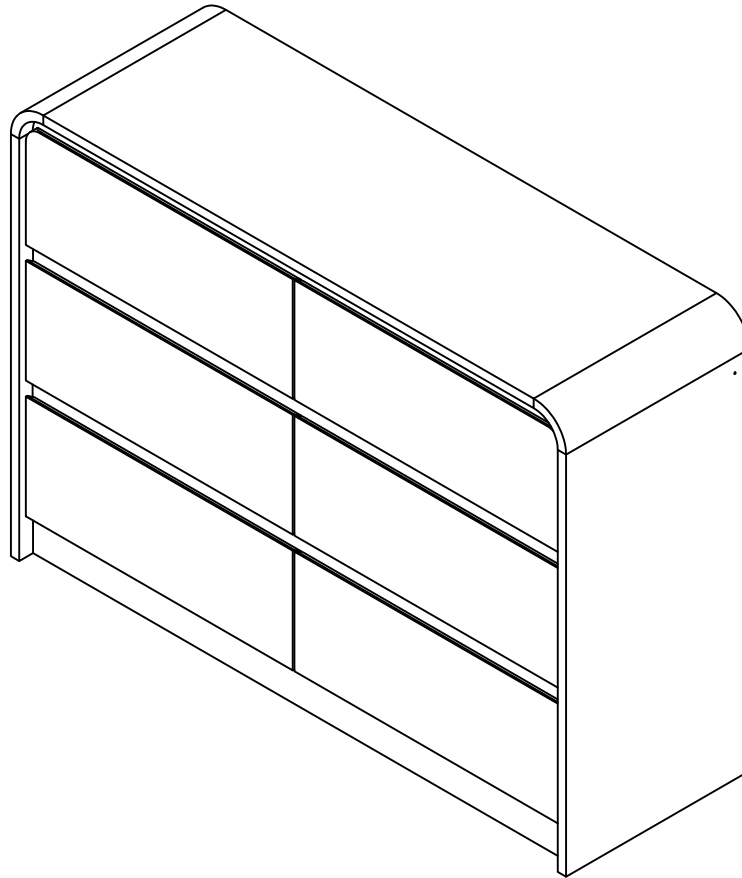
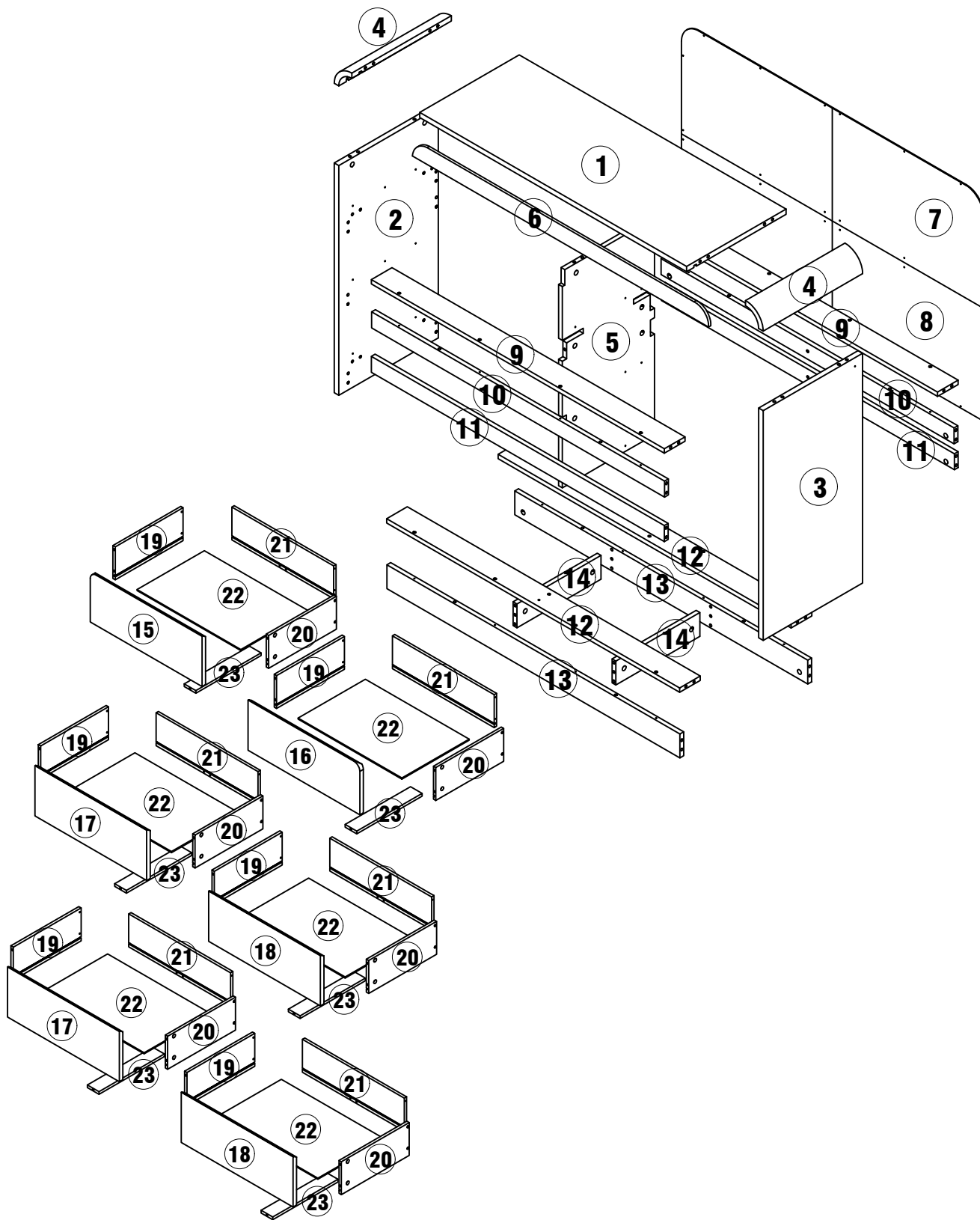


# ASSEMBLY INSTRUCTIONS




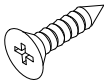
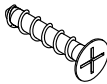



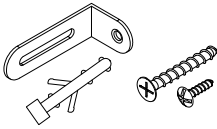


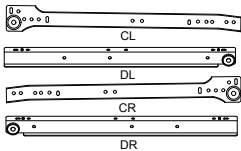
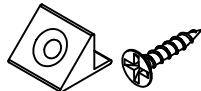
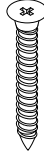
# PACKAGE INCLUDE



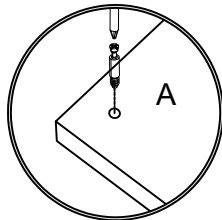
## PACKAGE INCLUDE

<b>CODE</b>	<b>DESCRIPTION</b>	<b>QTY</b>
<b>1</b>	Top Panel	<b>1</b>
<b>2</b>	Left Side Panel	<b>1</b>
<b>3</b>	Right Side Panel	<b>1</b>
<b>4</b>	Bent Wood Board	<b>2</b>
<b>5</b>	Middle Vertical Panel	<b>1</b>
<b>6</b>	Upper Front Strip	<b>1</b>
<b>7</b>	Upper Back Panel	<b>1</b>
<b>8</b>	Lower Back Panel	<b>1</b>
<b>9</b>	Front Crosspiece	<b>2</b>
<b>10</b>	Front vertical panel 1	<b>2</b>
<b>11</b>	Front vertical panel 2	<b>2</b>
<b>12</b>	Bottom Crosspiece	<b>2</b>
<b>13</b>	Bottom Vertical Panel	<b>2</b>
<b>14</b>	Bottom Supported Panel	<b>2</b>
<b>15</b>	Upper Left Drawer Top Panel	<b>1</b>
<b>16</b>	Upper Right Drawer Top Panel	<b>1</b>
<b>17</b>	Lower Left Drawer Top Panel	<b>2</b>
<b>18</b>	Lower Right Drawer Top Panel	<b>2</b>
<b>19</b>	Drawer Left Side Panel	<b>6</b>
<b>20</b>	Drawer Right Side Panel	<b>6</b>
<b>21</b>	Drawer Back Panel	<b>6</b>
<b>22</b>	Drawer Bottom Panel	<b>6</b>
<b>23</b>	Drawer Bottom Strip	<b>6</b>

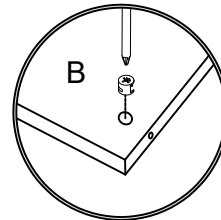
# PACKAGE CONTENT

<p><b>Ø8X30MM</b></p>  <p><b>A</b>      <b>48X+2</b></p>	<p><b>Ø3X12MM</b></p>  <p><b>B</b>      <b>72X+2</b></p>	<p><b>Ø4X35MM</b></p>  <p><b>C</b>      <b>36X+2</b></p>	 <p><b>D</b>      <b>8X+1</b></p>
<p><b>Ø3.5X12MM</b></p>  <p><b>F</b>      <b>28X+2</b></p>	<p><b>Ø15X12MM</b></p>  <p><b>G</b>      <b>8X+1</b></p>	 <p><b>H</b>      <b>2X</b></p>	 <p><b>J</b>      <b>60X+2</b></p>
<p><b>Ø15X10MM</b></p>  <p><b>K</b>      <b>60X+2</b></p>	 <p><b>L</b>      <b>6X</b></p>	 <p><b>M</b>      <b>2X</b></p>	<p><b>Ø4X40MM</b></p>  <p><b>N</b>      <b>18X+1</b></p>

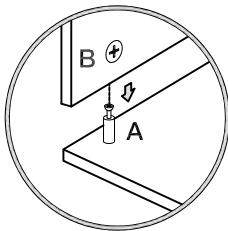
# How to use the cam lock system



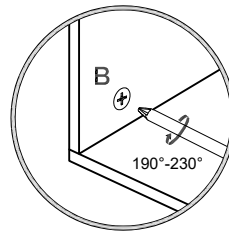
1. Screw cam bolt into panel



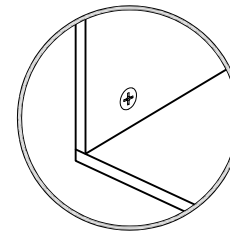
2. Push cam into panel - arrow feature on cam top points to panel edge



3. Align cam bolt(s) with cam(s) and insert all the way into cross-bored hole(s)

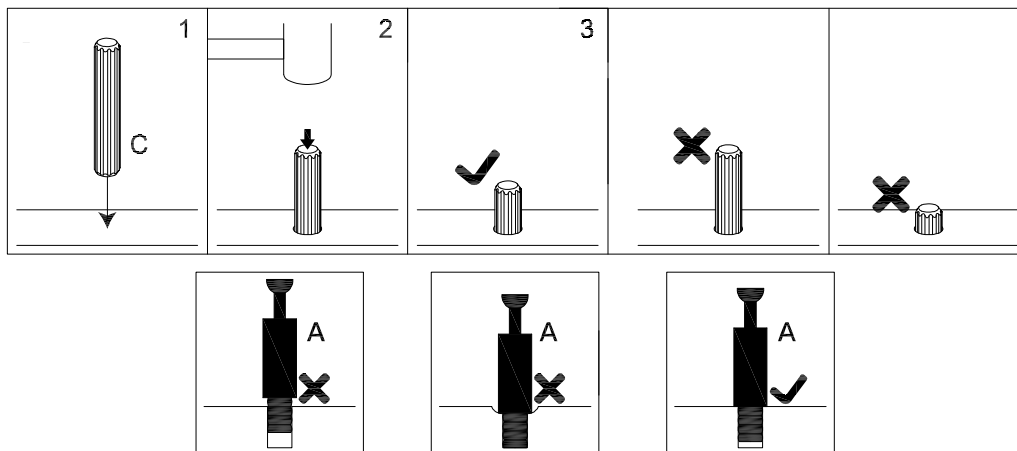


4. Rotate cam(s) clockwise 190°-230° to lock panels together



5. Panels should be tight against each other and connection should be rigid

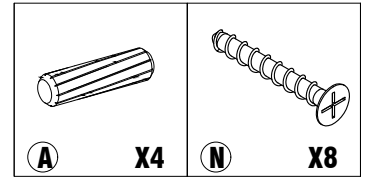
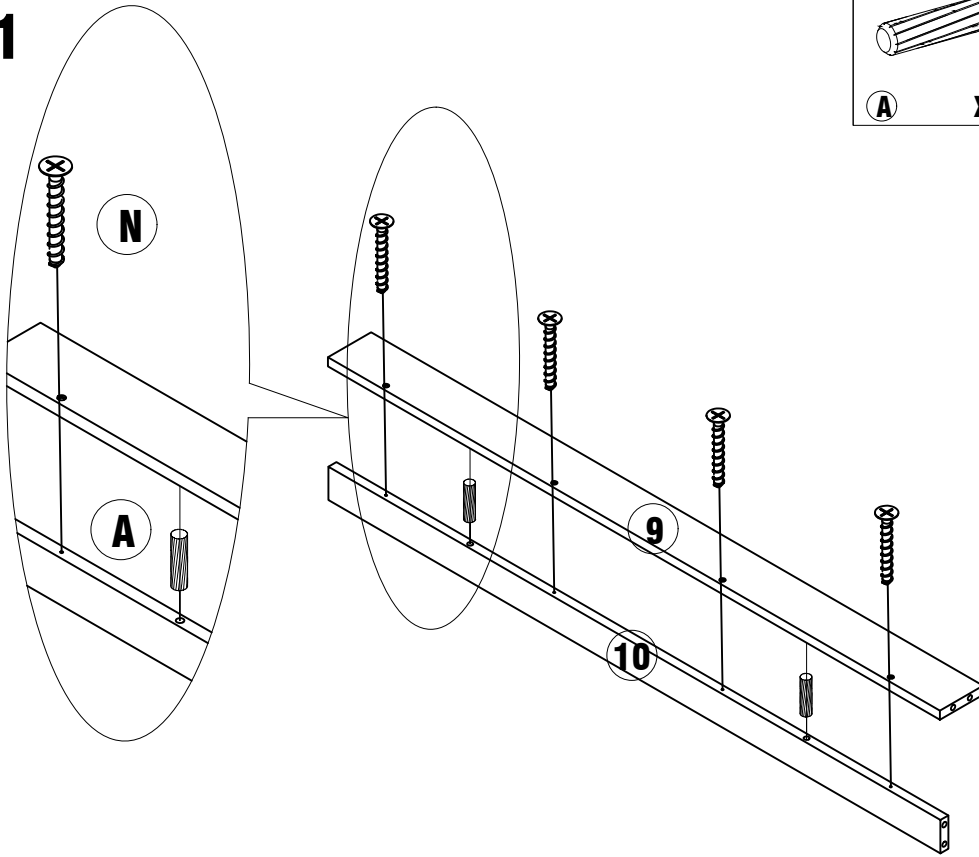
Insert the wood dowel [C] at least half way by tapping lightly with a rubber mallet, IF NECESSARY.



## ⚠ WARNING

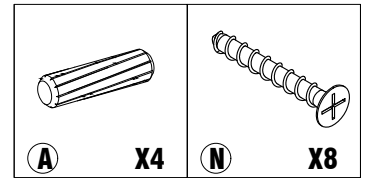
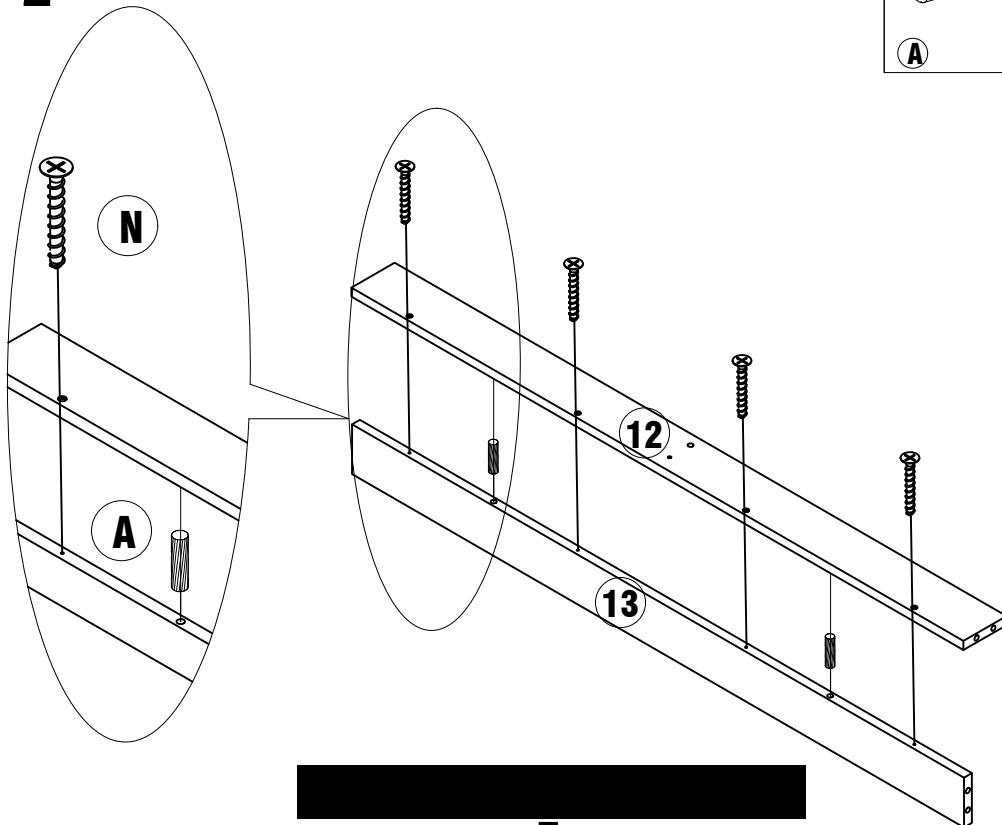
- Unit must be placed on a level surface or leveled with included hardware (when applicable).
- Do not sit or stand on or allow children to climb, sit or stand on the assembled product.
- For safety reasons, it is imperative that this unit be mounted to the wall.
- Do not use without installing the tip restraint.
- Unit can tip over causing severe injury or death.
- Do not exceed the recommended weight limits.
- Evenly distribute the weight on each level and always keep the heavier loads on the bottom.
- Before cutting, drilling or hammering into any wall or floor surface, verify the location of electrical, plumbing and gas lines. Cutting may cause serious injury.

# STEP 1



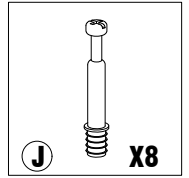
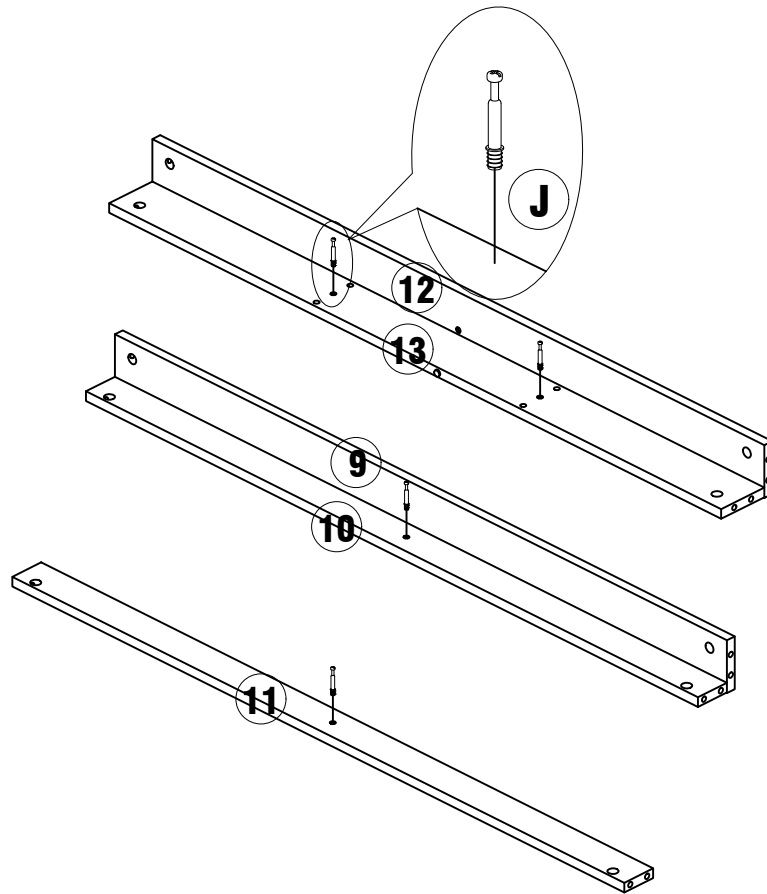
**X2**

# STEP 2



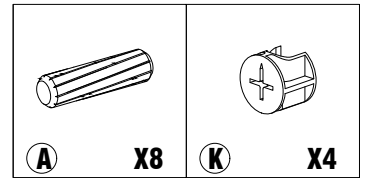
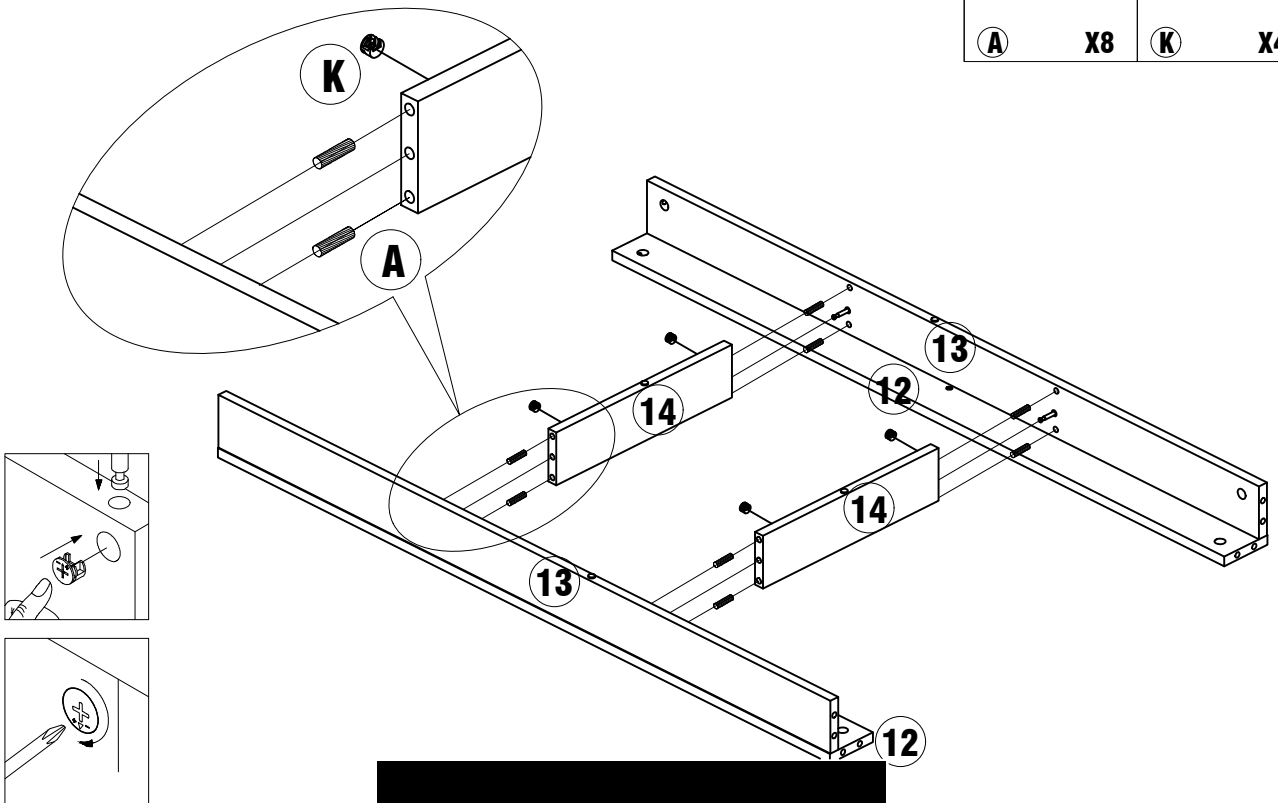
**X2**

# STEP 3

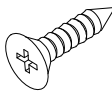
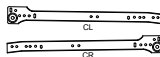


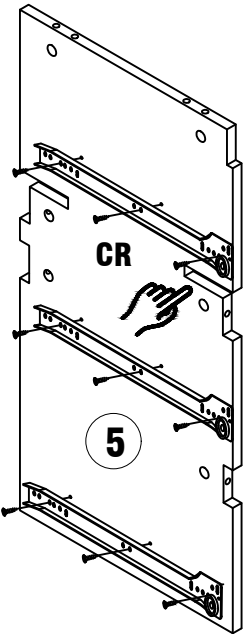
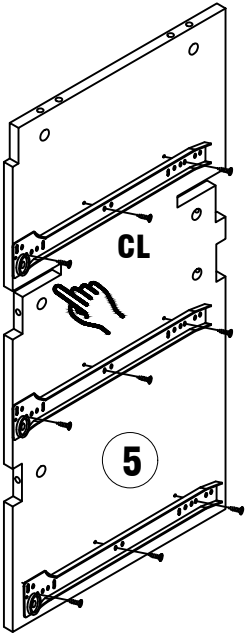
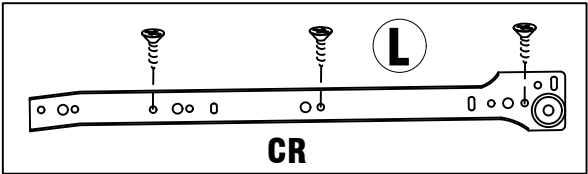
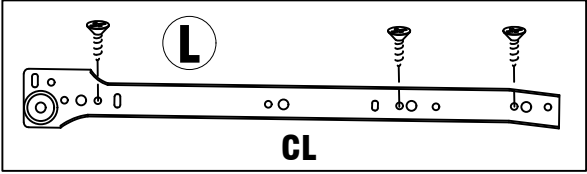
# X2

# STEP 4



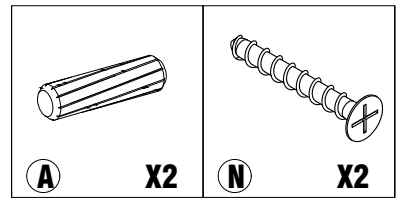
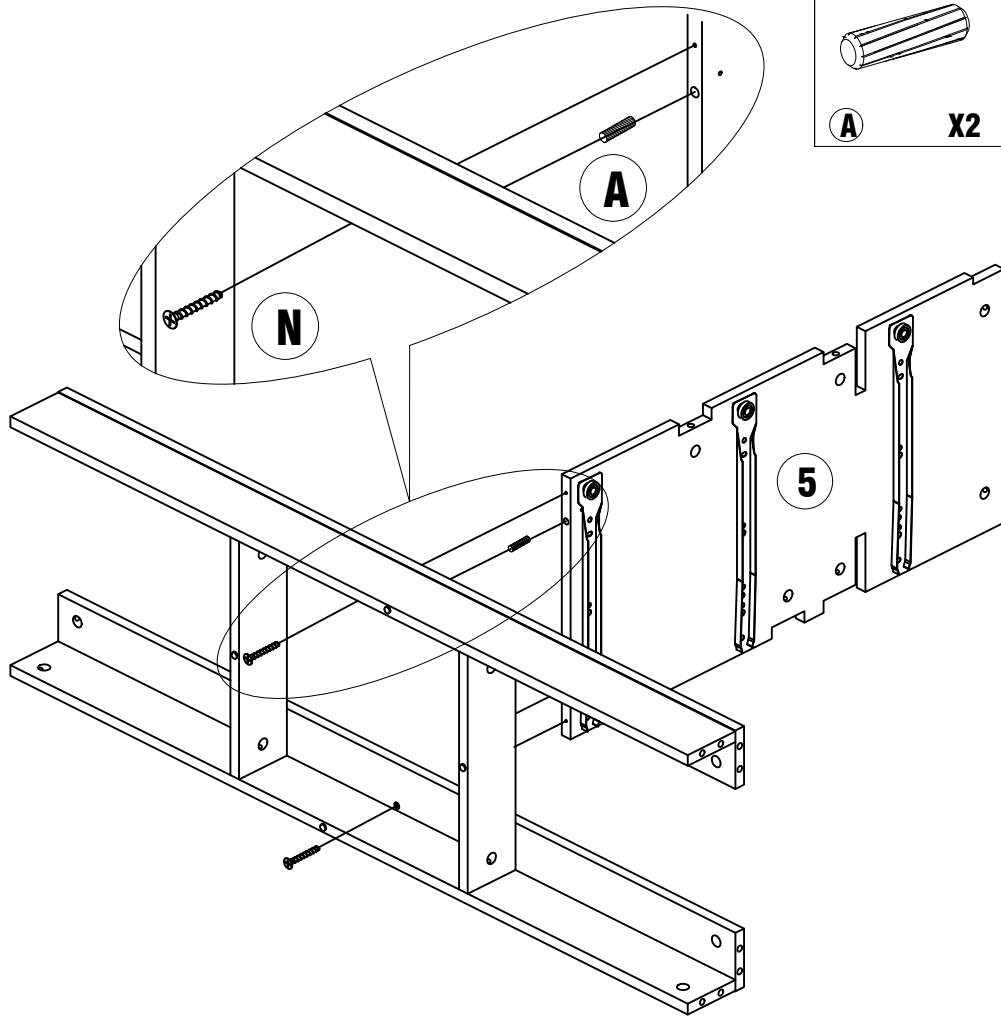
# STEP 5

	
<b>B</b>	<b>X18</b>
<b>L</b>	<b>X3</b>

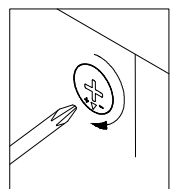
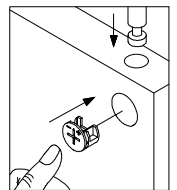
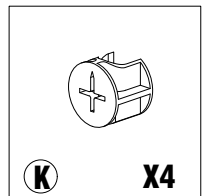
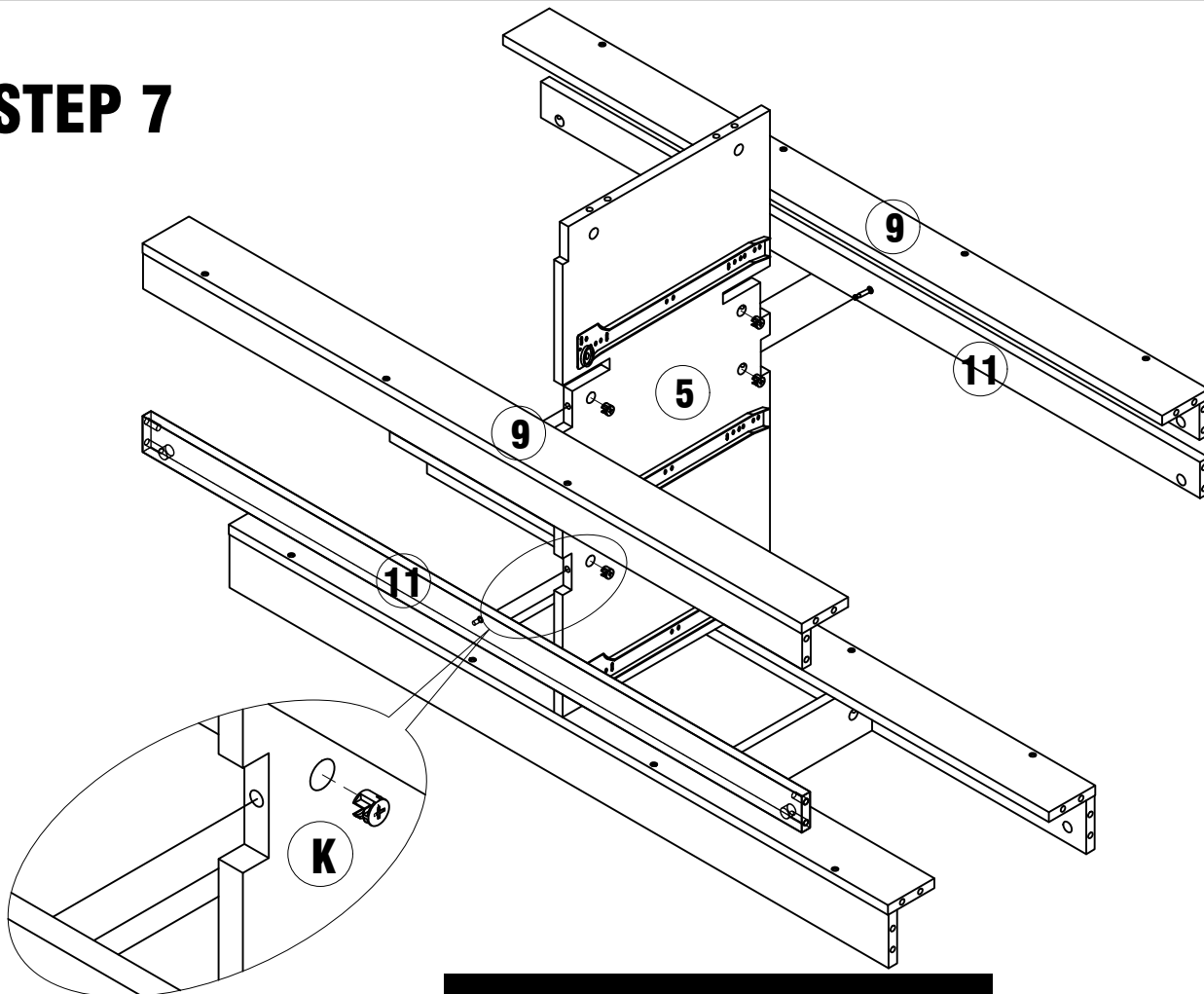




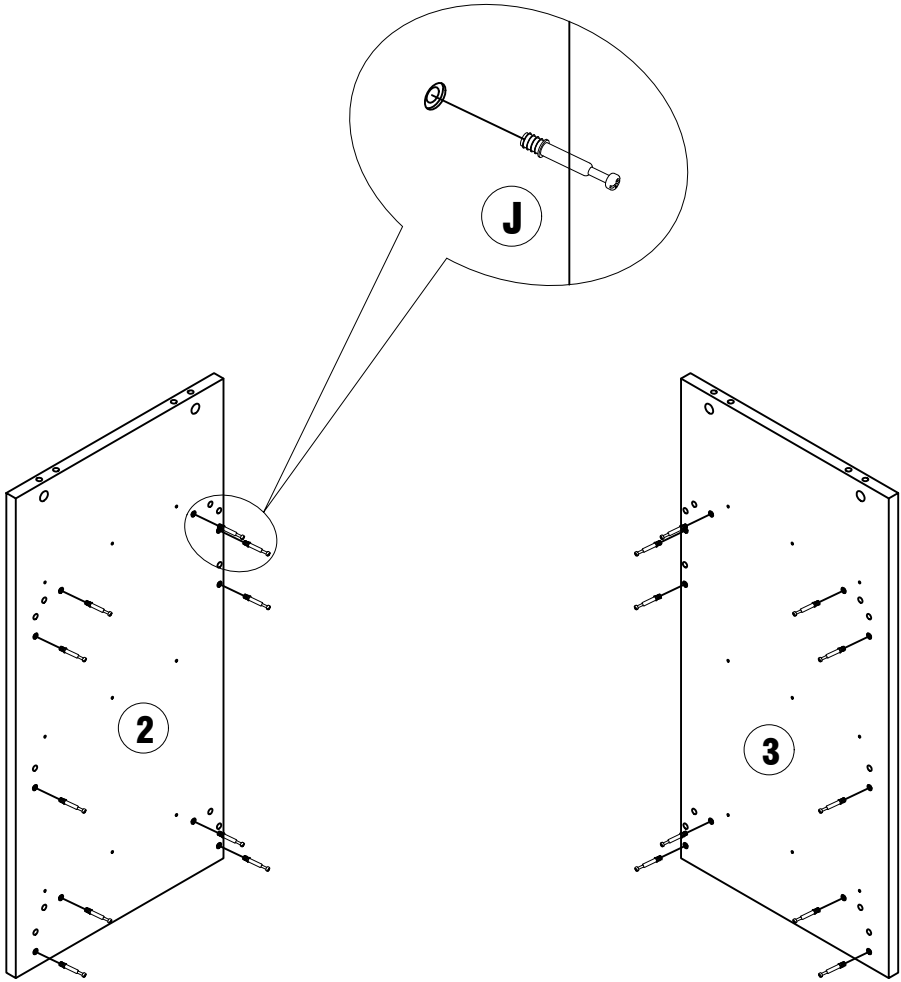
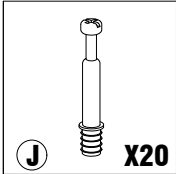
# STEP 6



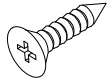
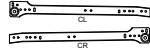
# STEP 7

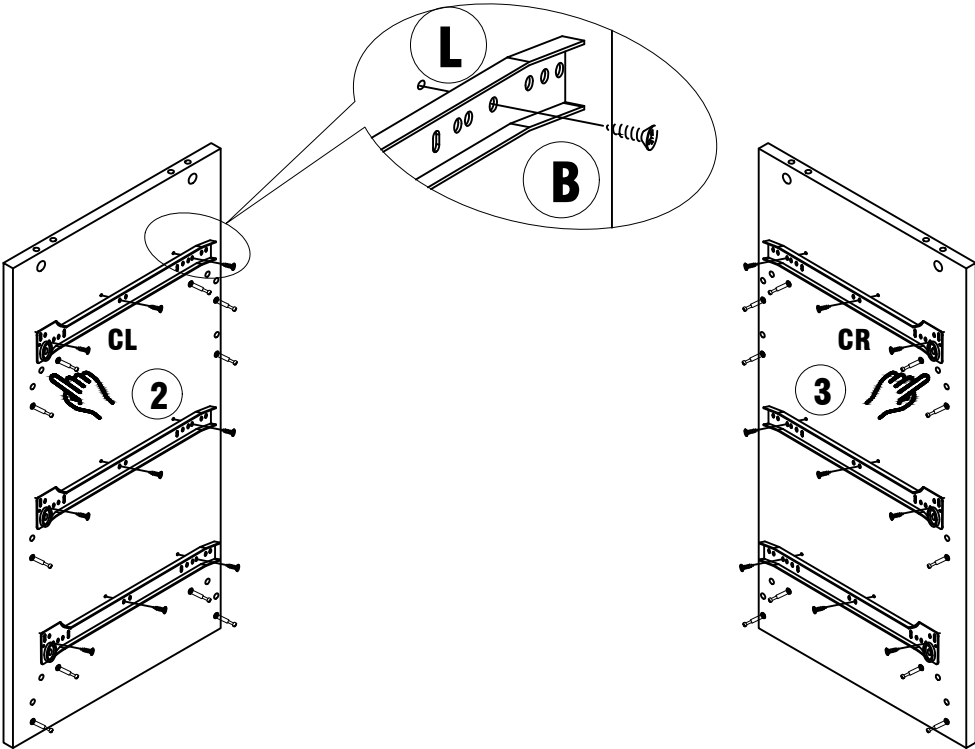
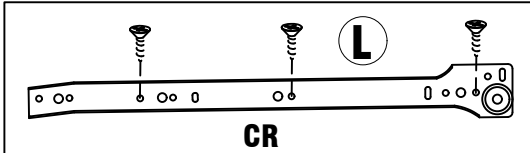
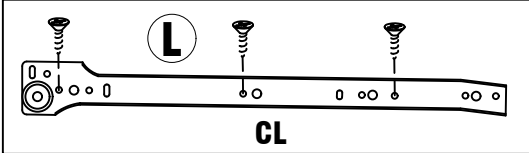


# STEP 8





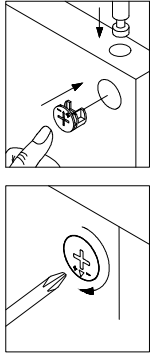
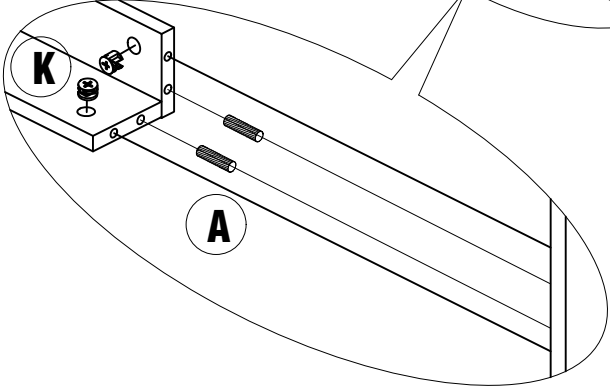
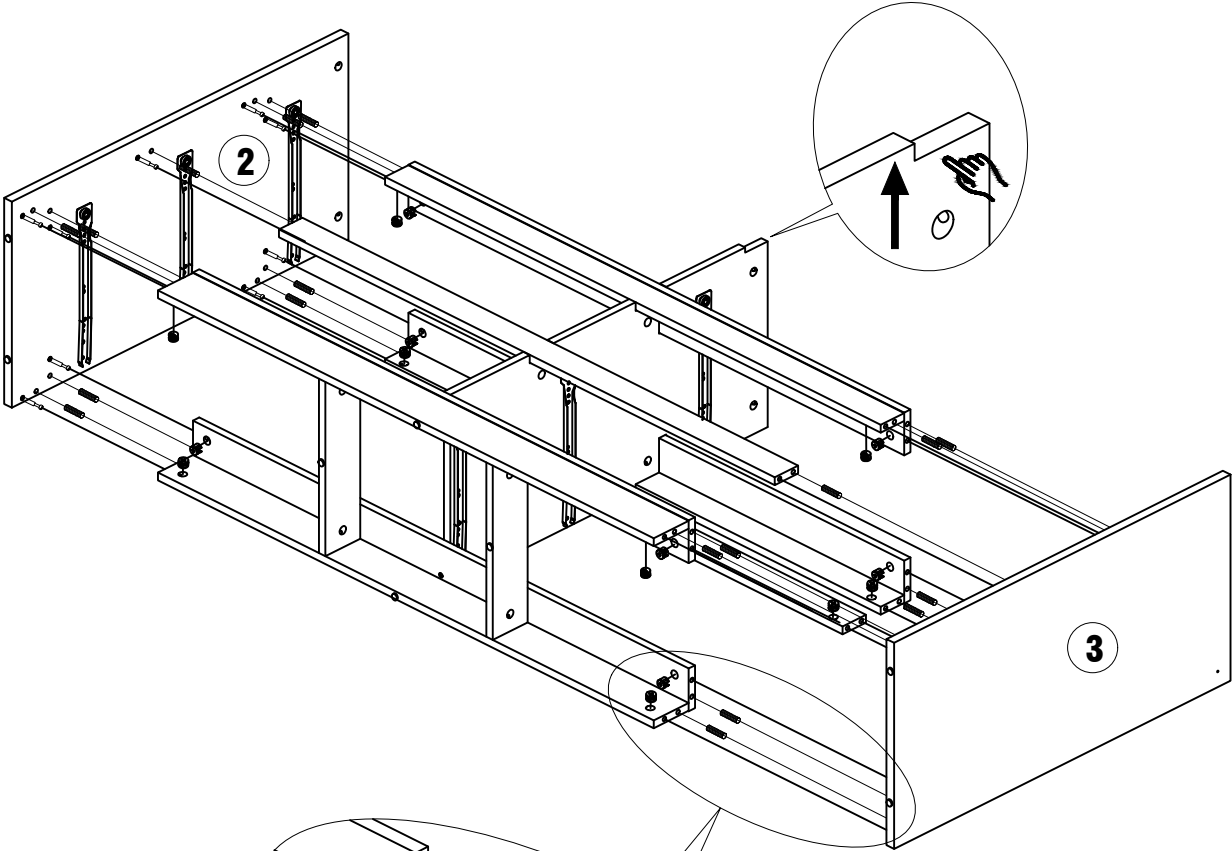
# STEP 9

	
<b>B</b>	<b>X18</b>
<b>L</b>	<b>X3</b>

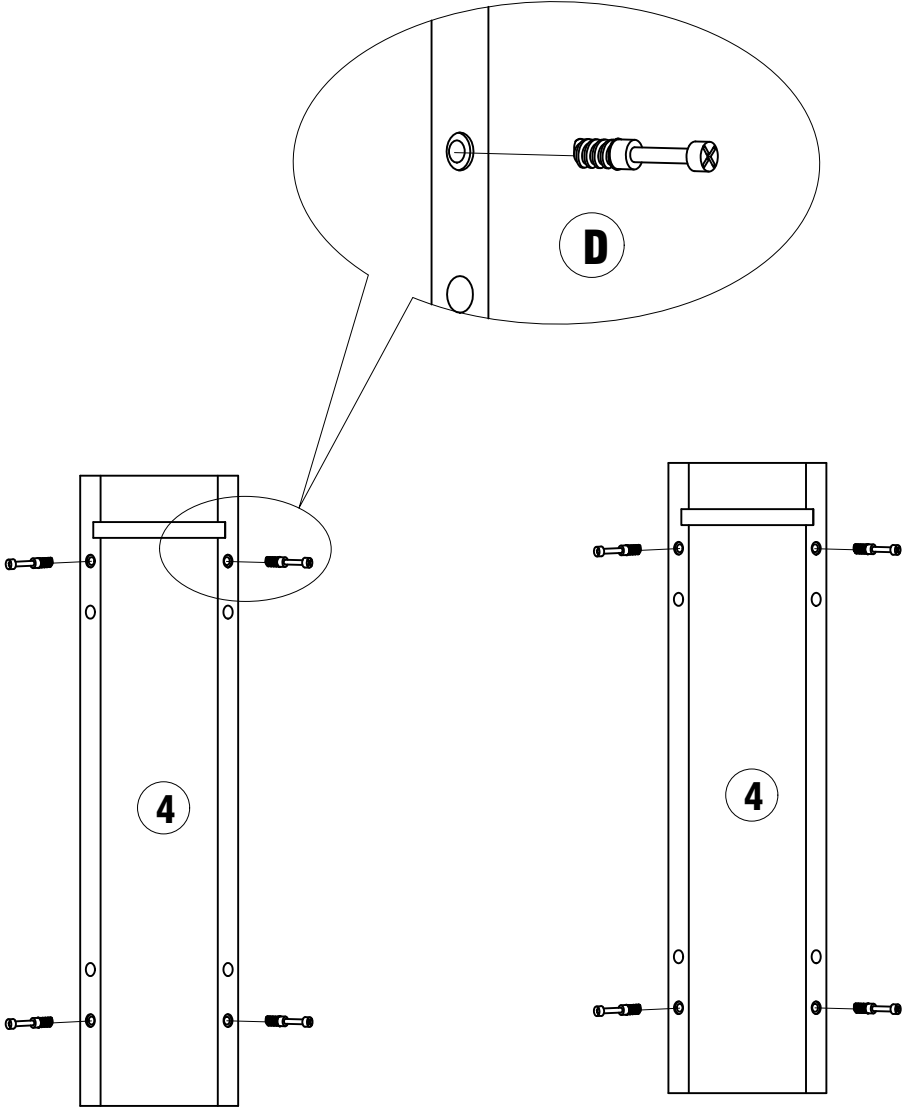
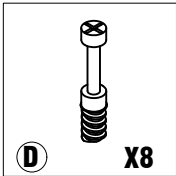


# STEP 10

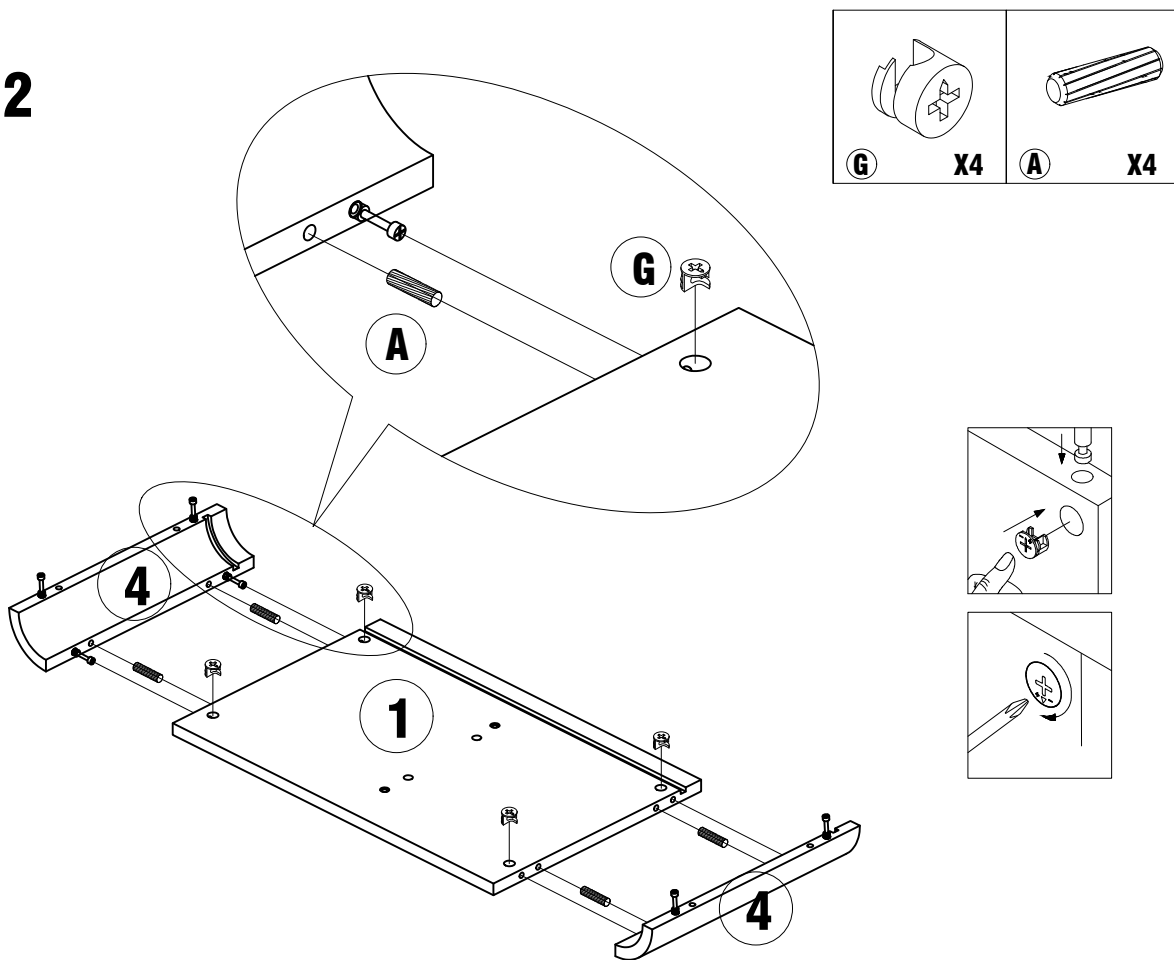
	
<b>A</b>	<b>X20</b>
<b>X20</b>	<b>K</b>
	<b>X20</b>



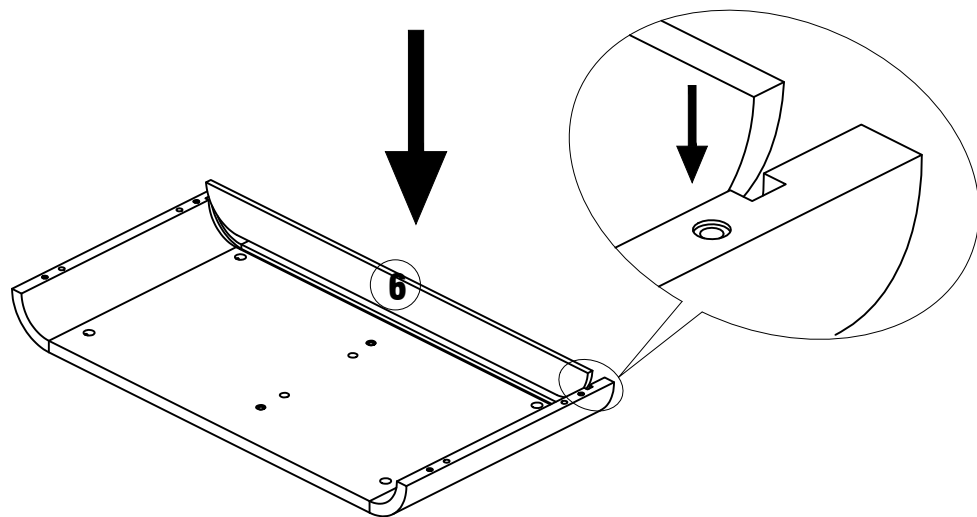
# STEP 11



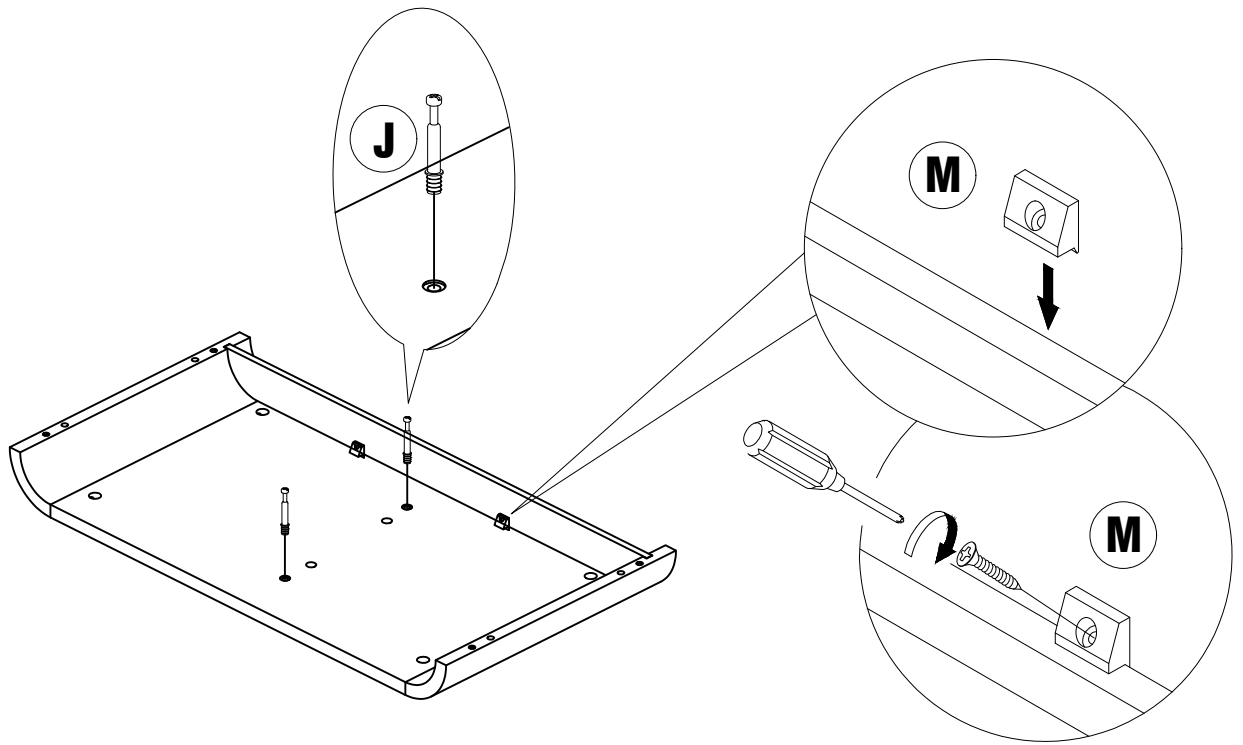
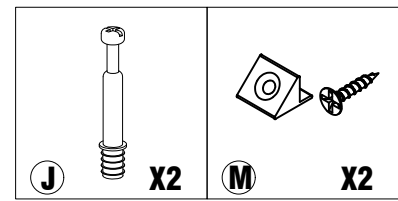
# STEP 12



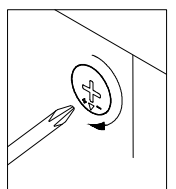
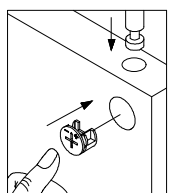
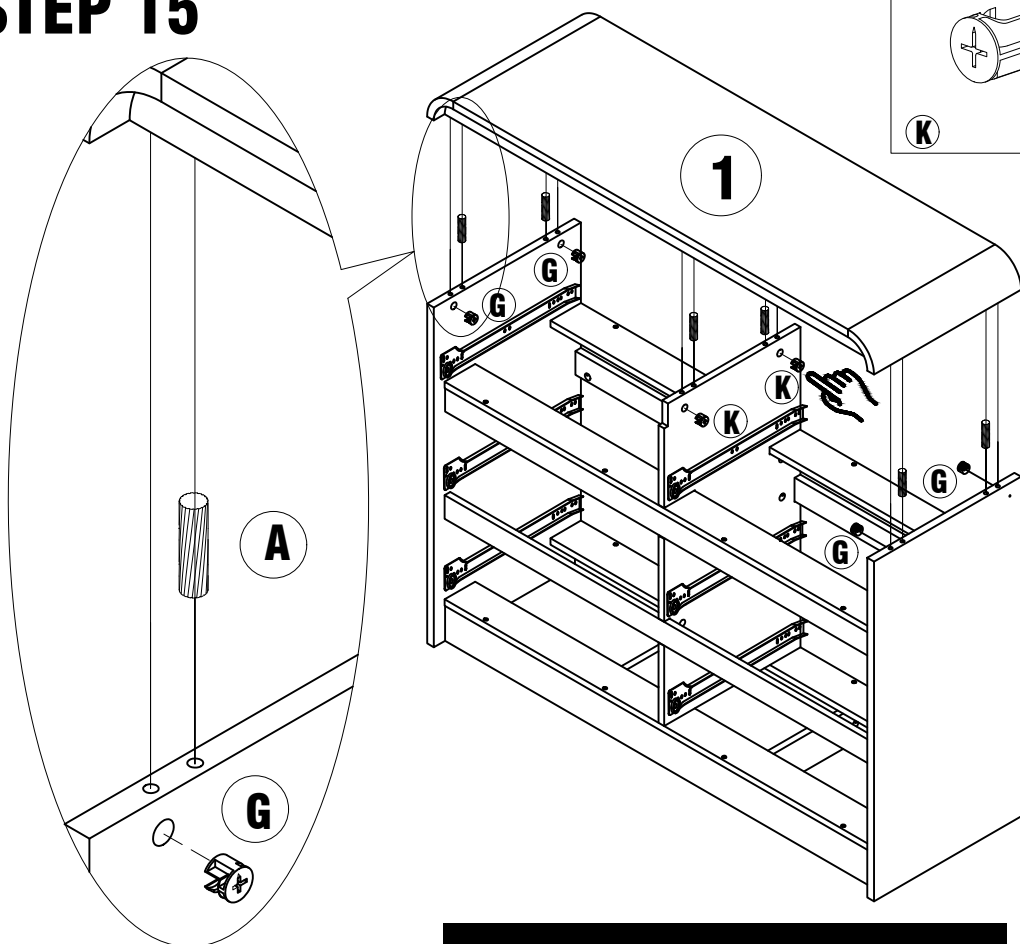
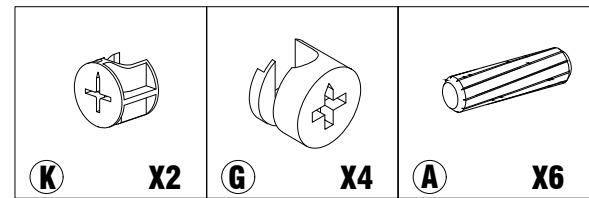
# STEP 13



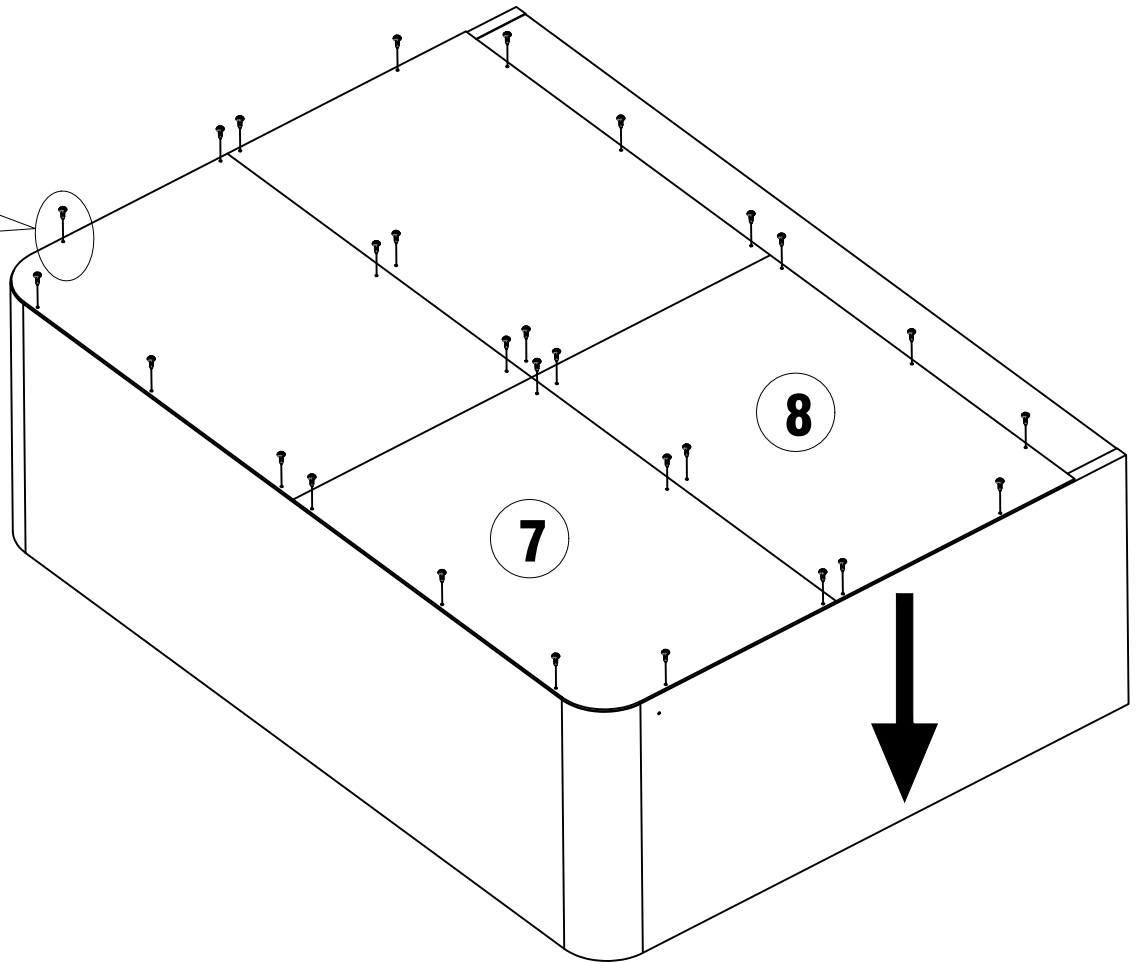
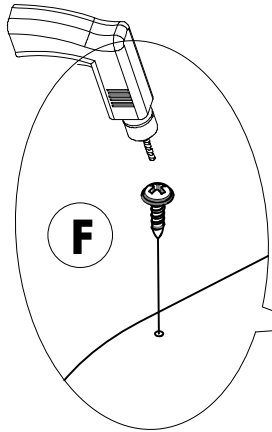
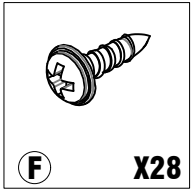
# STEP 14



# STEP 15

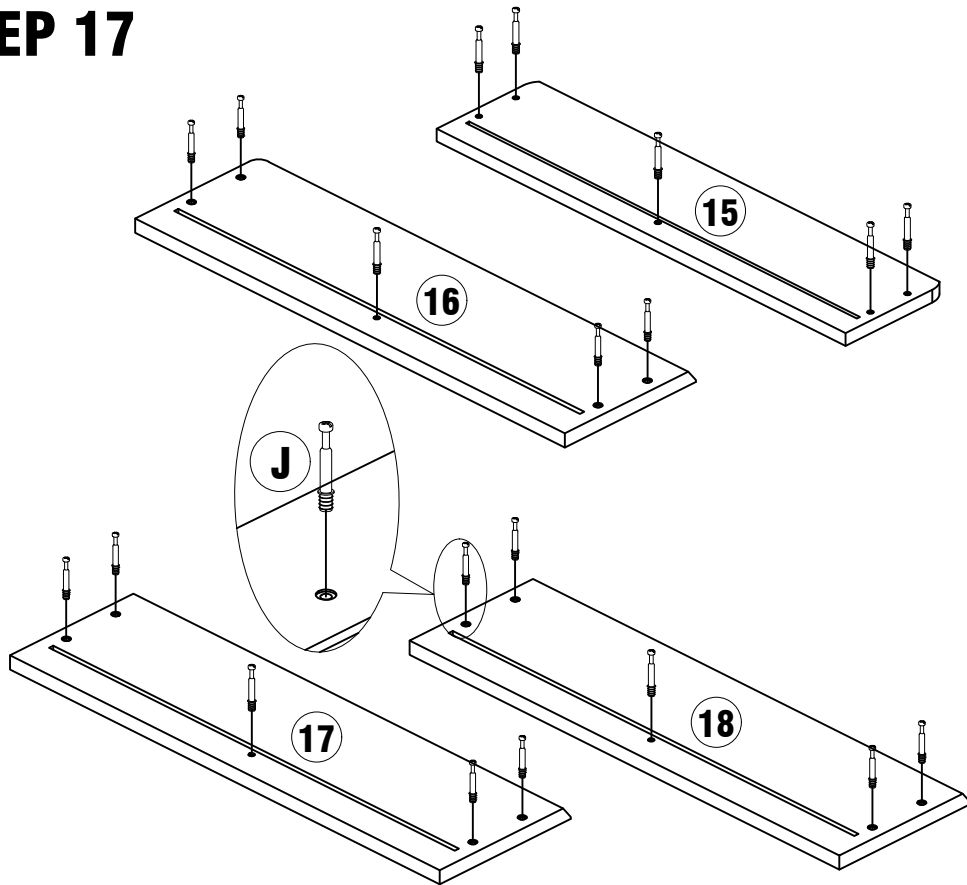
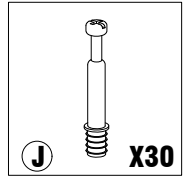


# STEP 16





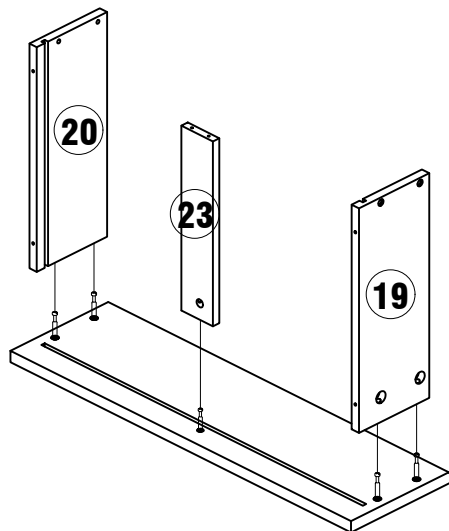
# STEP 17



# X1

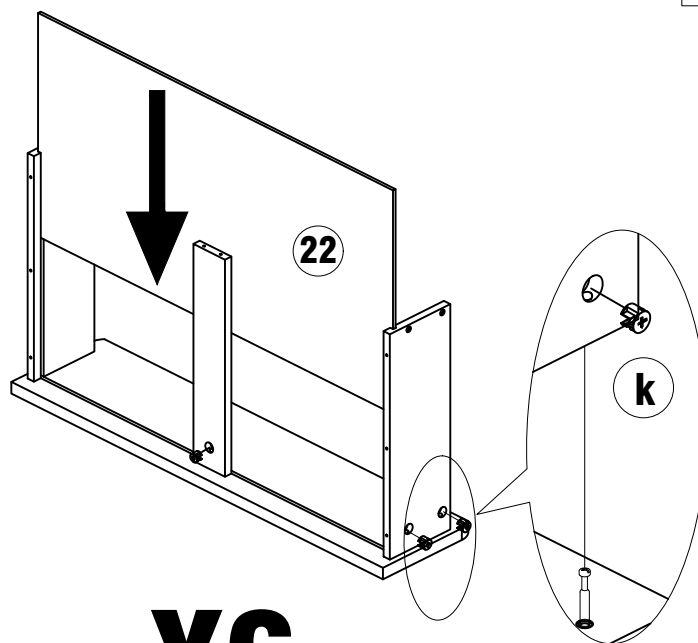
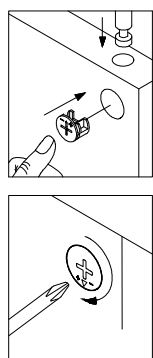
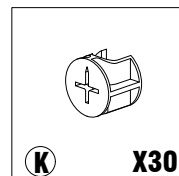
# X2

# STEP 18



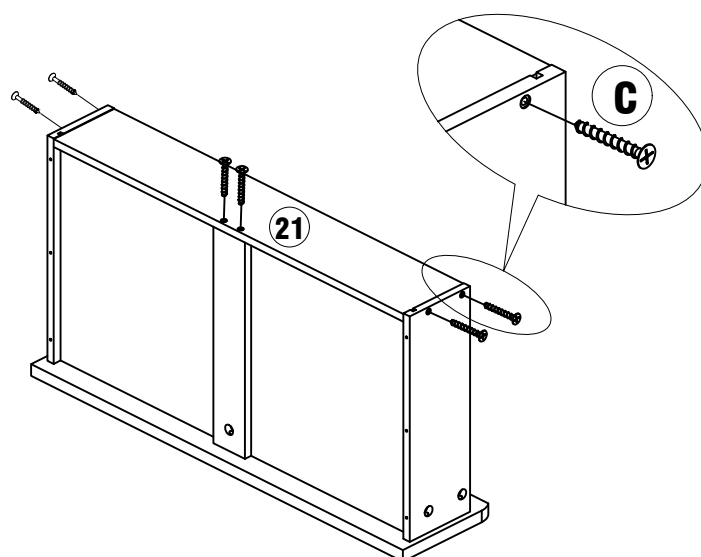
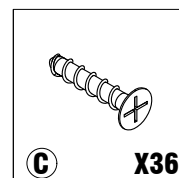
# X6

# STEP 19



# X6

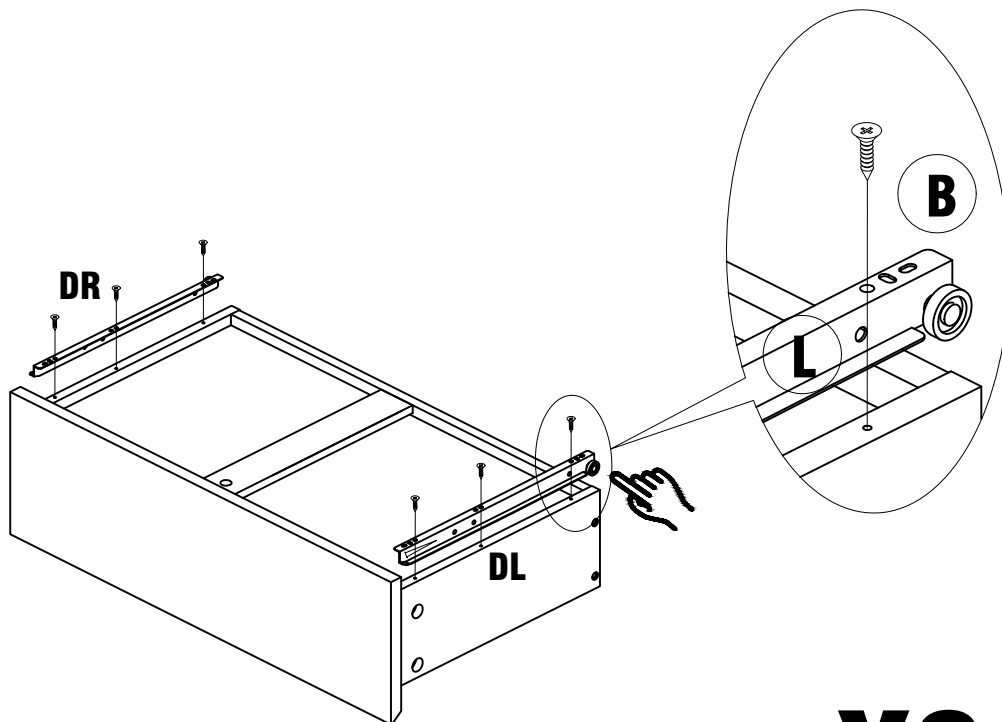
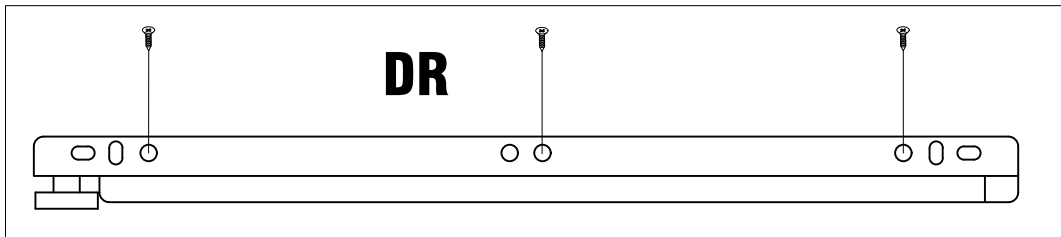
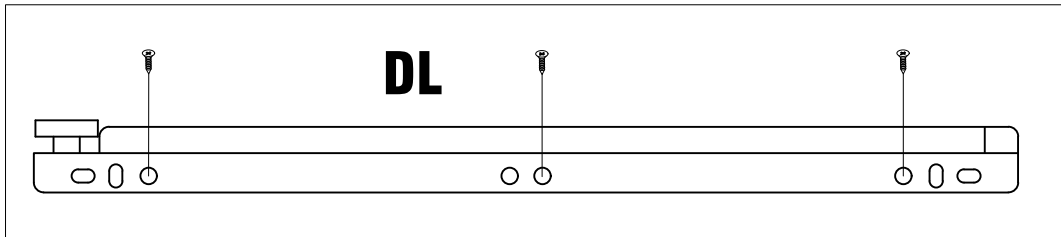
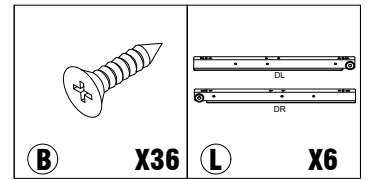
# STEP 20



# X6

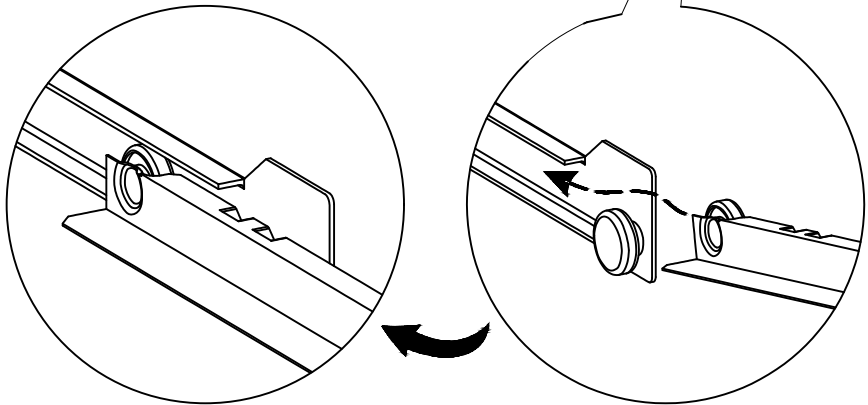
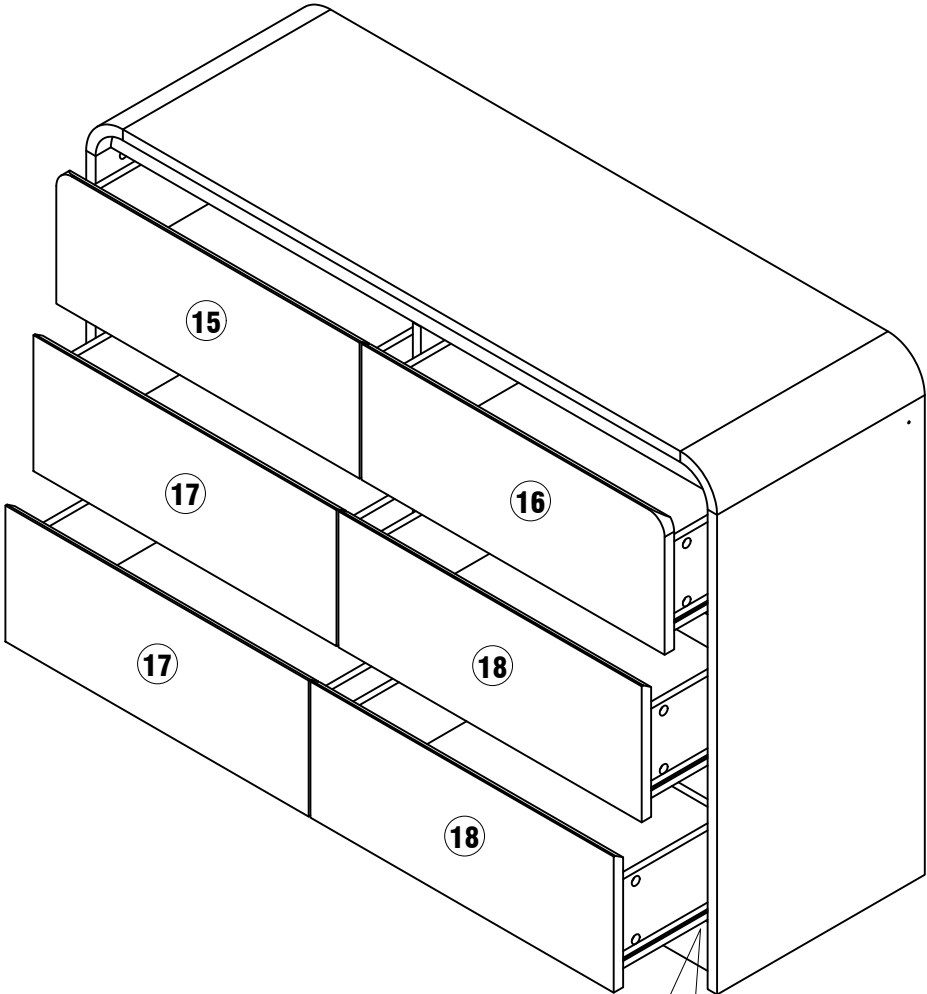


# STEP 21

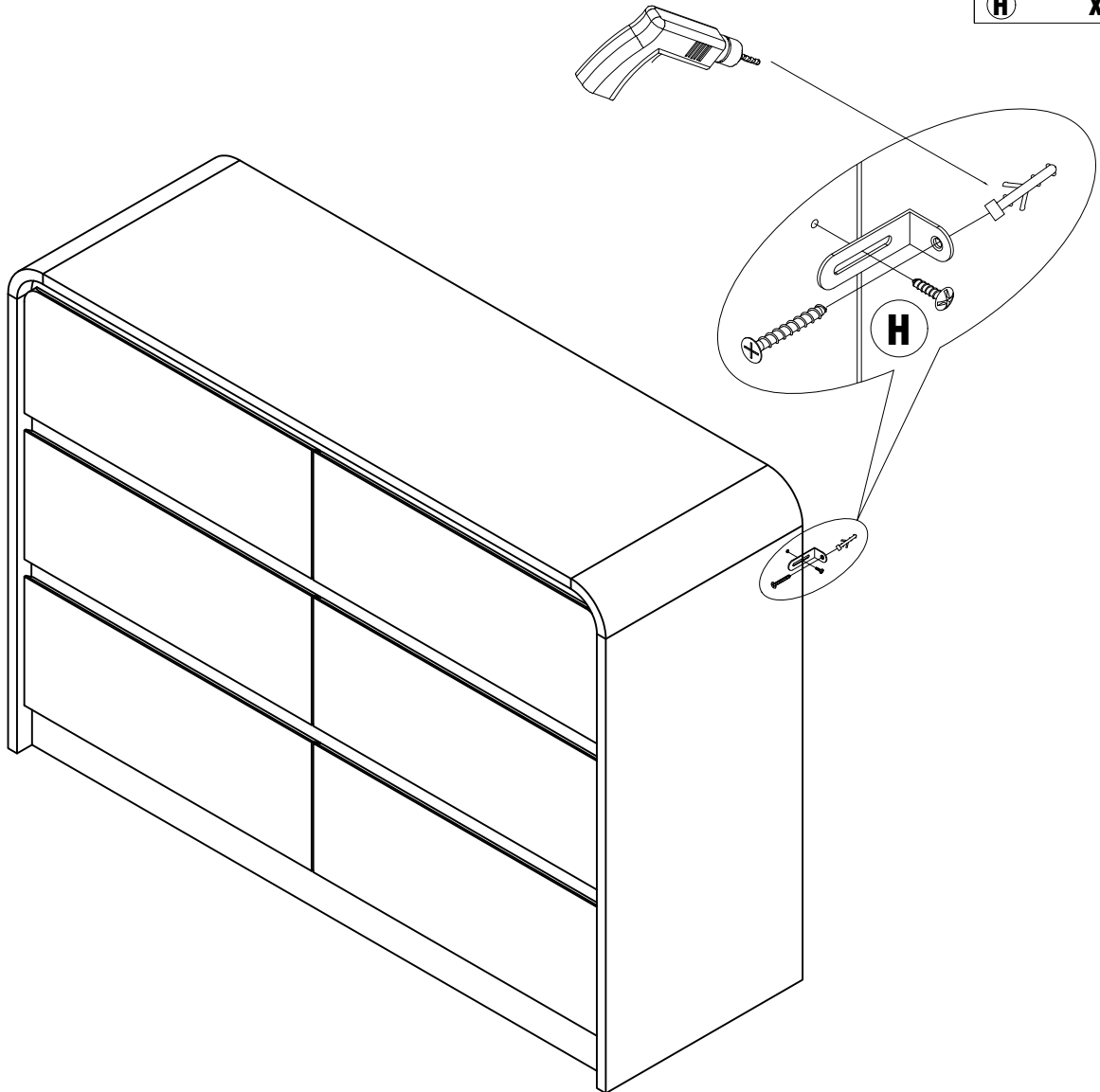
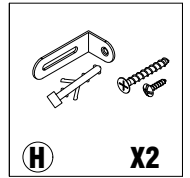


# X6

# STEP 22



# STEP 23



## ⚠ WARNING



**Children have died from furniture tipover. To reduce the risk of furniture tipover:**

- ALWAYS install anti-tip device provided.
- NEVER put a TV on this product.
- NEVER allow children to stand, climb or hang on any drawers, doors, or shelves.
- NEVER open more than one drawer at a time.
- Place heaviest items in the lowest drawers.

*this is a permanent label.  
Do not remove!*

