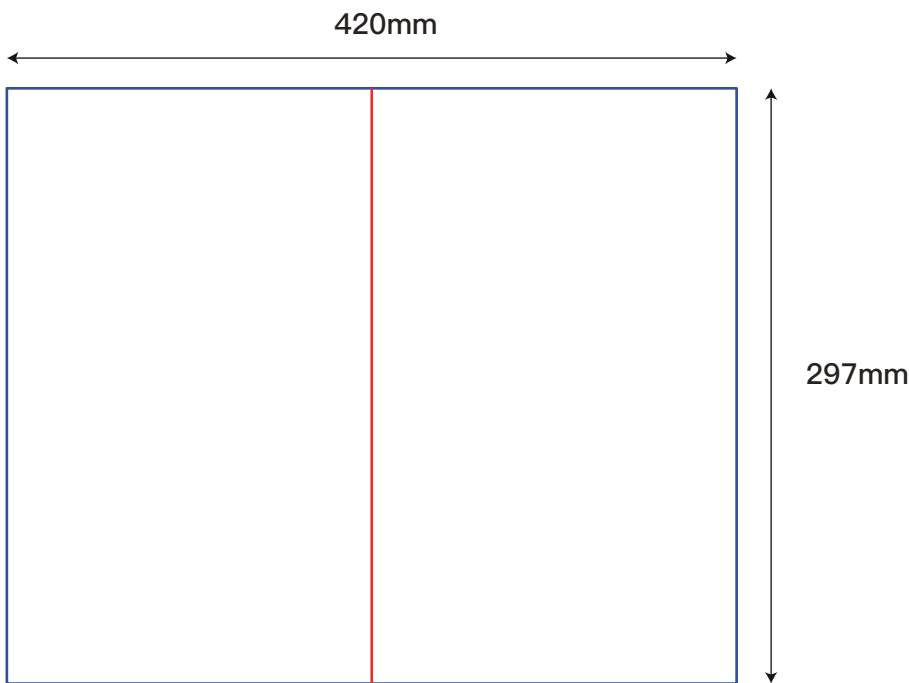


注：此页为技术说明，非印刷内容

A

刀模线：——  
内折线：——

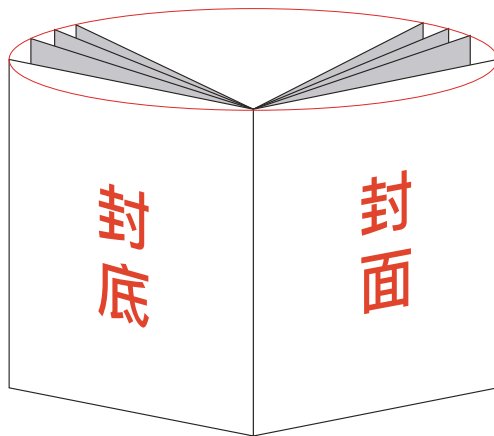
展开尺寸图：



B

C

折页效果图：



D

### 技术要求：

- 1、材质：105g 铜板纸
- 2、展开尺寸：A3，如图所示折叠成型为A4，32P
- 3、颜色：单色
- 4、印刷：印刷图档见后续页，双面印刷
- 4、装订方式：骑马钉

E

符号标识

版本变更



关键尺寸



编号



参考尺寸



(.XXX)

除非另有说明 0-30 ±1 30-150 ±2 150-300 ±3 300-450 ±4 >450 ±5	标记	处数	ECO#	发行时间	名称 HNESD213-120A -说明书-YNLF 图号 材料 规格	PLM号	860-03921-00		
	设计			PM		投影法	第一角投影法		
	绘图		KK	日期		25.06.24			
	审批		Tansy	日期			版本	重量G	比例
除去所有利边，尖点，毛刺						V0			
						共 33 页		第 1 页	
						倍思奇创新科技 (深圳) 股份有限公司			

1

2

3

4

A

B

C

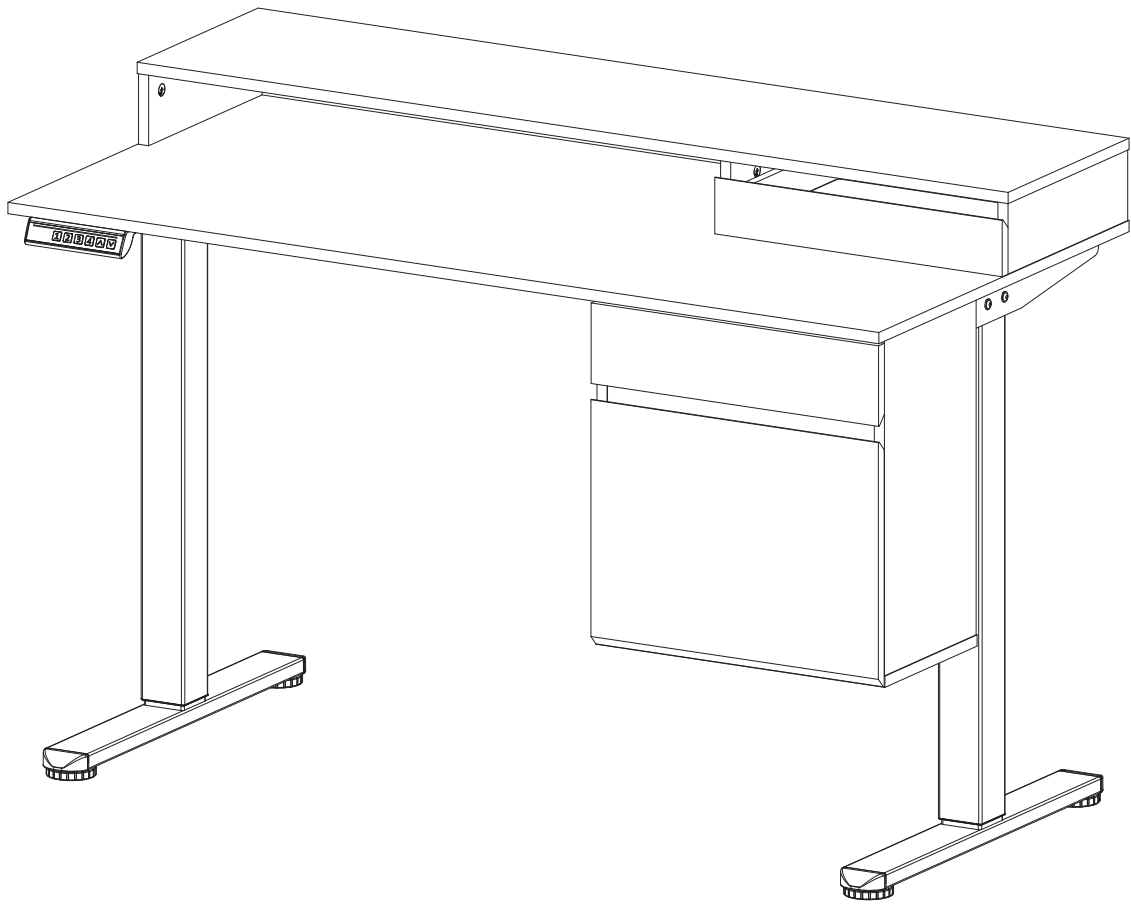
D

E

F

# Electric Standing Desk

Perle design-Series

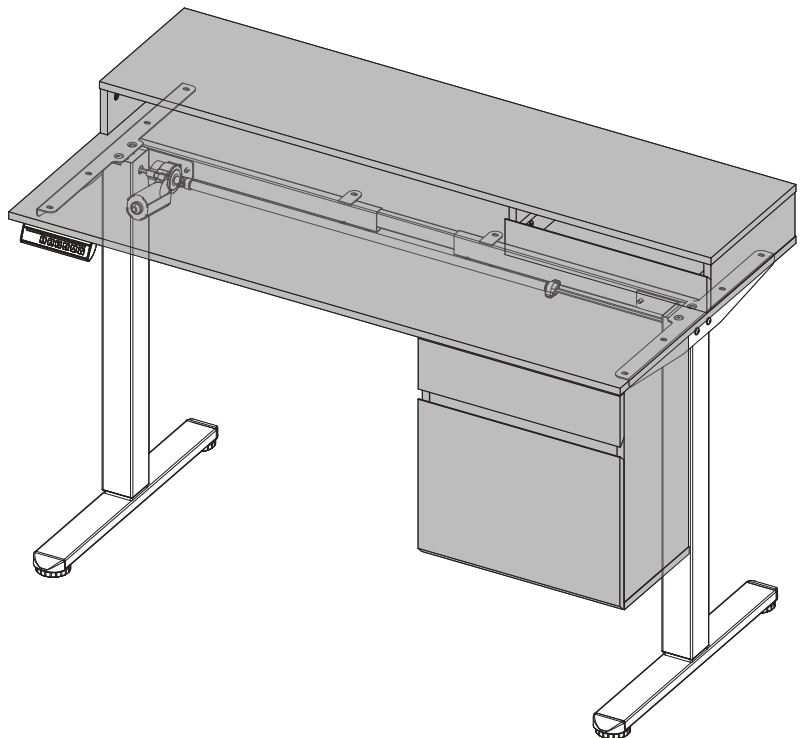
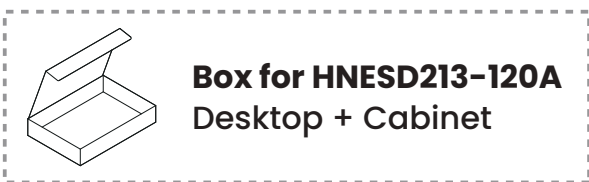
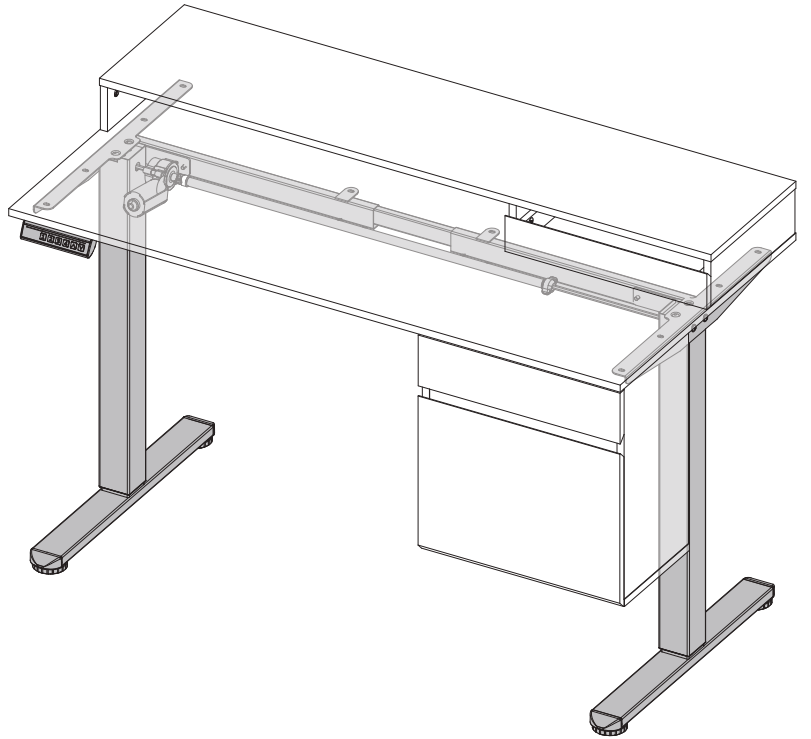


**HNESD213-120A**

support@bsqworld.com

## Note

The product is packed into two separate parcels. Please make sure both parcels are received before assembly. To assemble, follow the instruction manual for HNESD213-120A.





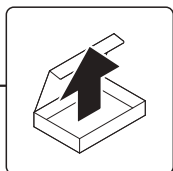
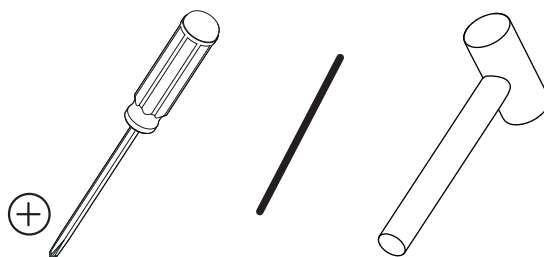
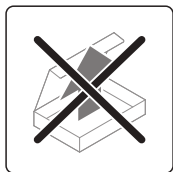
Height Adjustment Range  
28.3–46.5" (72–118cm)



Power Input  
100V–240V



Max. Speed  
20mm/s



**Accessories contained in box for HNESD217**



M6 x 11mm  
**A** x 22



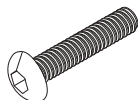
M8 x 12mm  
**B** x 4



M6 x 12mm  
**C** x 2



M5 x 12mm  
**D** x 2



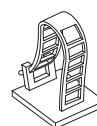
M6 x 35mm  
**E** x 8



3/16" (5mm)  
**F** x 1

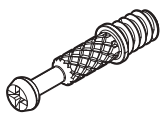


5/64" (2mm)  
**G** x 1



**H** x 2

**Accessories contained in box for HNESD213–120A**



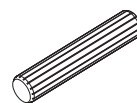
Ø6 x 35mm  
**I** x 34



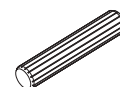
Ø15 x 11mm  
**J1** x 22



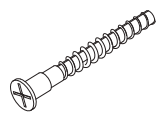
Ø15 x 9mm  
**J2** x 12



Ø8 x 30mm  
**K1** x 36



Ø6 x 30mm  
**K2** x 8



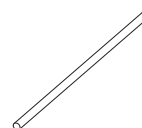
Ø6 x 50mm  
**L** x 14



Ø4 x 38mm  
**M** x 12



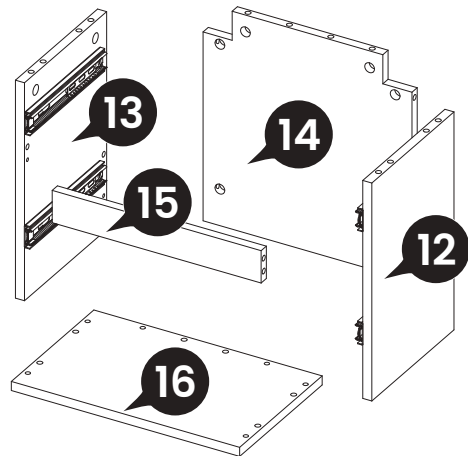
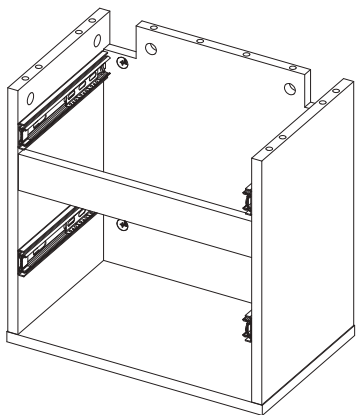
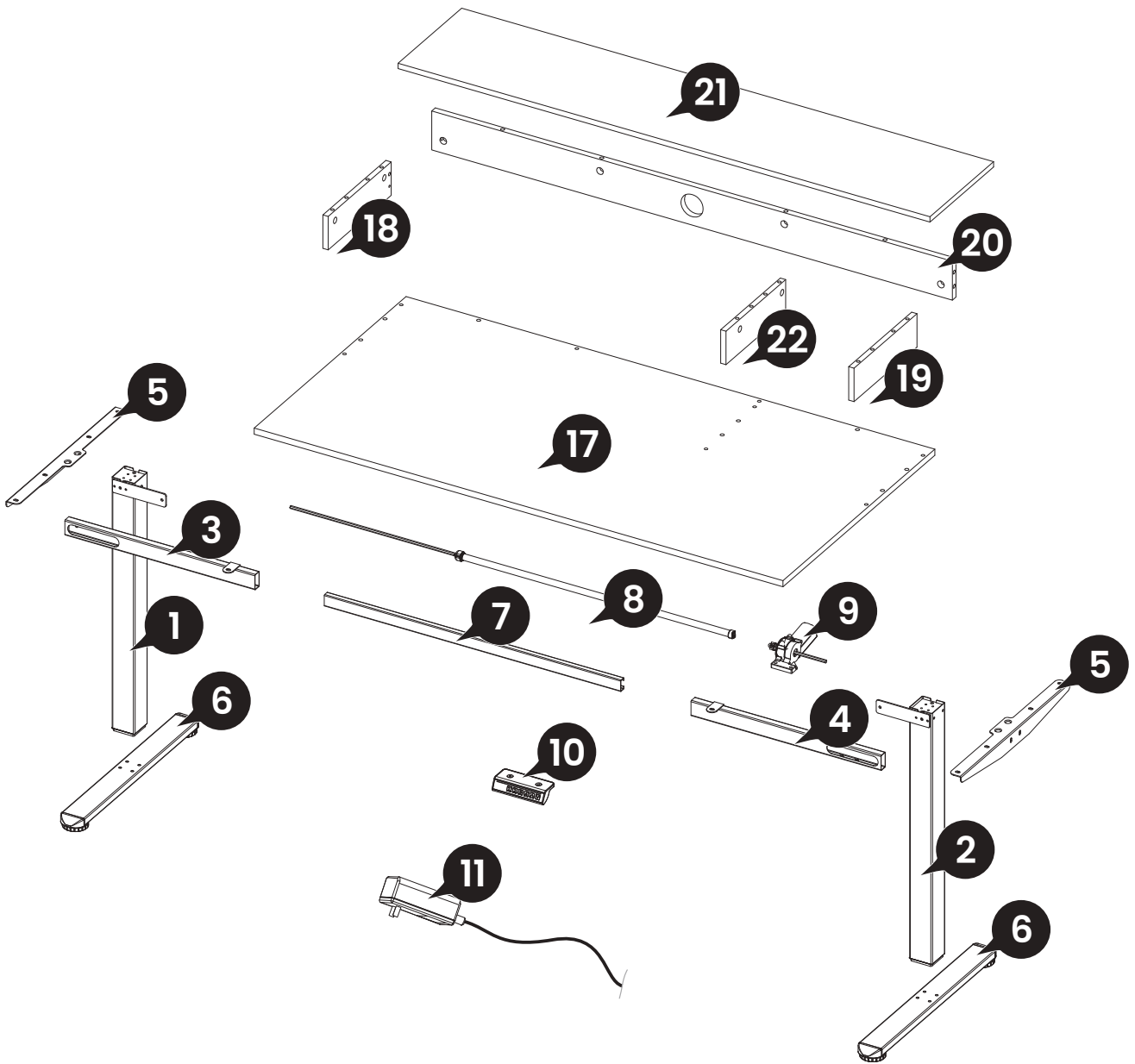
**N** x 1

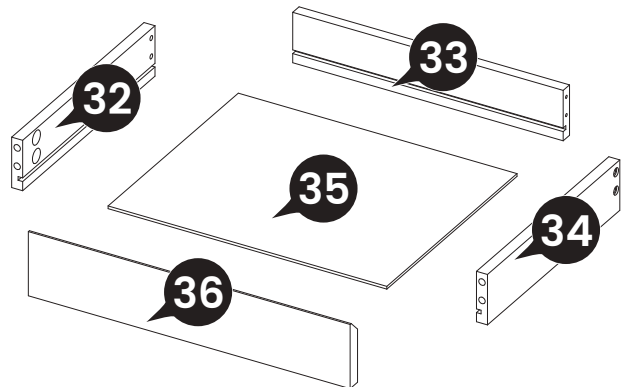
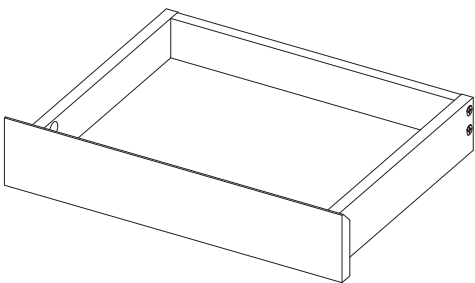
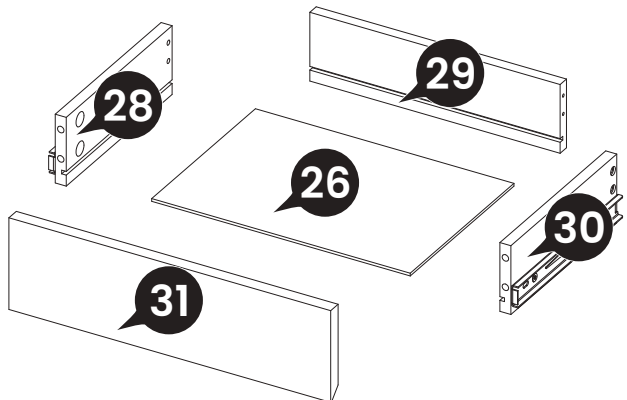
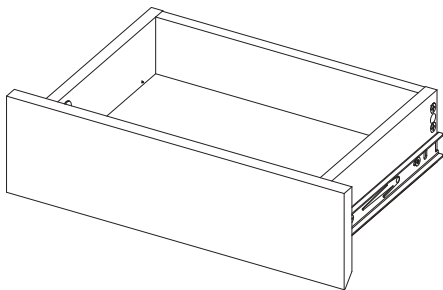
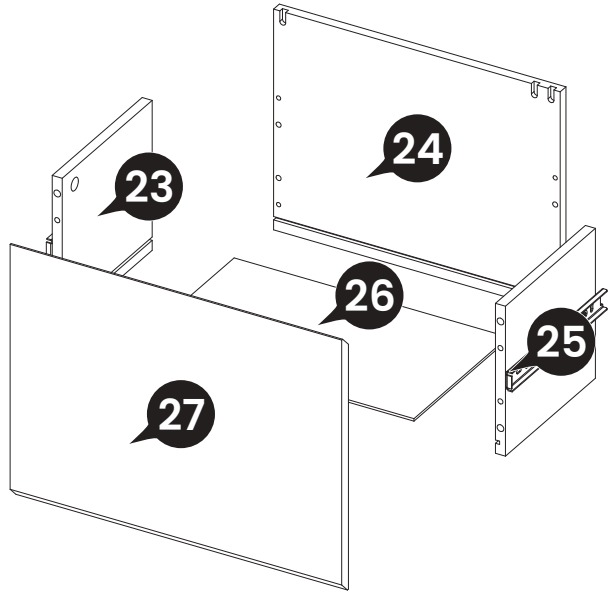
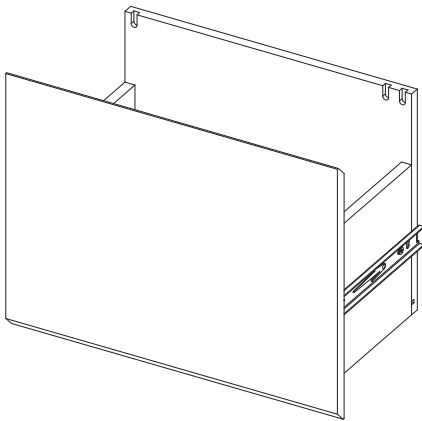


**O** x 2



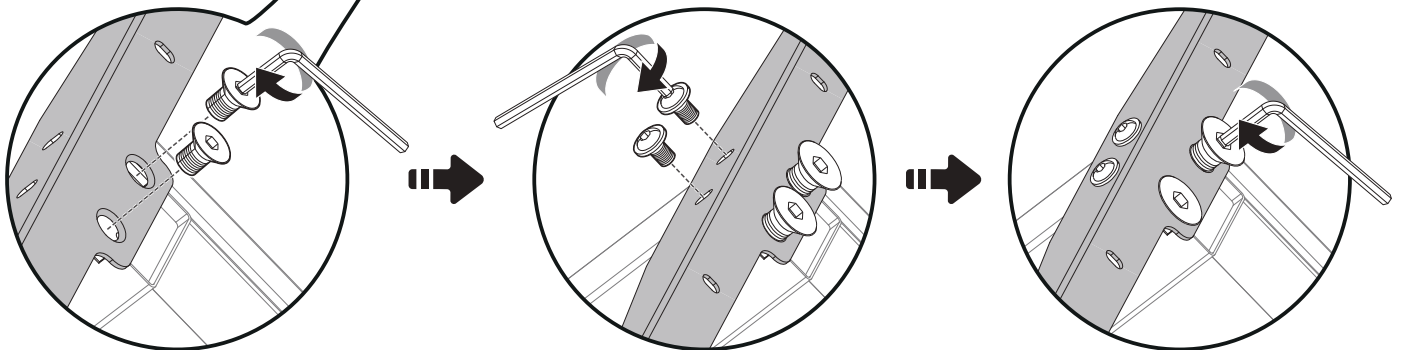
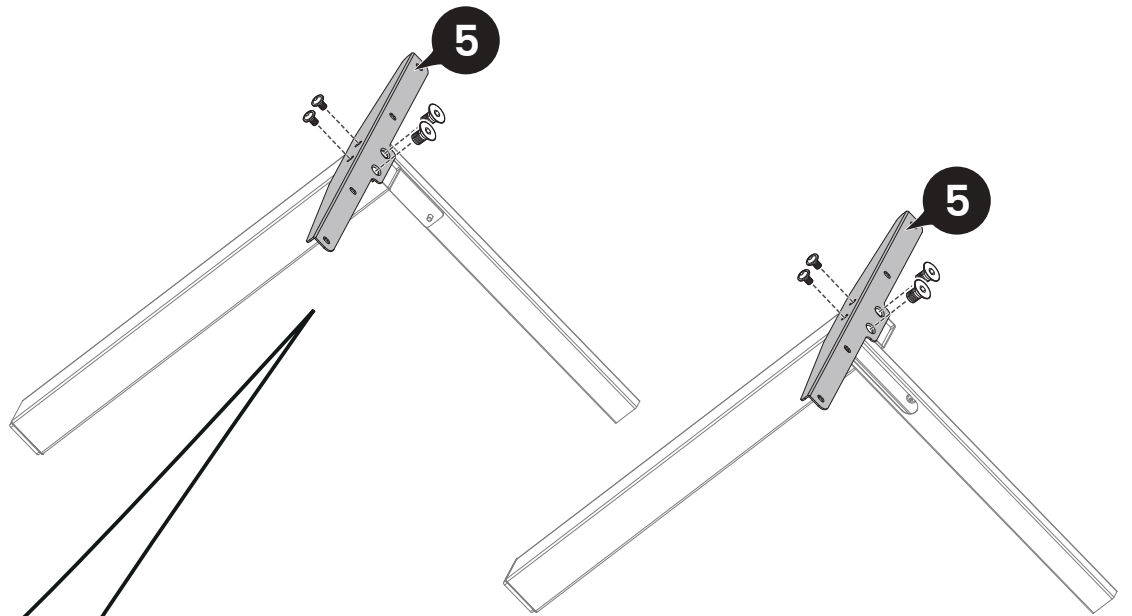
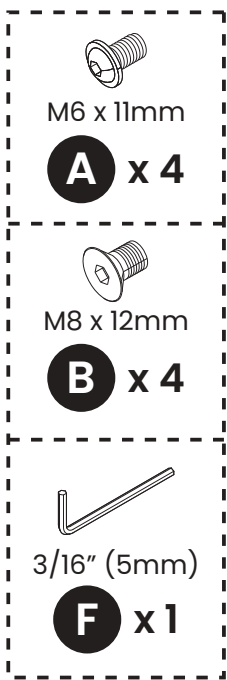
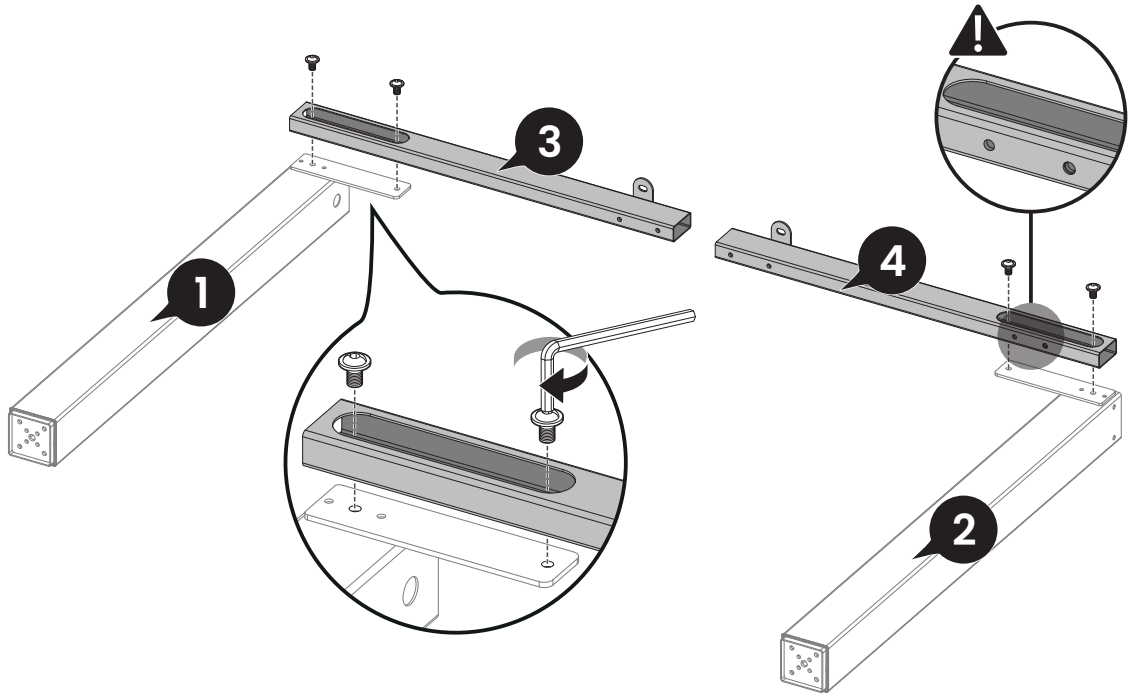
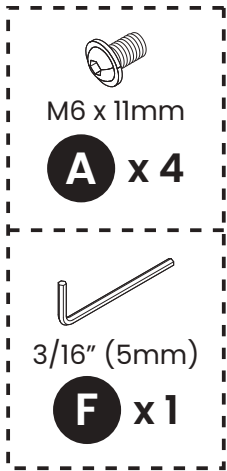
support@bsqworld.com

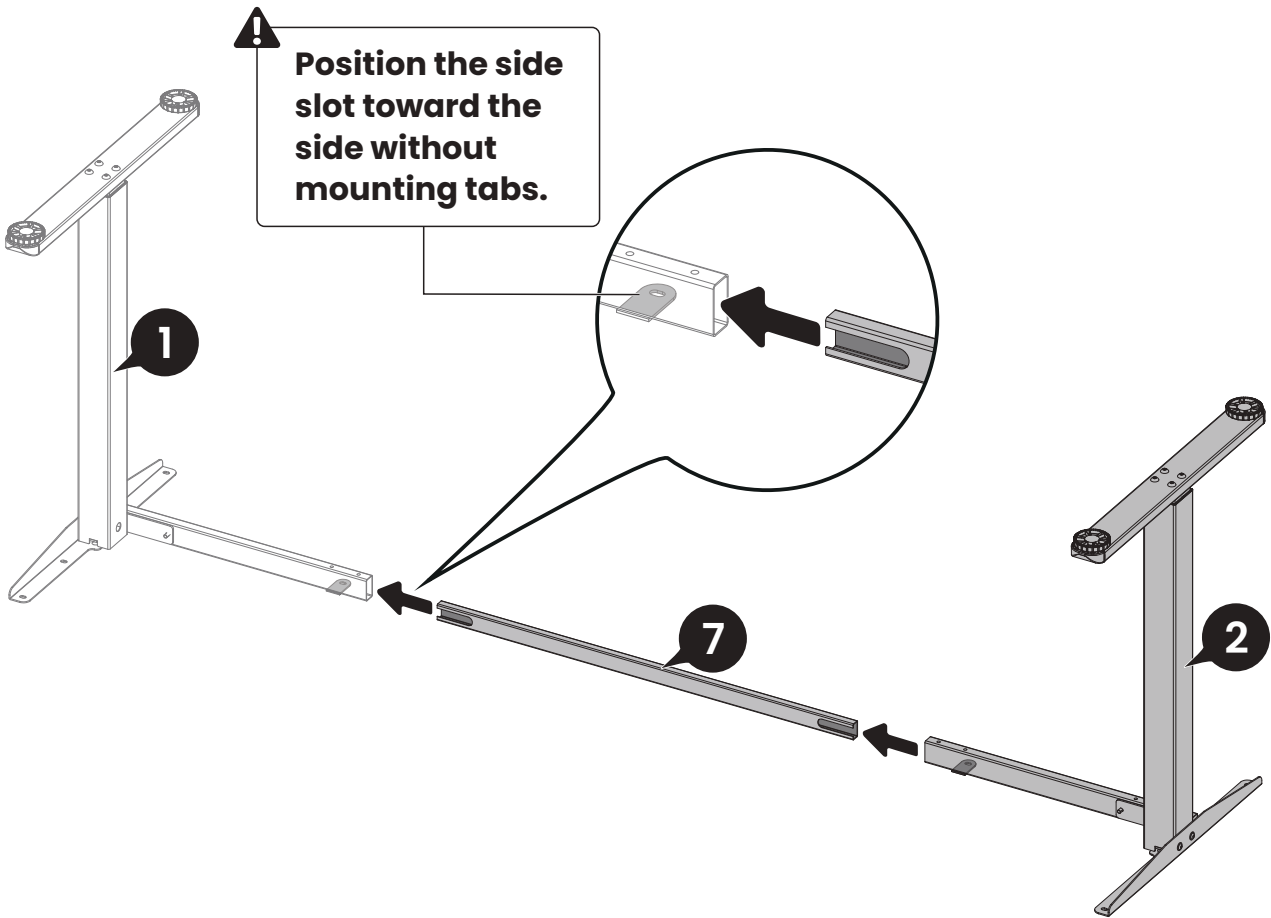
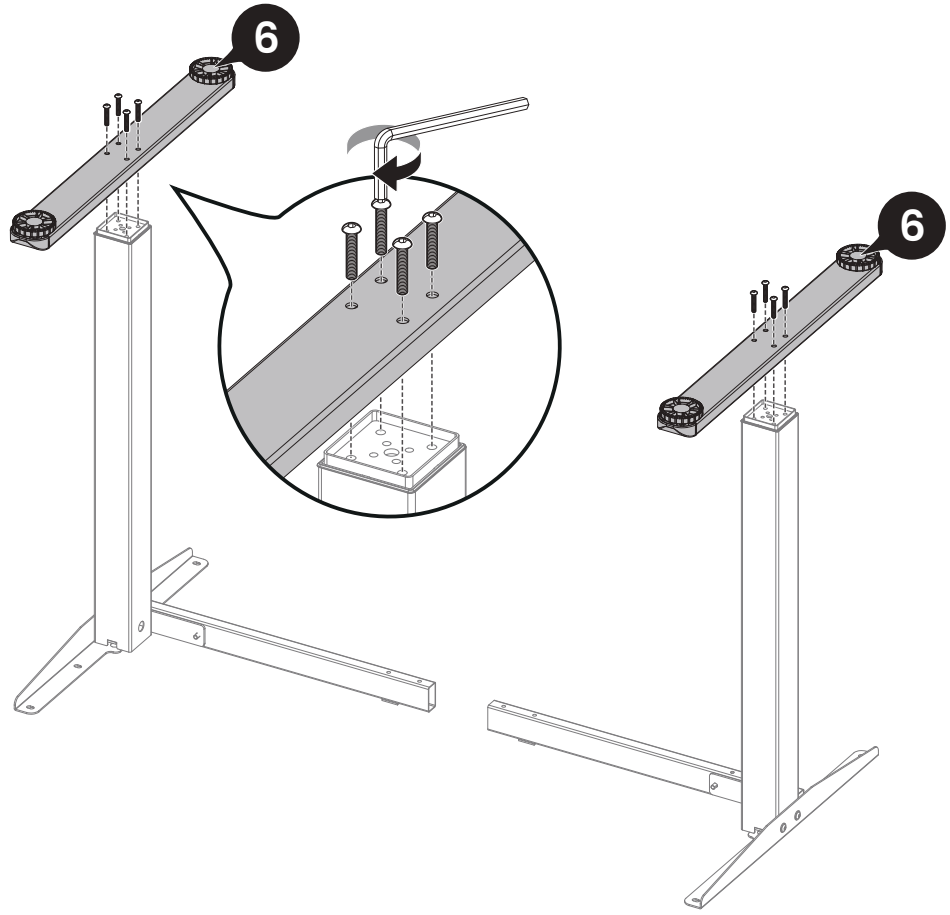
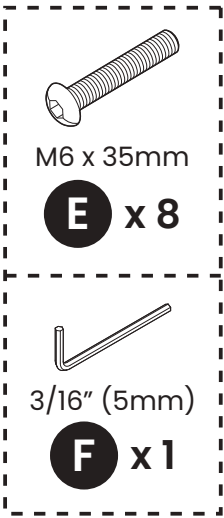




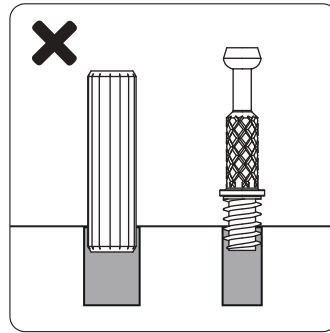
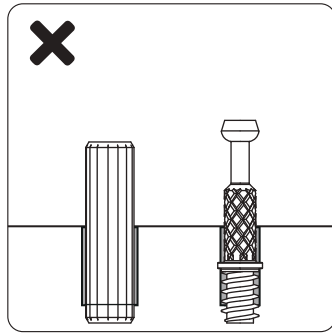
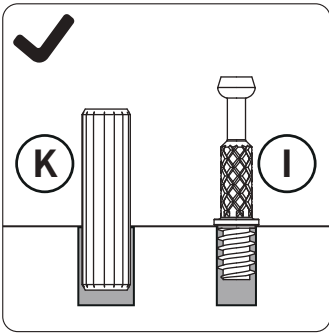
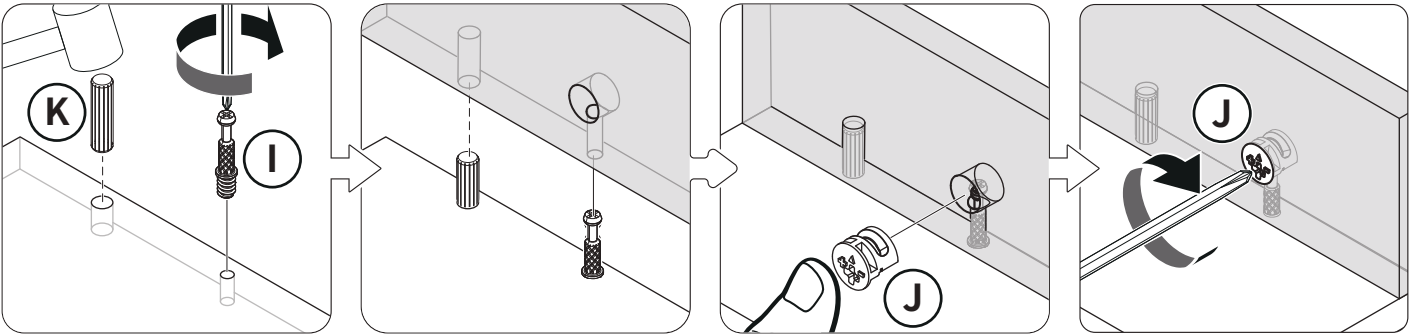
# 1

## Assembling the Frame



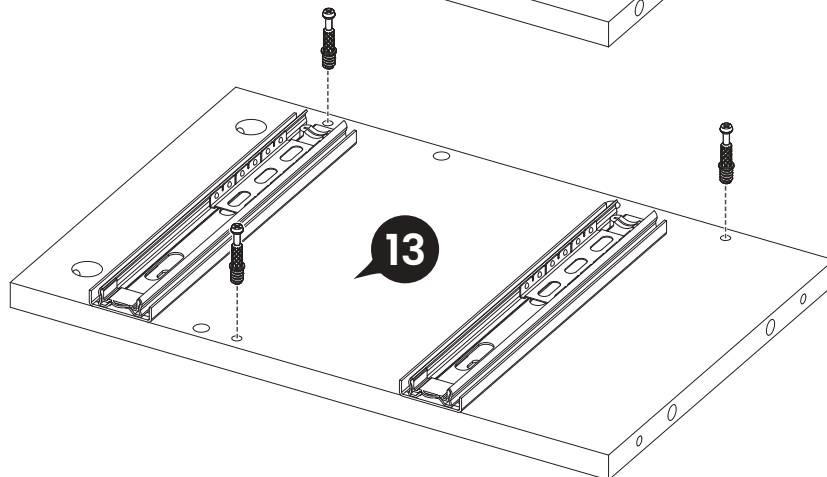
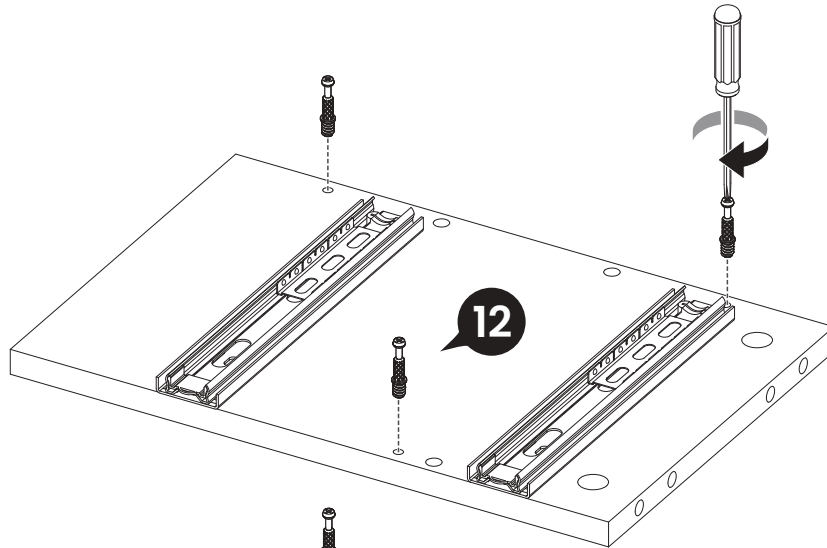
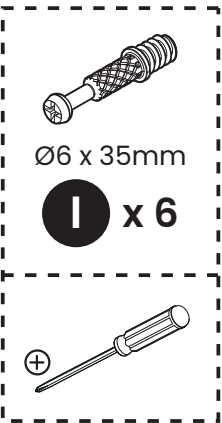


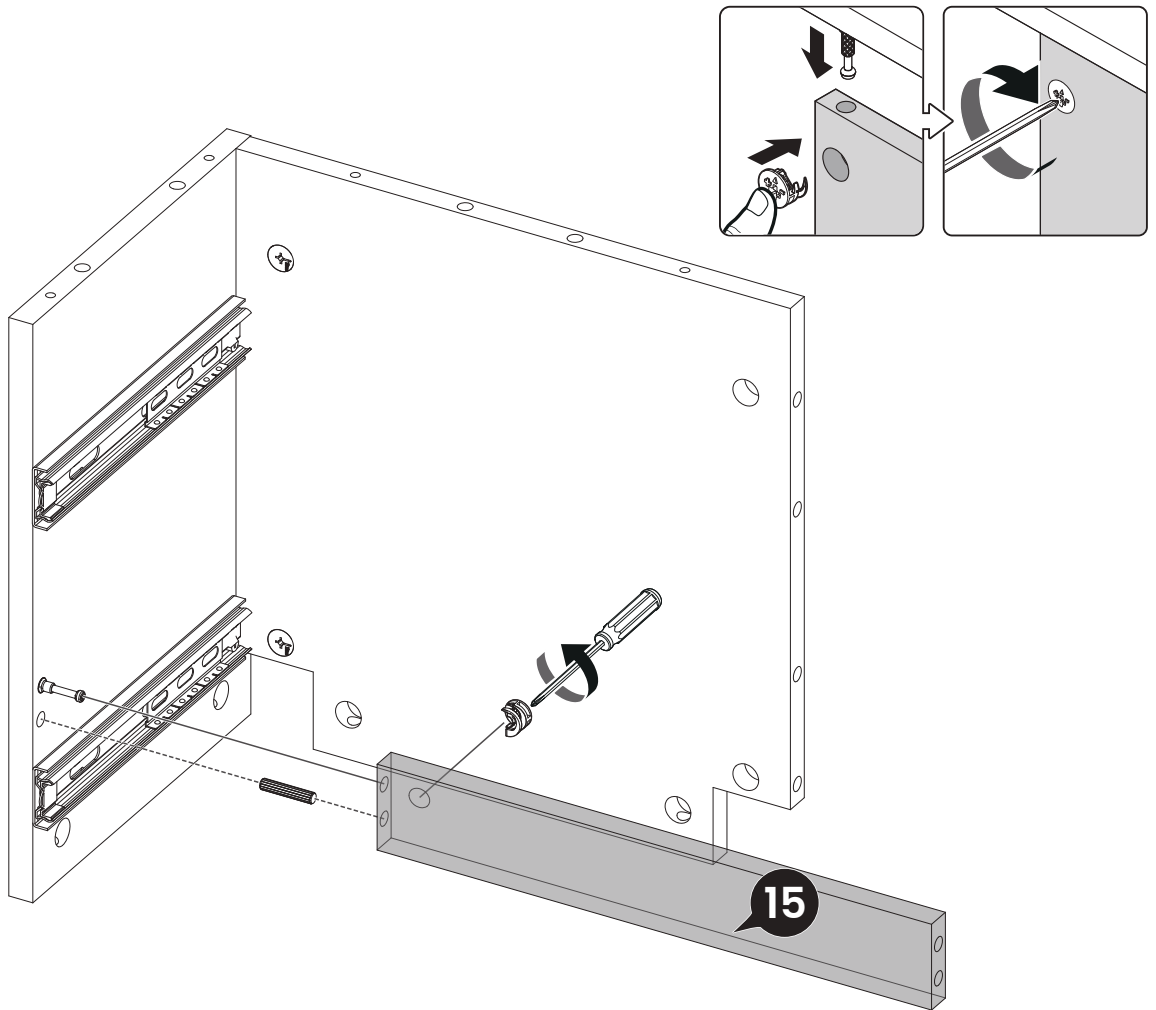
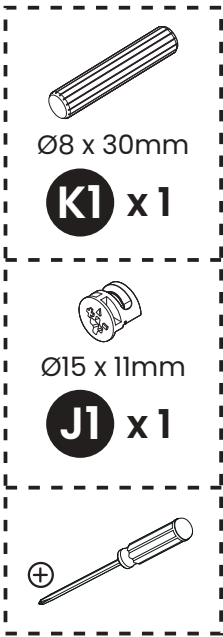
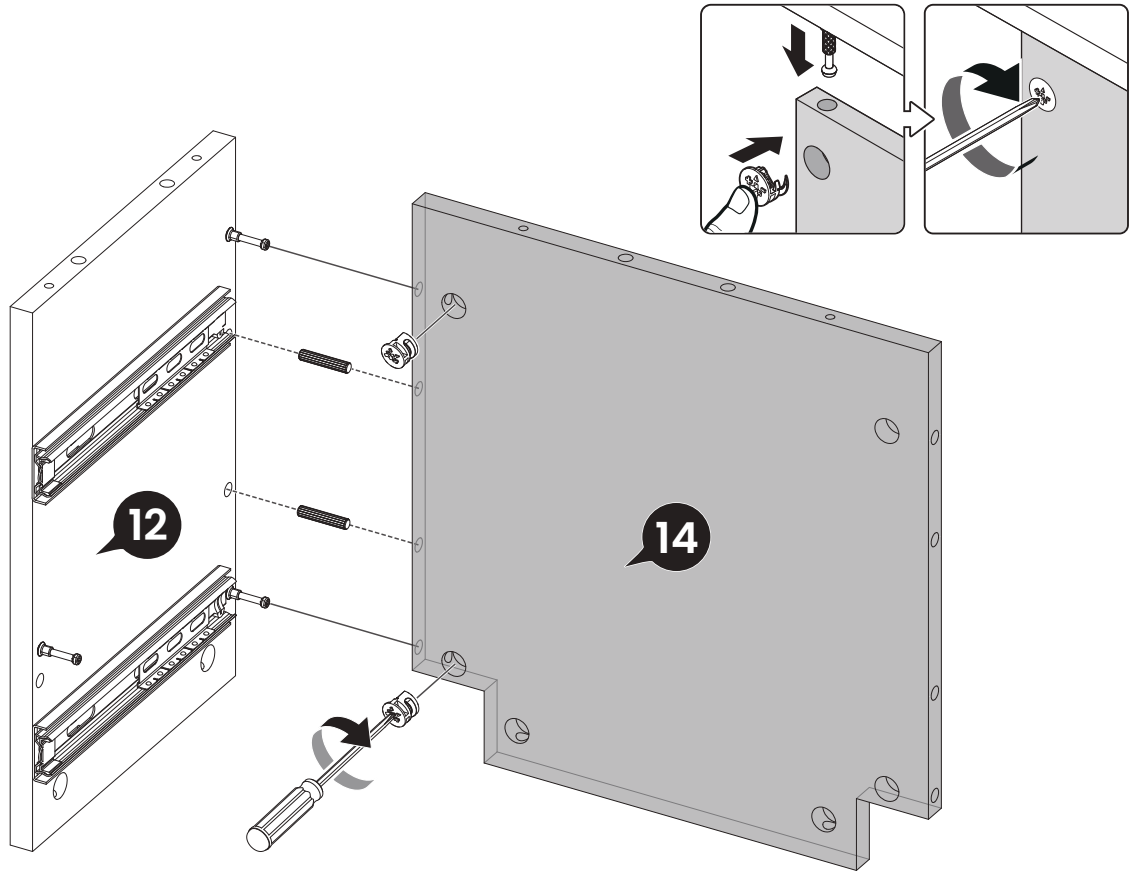
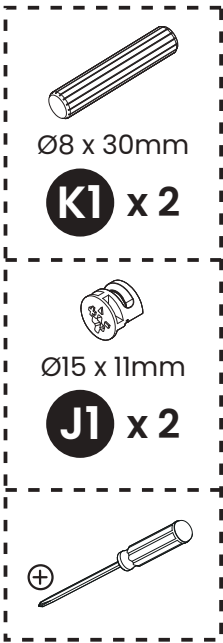
# Installation Guide

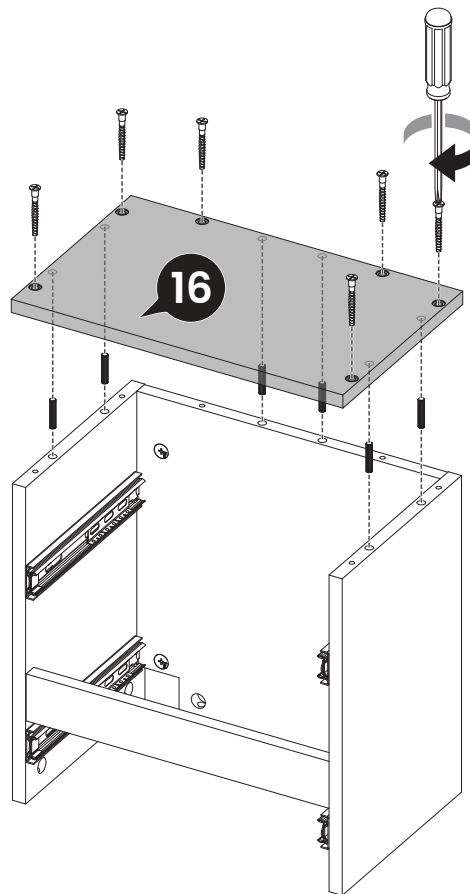
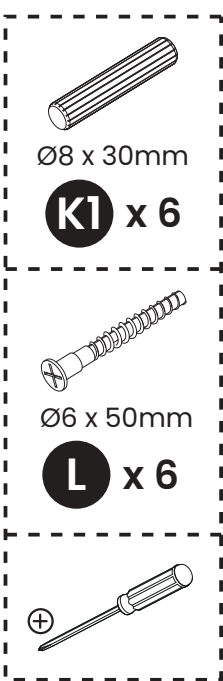
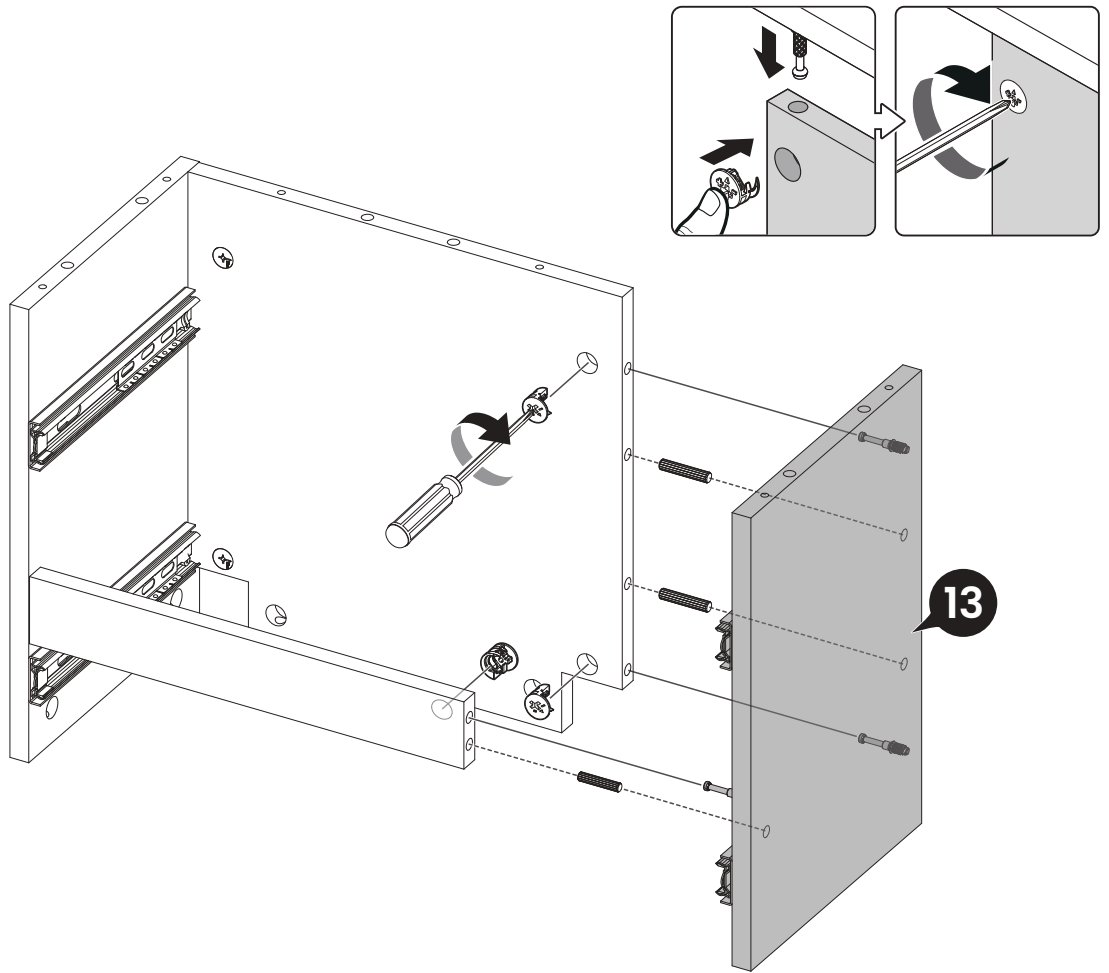
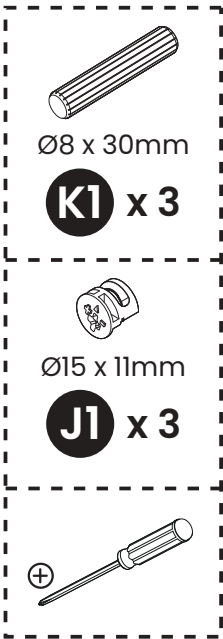


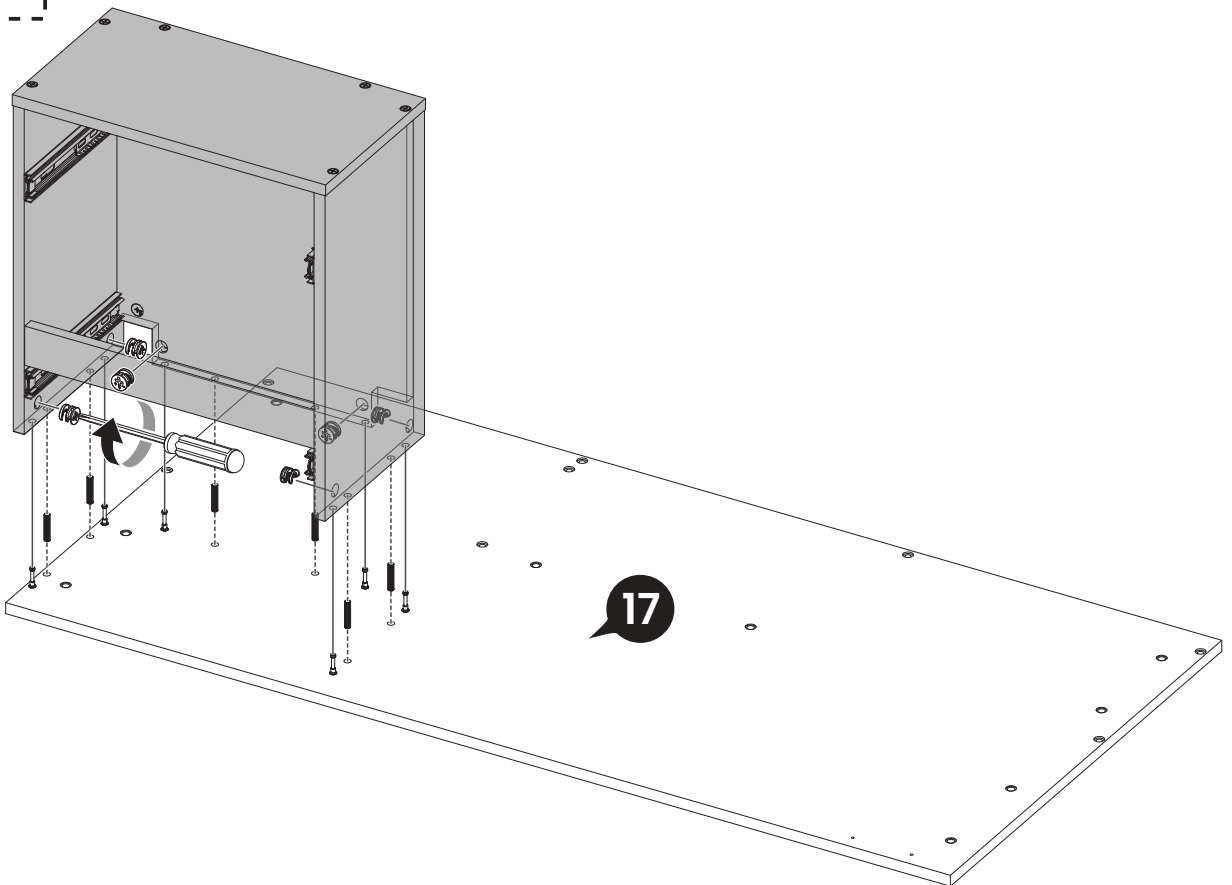
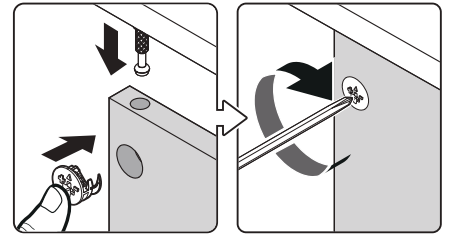
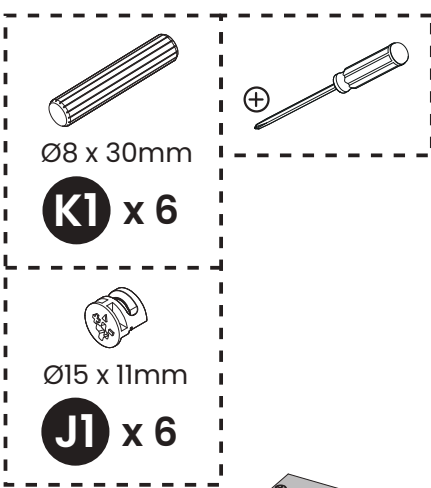
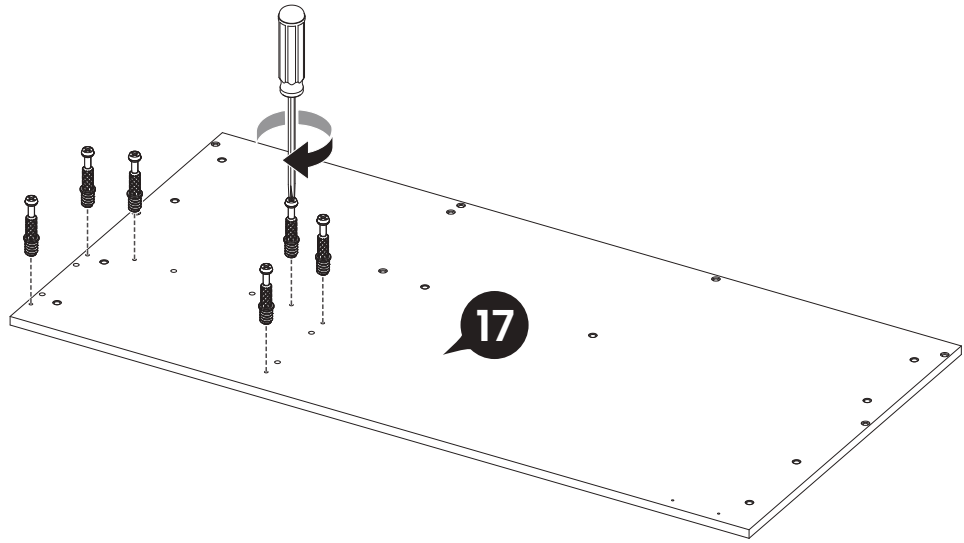
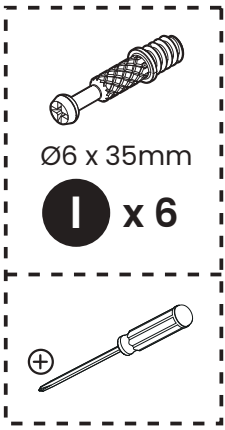
## 2

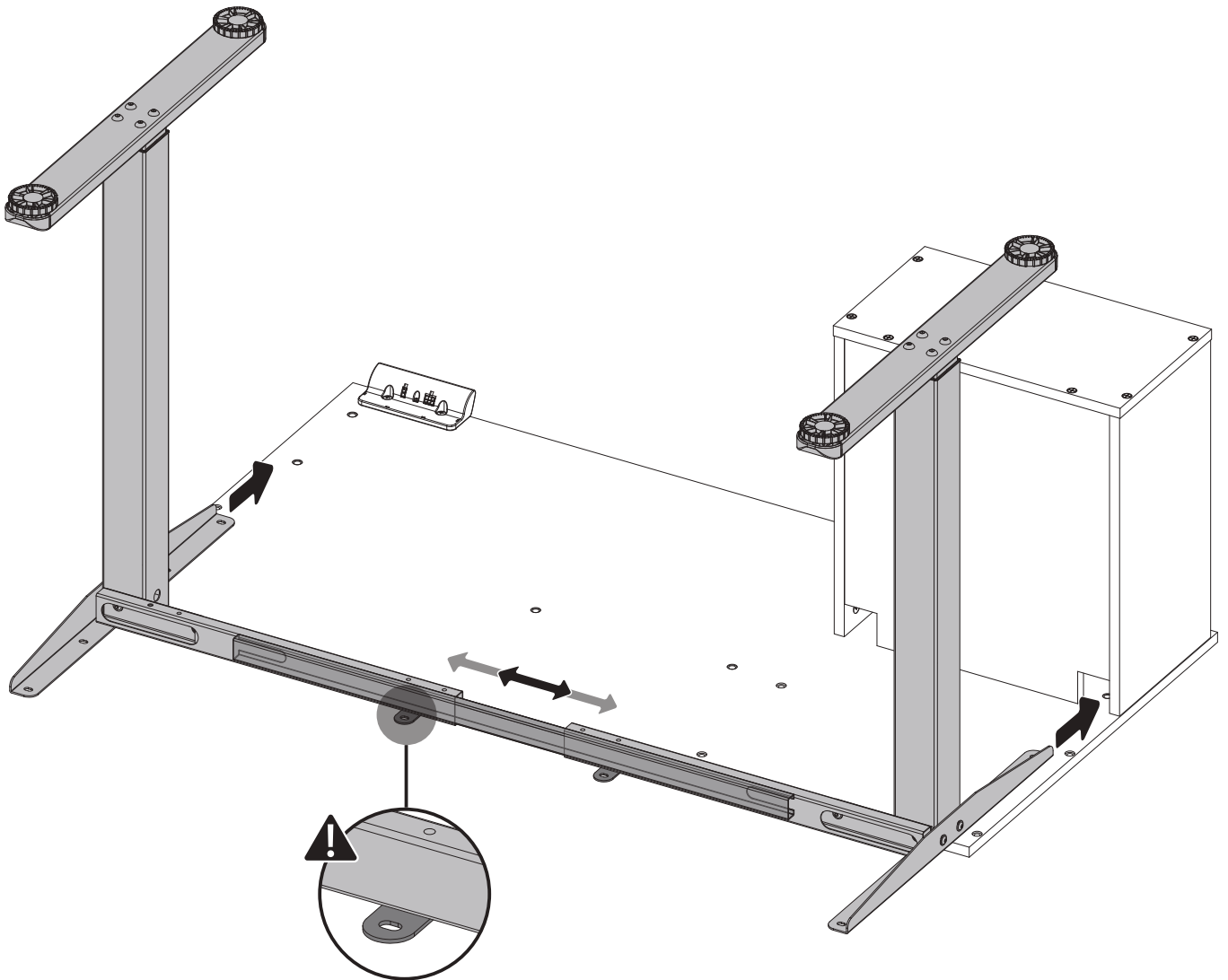
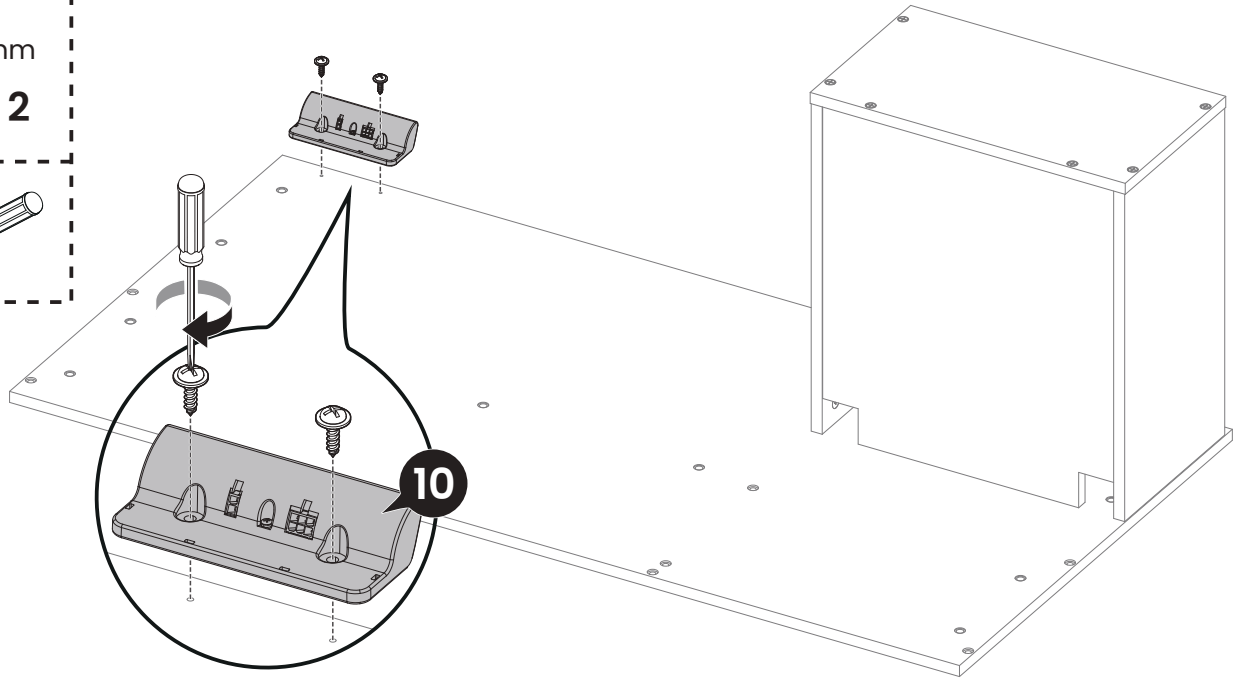
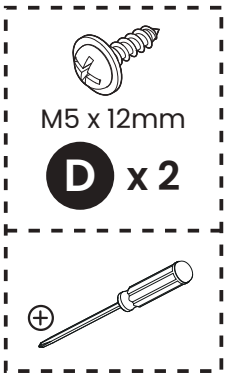
## Attaching the Desktop and Other Parts





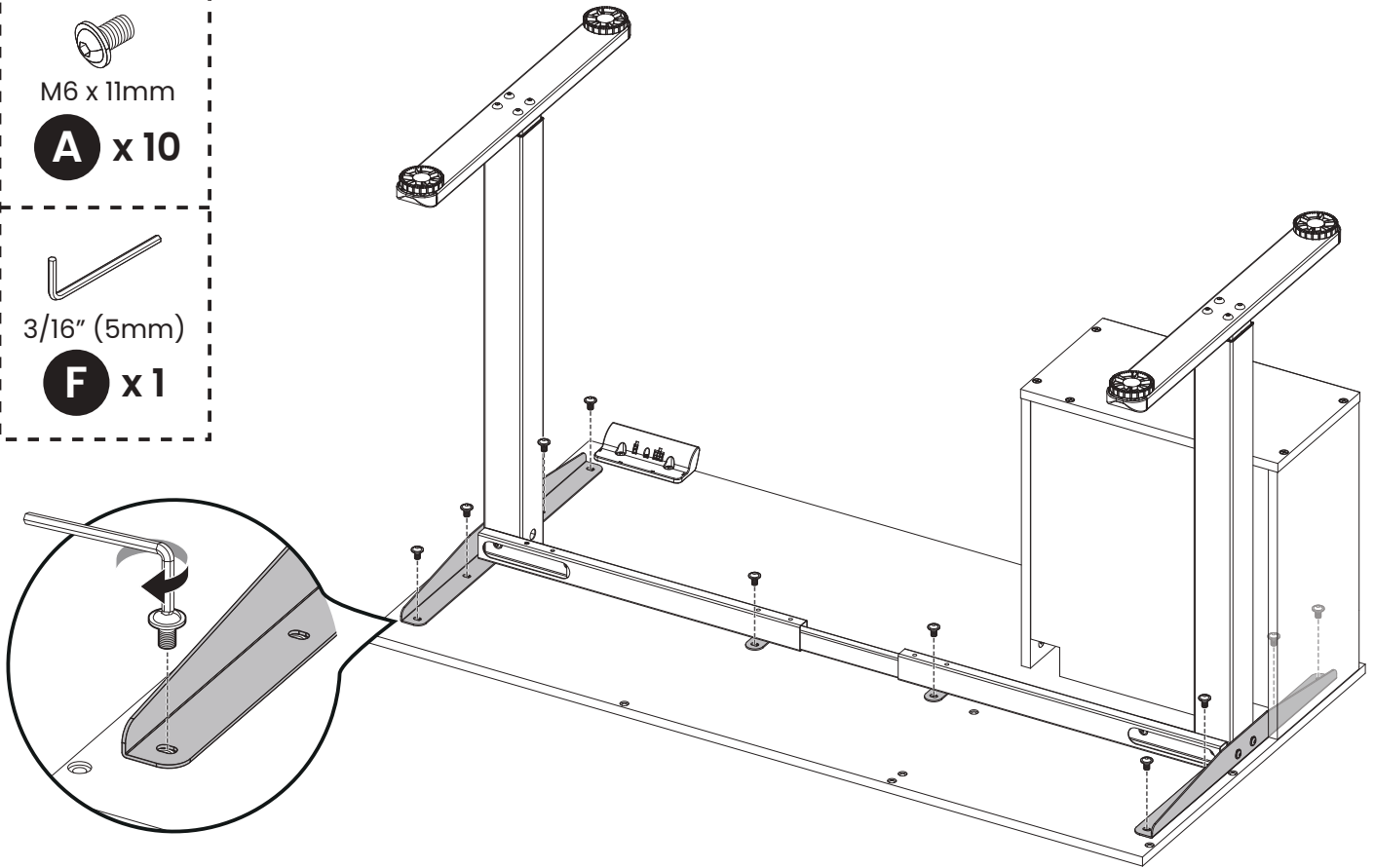






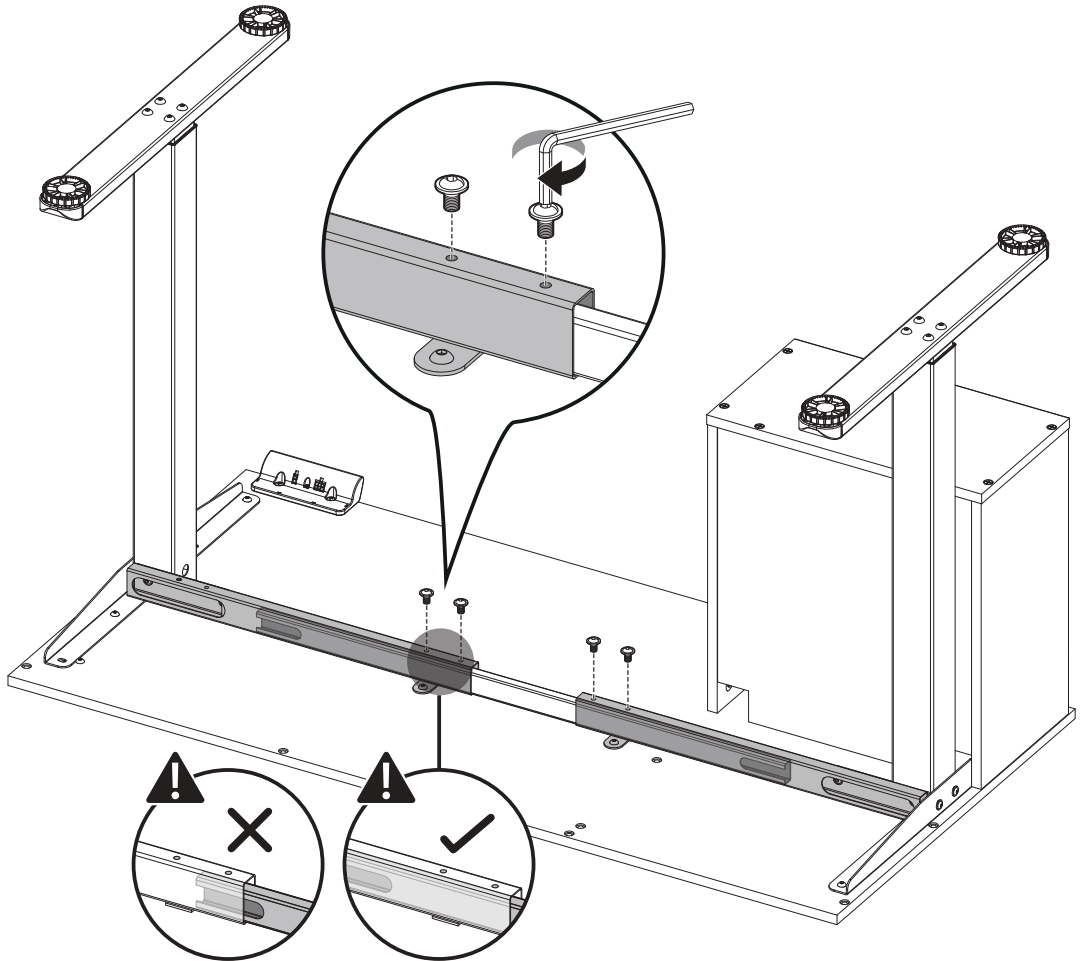




-  M6 x 11mm
- A** x 10
-  3/16" (5mm)
- F** x 1

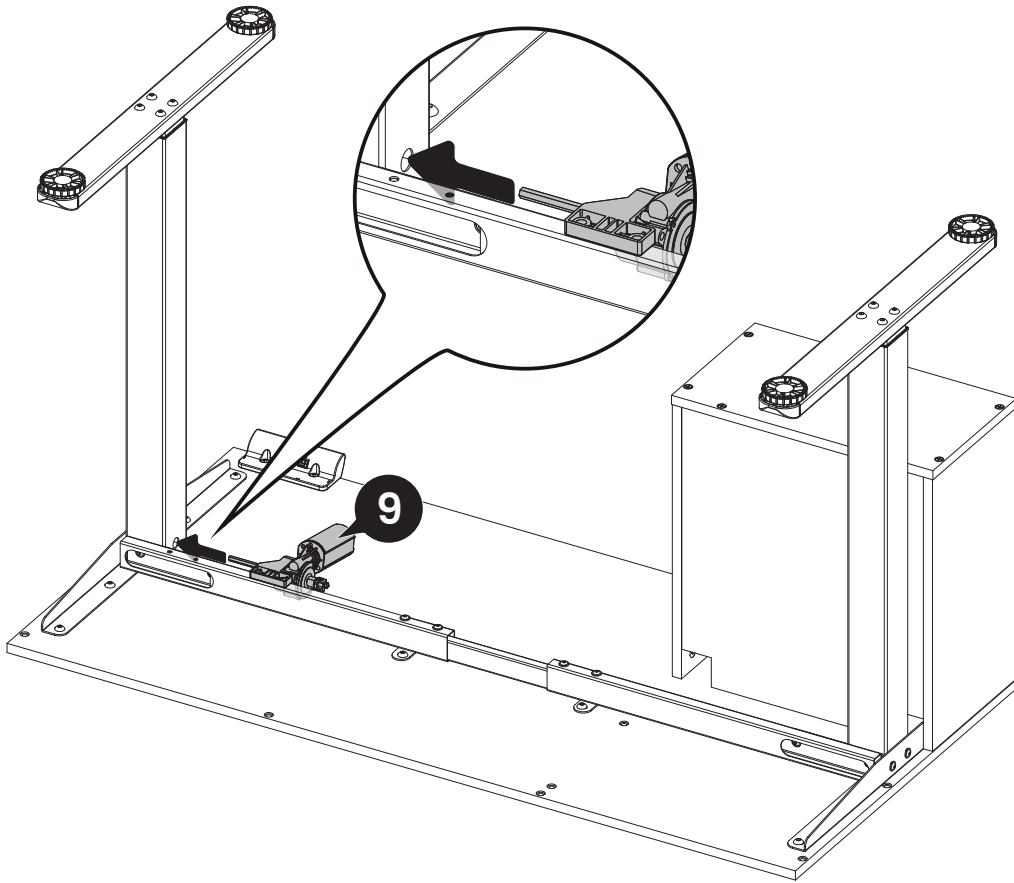




-  M6 x 11mm
- A** x 4
-  3/16" (5mm)
- F** x 1

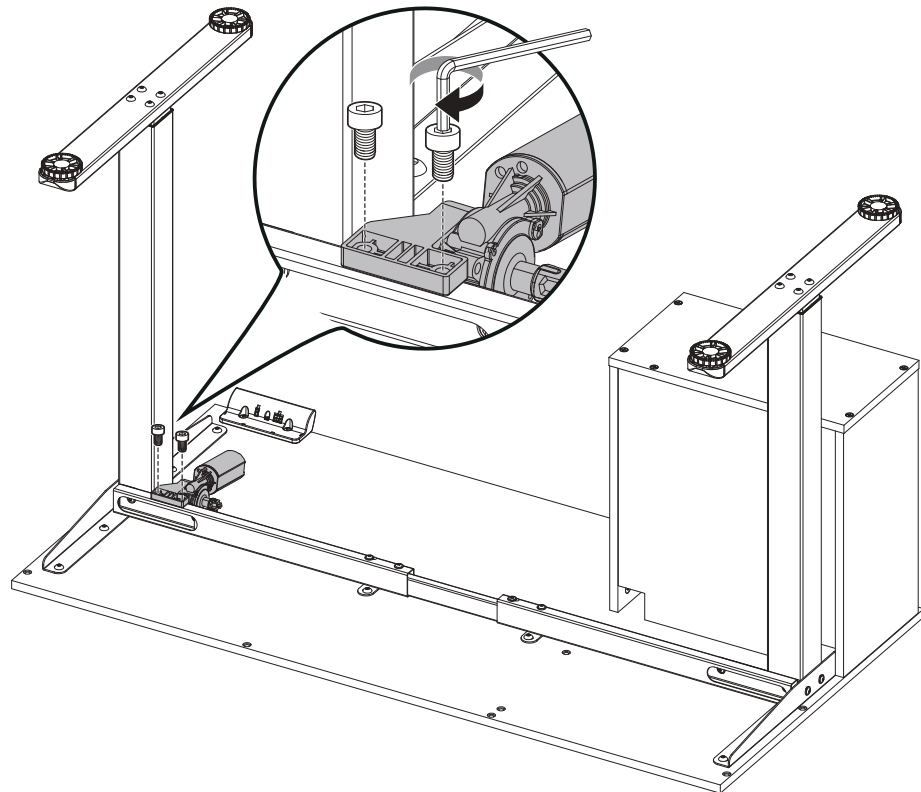


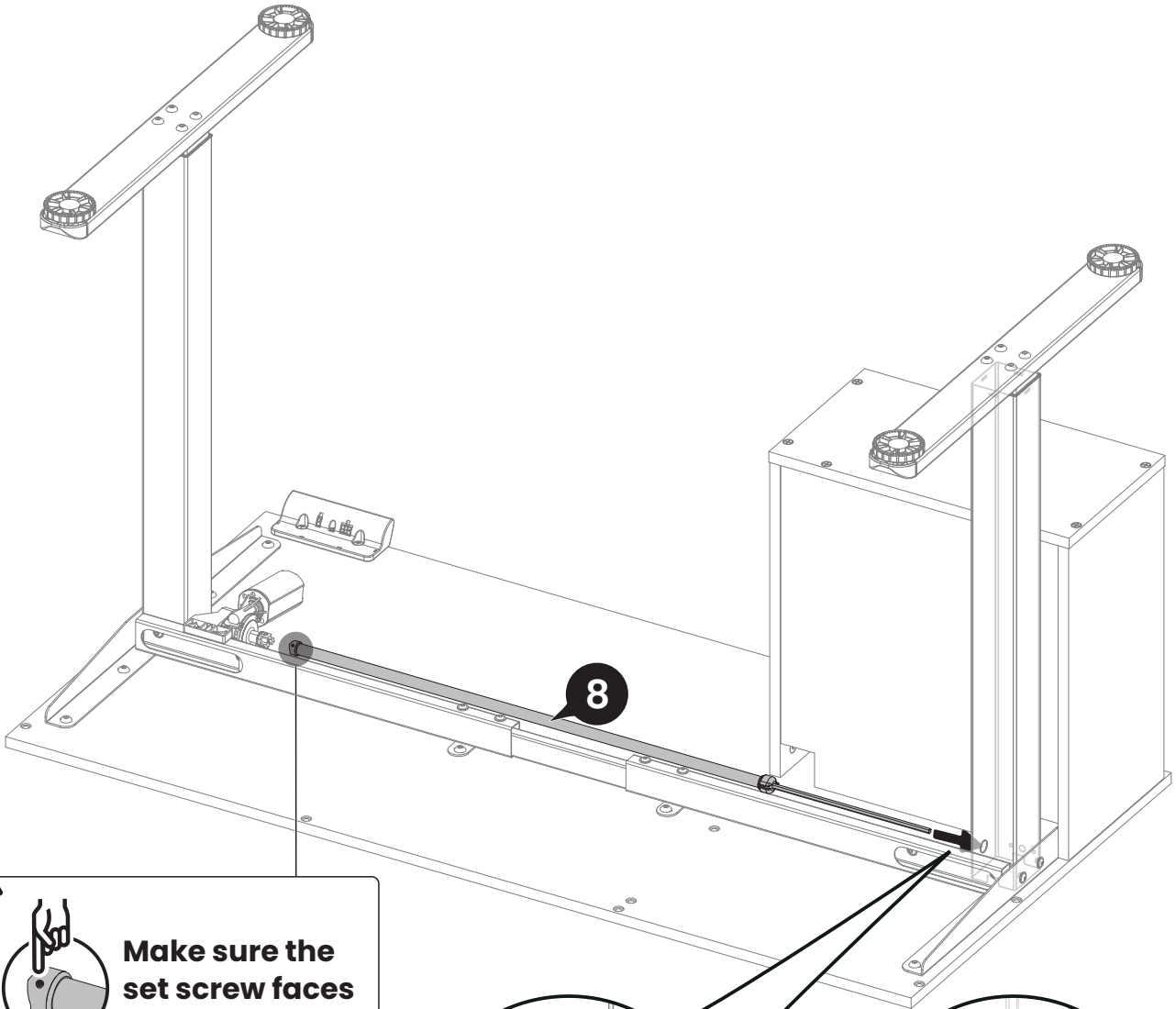
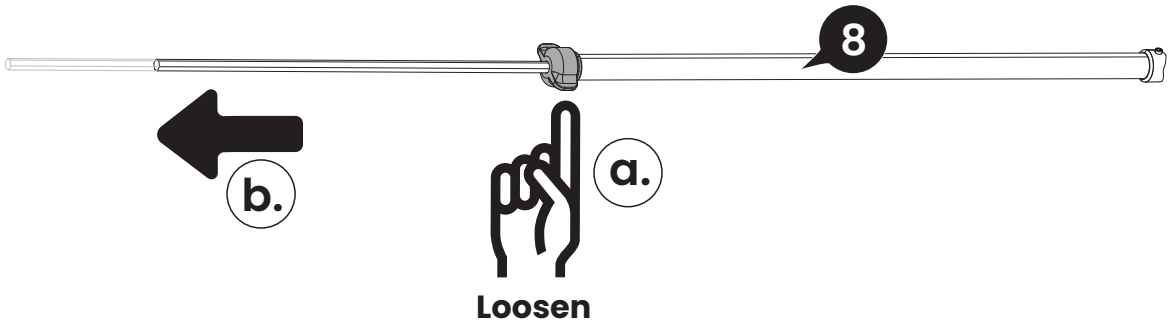
# 3



## Attaching the Transmission Rod

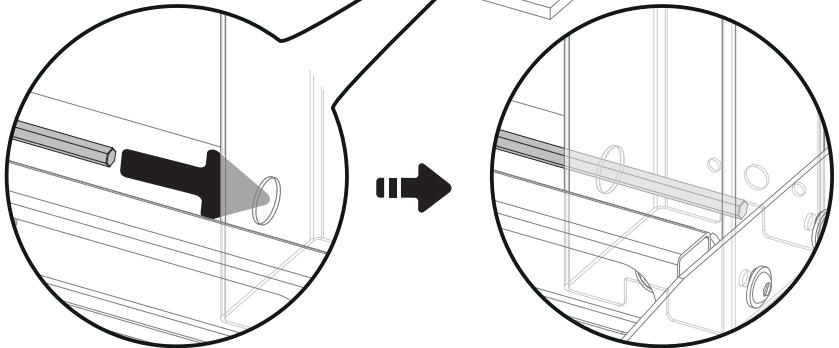


-   
M6 x 12mm
- C** x 2
-   
3/16" (5mm)
- F** x 1



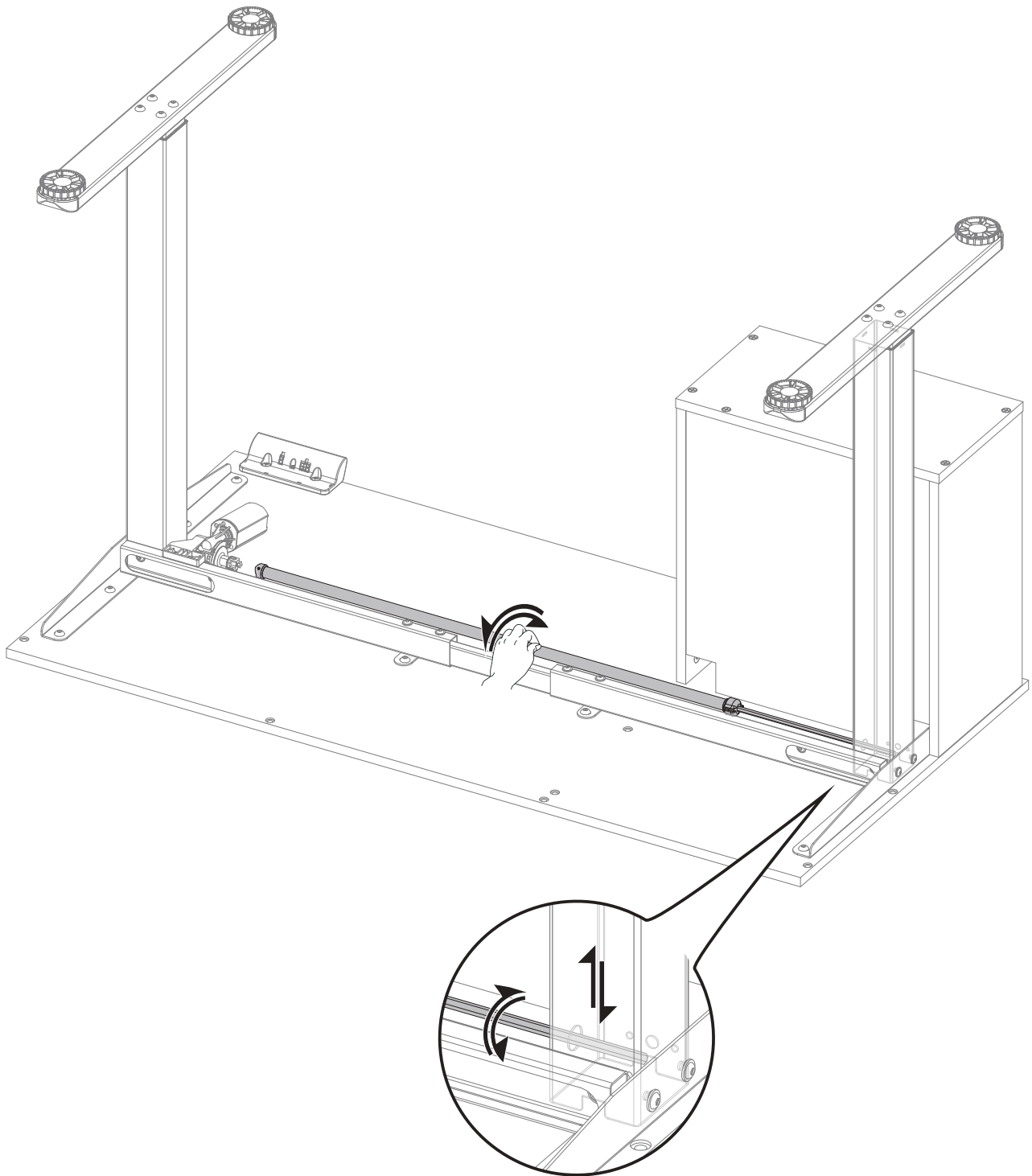


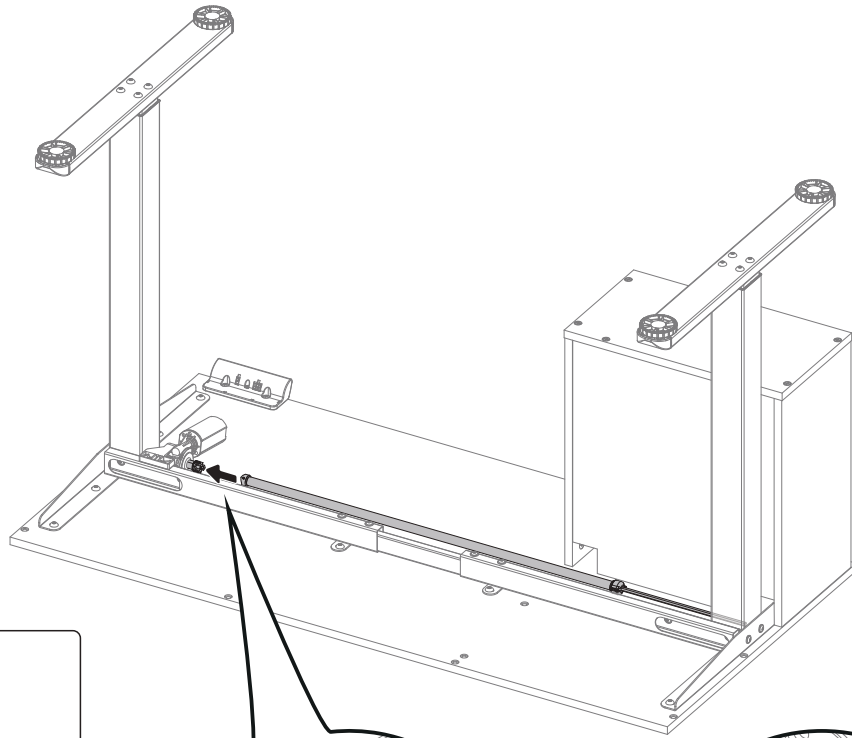
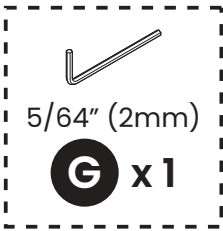
  **Make sure the set screw faces out.**



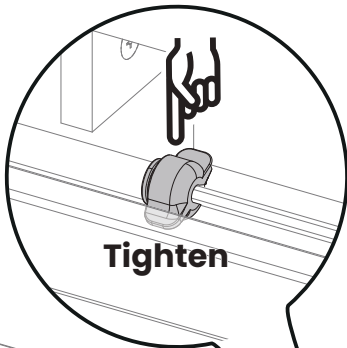
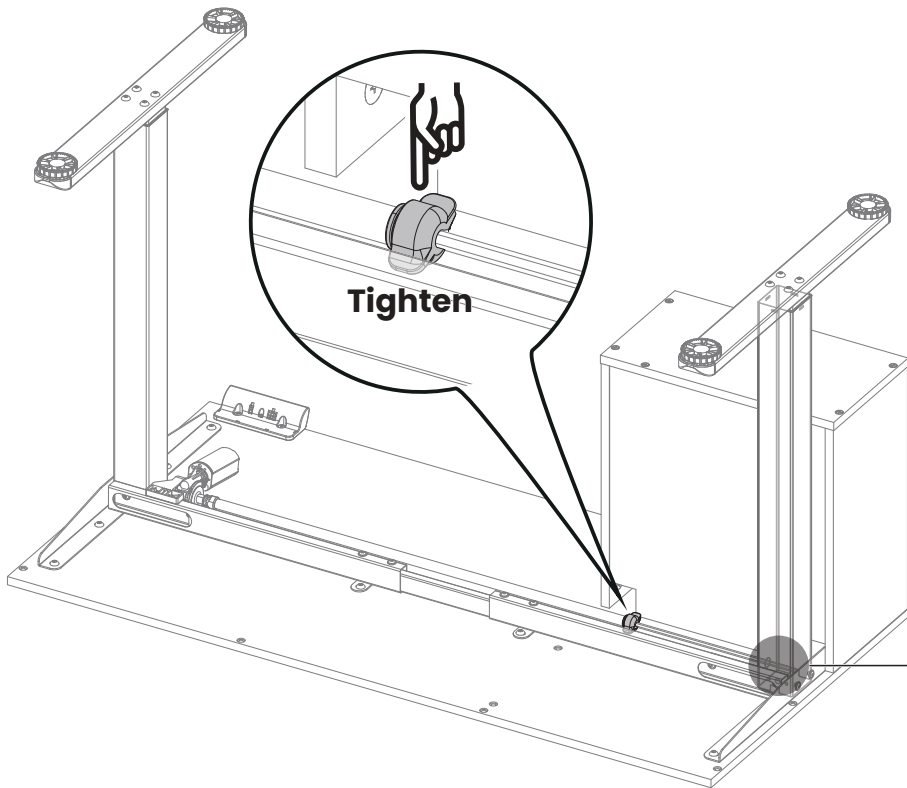
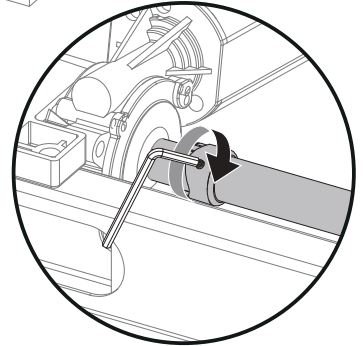
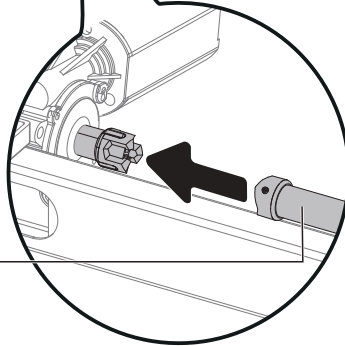
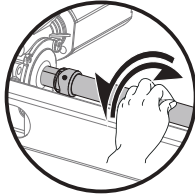
## Adjust uneven desk legs if needed:

Measure the heights of each leg to see if they are set at the same level. If not, turn the rod to raise or lower the leg until it's level with the leg with motor.





**!**  
**If the rod's other end cannot be connected properly, fine-tune the rod.**



**!**  
**Before tightening the coupling nut, ensure the end of the rod is still fully inserted into the leg.**

# 4

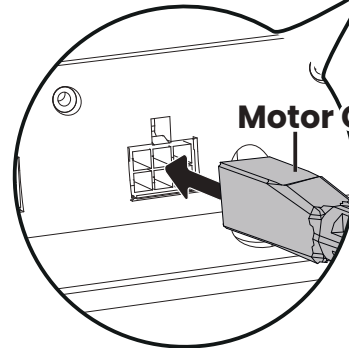
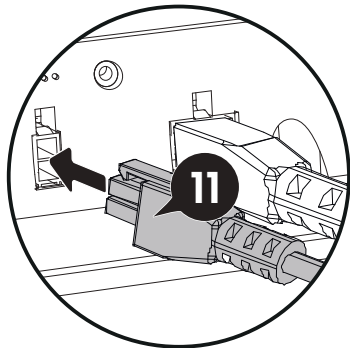
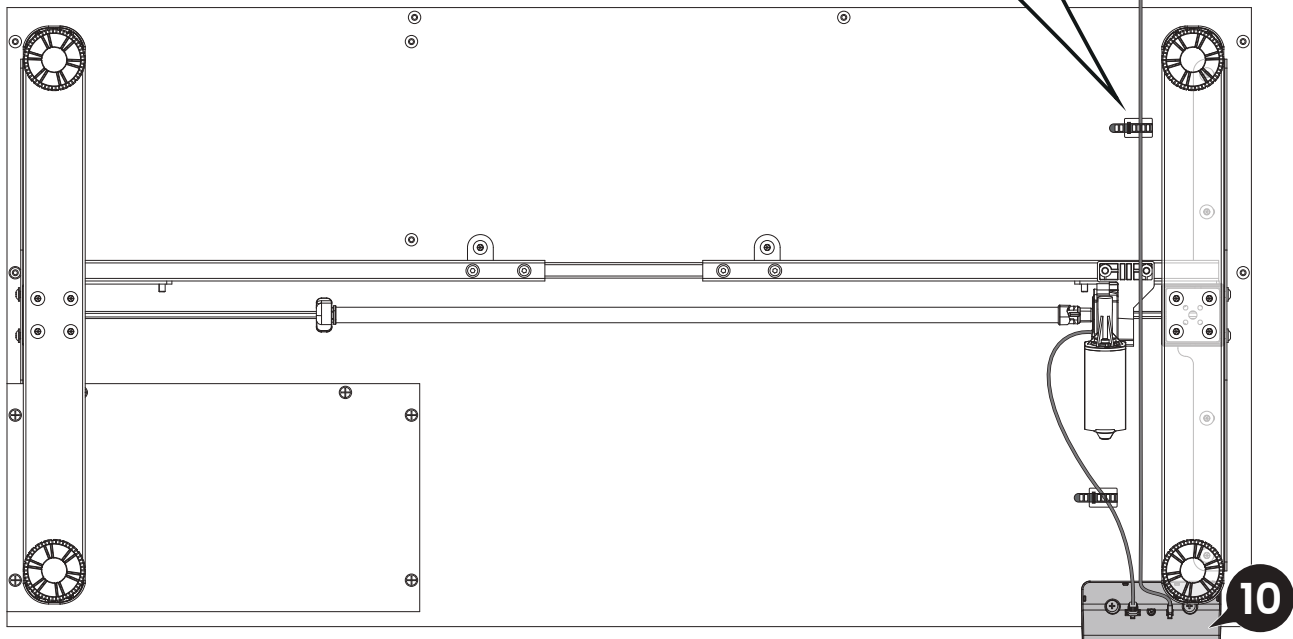
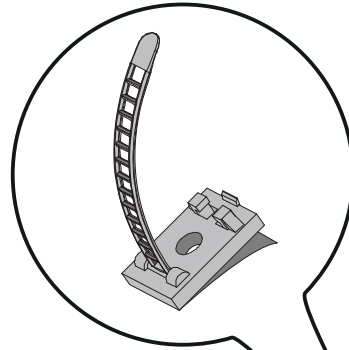
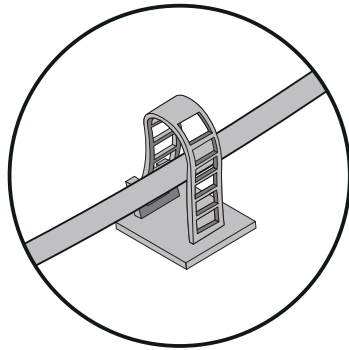
## Connecting the Cables



An example of a cable clip layout is indicated below. However, the cable clips can be arranged according to your needs.

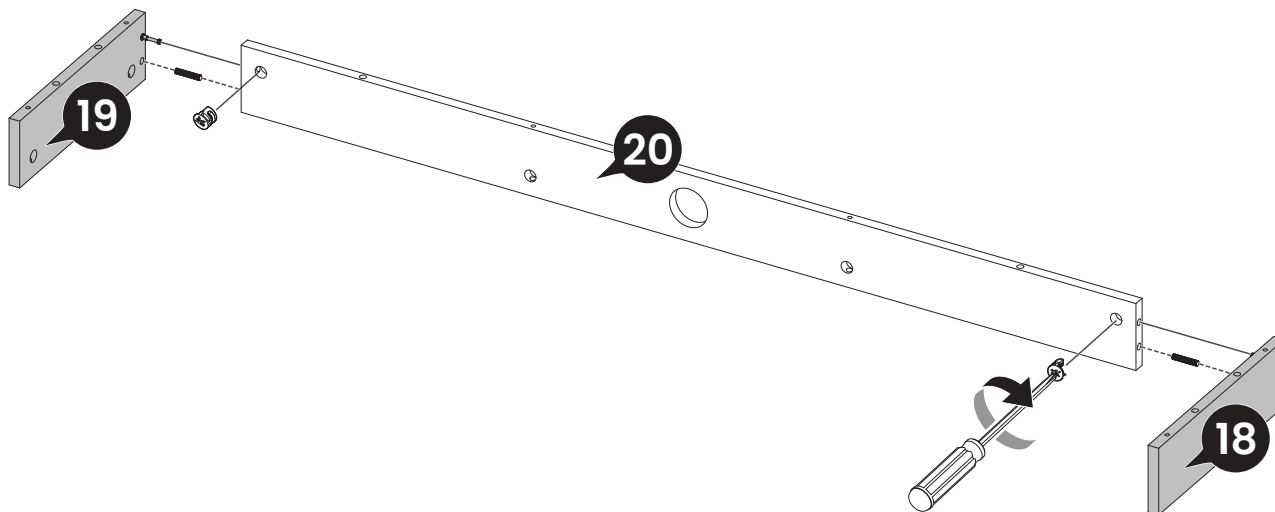
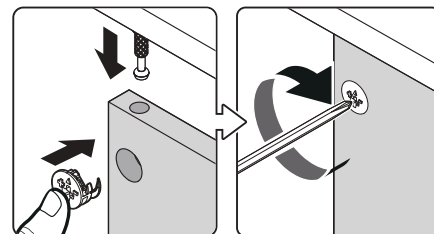
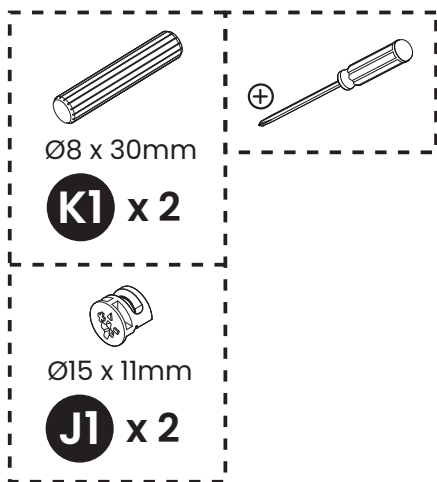
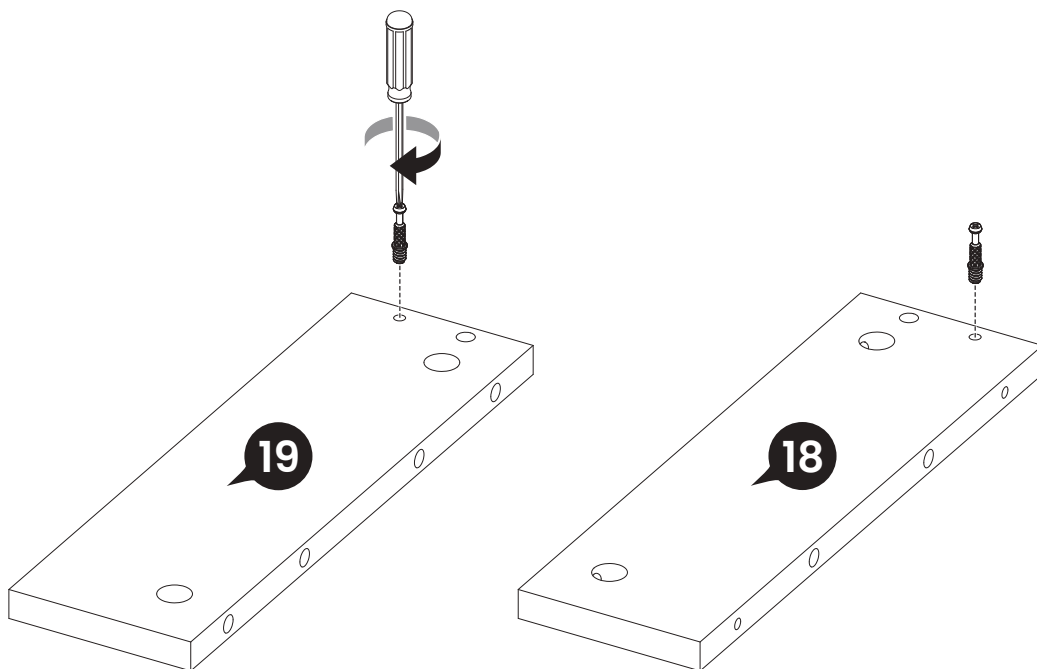
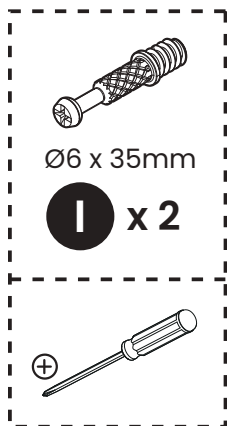


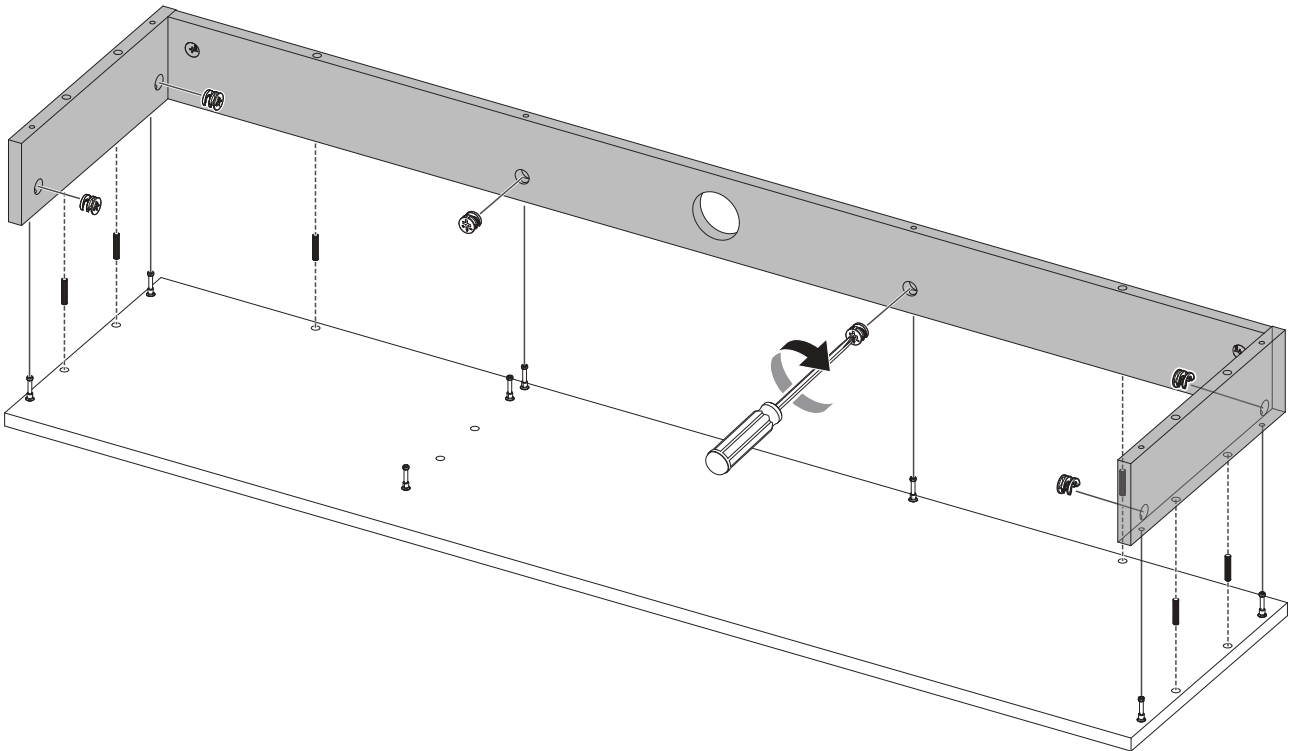
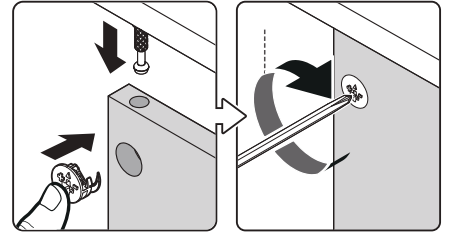
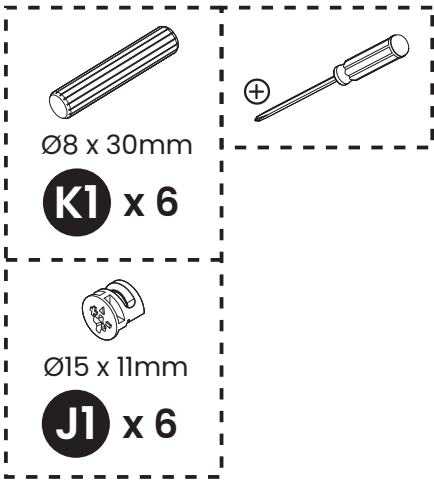
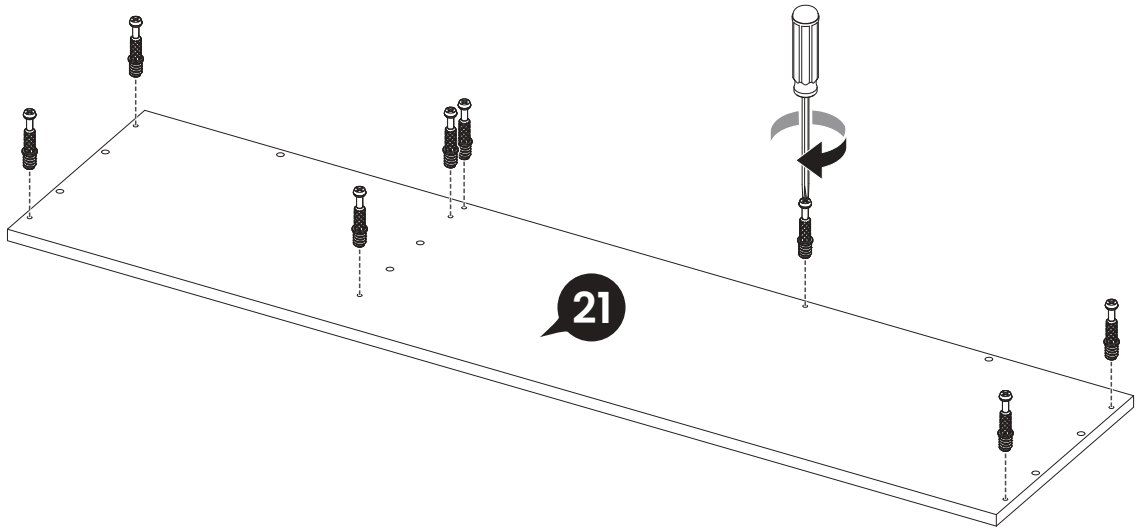
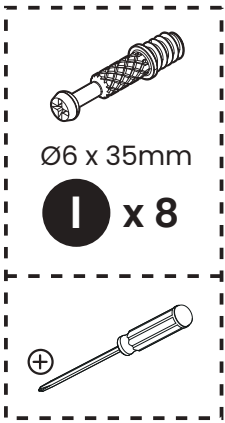
When flipping the desk over, make sure the controller does not hit the ground, which could cause damage.

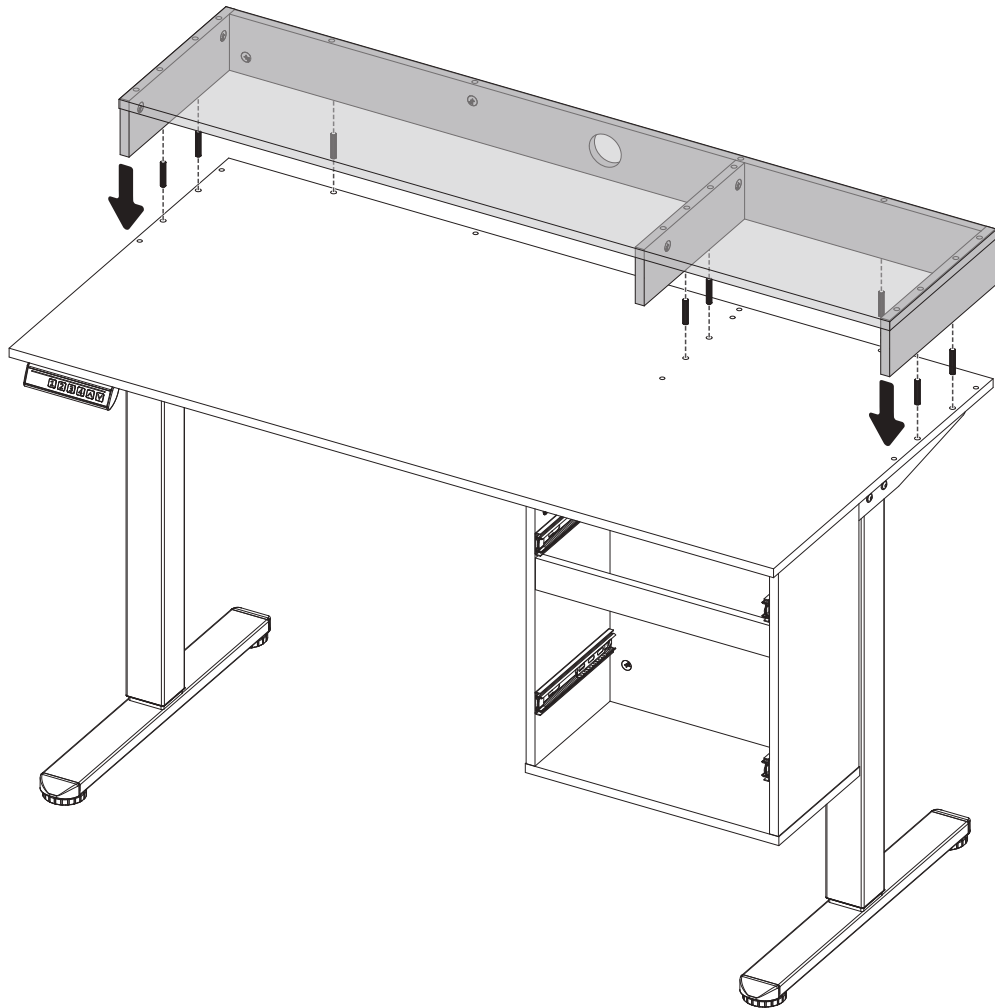
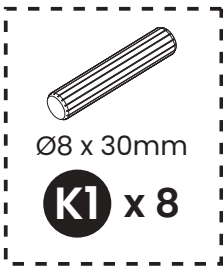
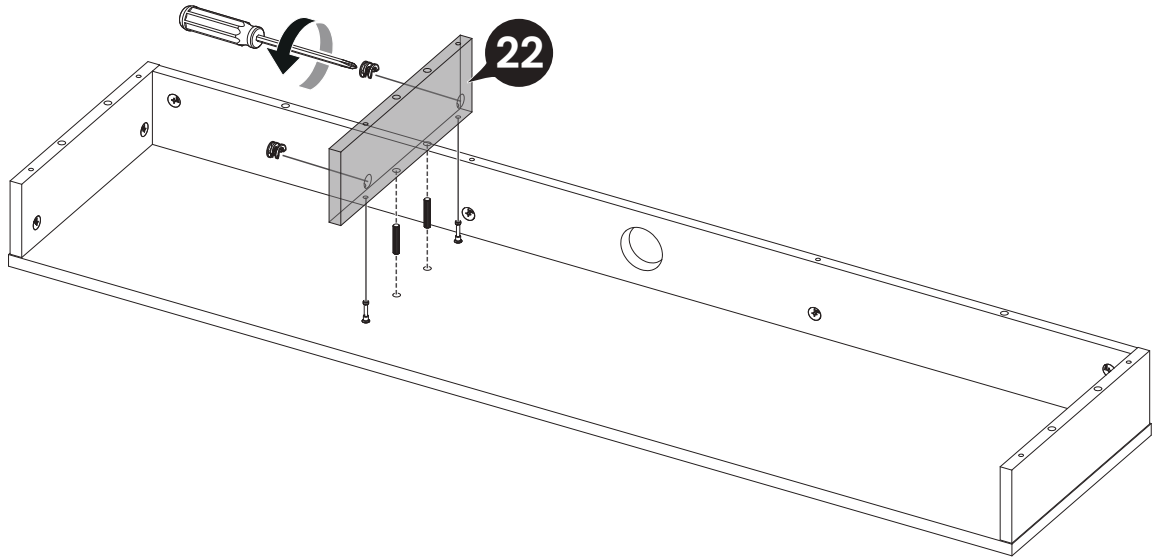
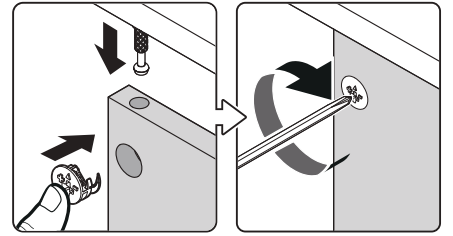
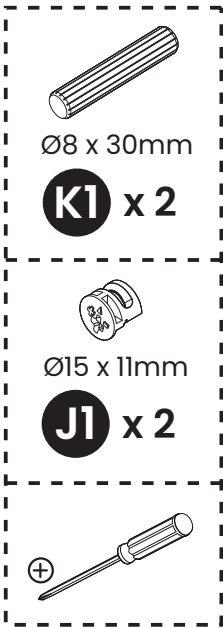


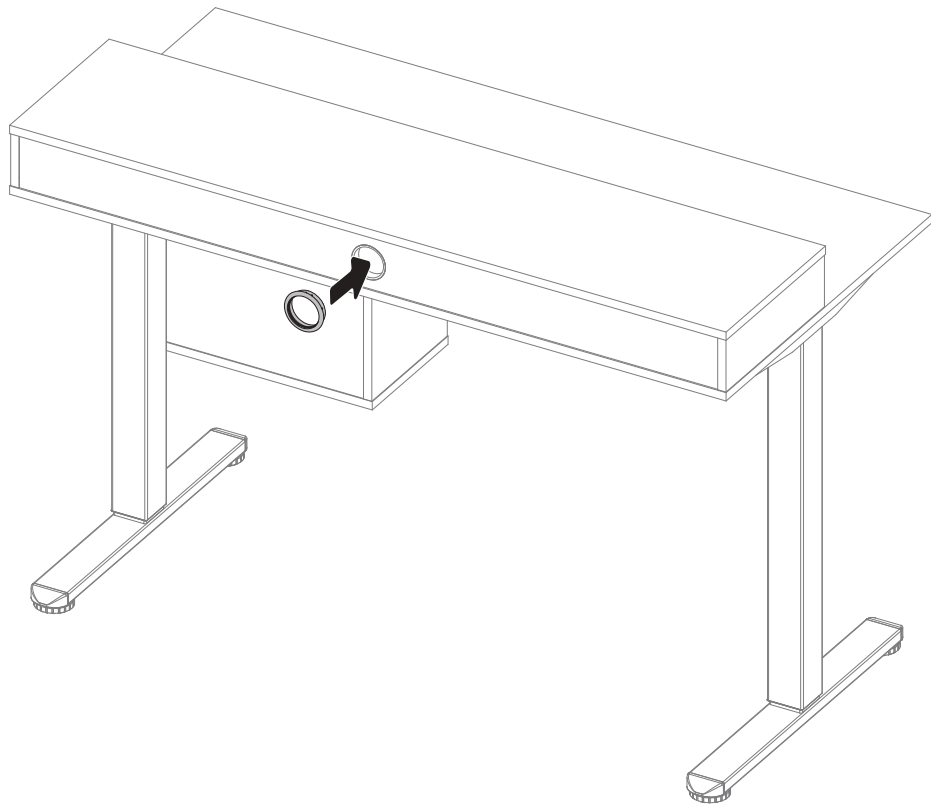
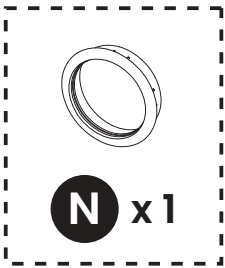
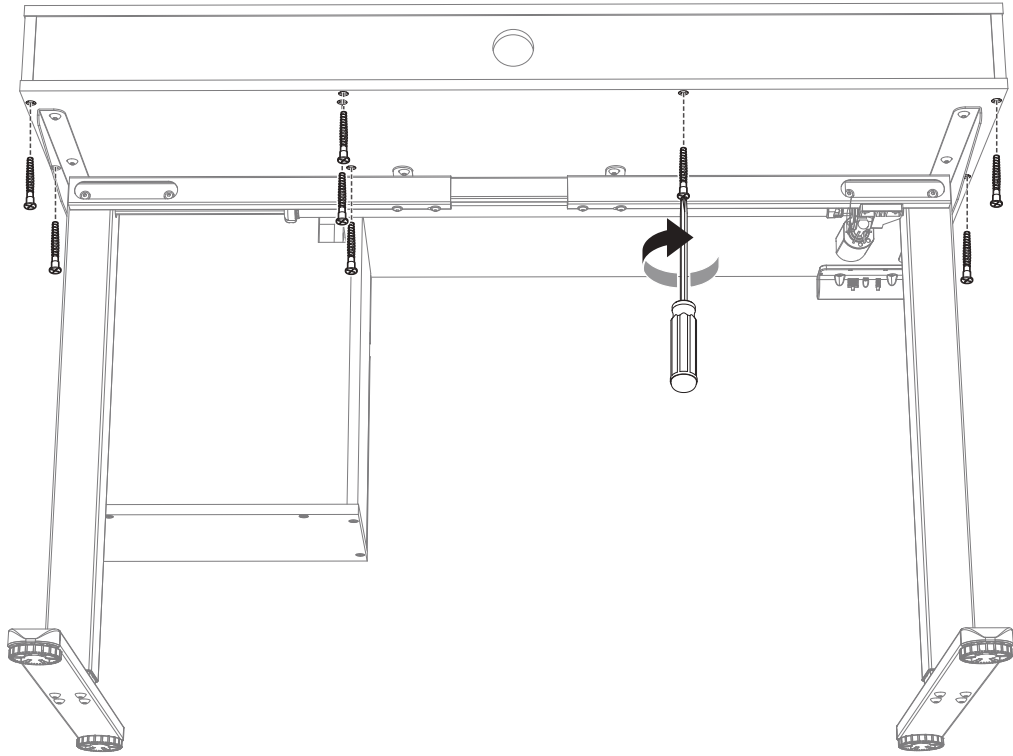
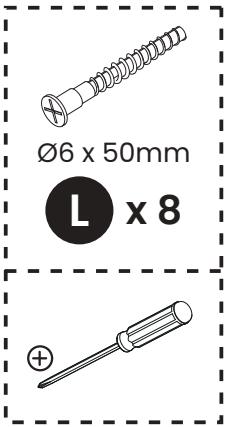
# 5

## Attaching the Top Stand



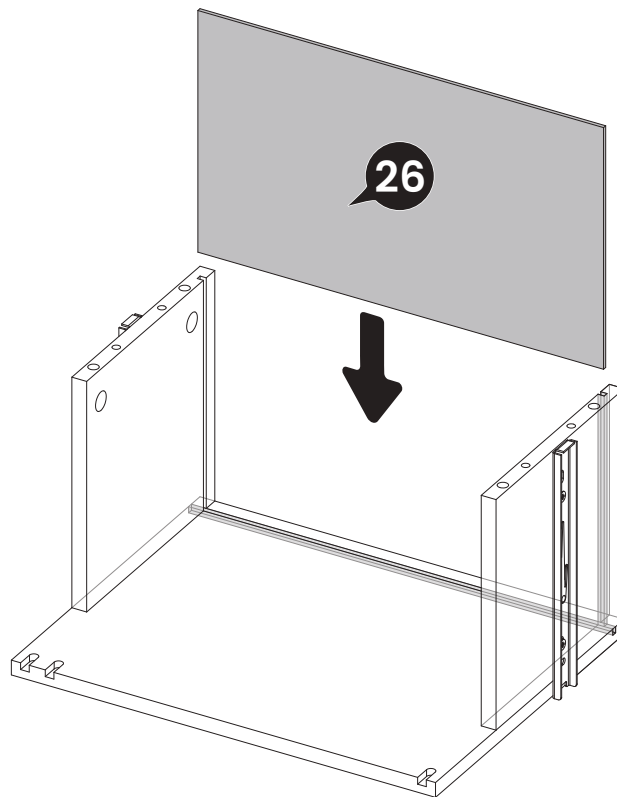
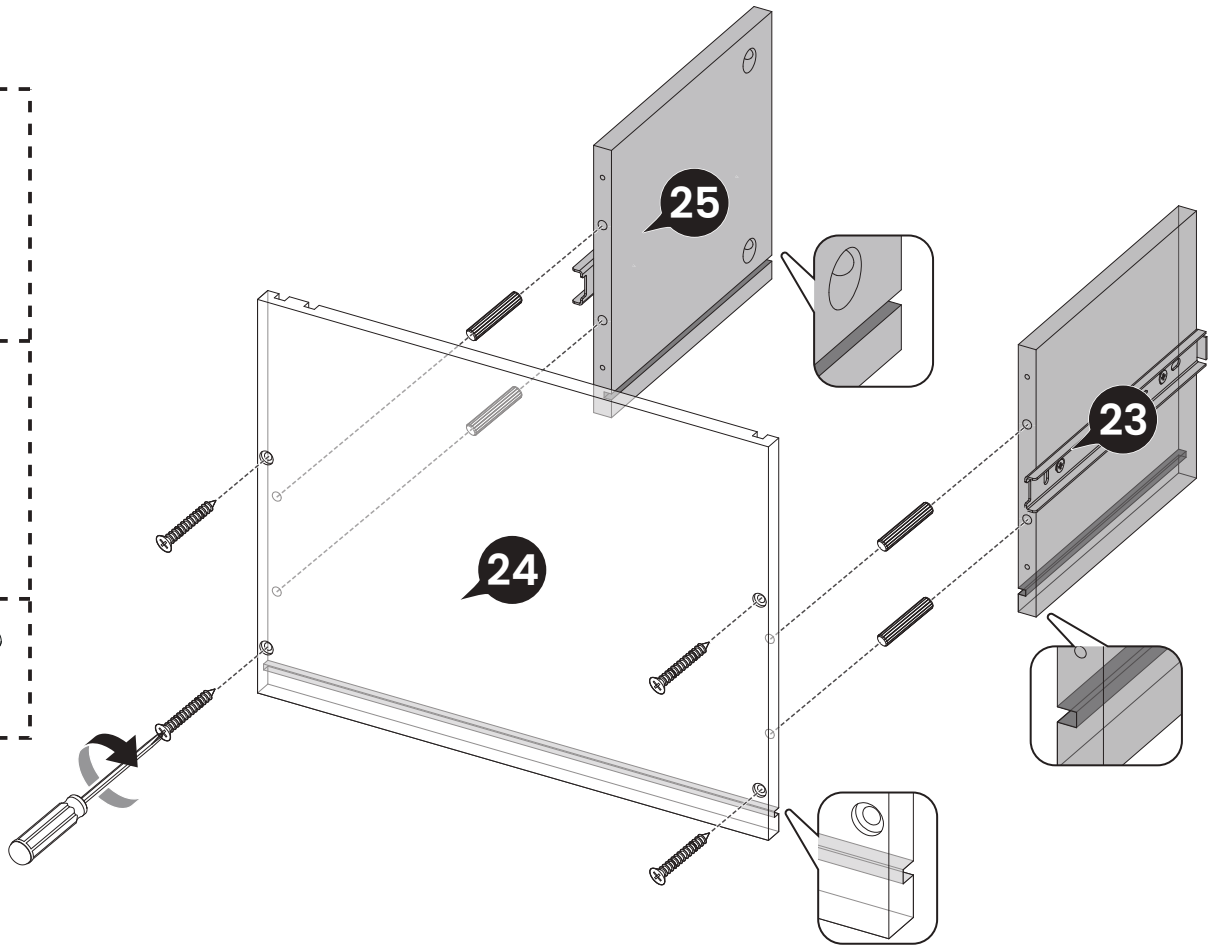
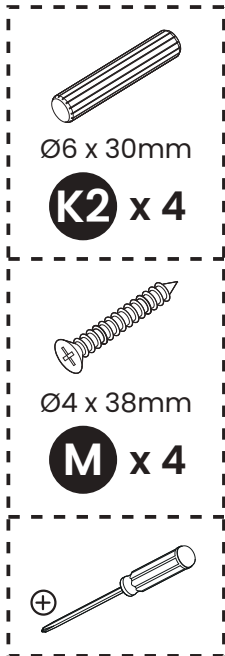


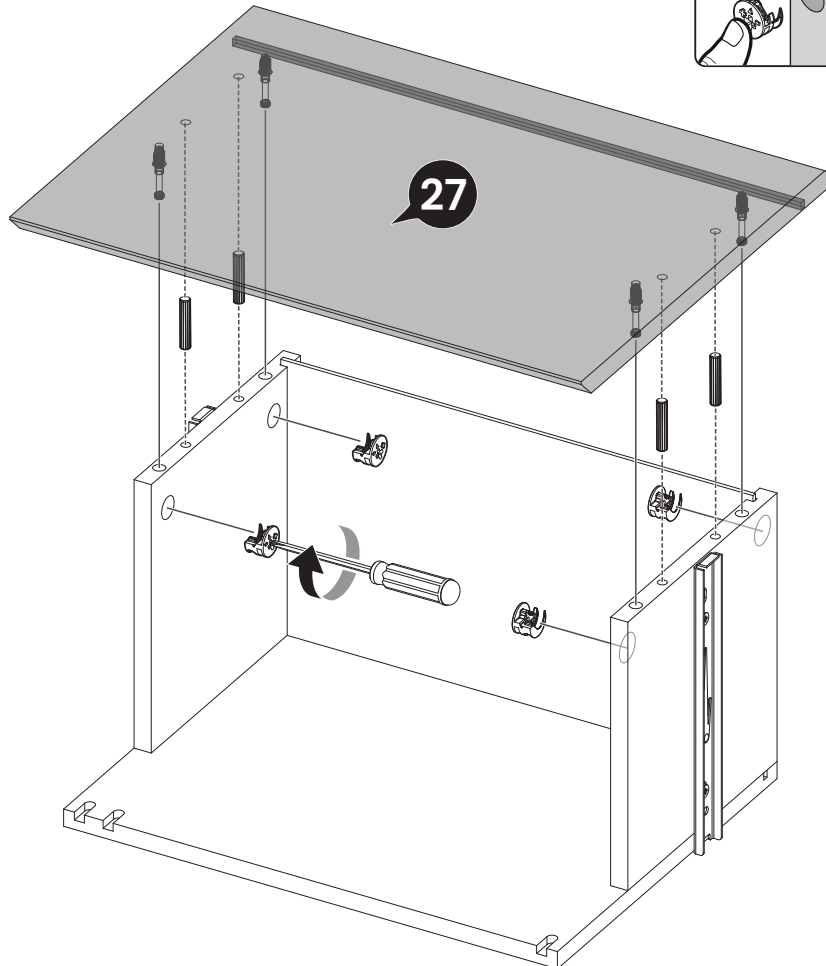
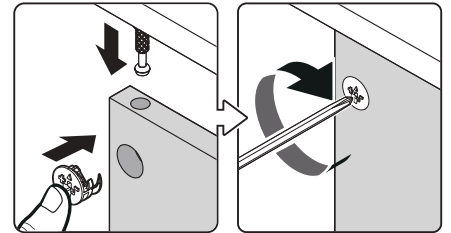
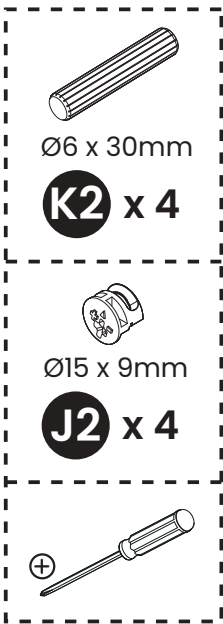
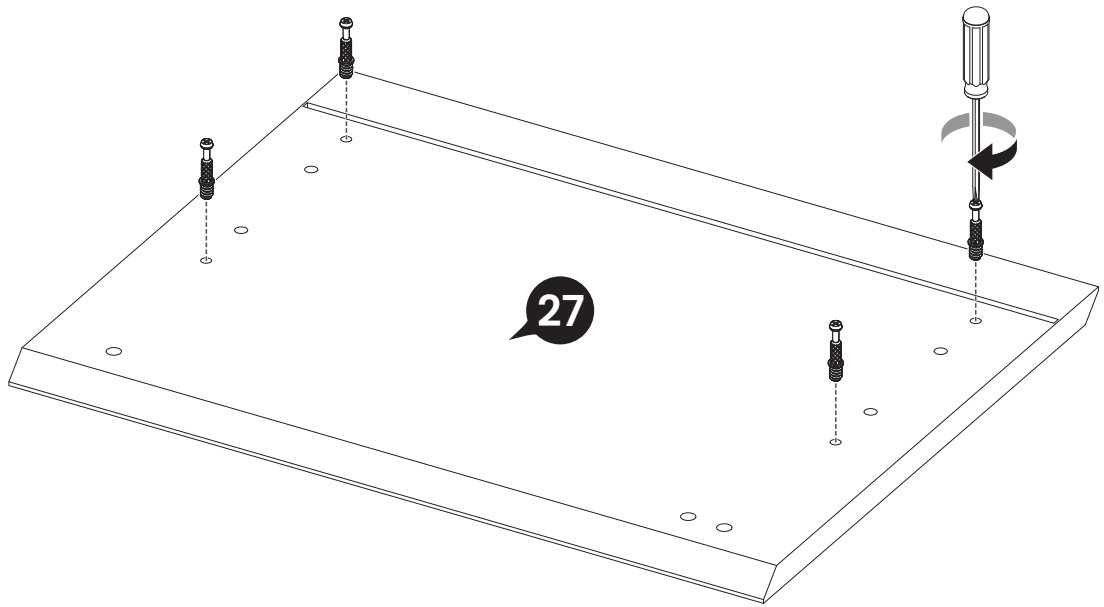
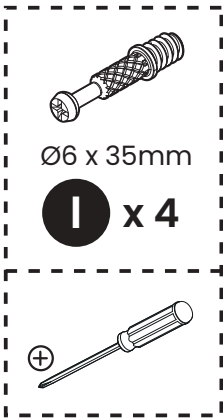


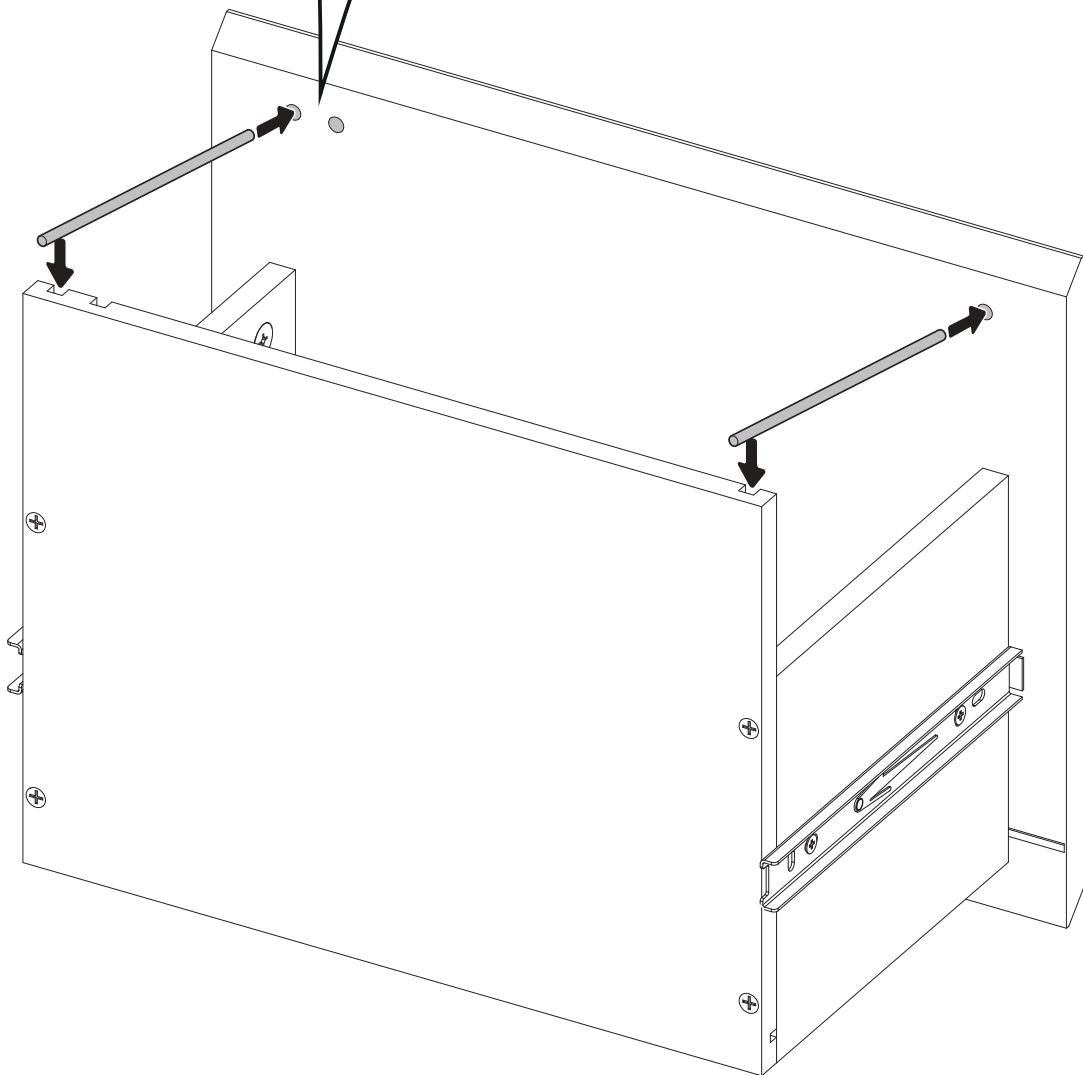
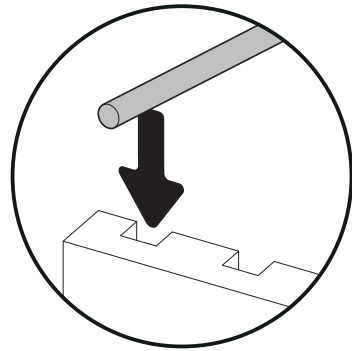
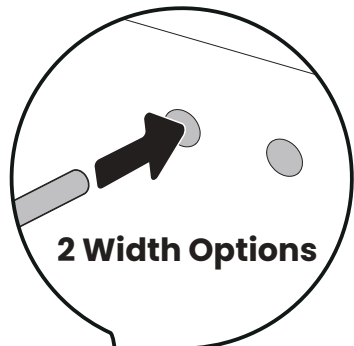
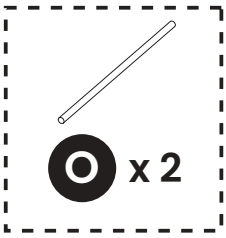


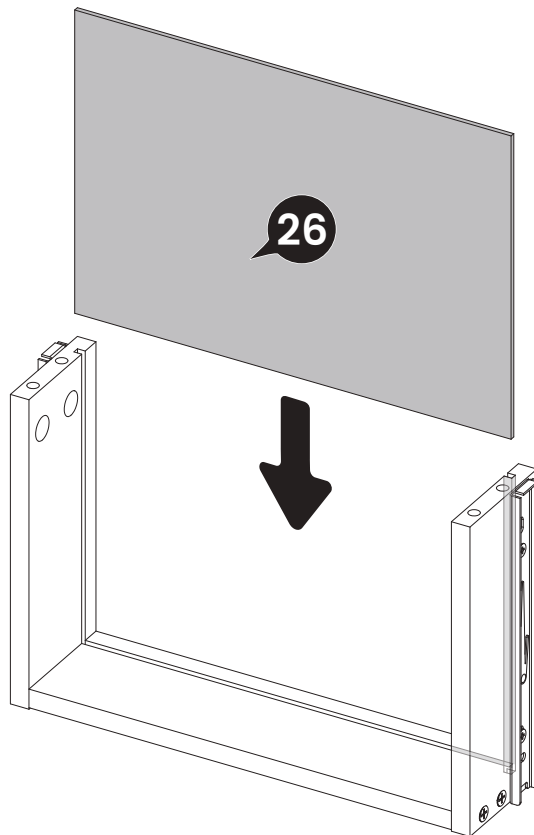
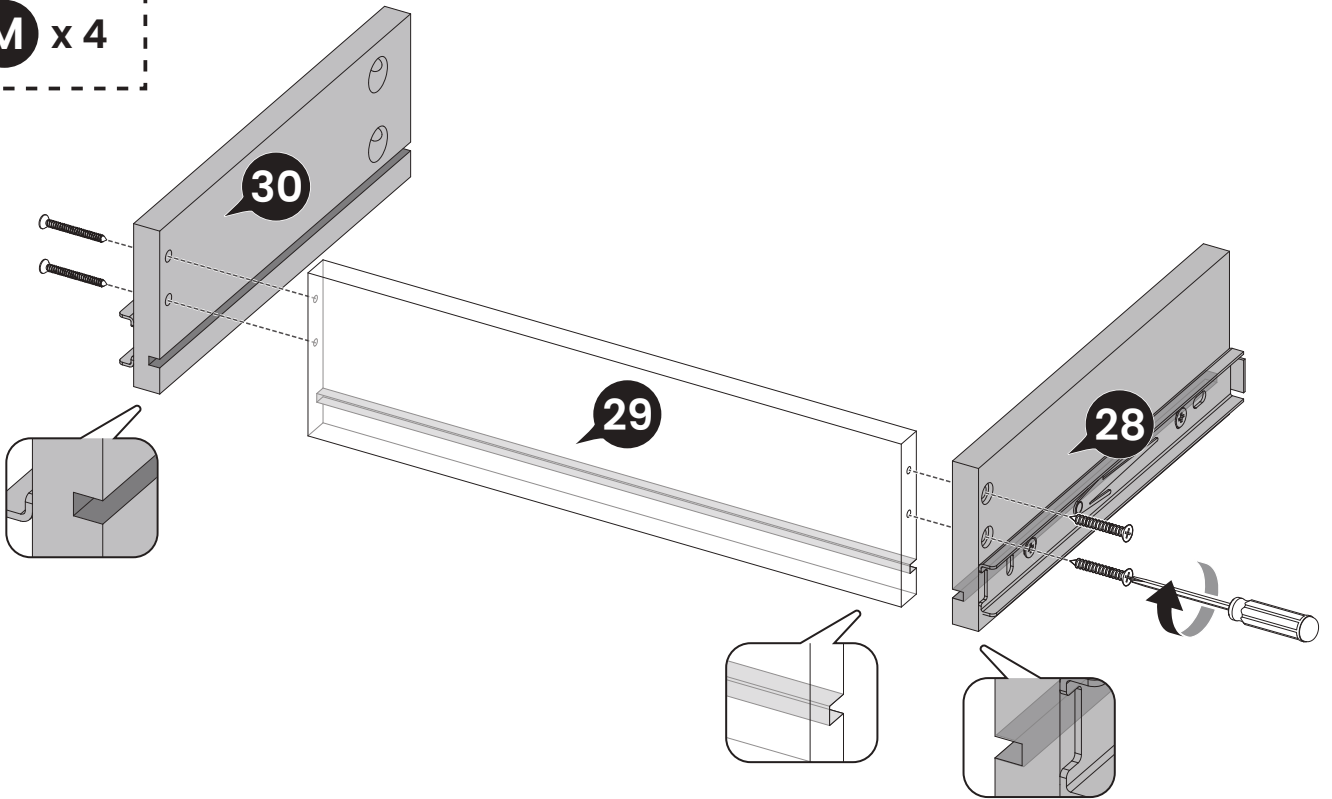
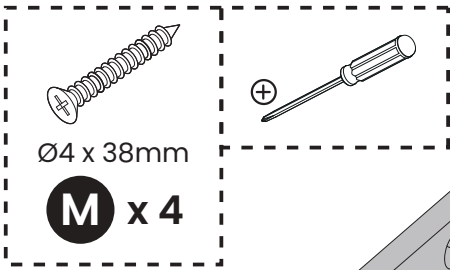
# 6

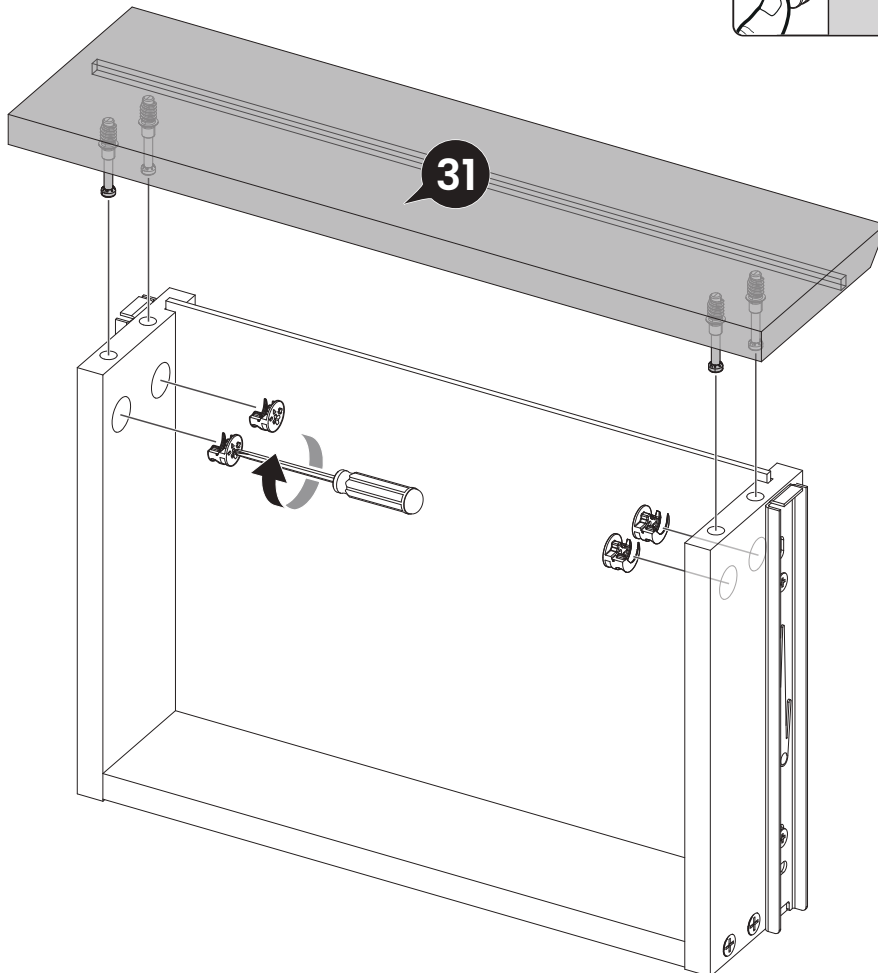
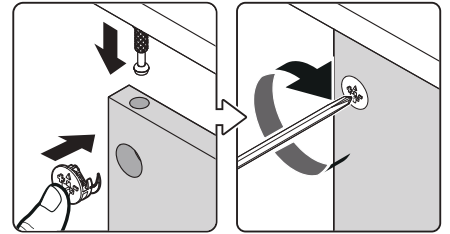
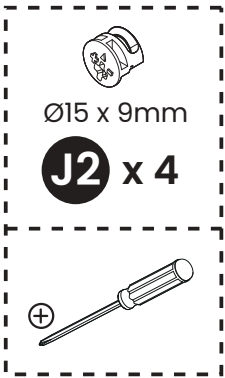
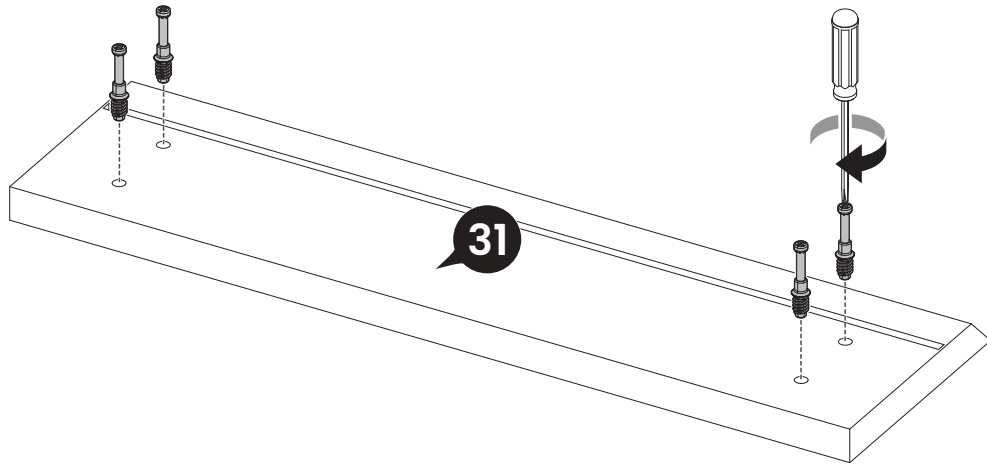
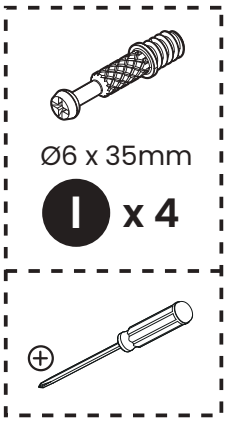
## Attaching the Drawers

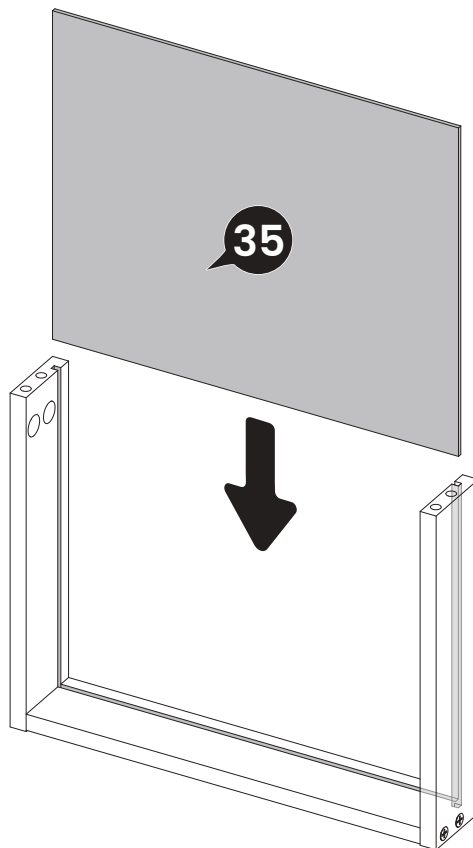
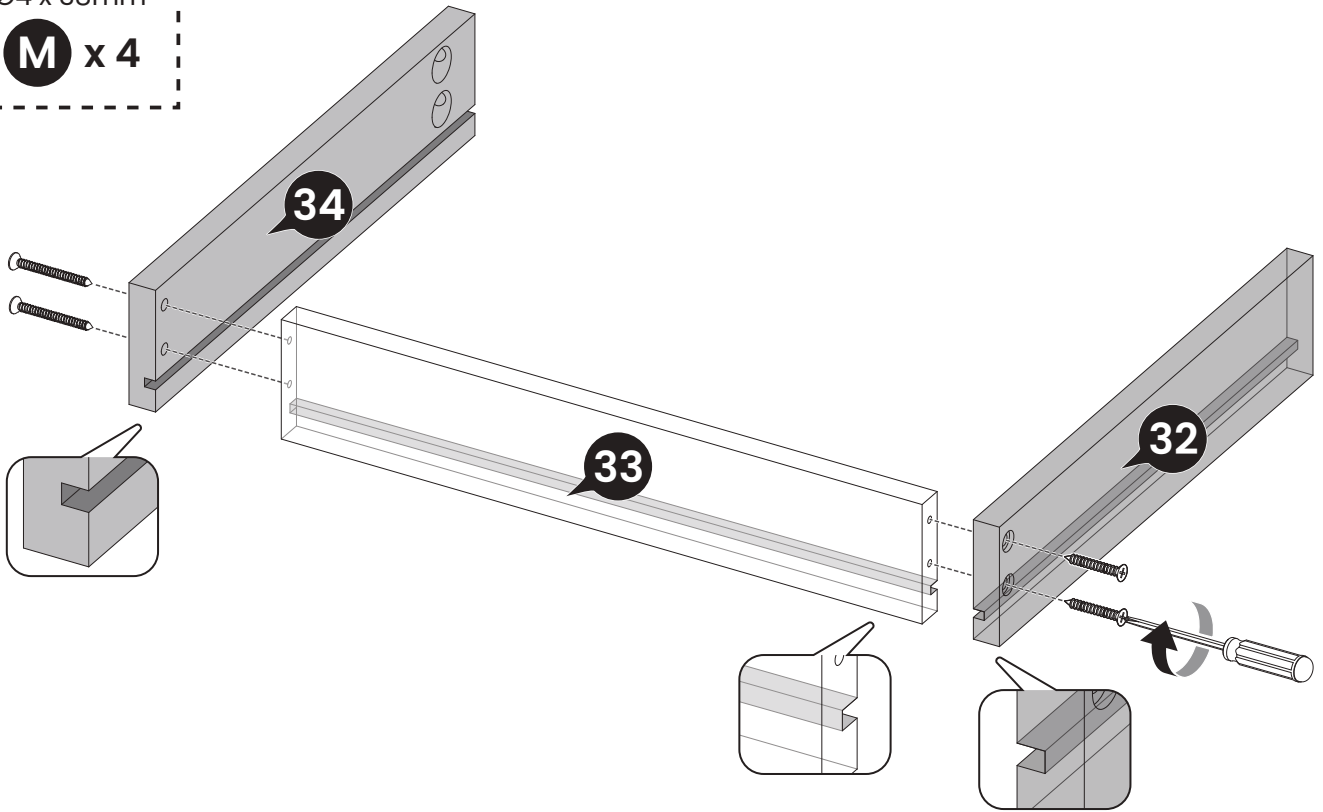
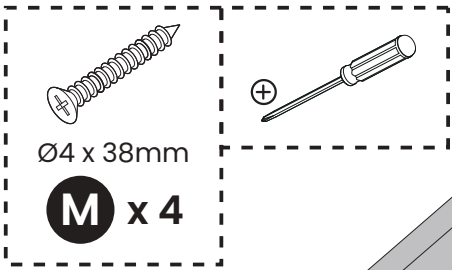


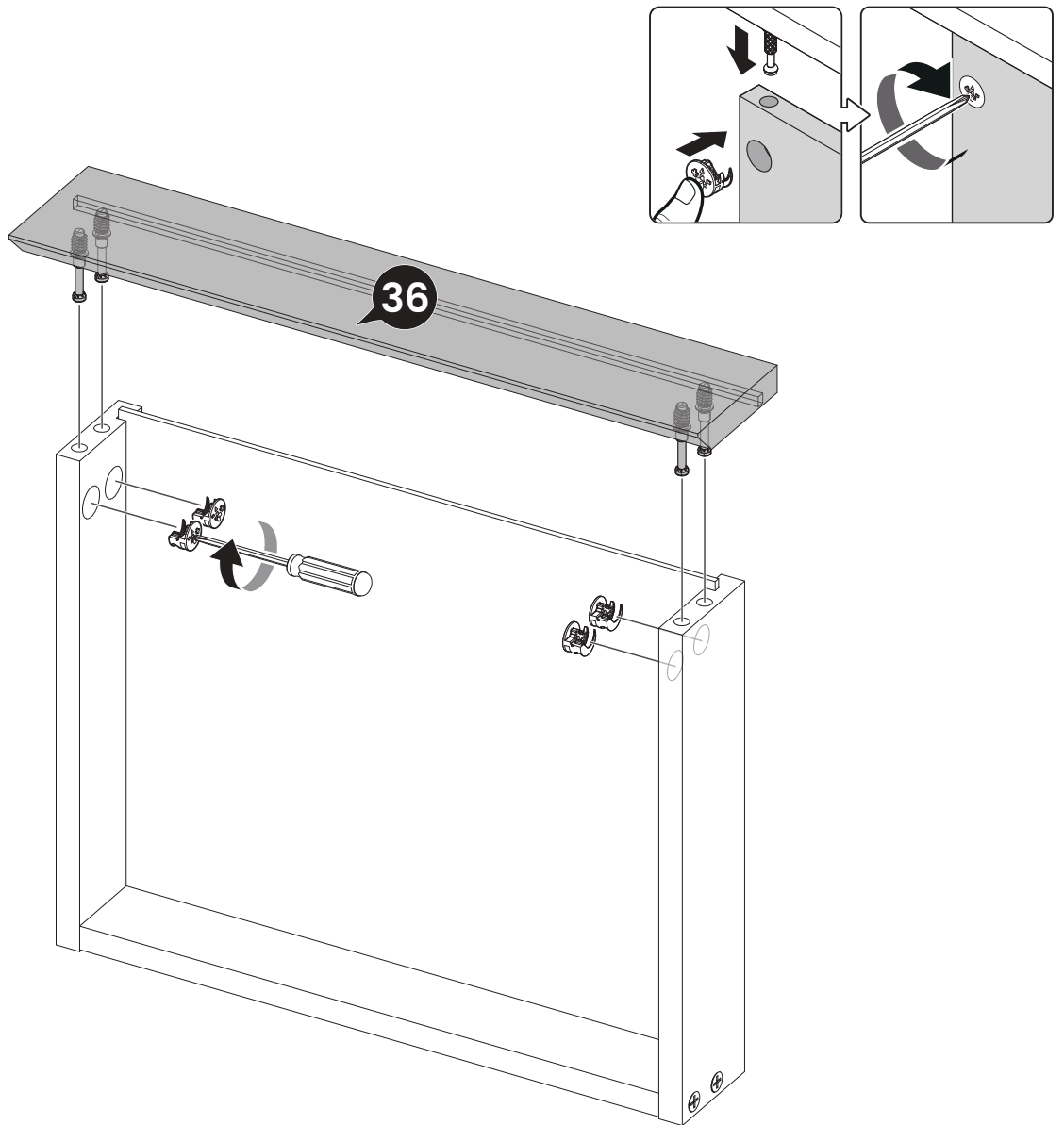
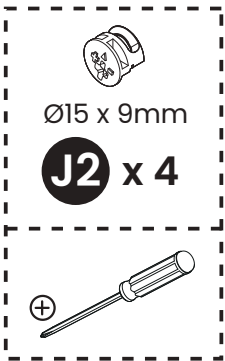
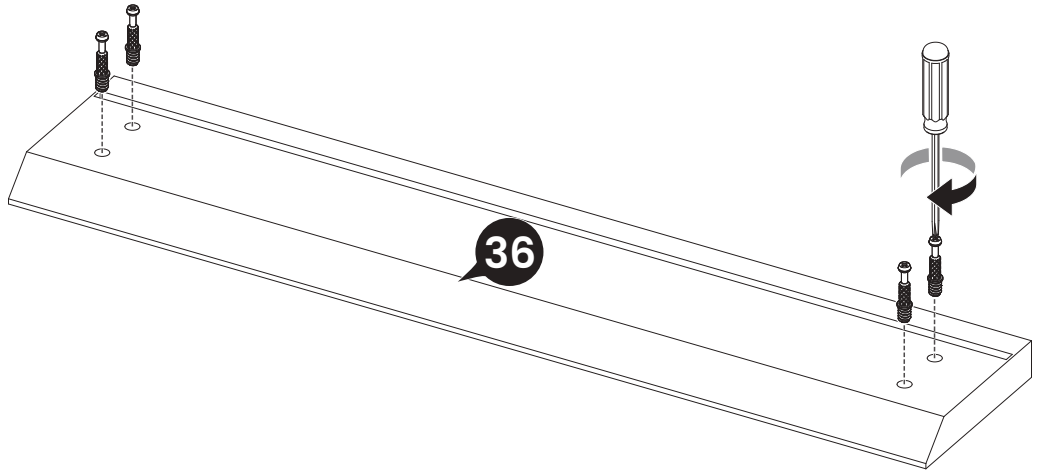
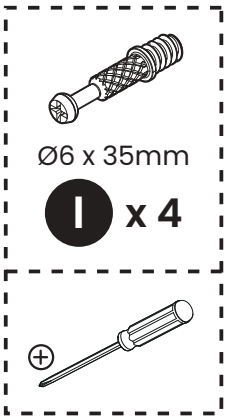


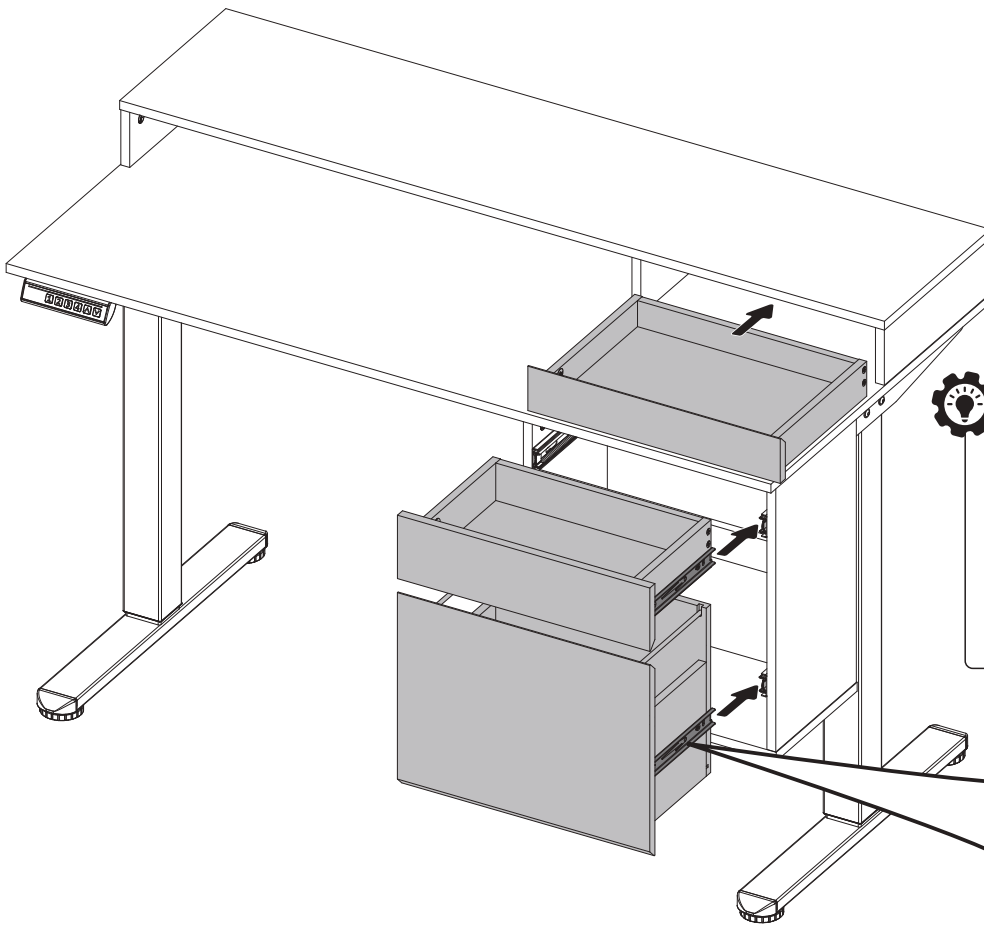




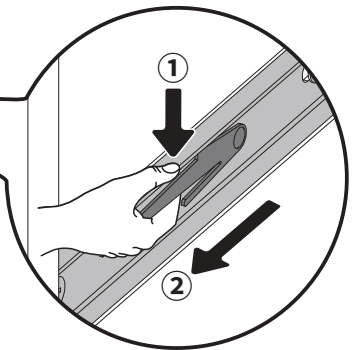




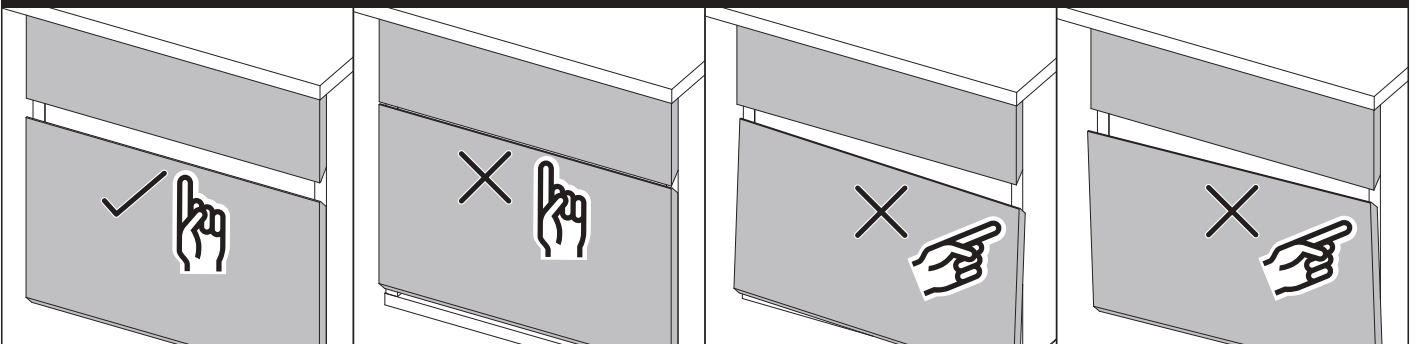




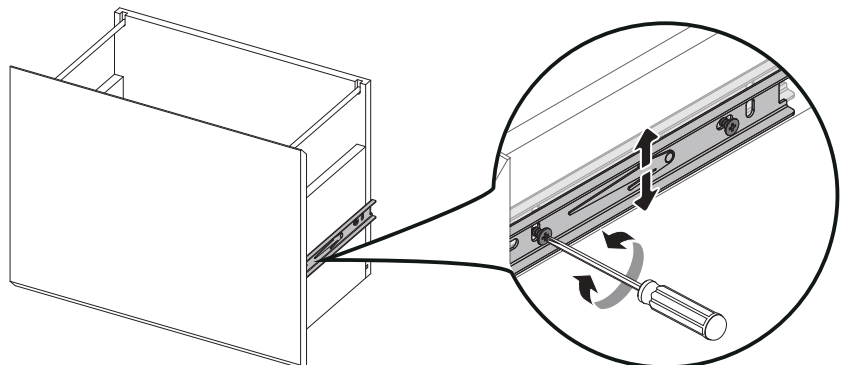
If you need to remove the drawer, press one tab up and the other tab down at the same time.



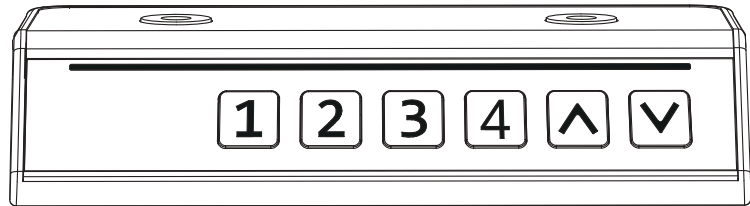
## Drawer Alignment Adjustment



Adjust the slide screws up or down for proper installation.



# Using the Controller



**Note:** Ensure that there are no obstacles when using the desk, that the desktop is not too close to the wall, and that all cables are long enough for the desk to move up and down freely. When the controller screen is off (power-saving mode), press any button to wake it before operation.

Up. Max height: 46.5"/118cm

Down. Min height: 28.3"/72cm

## • Save Current Height Setting


Four heights can be saved. Press and hold the **1**, **2**, **3**, or **4** button for 5 seconds until 'H1', 'H2', 'H3', or 'H4' is displayed. The current height will be saved to that button.

## • Select Height Setting

Press the **1** / **2** / **3** / **4** button. The desk will move to the height that was previously set for that button.

## Settings

### Reset

'RES' displays as  on the screen.

1. Press and hold the  button until the desk goes down to its lowest level, then release the button.
2. Press and hold the  button for 5 seconds, and the screen will display 'RES.' Continue holding until the desk comes back up slightly. Reset is complete.

## Protection Mode Error Codes

<b>Hot</b>	Overheating Protection: When the motor has been working continuously for 5 minutes, it will stop operating to prevent damage from overheating. Wait for at least 15 minutes before making any further height adjustment.
<b>E10</b>	Sensor Malfunction Warning: Motor safety sensor cannot be detected. Power off, disconnect the cables, reconnect the cables, then power back on and perform a reset.
<b>E20</b>	Overload Warning: Max load exceeded. If raising the desk, remove all items from the desk and try again. If lowering the desk, power off, remove all items from the desk, power back on, then try again. If error code persists, follow the reset instructions.
<b>E02</b>	Operation Status Warning: The desk stops moving if vibration, impact, or incline are detected. If this detection is incorrect, follow the reset instructions before continuing use.
<b>E32</b>	Overvoltage Protection: Input voltage too high. If the correct AC adapter is being used, power off, disconnect the cables, reconnect the cables, then power back on and perform a reset.
<b>E31</b>	Undervoltage Protection: Input voltage too low. If the correct AC adapter is being used, power off, disconnect the cables, reconnect the cables, then power back on and perform a reset.
	Cable Disconnection Warning: Ensure all cables are properly connected and the controller is plugged in before use.