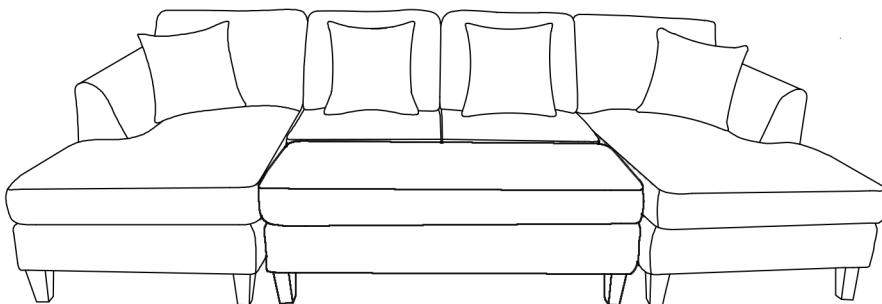


# ASSEMBLY INSTRUCTIONS

---

## TOOLS REQUIRED

No Tools Required For Assembly



**2 - People  
Recommended**

## ASSEMBLY RATING



EASY ————— DIFFICULT

The Assembly Rating is a 5-point system showing the level of effort needed to assemble a specific product.



## **CHECK BEFORE STARTING**



### **Are you missing anything?**

Double-check all parts, hardware and accessories listed on Page 6 are accounted for.



### **Check out our Quick Tips!**

We recommend reviewing the pre-assembly handouts. Even experts need a refresher now and then!



### **Prep Time!**

Please review the assembly instructions and all diagrams prior to assembling. Arrange parts as recommended on Page 7 and group identical hardware together to make assembling easier.

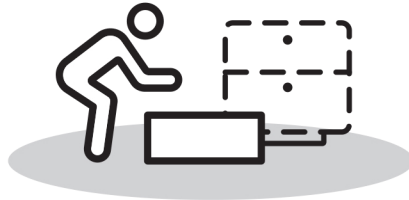
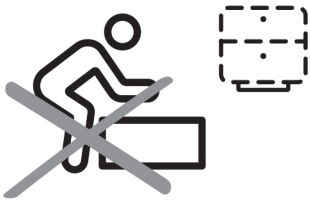
# PRE ASSEMBLY INTRODUCTION

We understand building ready-to-assemble furniture can be a challenging experience for some. To help avoid confusion, we have provided some helpful tips that may speed up the process.



## Teamwork

ALWAYS have at least two people to help with transporting and assembling the product to avoid potential injury and/or damage.



## Suitable Location

Assembling near the area of the intended location is highly recommended.



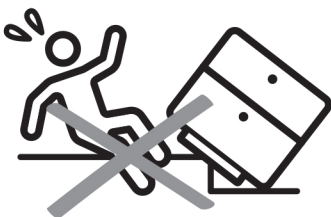
## Sufficient Space

Make sure you have enough space to move around during the assembly.



## Avoid Scratches

Use cardboard, blankets or a carpeted area while assembling furniture to prevent scratches.



## Flat Surface

Make sure the furniture rests on a flat and level surface with each leg evenly touching the floor.

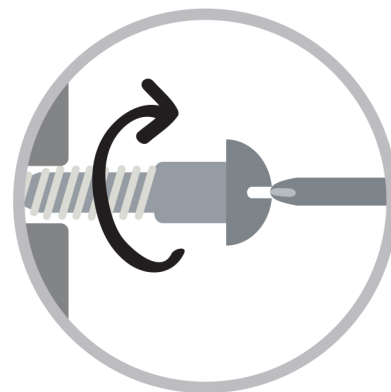
# ASSEMBLY AND CARE ADVICE



**FAILURE TO FOLLOW THE GUIDELINES BELOW MAY RESULT IN INJURY AND/OR PROPERTY DAMAGE.**



Position each part correctly and insert screws or bolts into their respective holes.



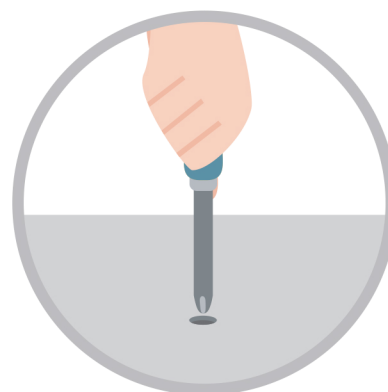
Turn clockwise to tighten and only tighten when step is completed or when instructed to do so.



Use the appropriate hand tools or power tools for assembly. Select steps, such as tightening screws and/or bolts, may require hand tools to avoid causing damage during assembly.



Save the instructions and store any supplied tools for later maintenance.



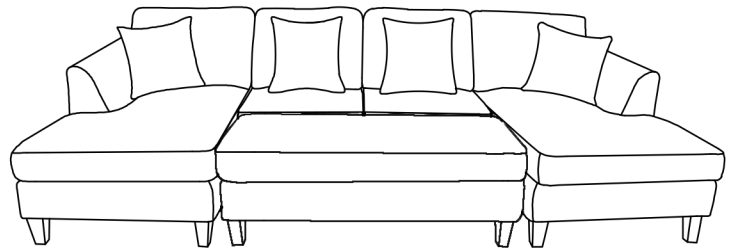
After two weeks, check and tighten any loose hardware and repeat again every six months thereafter.

**IT IS THE USER'S RESPONSIBILITY TO MAINTAIN THE FURNITURE. THE HARDWARE MAY LOOSEN OVER TIME AND MAY CAUSE THE FURNITURE TO BE WOBBLY AND UNABLE TO SUPPORT ITS INTENDED WEIGHT CAPACITY. THIS MAY LEAD TO COLLAPSE AND MAY CAUSE SERIOUS INJURY.**

# SOFA



- Please keep instructions for future reference.
- Check the quantity and irregularity of parts and hardware before you start.



## PARTS

#1 1pc



Left Seat Frame

#2 1pc



Left Seat Cushion

#3 1pc



Left Back Cushion

#4 1pc



Right Seat Frame

#5 1pc



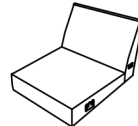
Right Seat Cushion

#6 1pc



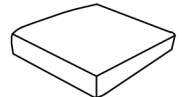
Right Back Cushion

#7 2pcs



Chair Frame

#8 2pcs



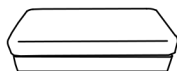
Chair Seat

#9 2pcs



Chair Back

#10 1pc



Ottoman

#11 4pcs



Pillow

#12 22pcs



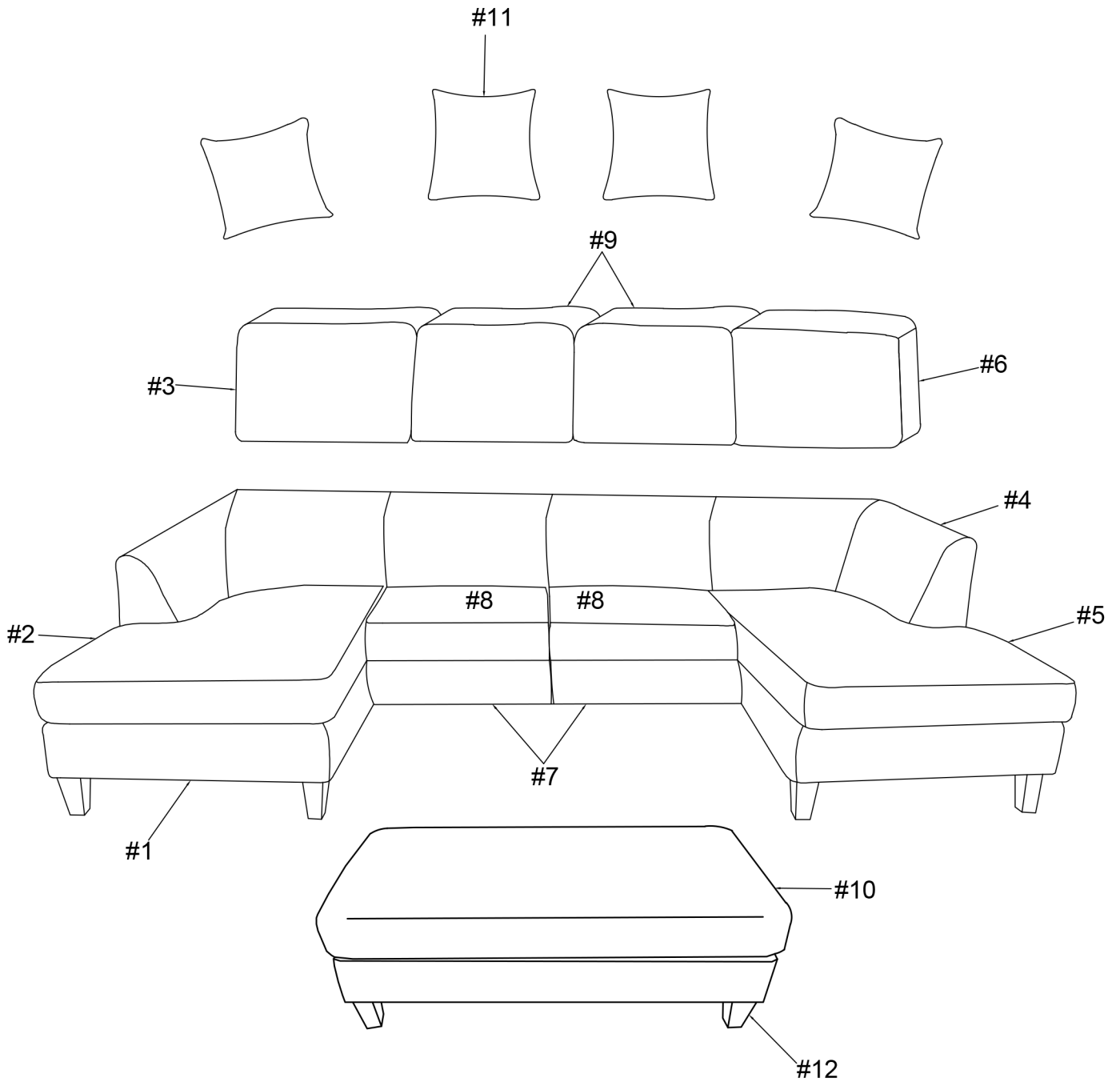
Leg

#13 22pcs



Plastic Washer

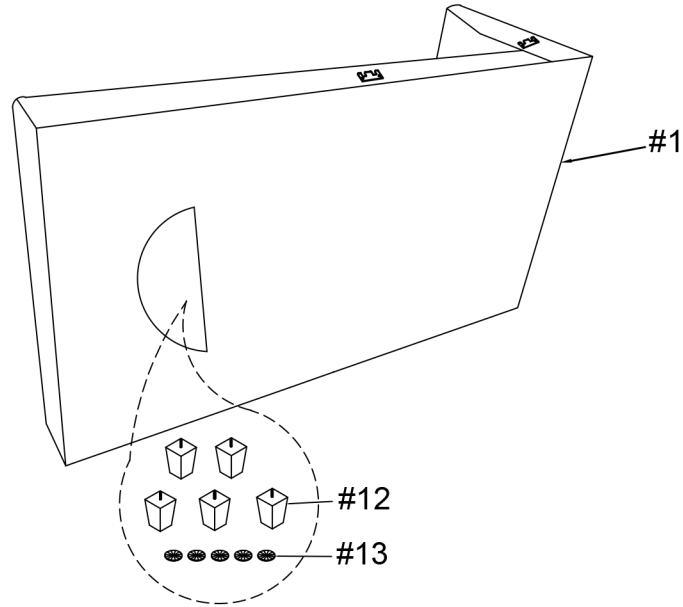
# Exploded View



# ASSEMBLY INSTRUCTIONS

1

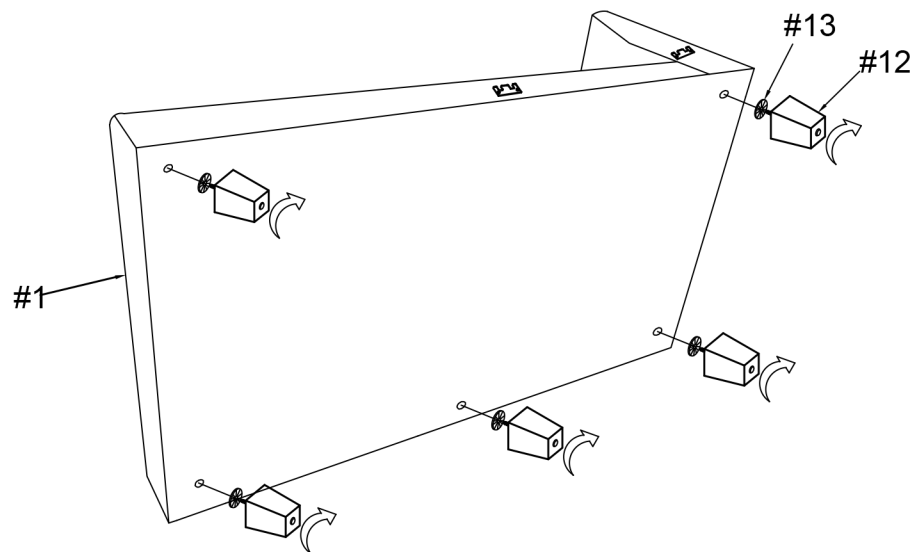
Remove parts from the bottom compartment of the left seat frame (#1).



2

- Part #1 x1pc
- Part #12 x5pcs
- Part #13 x5pcs

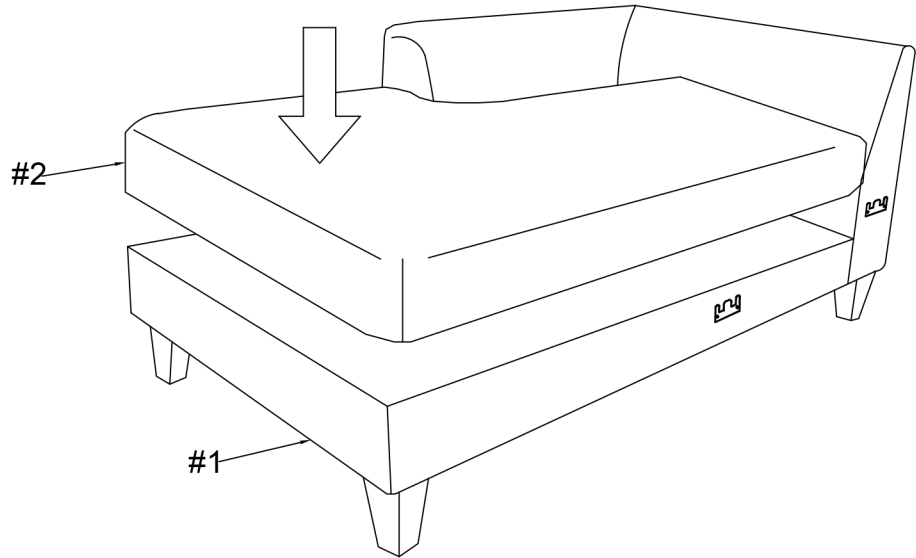
Align and attach legs (#12) with washers (#13) to left seat frame (#1).



# ASSEMBLY INSTRUCTIONS

## 3

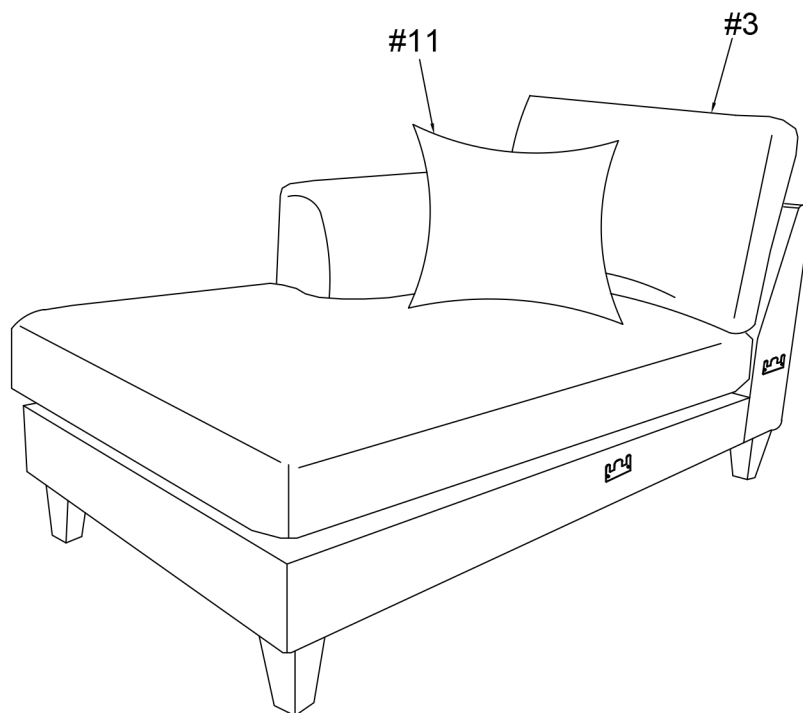
Part #2 x1pc



## 4

Part #3 x1pc

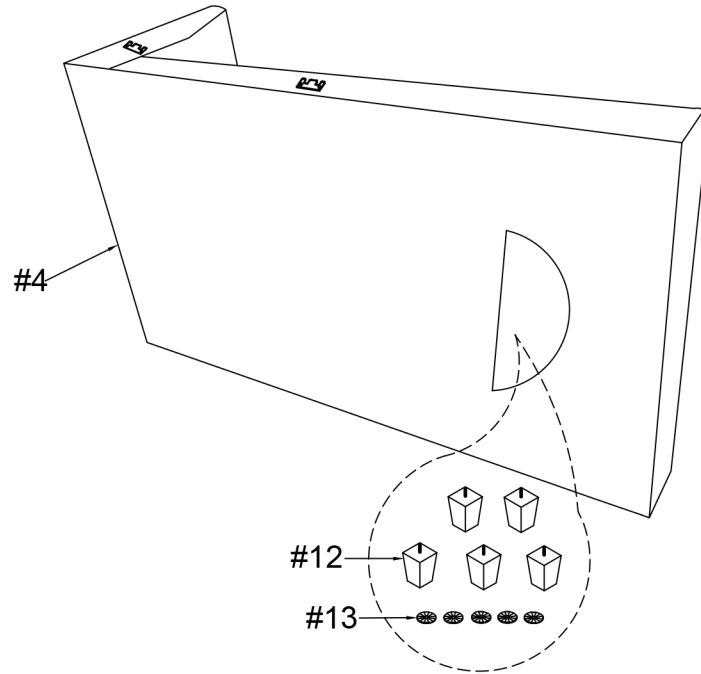
Part #11 x1pc



# ASSEMBLY INSTRUCTIONS

5

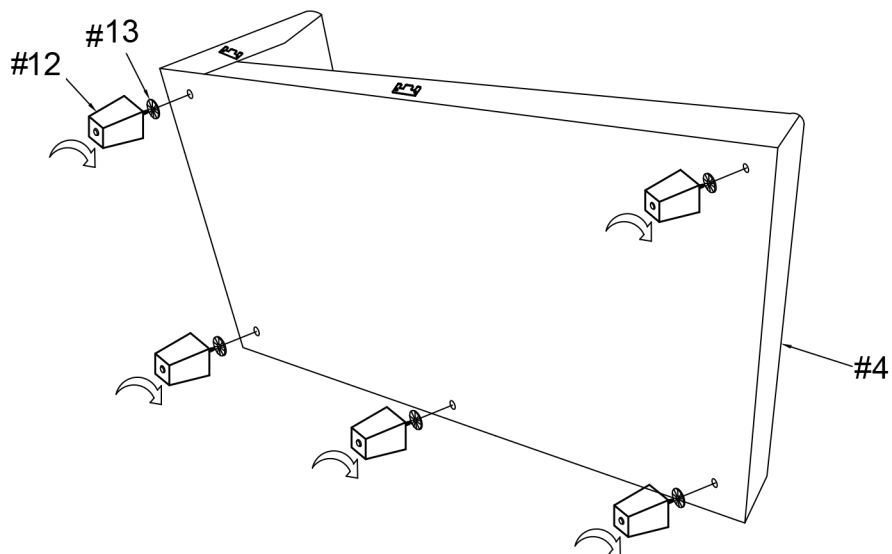
Remove parts from the bottom compartment of the right seat frame (#4).



6

- Part #4 x1pc
- Part #12 x5pcs
- Part #13 x5pcs

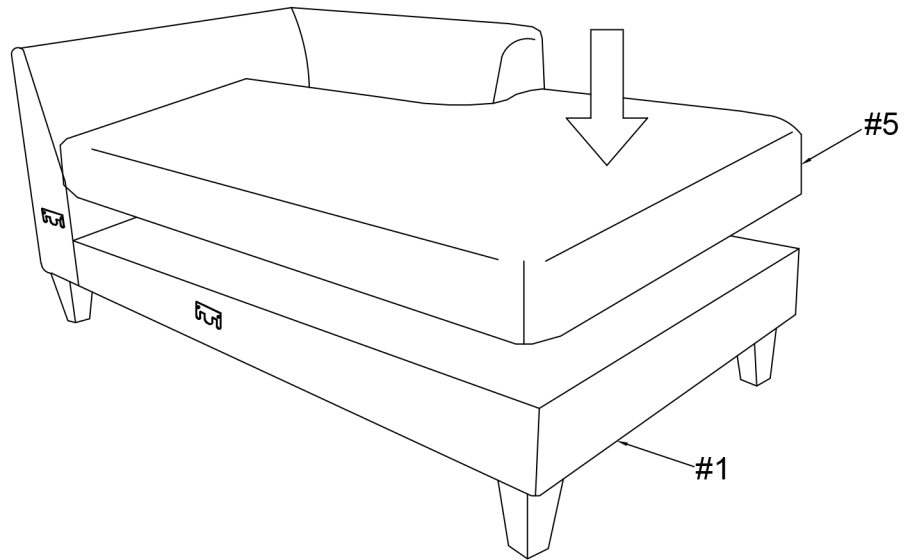
Attach legs (#12) with washers (#13) to right seat frame (#4).



# ASSEMBLY INSTRUCTIONS

7

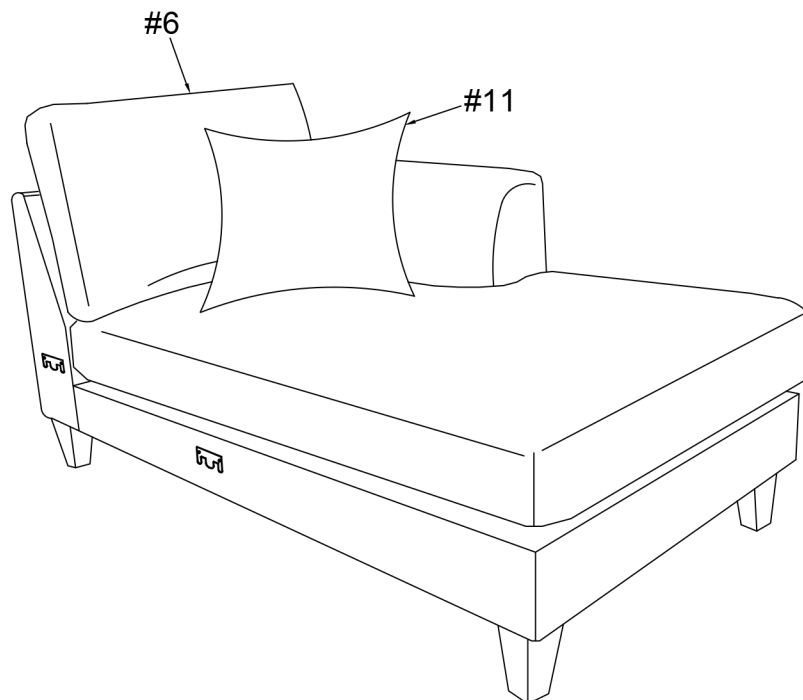
Part #5 x1pc



8

Part #6 x1pc

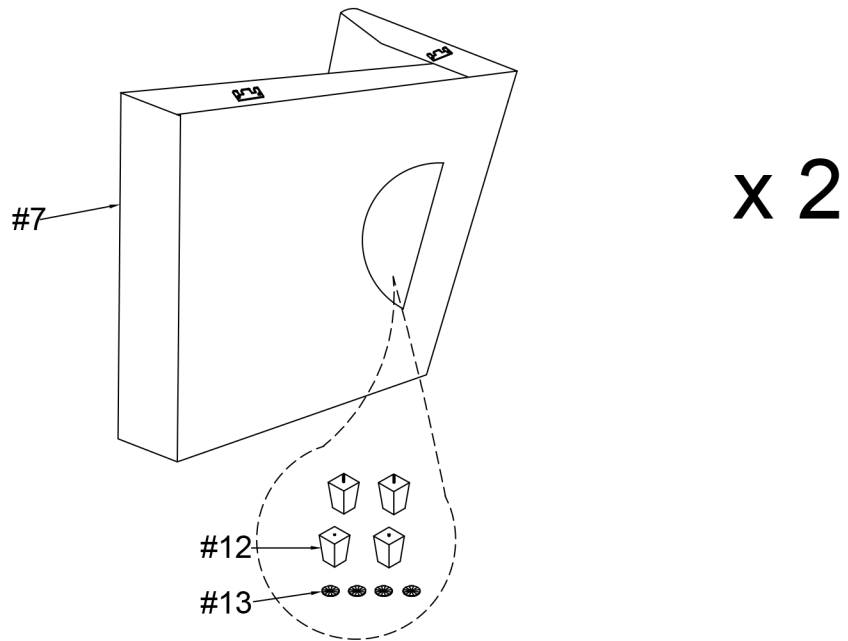
Part #11 x1pc



# ASSEMBLY INSTRUCTIONS

9

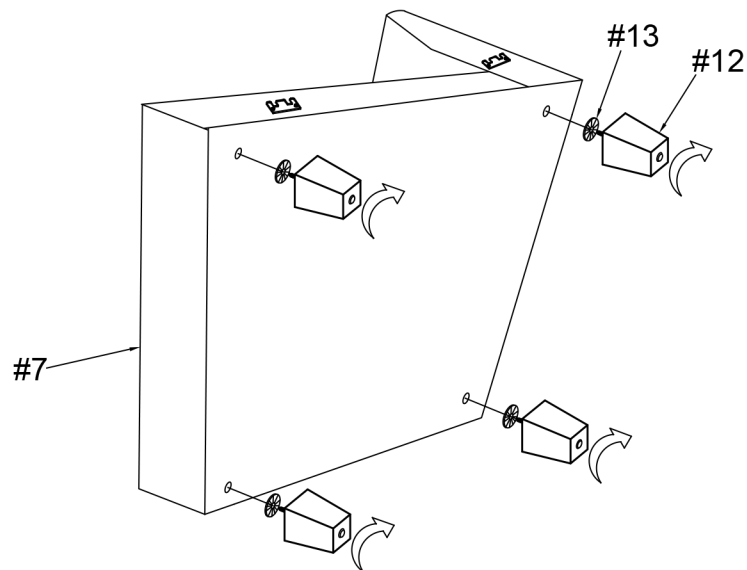
Remove parts from bottom compartment of chair frame (#7).



10

- Part #7 x1pc
- Part #12 x4pcs
- Part #13 x4pcs

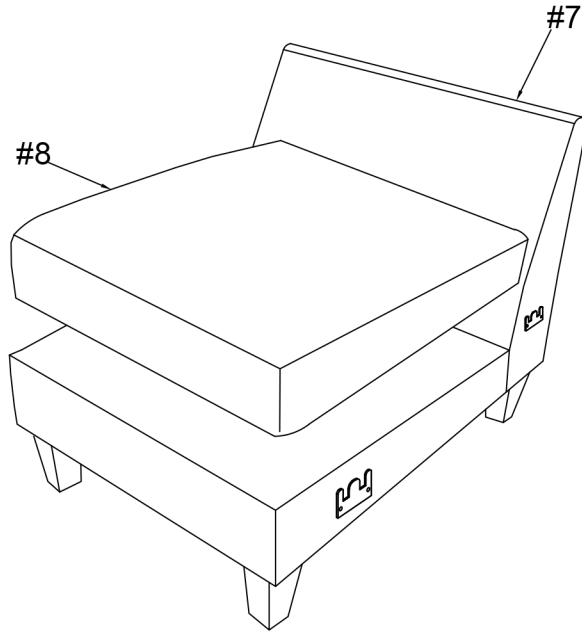
Attach legs (#12) with washers (#13) to the chair frame (#7).



# ASSEMBLY INSTRUCTIONS

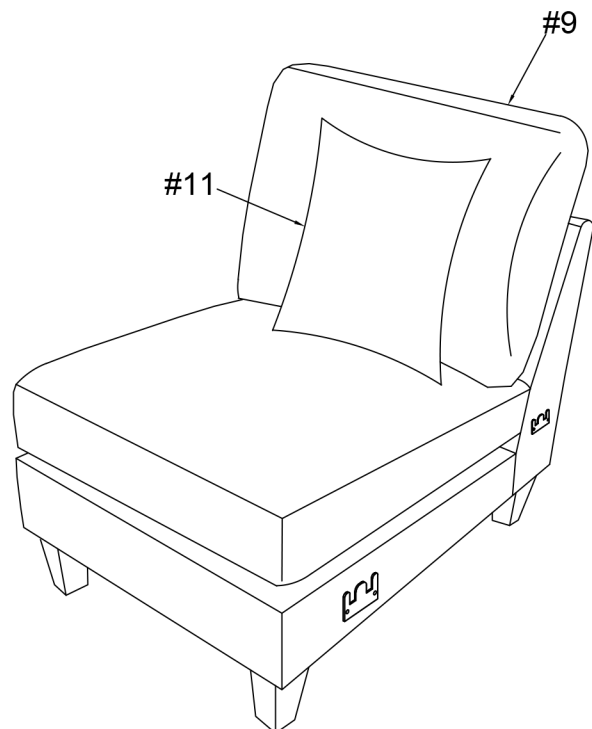
## 11

Part #8 x1pc



## 12

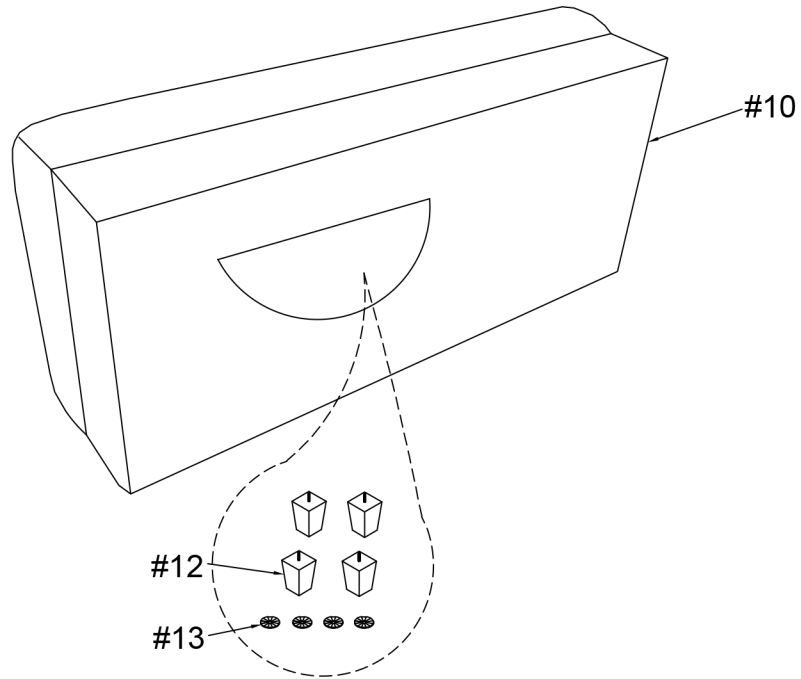
Part #9 x1pc  
Part #11 x1pc



# ASSEMBLY INSTRUCTIONS

## 13

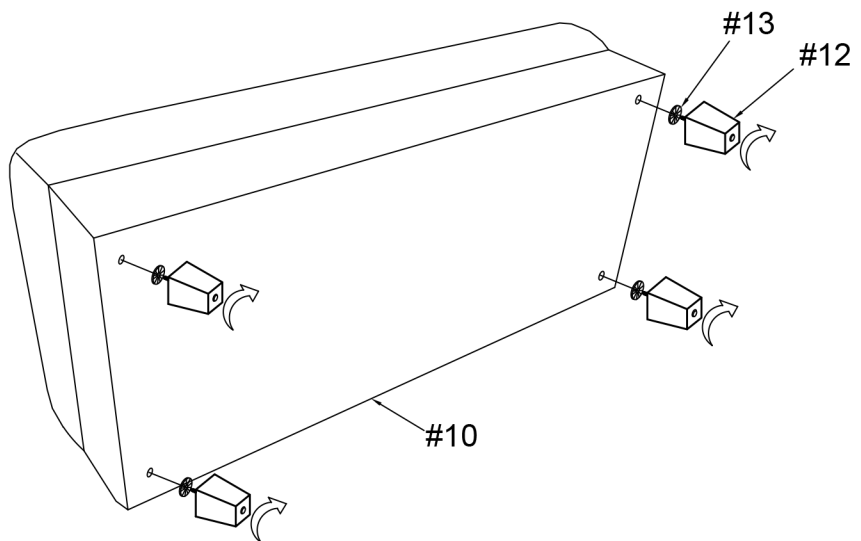
Remove parts from the bottom compartment of the ottoman (#10).



## 14

- Part #10 x1pc
- Part #12 x4pcs
- Part #13 x4pcs

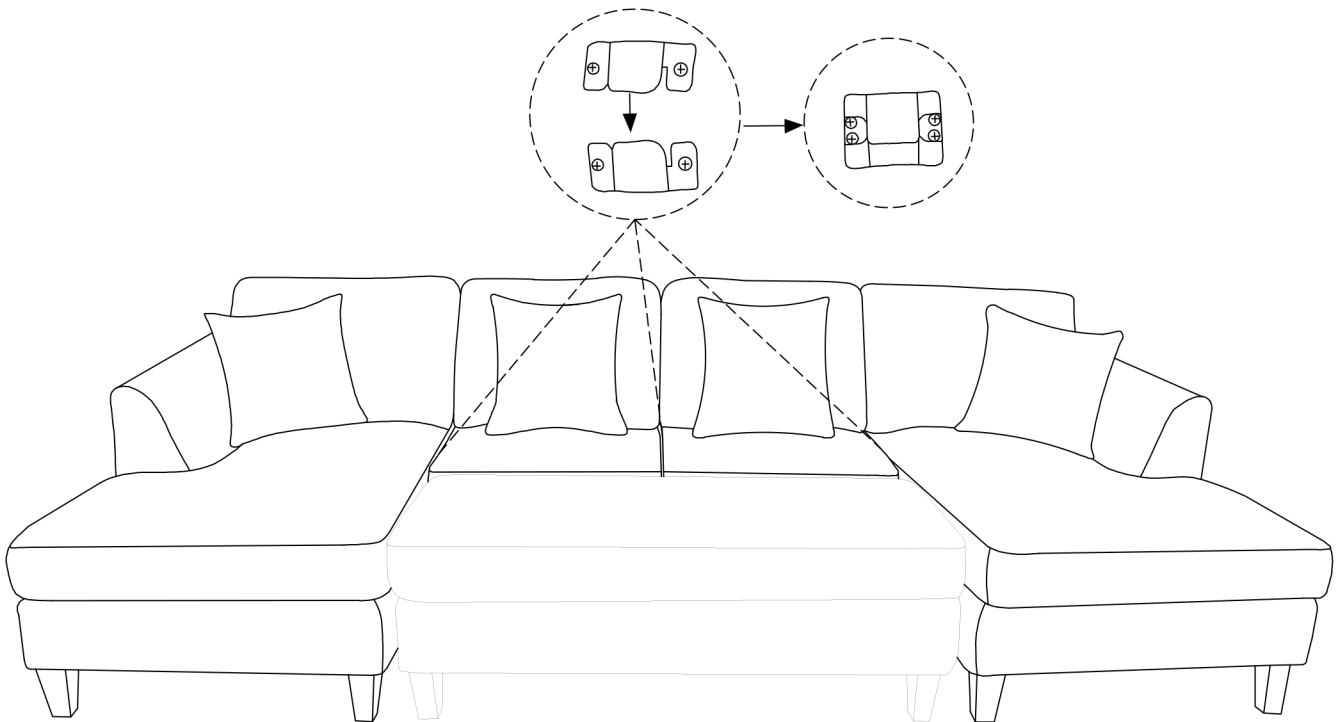
Attach legs (#12) with washers (#13) to the ottoman (#10).



# ASSEMBLY INSTRUCTIONS

15

Align and hook the metal brackets of the sectional pieces together.



## ASSEMBLY COMPLETED



Please ensure the furniture rests on an even and flat surface. If the product wobbles or feels loose, double-check all bolts and/or screws are properly tightened and secured.



### Keep this handy!

Please retain this instruction manual and any order-related information for future reference.



### Lift, don't drag!

To avoid damage to product please always LIFT the product when transporting or adjusting the placement.