

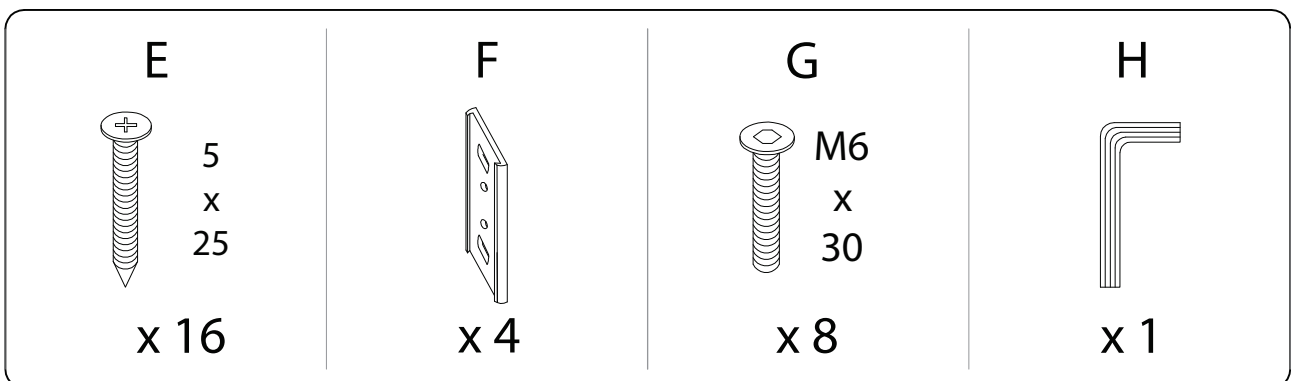
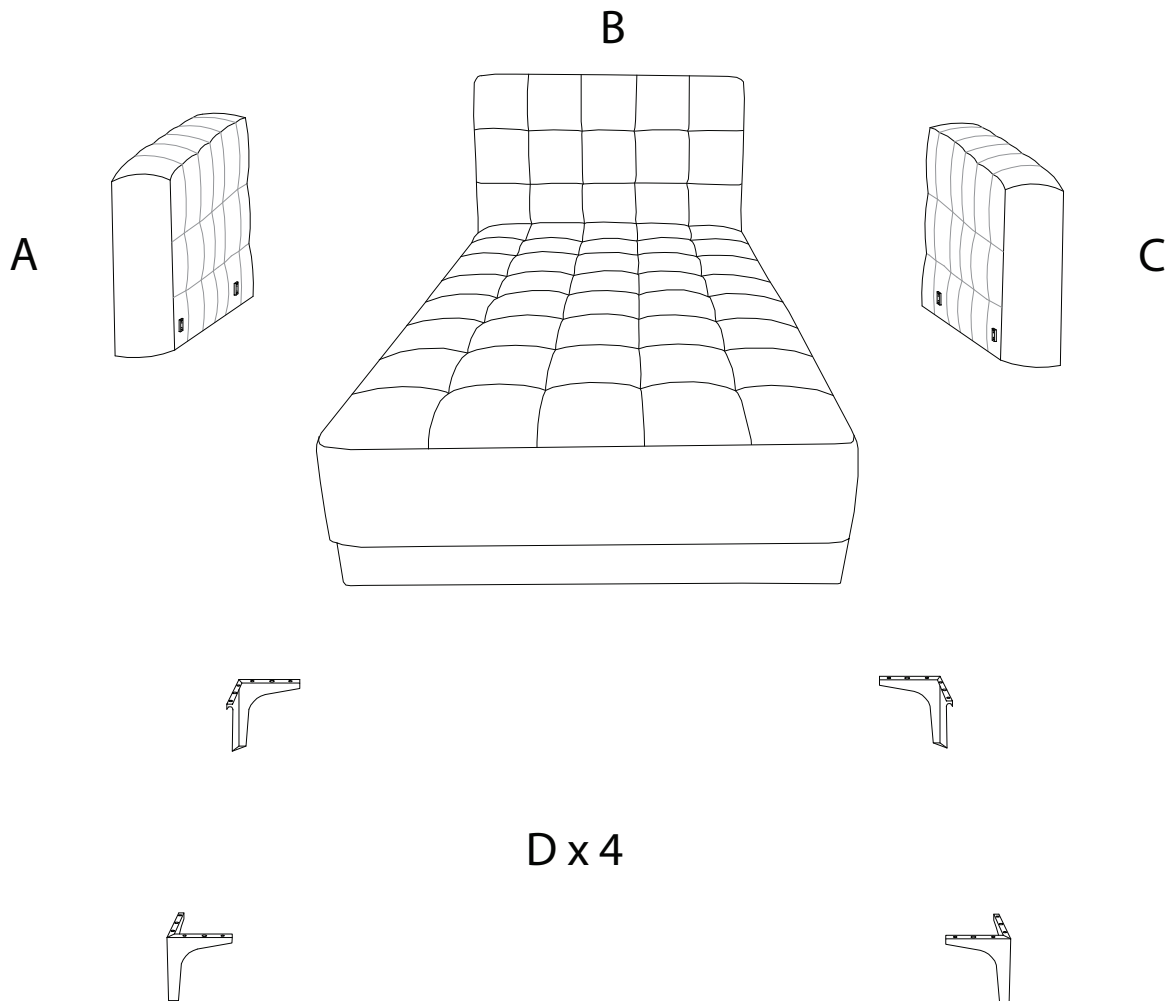
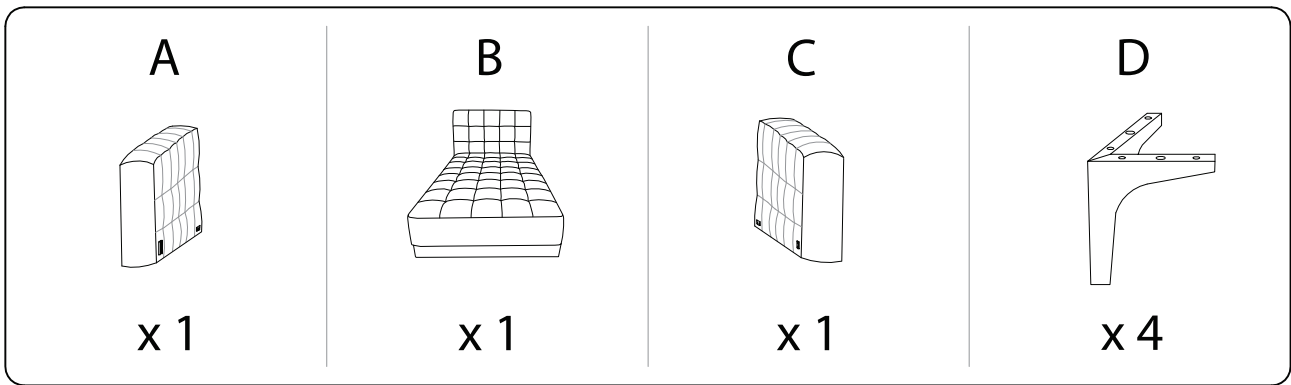
Assembly instructions for the chair, including tool requirements, time, and personnel.

**Tools:** An icon shows an Allen key and a screwdriver inside a circle, and a power drill with a slash through it, indicating that a power drill is not required.

**Time:** A clock icon indicates an estimated assembly time of 30 minutes.

**Personnel:** An icon of a person and the number 2 indicate that two people are required for assembly.

**Warnings:** Two warning triangles (exclamation marks) are present. The top one is connected to the tool icons, and the bottom one is connected to the personnel icon.



1

B



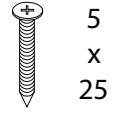
x 1

D

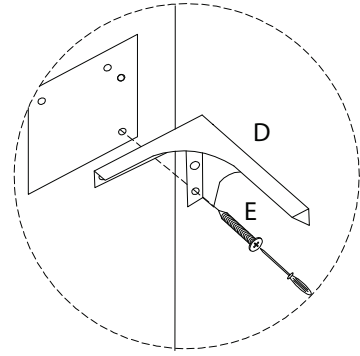
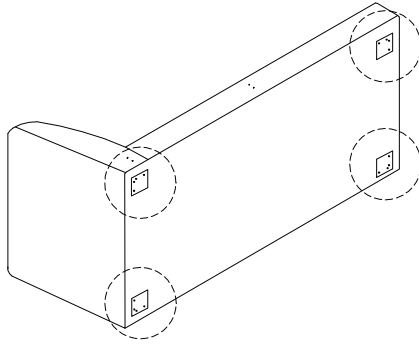


x 4

E



x 16



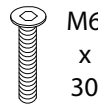
2

F



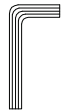
x 4

G

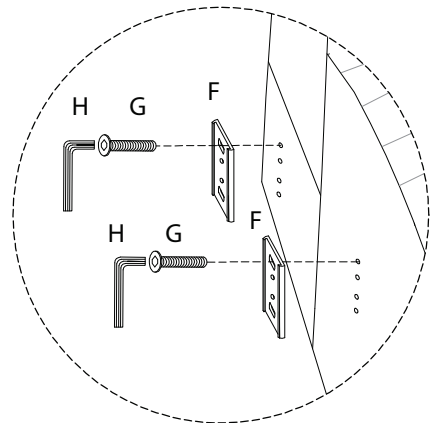
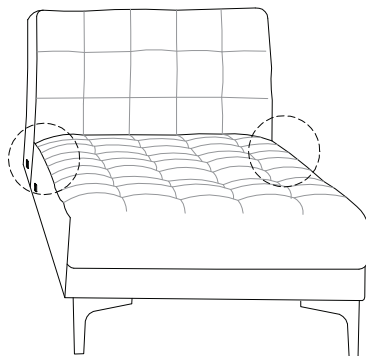


x 8

H



x 1



3

A



x 1

C



x 1

