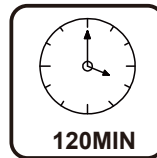
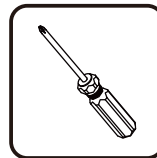
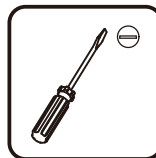


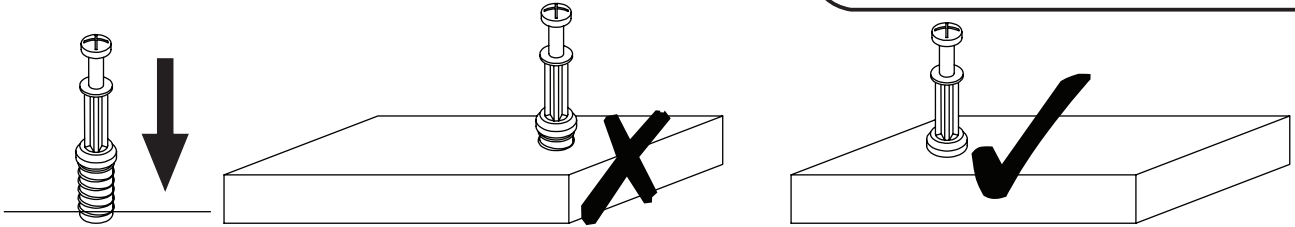
HLG026

Version: 1.0

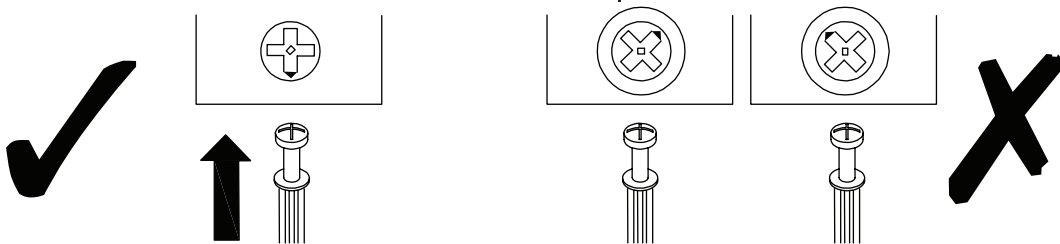


EN_IMPORTANT, RETAIN FOR FUTURE REFERENCE: READ CAREFULLY.

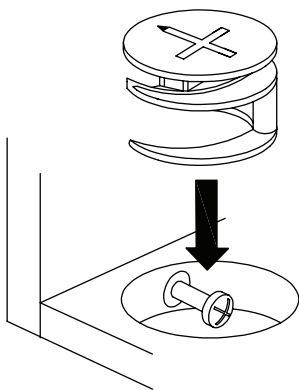
USING CAM LOCK AND QUICKFIT



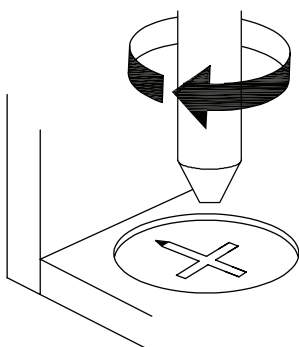
EN_QUICKFIT: Tighten quickfit until shoulder is flush with panel. Do not overtighten or undertighten.



EN_CAM LOCK: When fitting cam lock, ensure starting position is correct before you insert connecting quickfit.

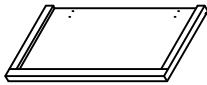


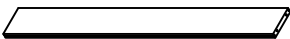

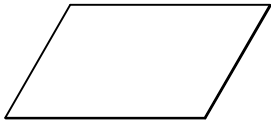



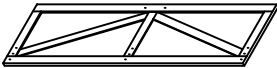


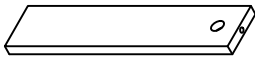

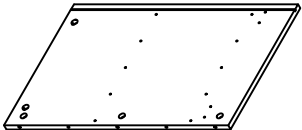
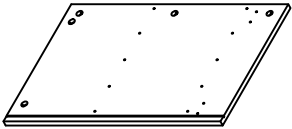
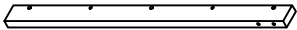
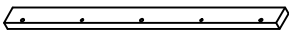
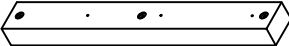
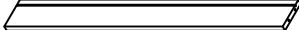
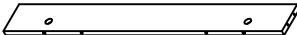
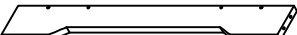
EN_Quickfit head should be in the centre of the cam lock when the two panels are joined.
Cam lock should be inserted before quickfit.

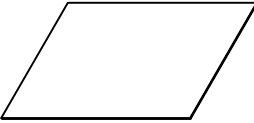

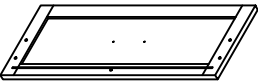
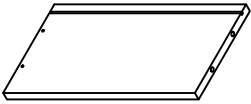






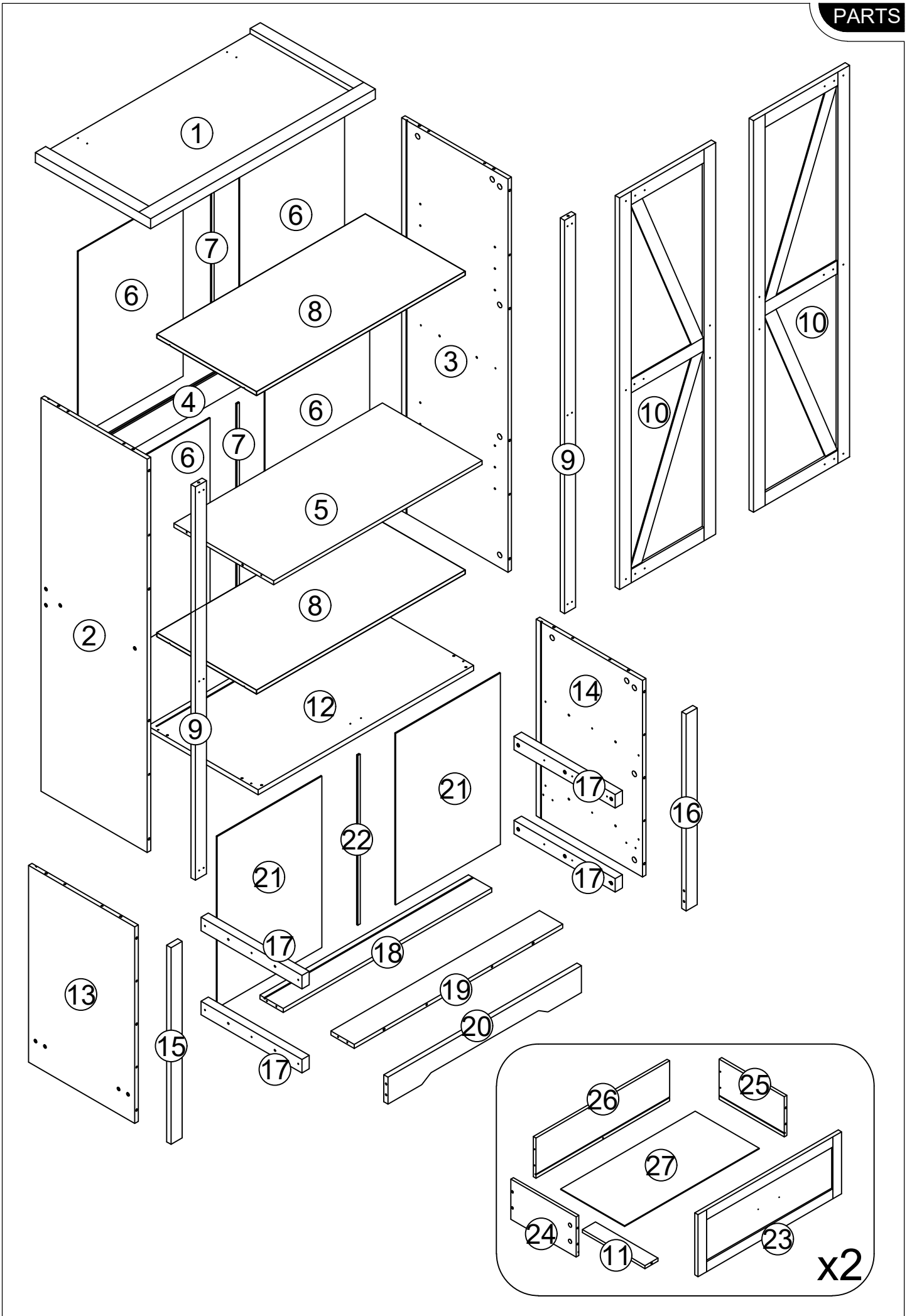
EN_Turn cam lock clockwise to tighten.

PACKING DELALS

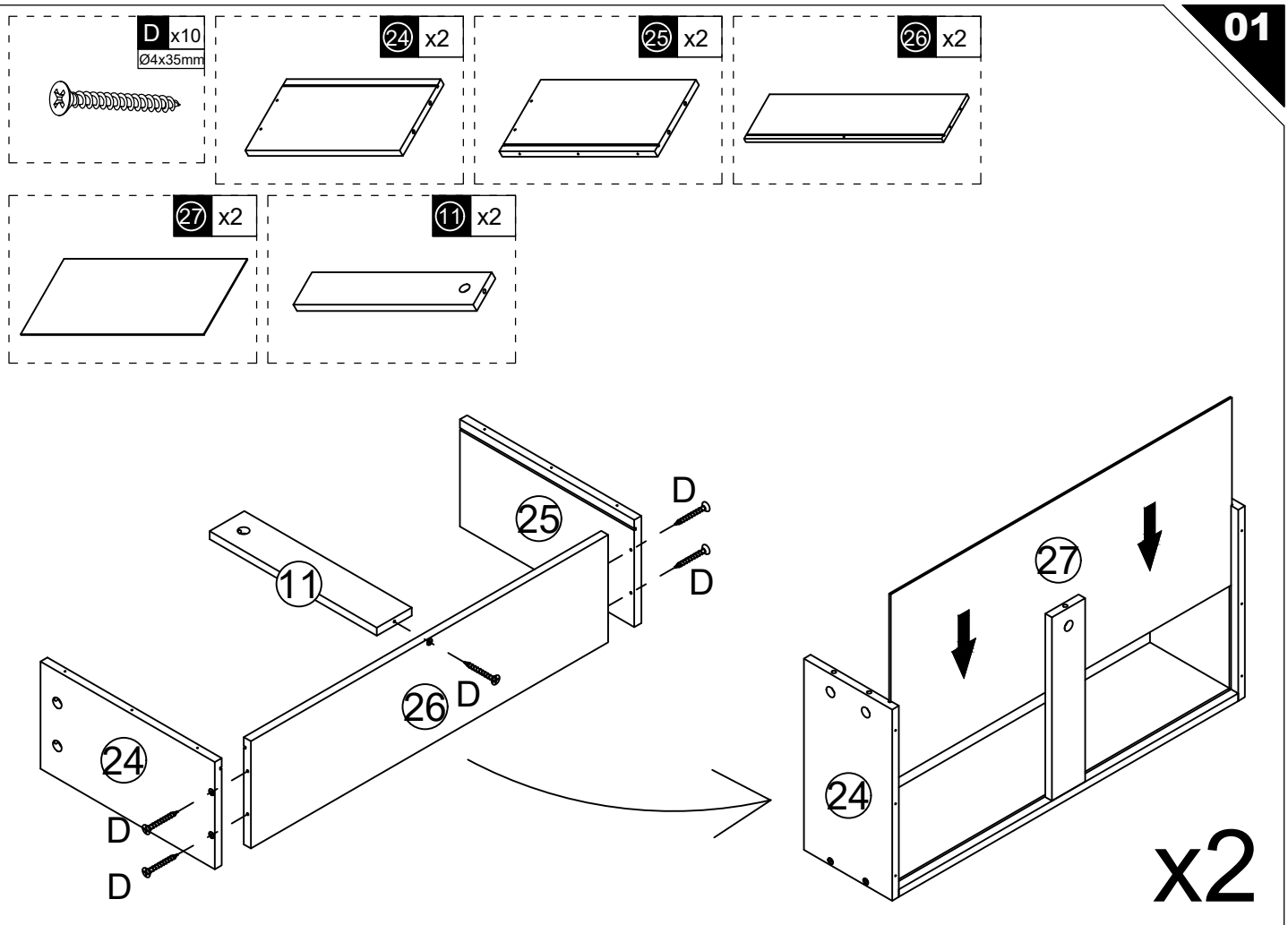
NO.	PARTS	QTY	SPARE
①		x1	
②		x1	
③		x1	
④		x1	
⑤		x1	
⑥		x4	
⑦		x2	
⑧		x2	
⑨		x2	
⑩		x2	

NO.	PARTS	QTY	SPARE
⑪		x2	
⑫		x1	
⑬		x1	
⑭		x1	
⑮		x1	
⑯		x1	
⑰		x4	
⑱		x1	
⑲		x1	
⑳		x1	

NO.	PARTS	QTY	SPARE
②1		x2	
②2		x1	
②3		x2	
②4		x2	
②5		x2	
②6		x2	
②7		x2	
	 Hardware Kit	x1	



A x34 Ø6x35mm +3(spare)	B x34 Ø15x10mm +3(spare)	C x42 Ø6x30mm +3(spare)	D x32 Ø4x35mm +3(spare)	E x24 Ø3x12mm +2(spare)	F x30 Ø4x12mm +3(spare)
G x2	H x4	I x8	J x2	K x4	L x4
M x4	N x6	O x12 Ø3x16mm +2(spare)	P x16 +2(spare)	Q x2	R x12 Ø4x30mm +1(spare)
CL x2 L300mm	CR x2 L300mm	DL x2 L300mm	DR x2 L300mm		



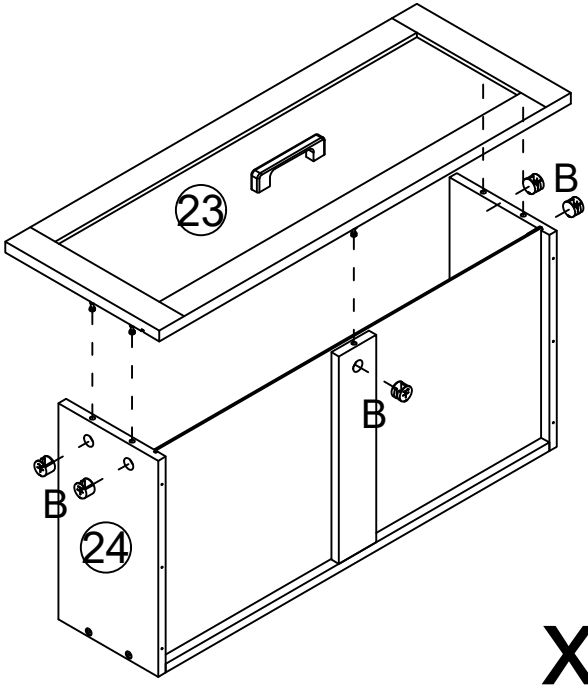
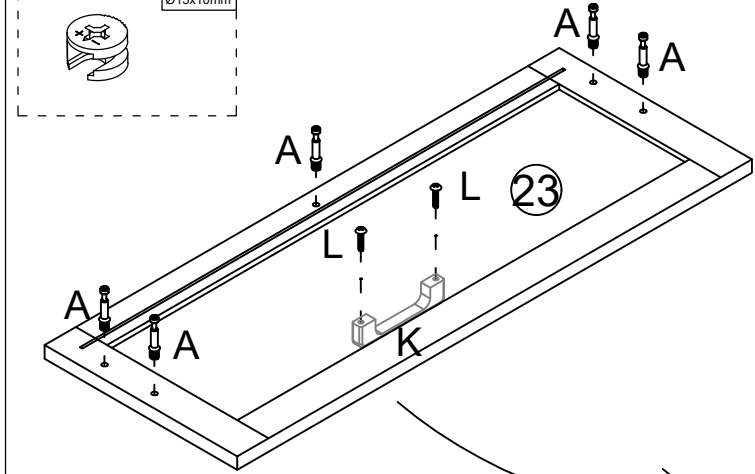
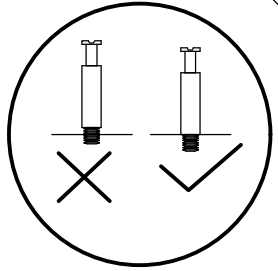
A x10
Ø6x35mm

K x2

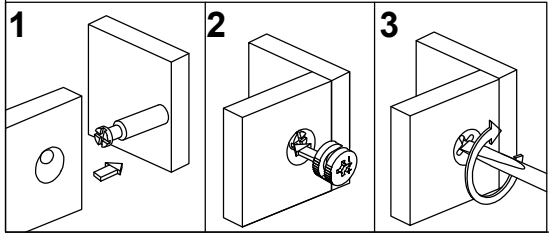
L x4

23 x2

B x10
Ø15x10mm



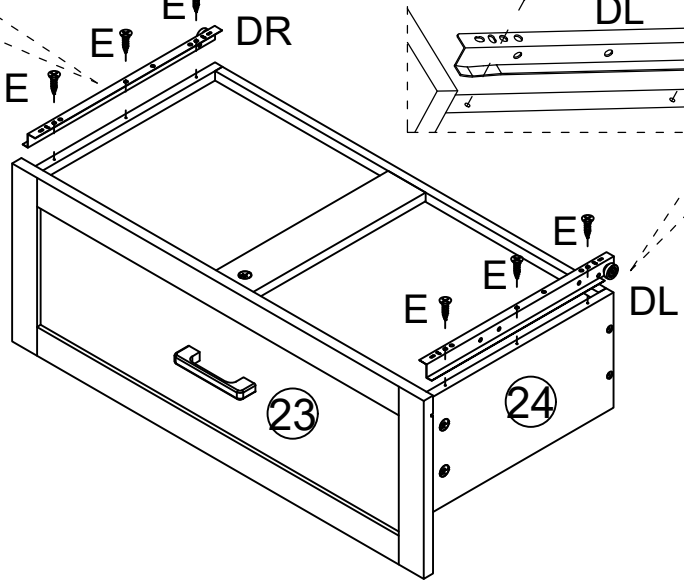
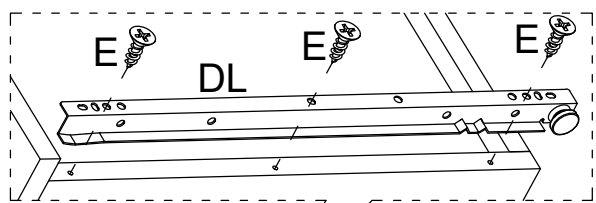
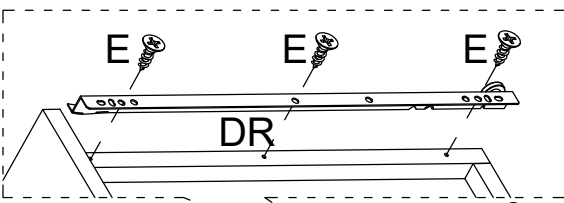
x2



E x12
Ø3x12mm

DL x2
L300mm

DR x2
L300mm



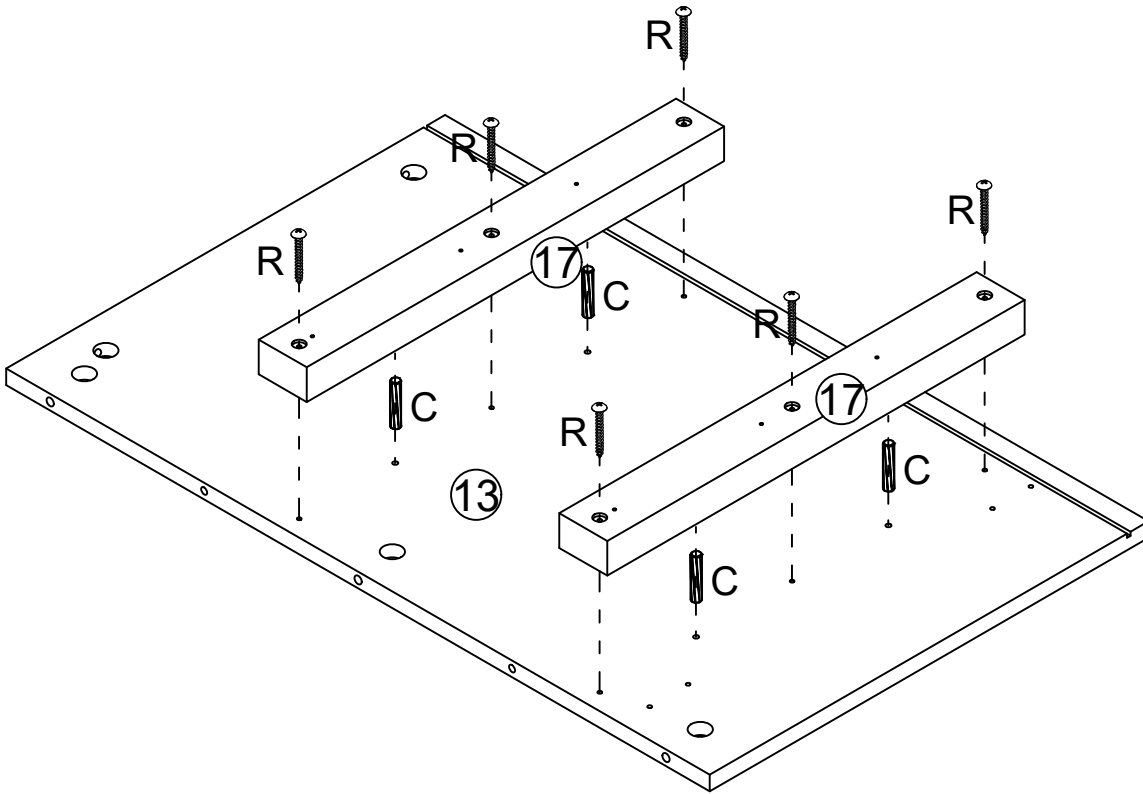
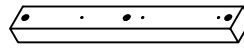
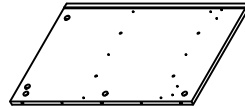
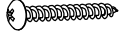
x2

C x4
Ø6x30mm

R x6
Ø4x30mm

13 x1

17 x2

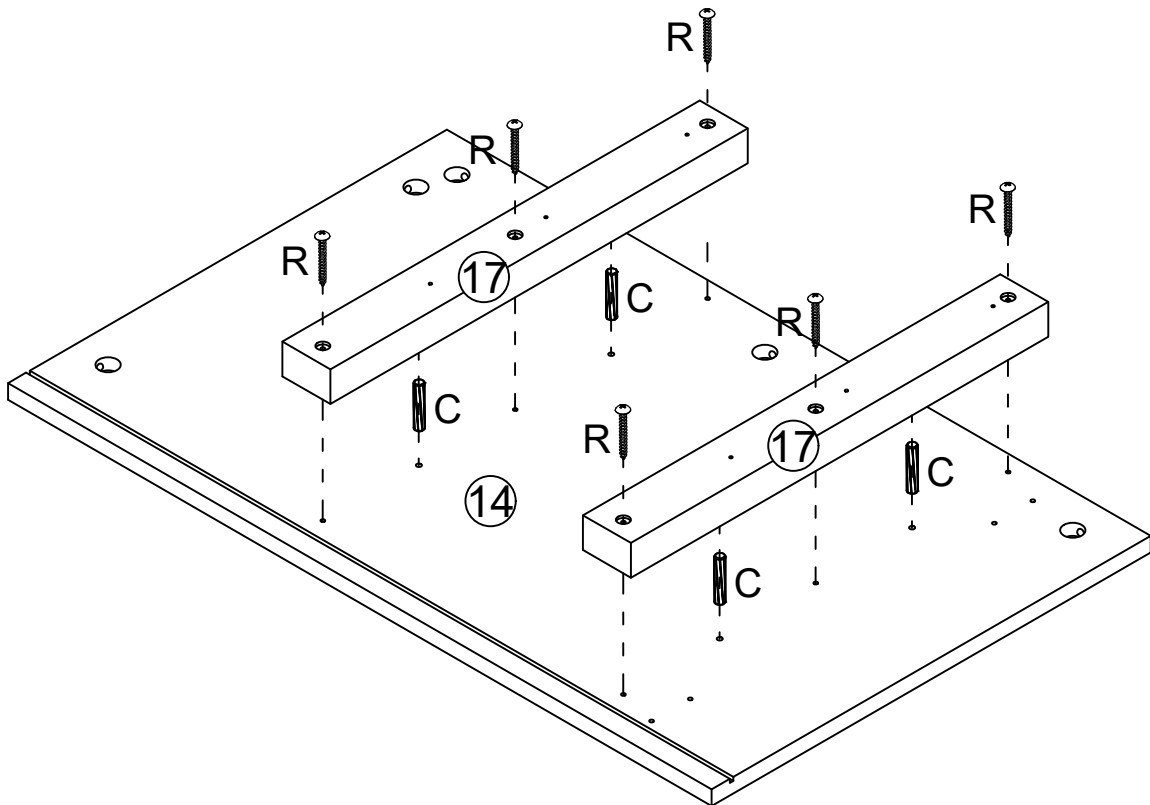
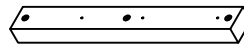
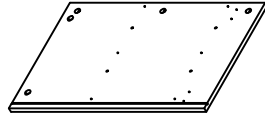
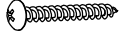


C x4
Ø6x30mm

R x6
Ø4x30mm

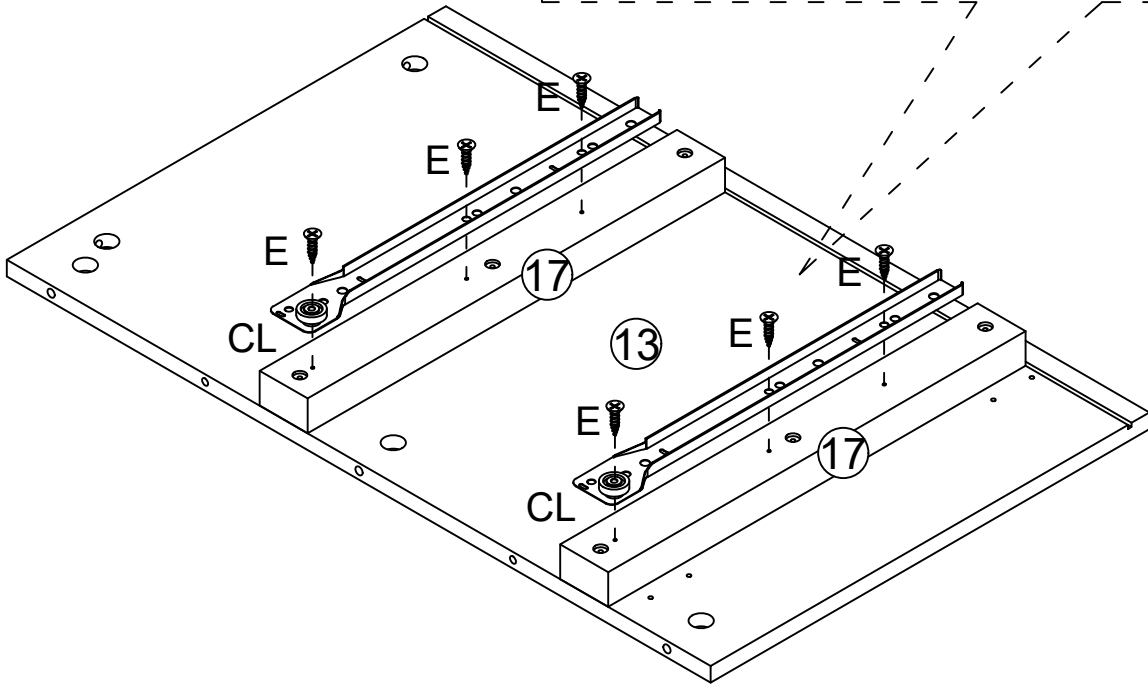
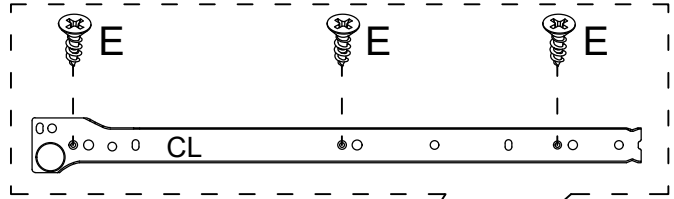
14 x1

17 x2



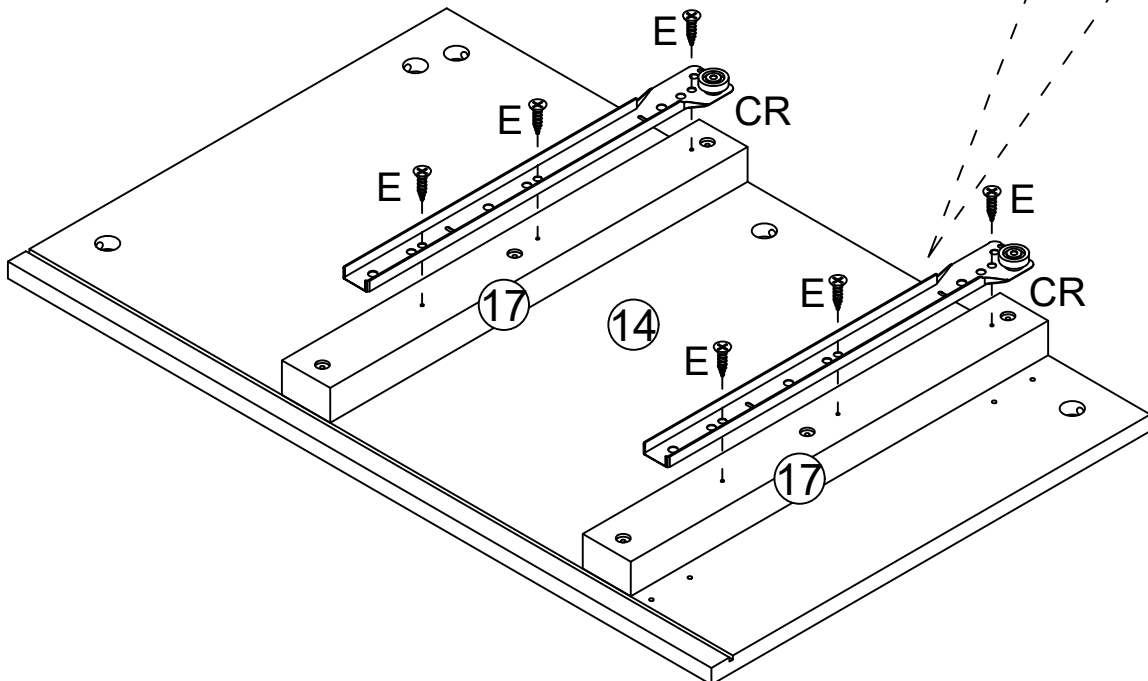
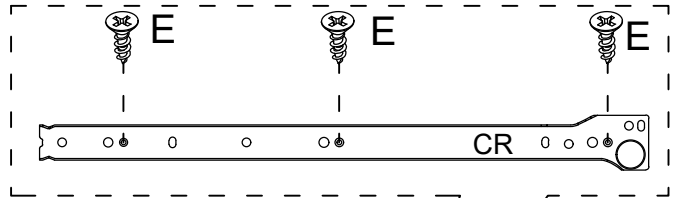
E x6
Ø3x12mm

CL x2
L300mm

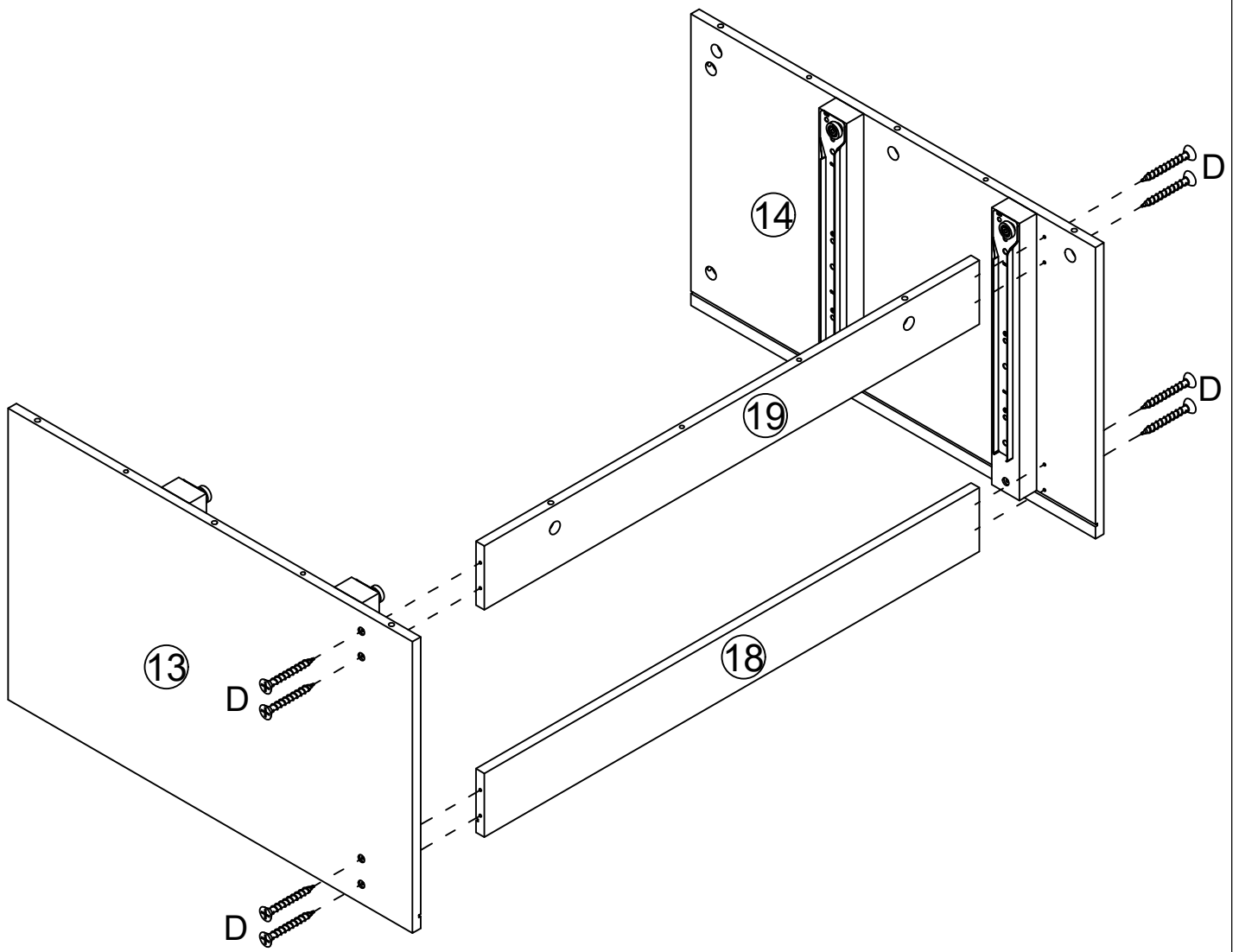


E x6
Ø3x12mm

CR x2
L300mm



D x8
Ø4x35mm

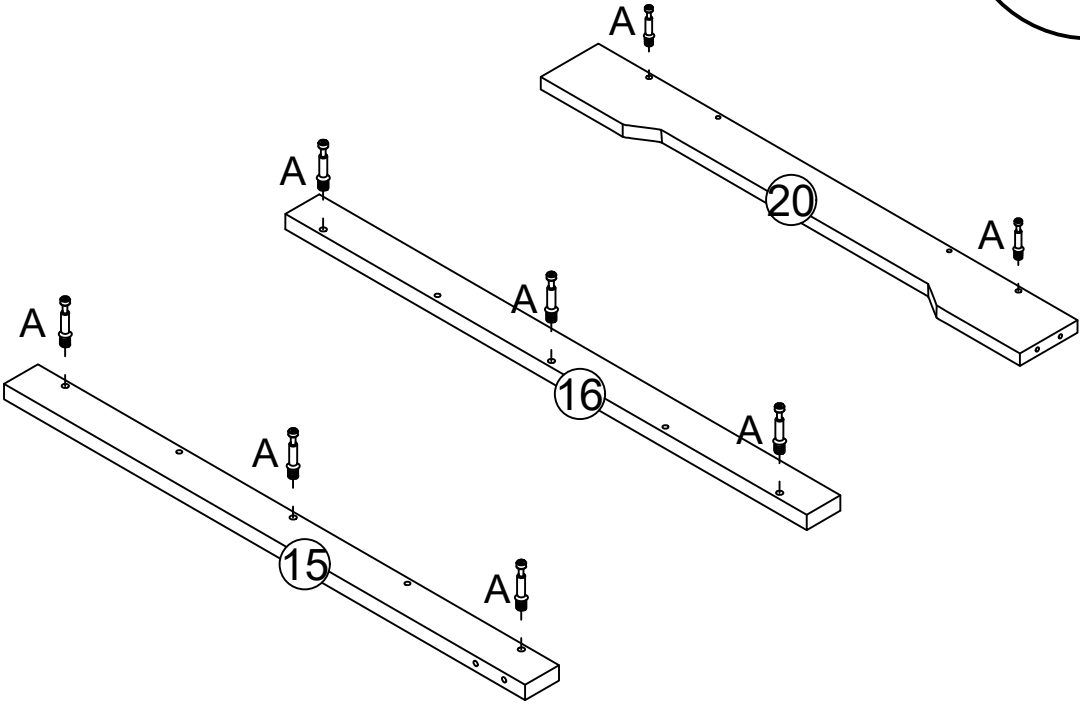
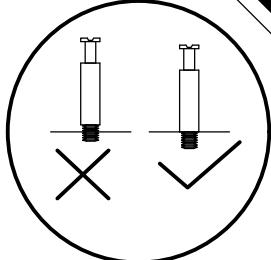


A x8
Ø6x35mm

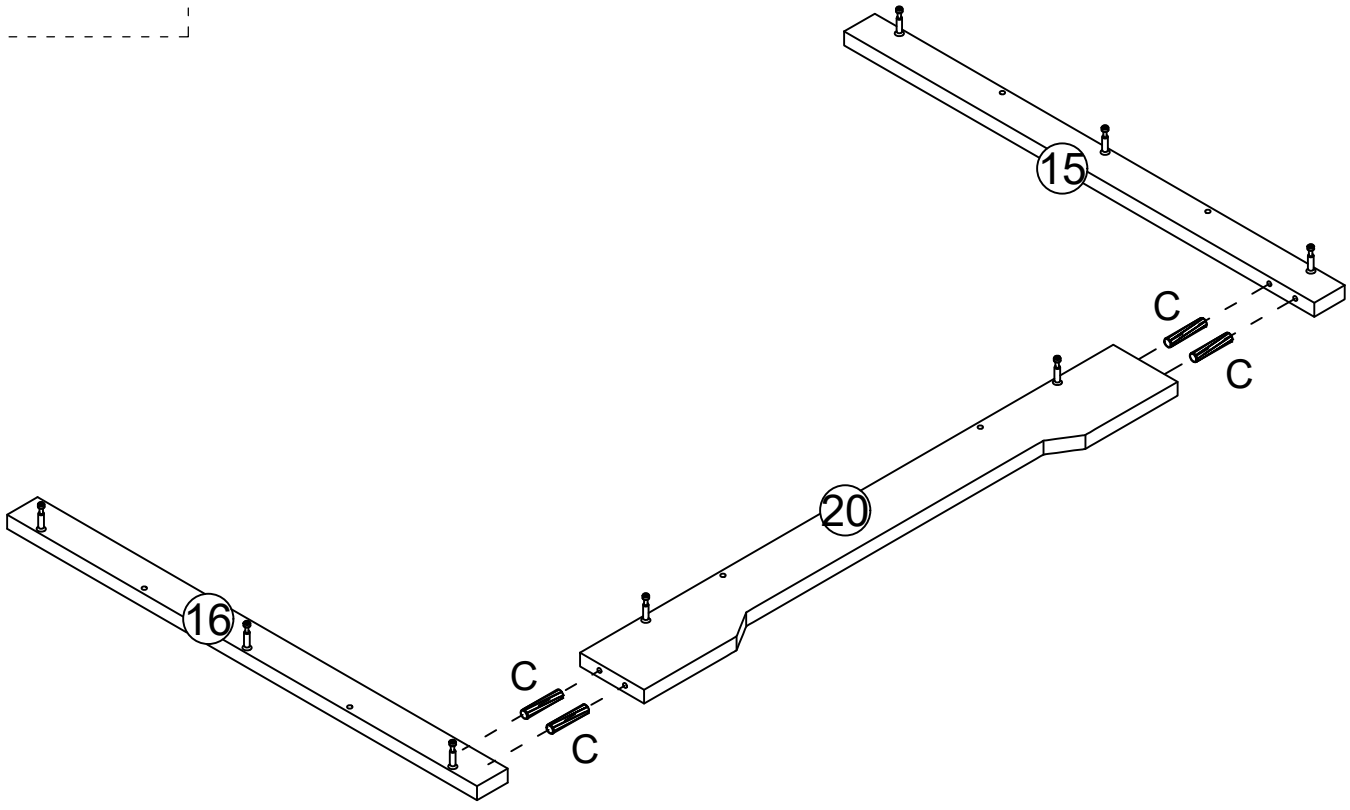
15 x1

16 x1

20 x1

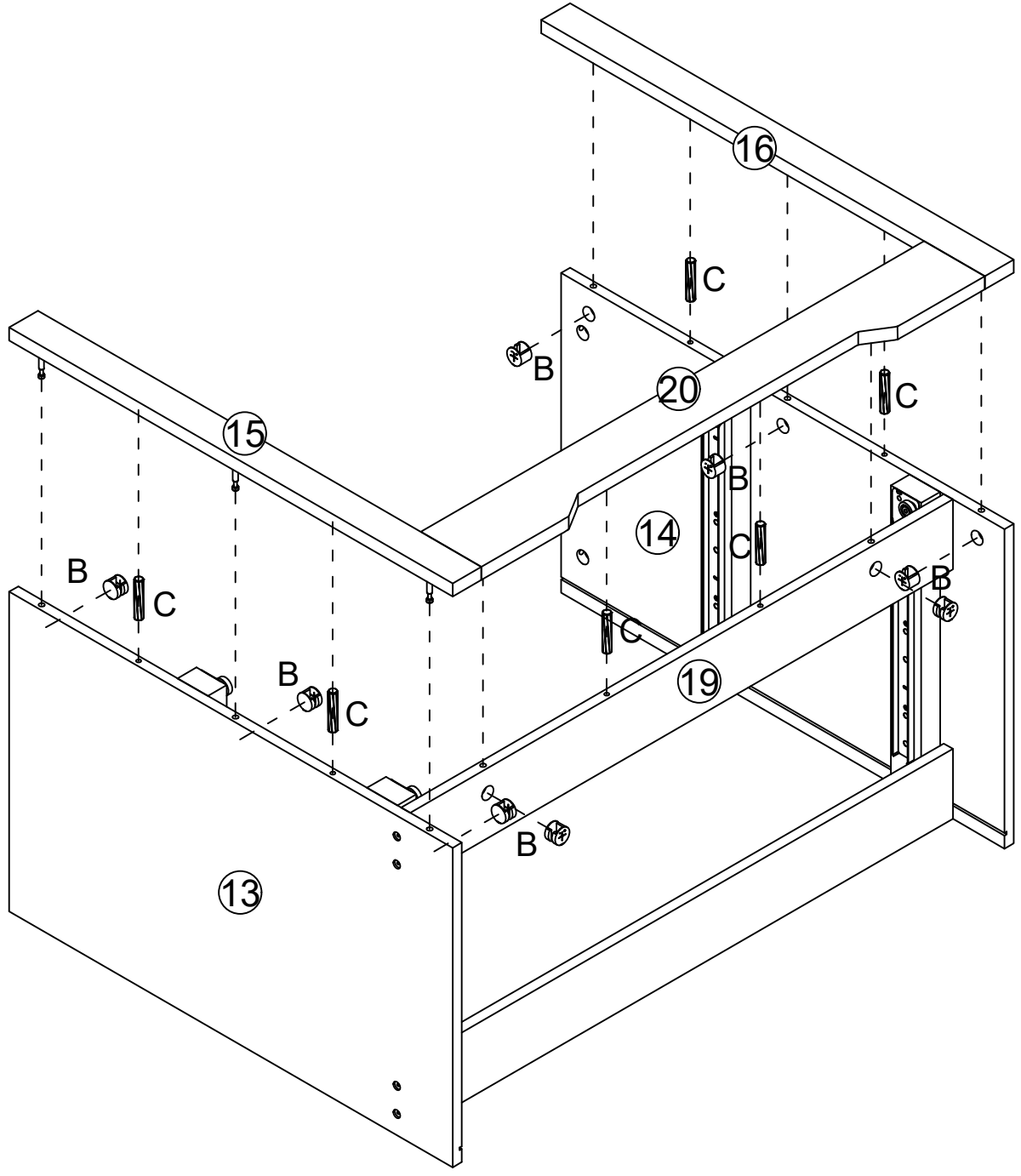
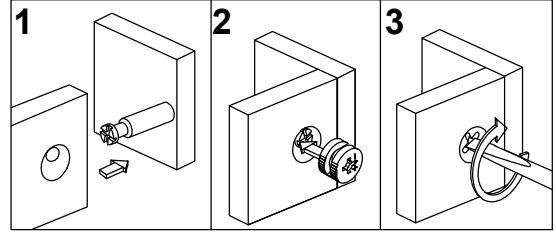


C x4
Ø6x30mm



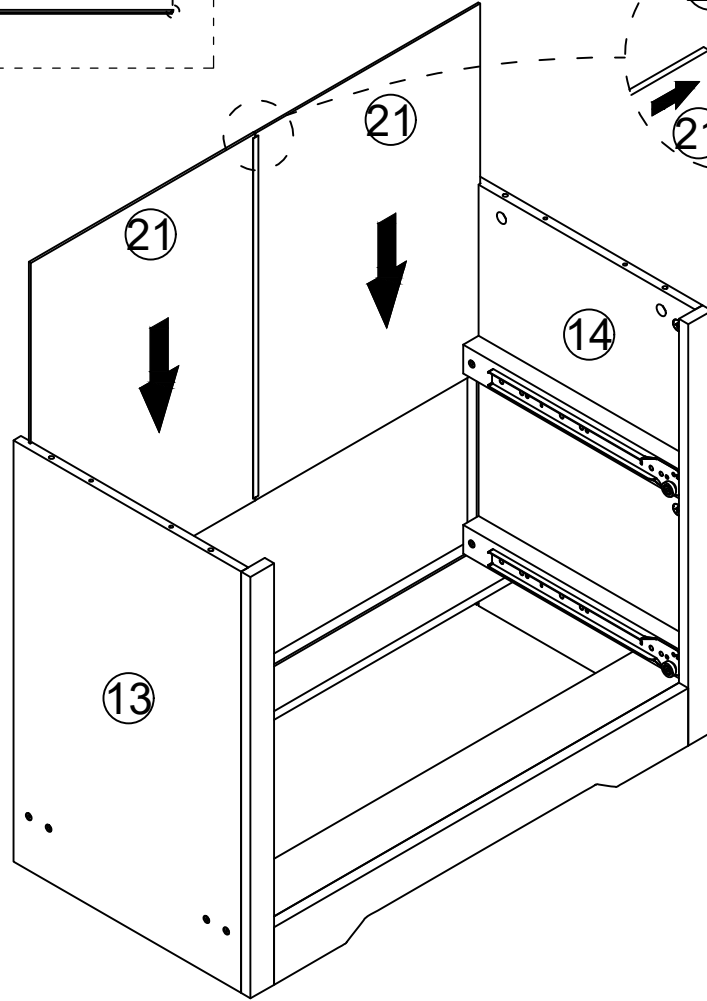
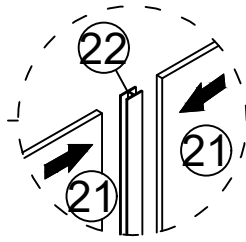
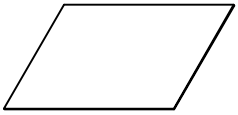
B x8
Ø15x10mm

C x6
Ø6x30mm



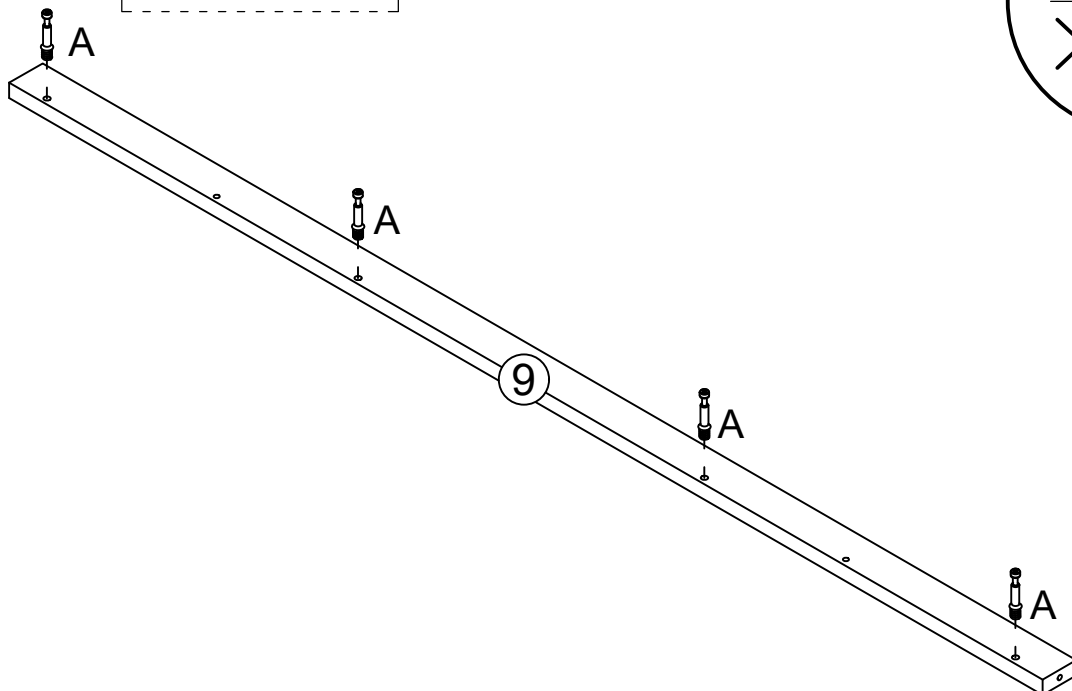
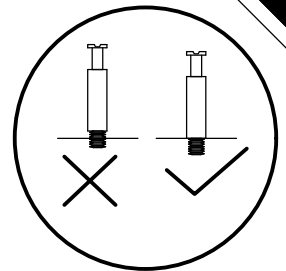
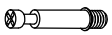
21 x2

22 x1



A x8
Ø6x35mm

9 x2



x2



B x8
Ø15x10mm

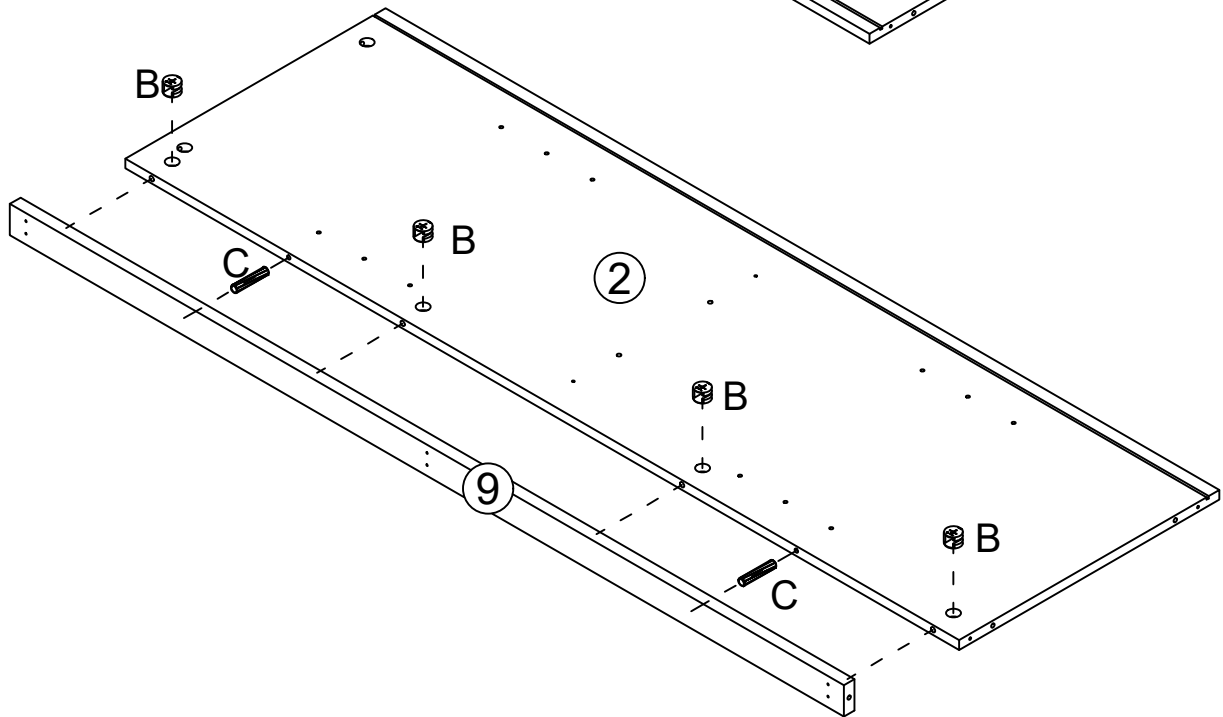
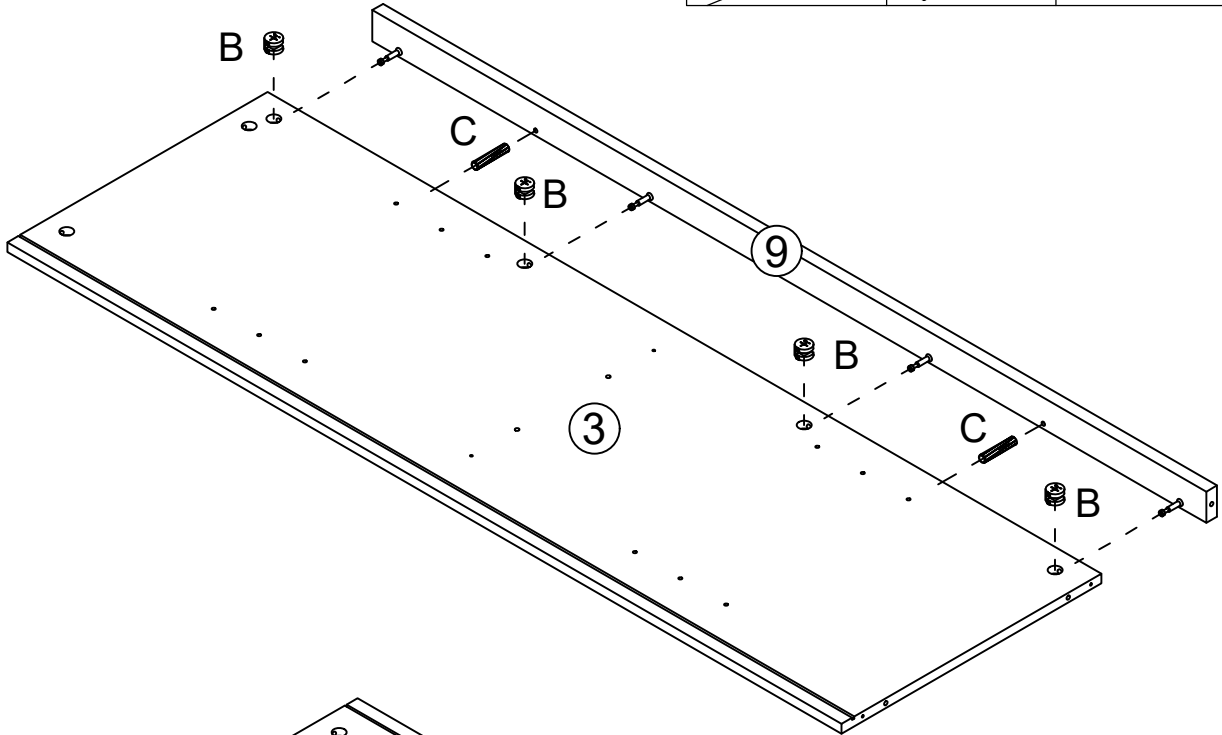
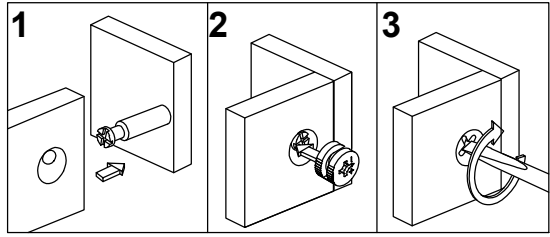
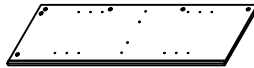


C x4
Ø6x30mm

2 x1



3 x1

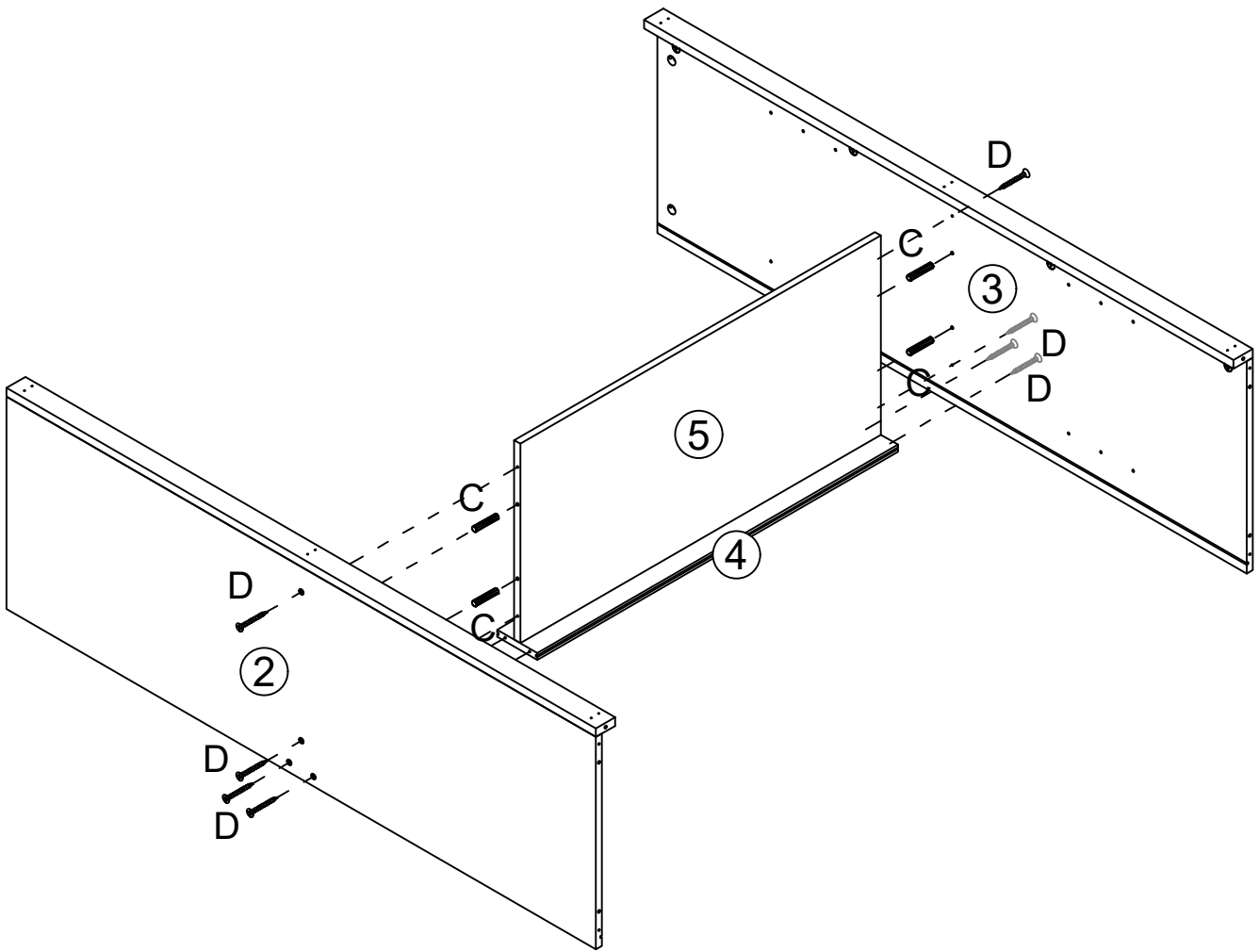


C x4
Ø6x30mm

D x8
Ø4x35mm

④ x1

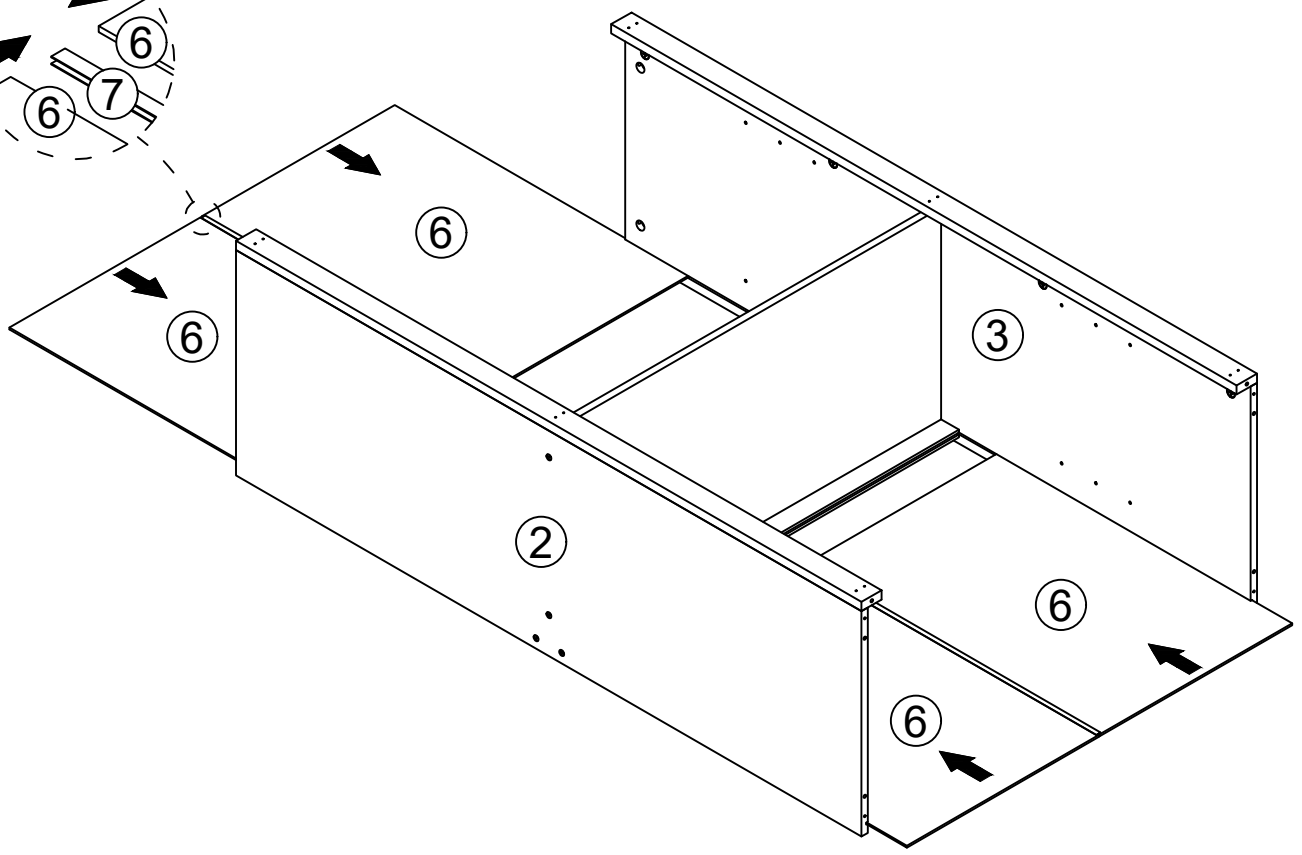
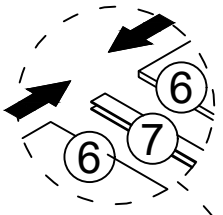
⑤ x1



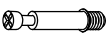
⑥ x4



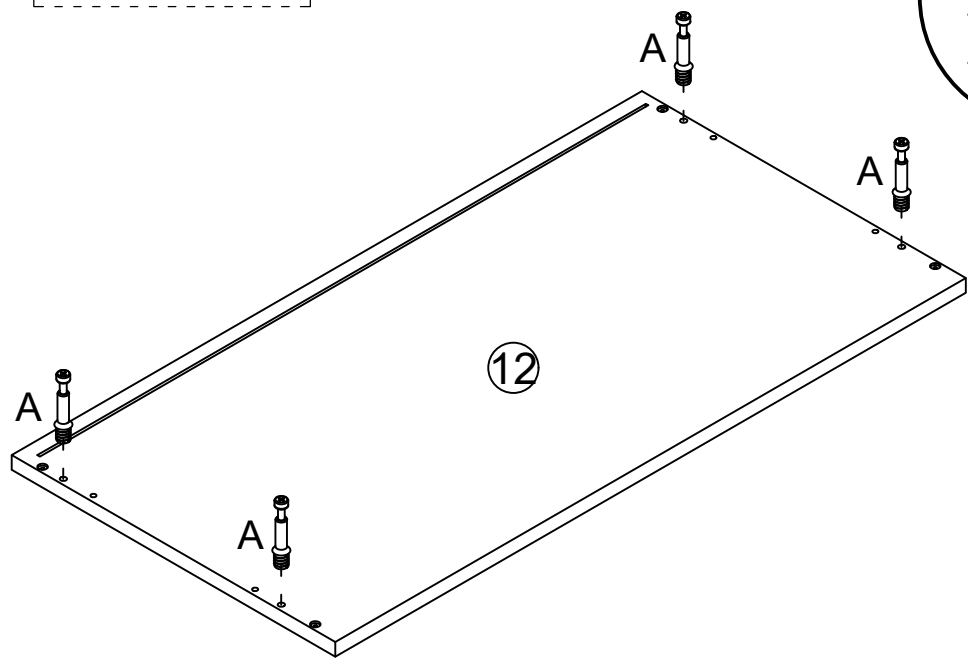
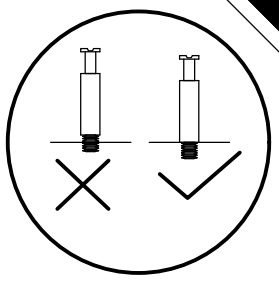
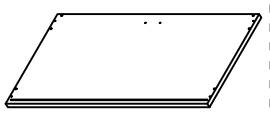
⑦ x2



A x4
Ø6x35mm

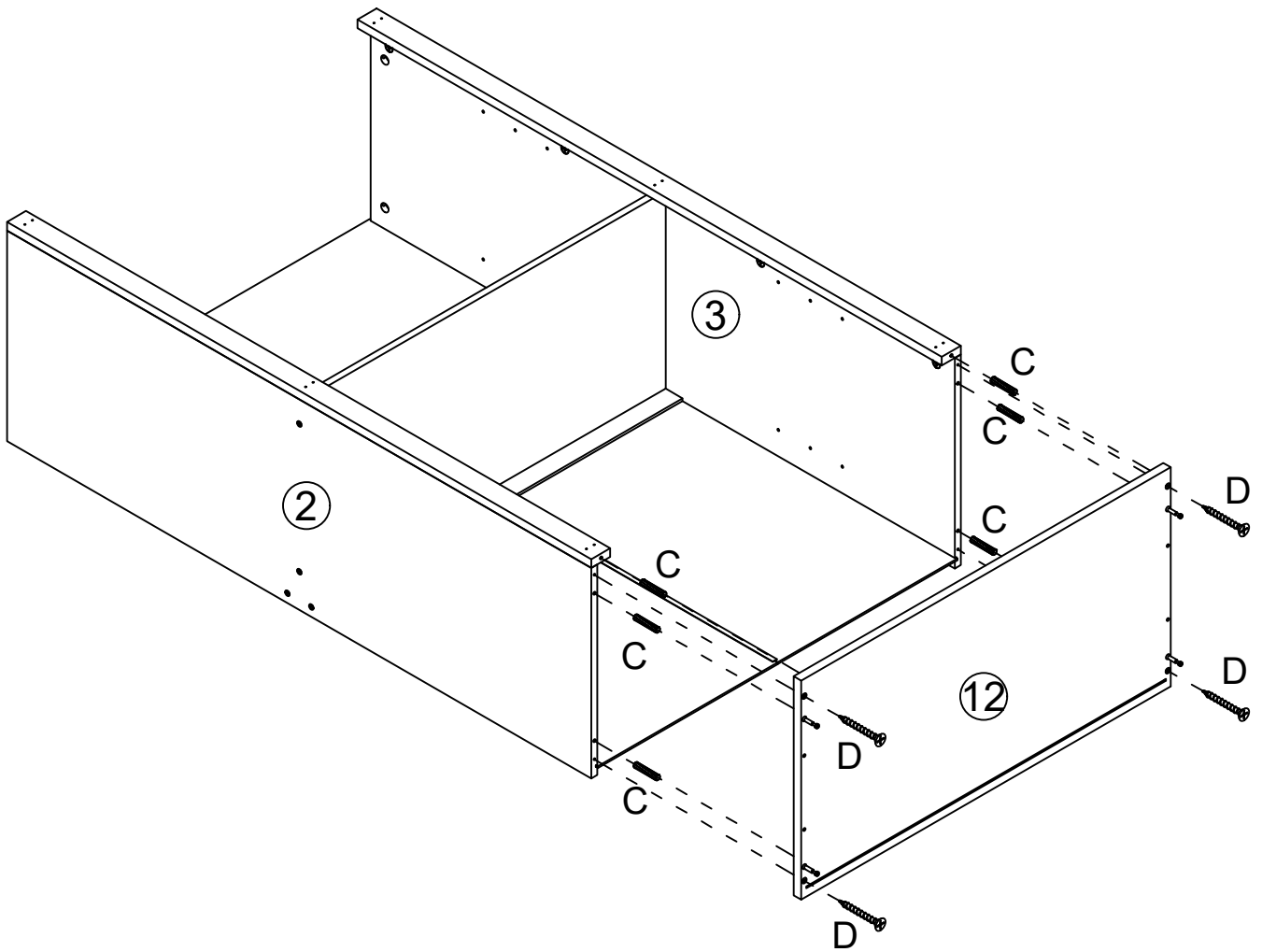


⑫ x1



C x6
Ø6x30mm

D x4
Ø4x35mm

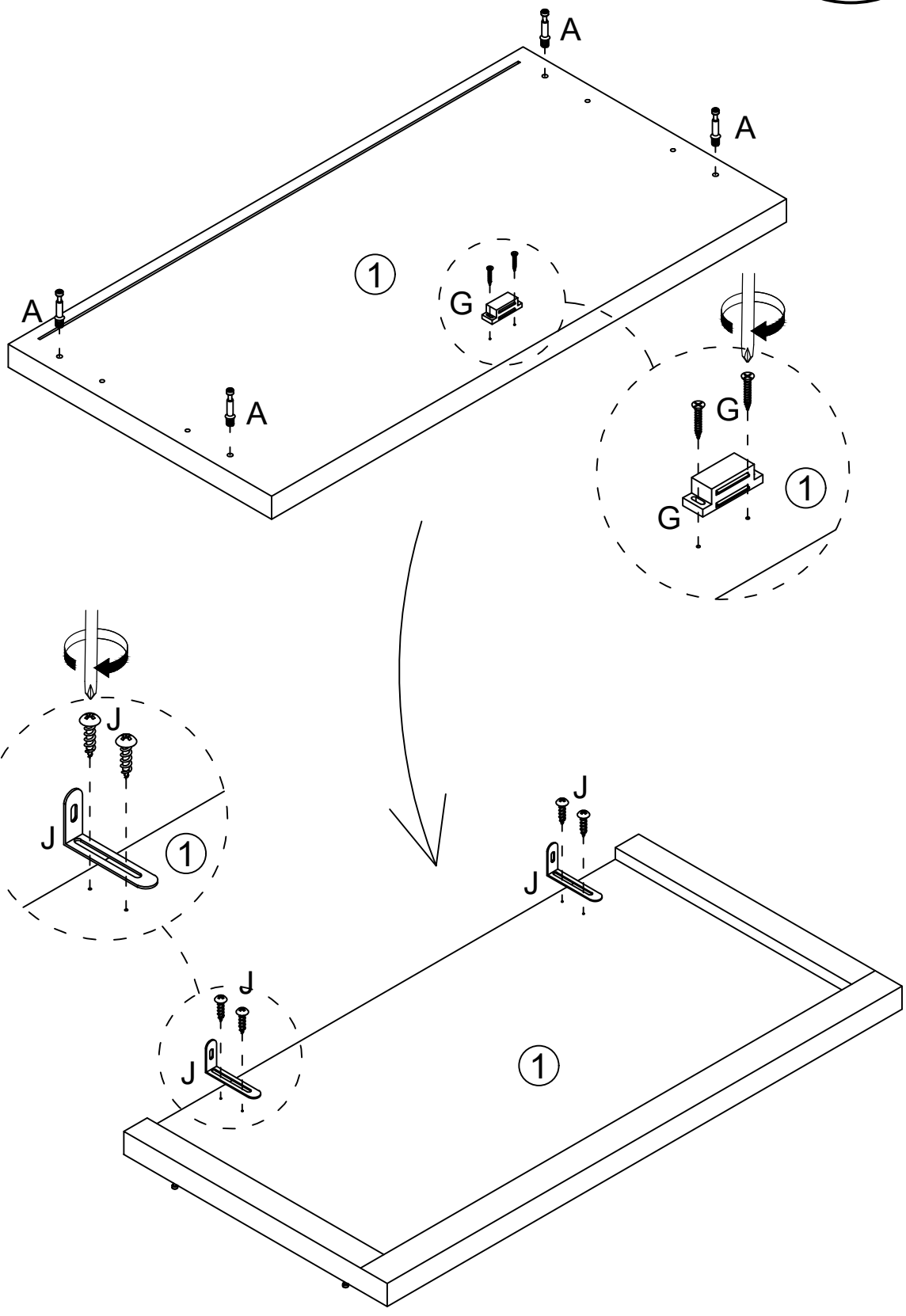
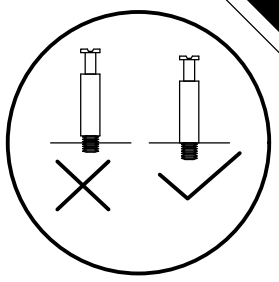


A x4
Ø6x35mm

G x1

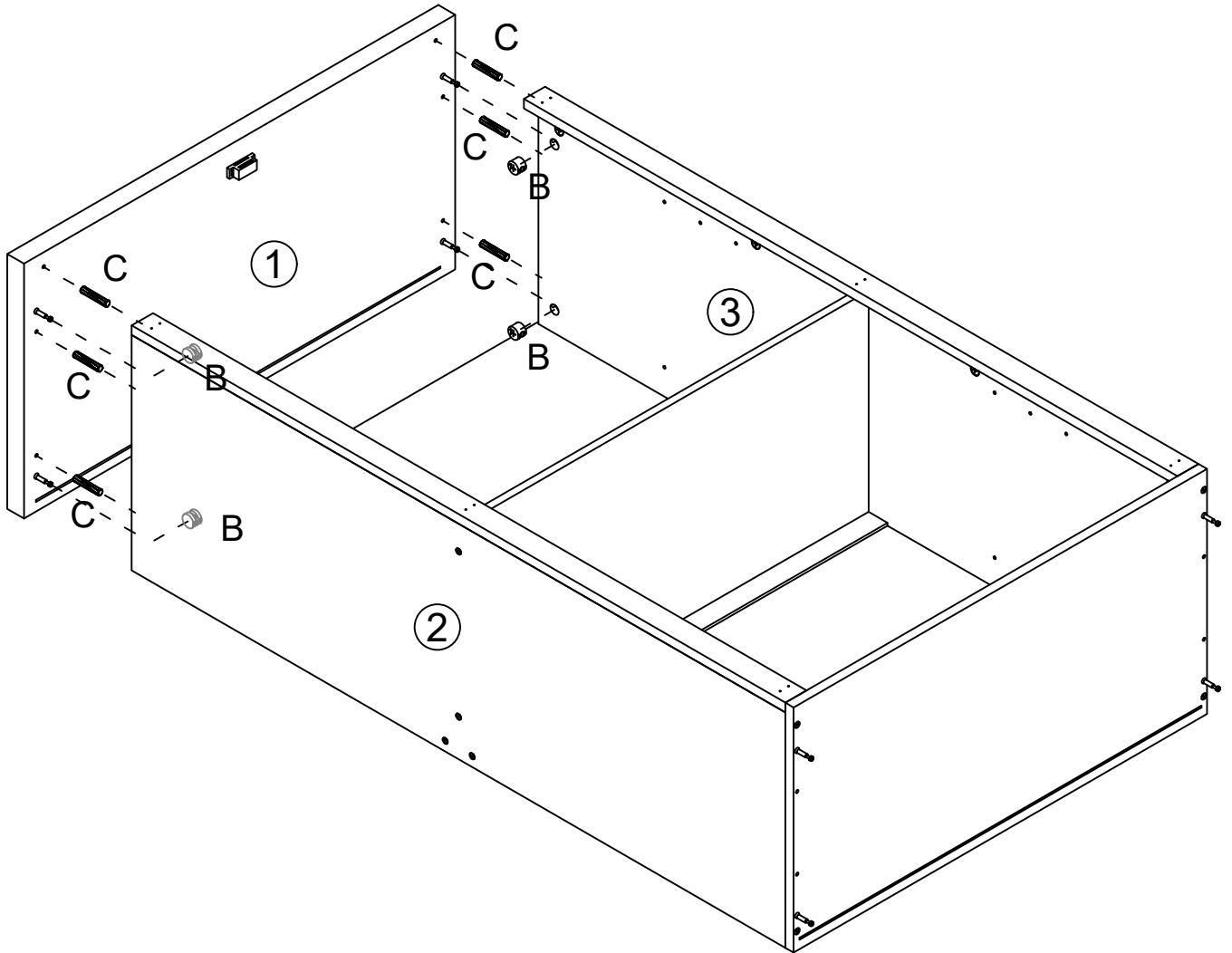
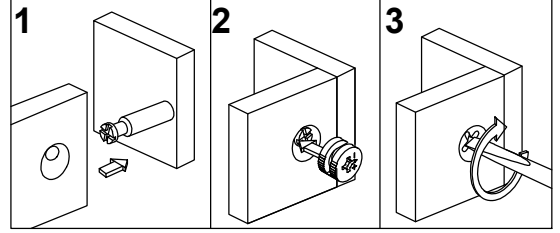
J x2

1 x1



B x4
Ø15x10mm

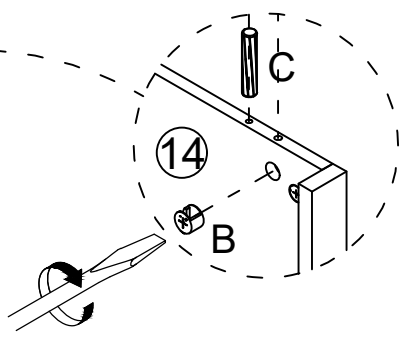
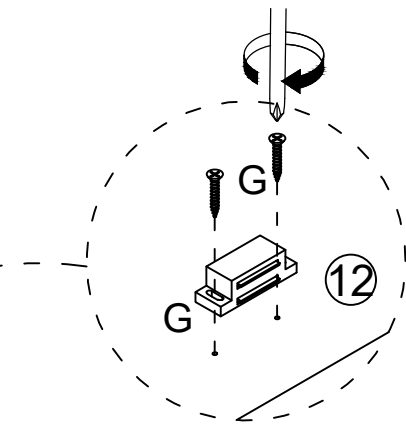
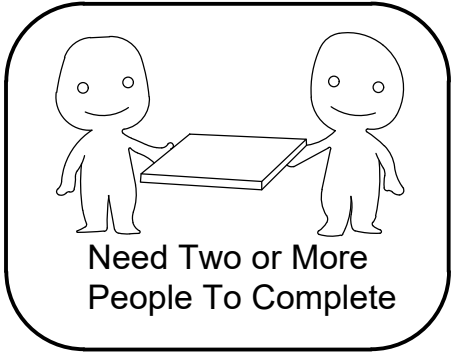
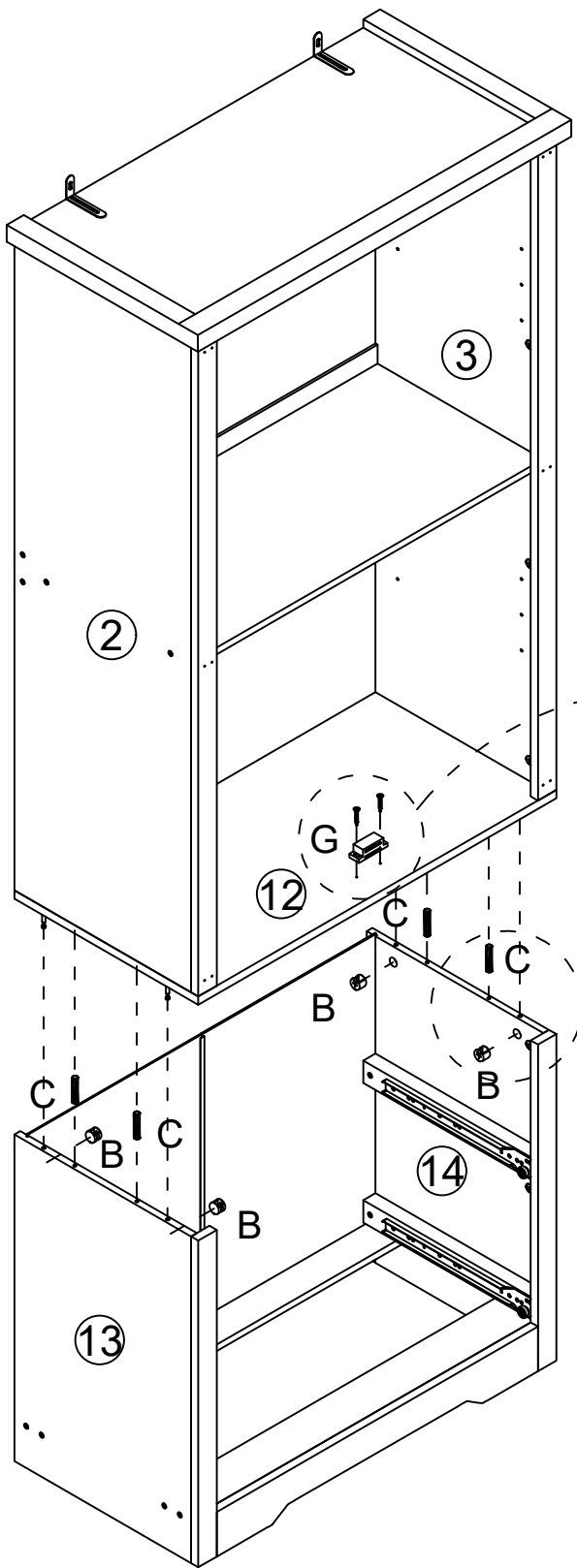
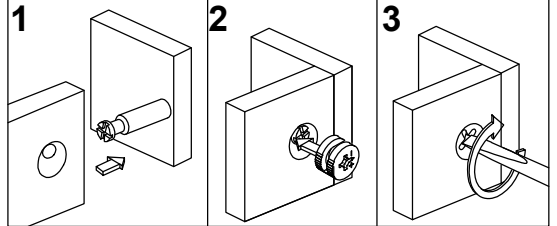
C x6
Ø6x30mm

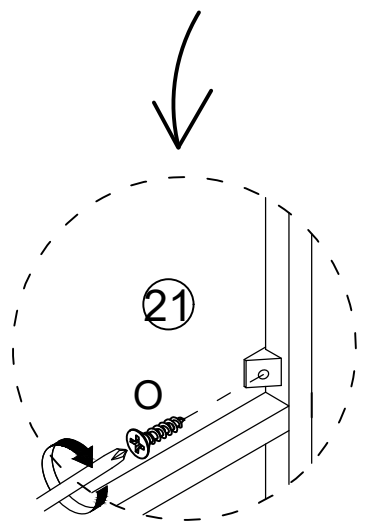
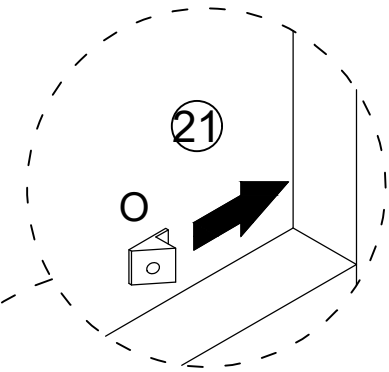
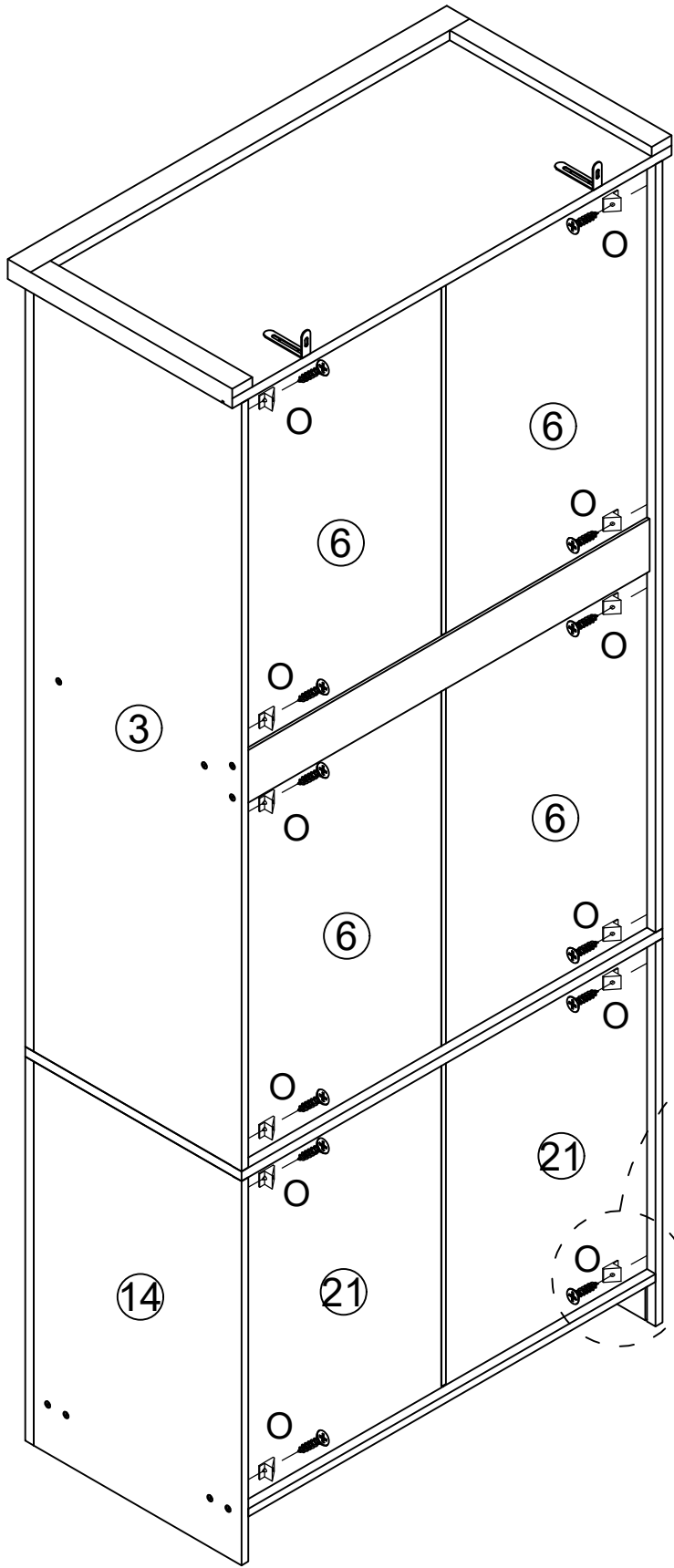
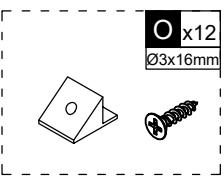


B x4
Ø15x10mm

C x4
Ø6x30mm

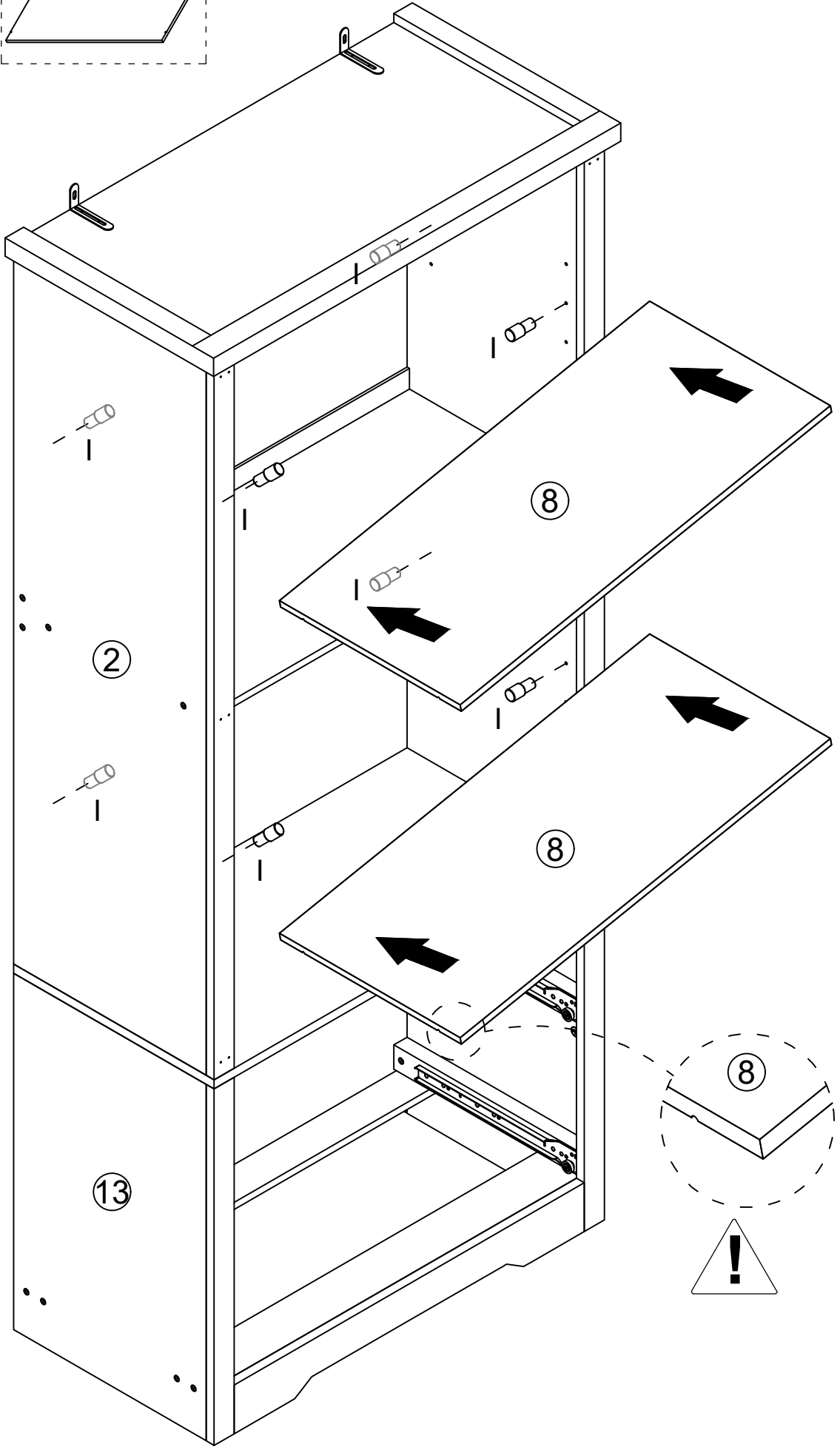
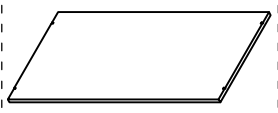
G x1



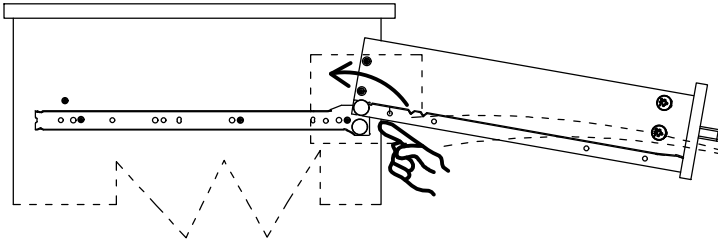


1 x8

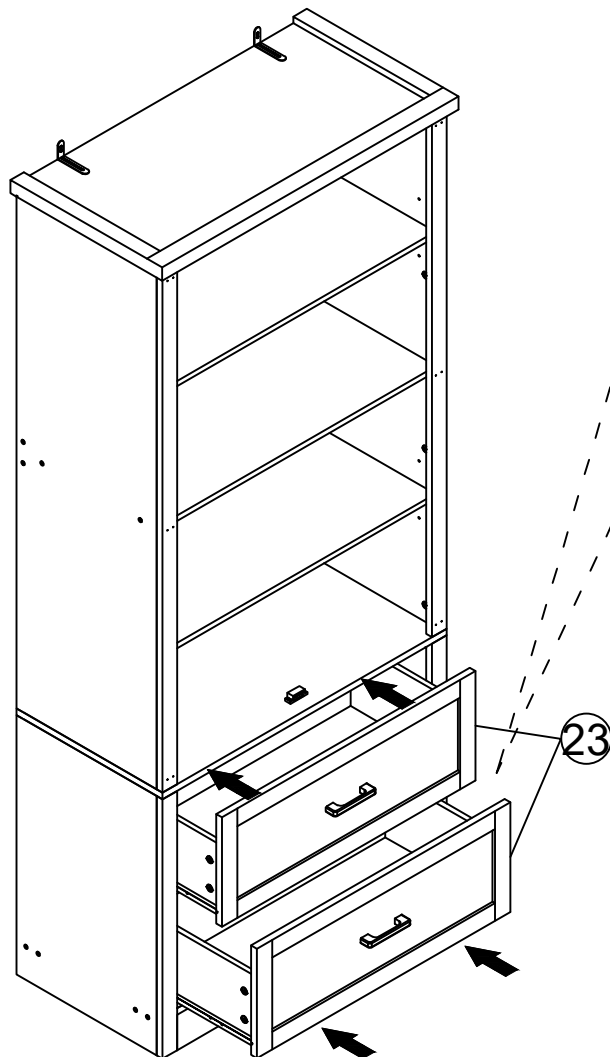
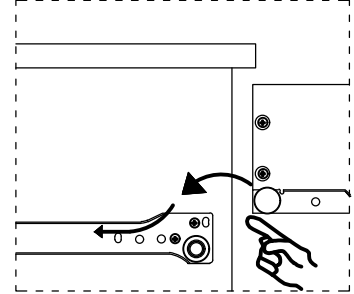
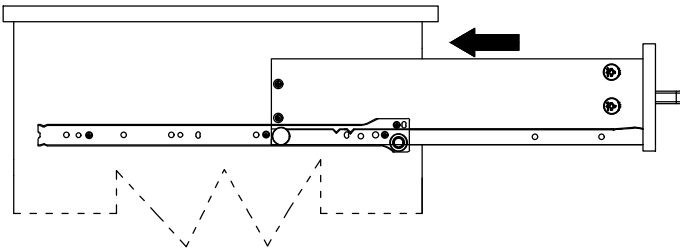
8 x2



(1)



(2)



F x18
Ø4x12mm

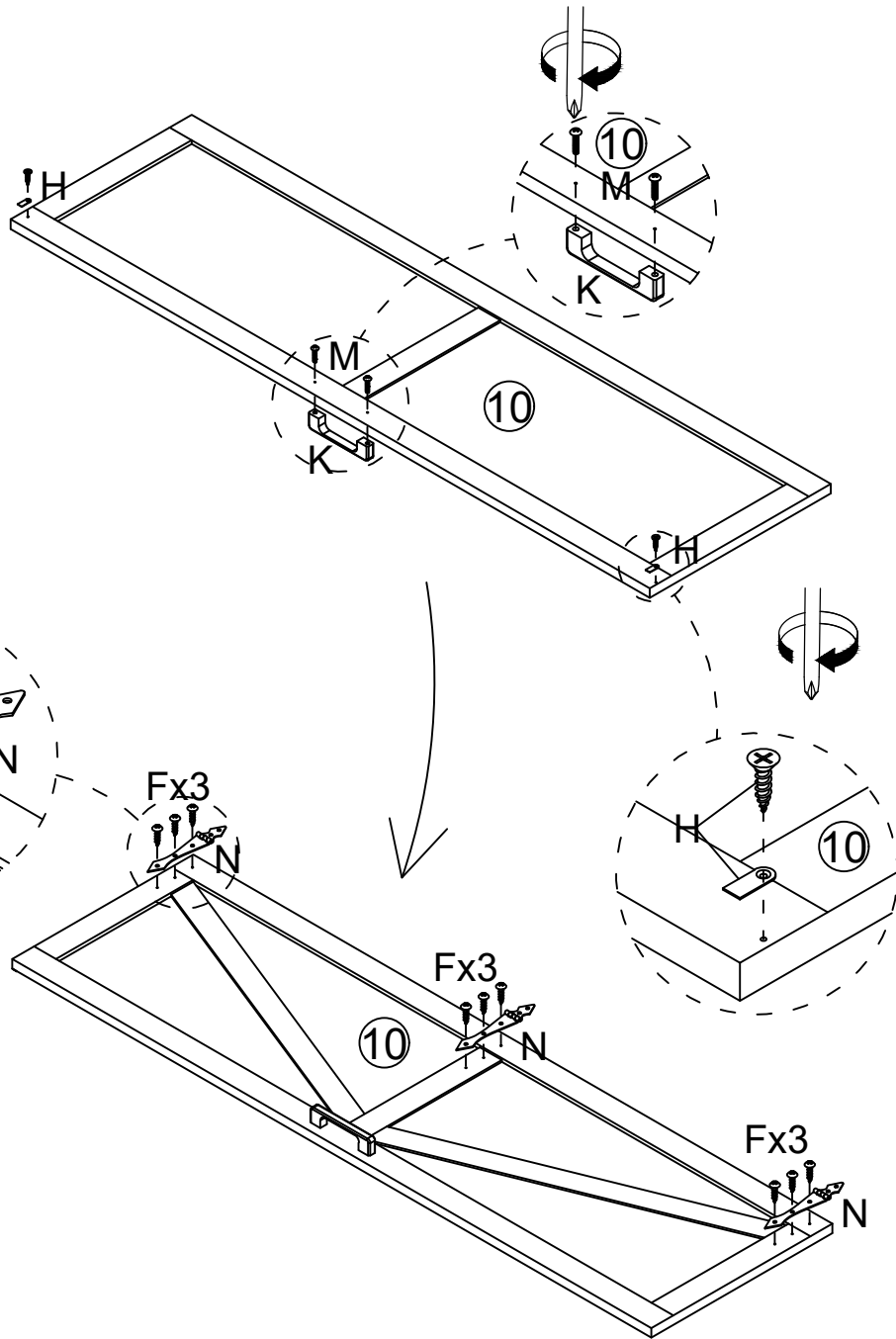
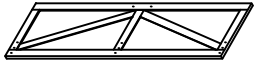
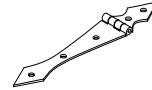
H x4

K x2

M x4

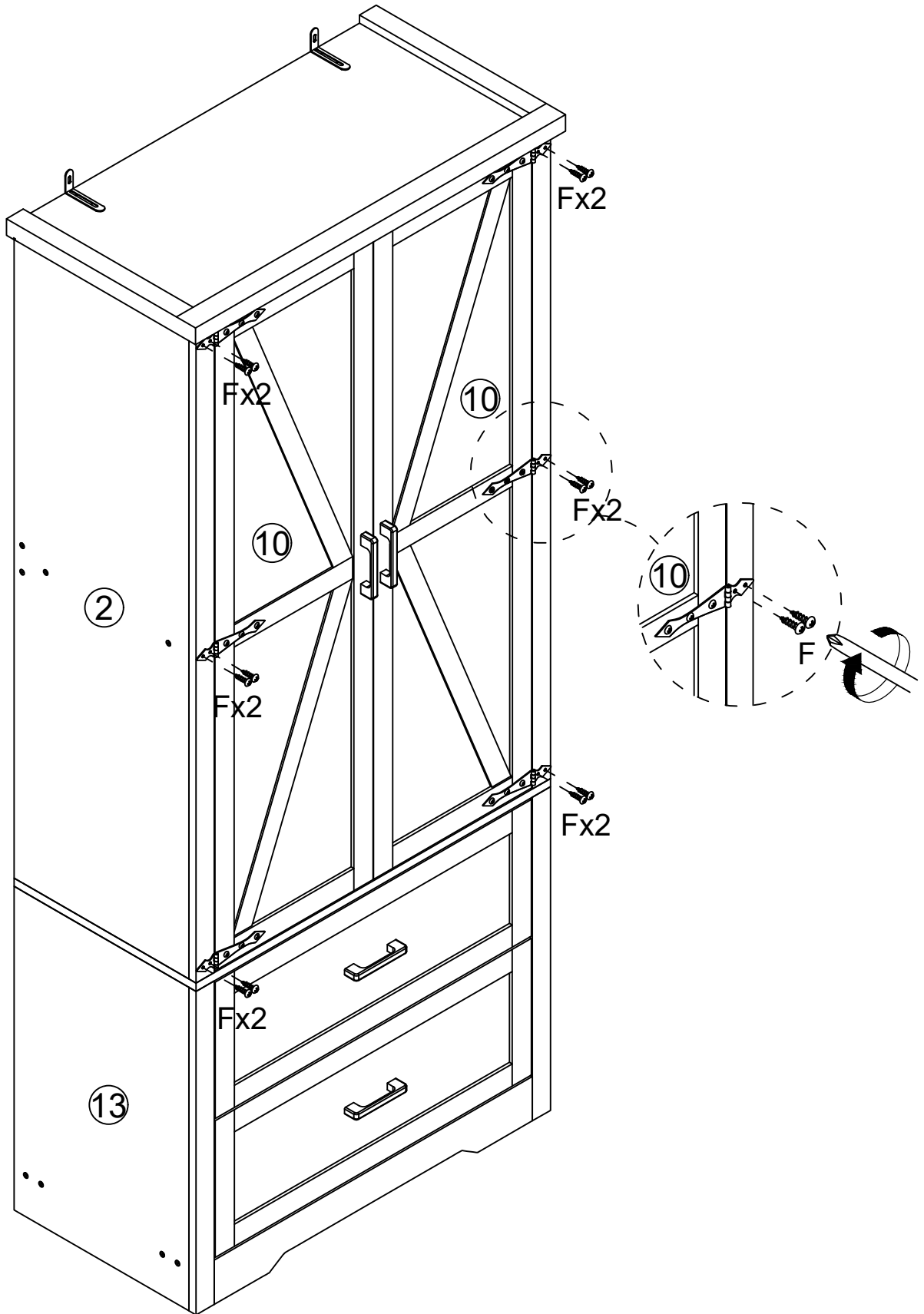
N x6

10 x2

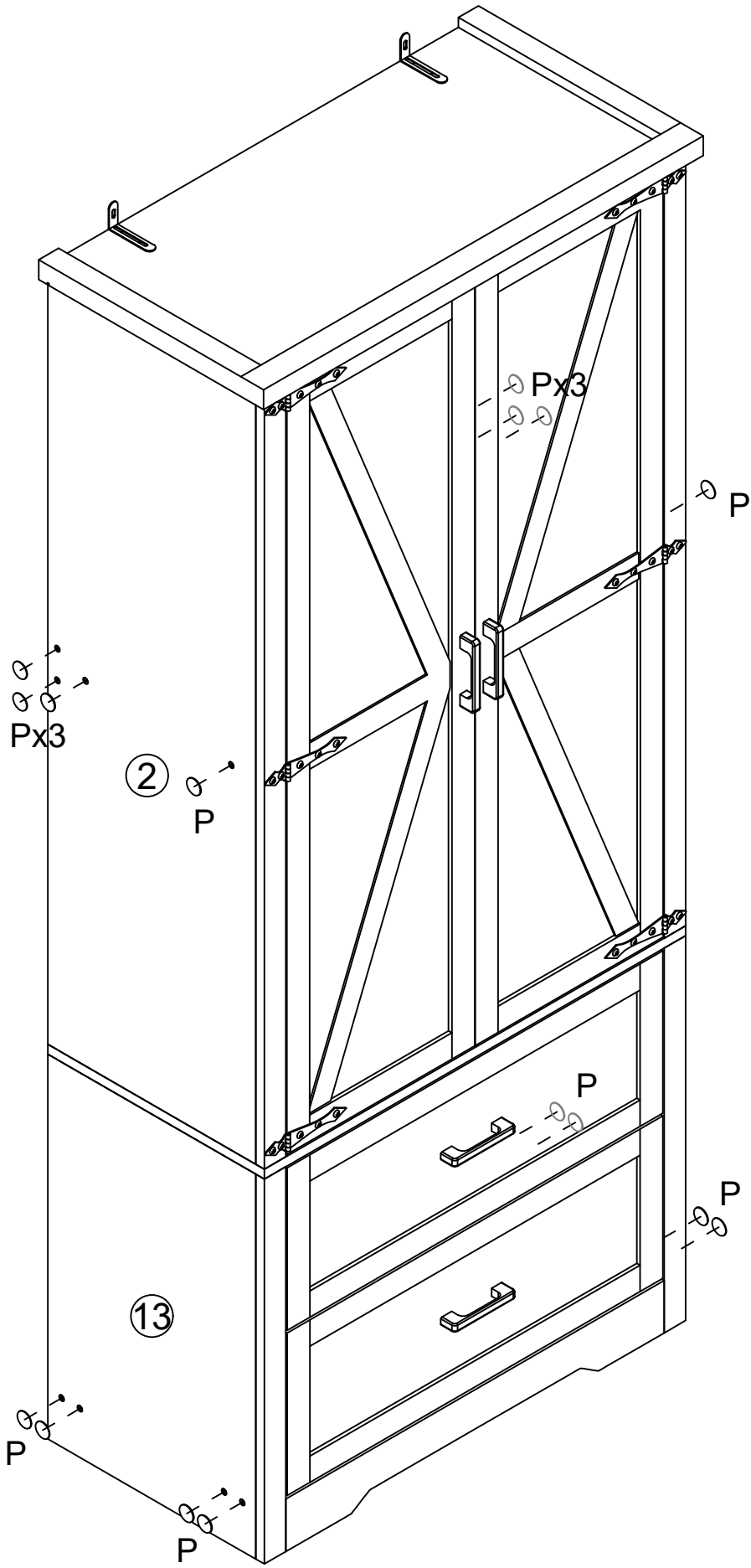


x2

F x12
Ø4x12mm



P x16



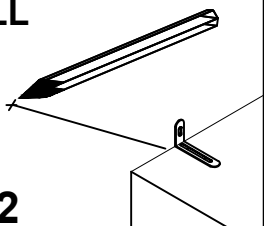
D x2
Ø4x35mm



Q x2
Ø6x30mm



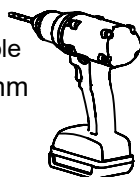
WALL



I x2

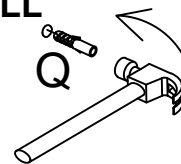
WALL +

drilling hole
Ø6x30mm



II x2

WALL



III x2

