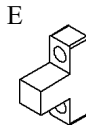
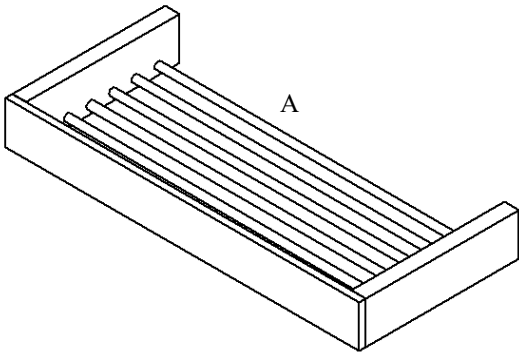


Fire Shelf Installation Guide



Parts Included	QTY
A - Shelf	1
B - Screw	4
C - Set Screw	2
D - Allen Key	1
E - Bracket	2

Description	Finish	Weight (lb)	WxHxD (mm)	WxHxD (Inches)	Metal Type
Fire Shelf	Chrome	1.5	250 x 30 x 113	10 x 1 x 4.5	Brass
Fire Shelf	Brushed Nickel	1.5	250 x 30 x 113	10 x 1 x 4.5	Brass
Fire Shelf	Matte Black	1.5	250 x 30 x 113	10 x 1 x 4.5	Brass

Warranty: 2 Years

Care & Maintenance: A periodic wash using warm water and a soft cloth will retain the high quality finish of your product for many years to come. ON NO ACCOUNT should any household bleaches, detergents, abrasive polishes, steel wool or other cleaning agents be used on this item.

