


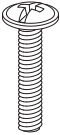

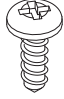
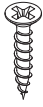
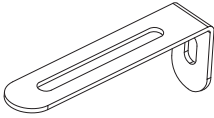



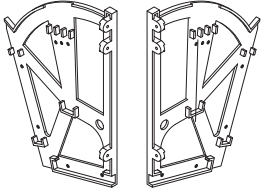

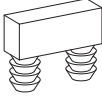

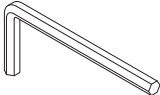

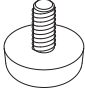


# Shoe Cabinet

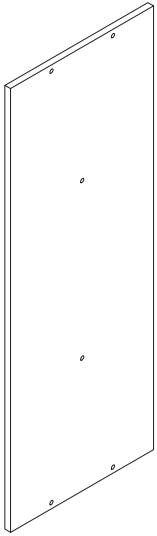
**USER MANUAL**

1

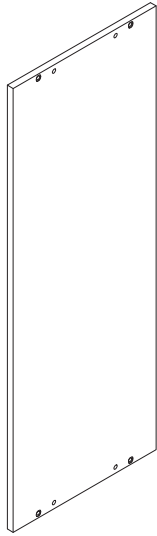
# PARTS LIST

<p>(A)</p>  <p>14pcs</p>	<p>(B)</p>  <p>14pcs</p>	<p>(C)</p>  <p>4pcs</p>	<p>(D)</p>  <p>8pcs</p>	
<p>(E)</p>  <p>2pcs</p>	<p>(F)</p>  <p>2pcs</p>	<p>(G)</p>  <p>12pcs</p>	<p>(H)</p>  <p>M3.5*14 20pcs</p>	
<p>(I)</p>  <p>M3.5*12 4pcs</p>	<p>(J)</p>  <p>2pcs</p>  <p>2pcs</p>  <p>2pcs</p>  <p>2pcs</p>			
<p>(K)</p>  <p>2set</p>	<p>(L)</p>  <p>4pcs</p>	<p>(M)</p>  <p>4pcs</p>	<p>(N)</p>  <p>4pcs</p>	
<p>(O)</p>  <p>1pcs</p>	<p>(P)</p>  <p>1pcs</p>	<p>(Q)</p>  <p>20pcs</p>	<p>(R)</p>  <p>4pcs</p>	

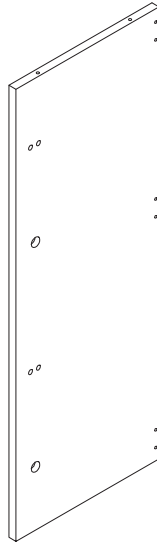
2



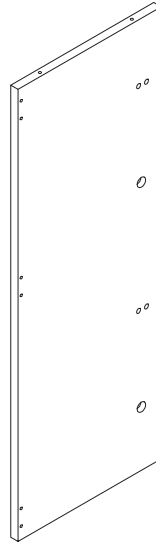
①x1



②x1



③x1



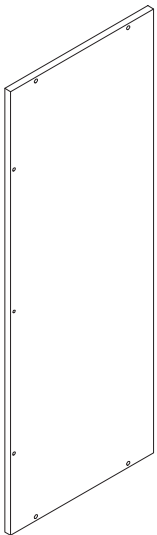
④x1



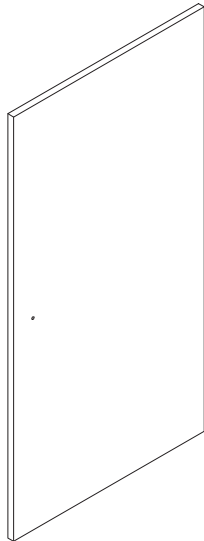
⑤x1



⑥x2



⑦x1



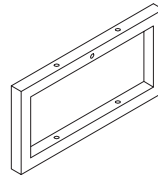
⑧x2



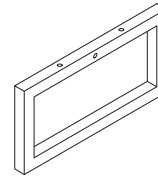
⑨x4



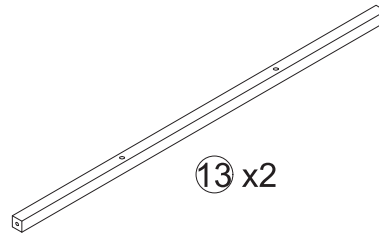
⑩x2



⑪x2

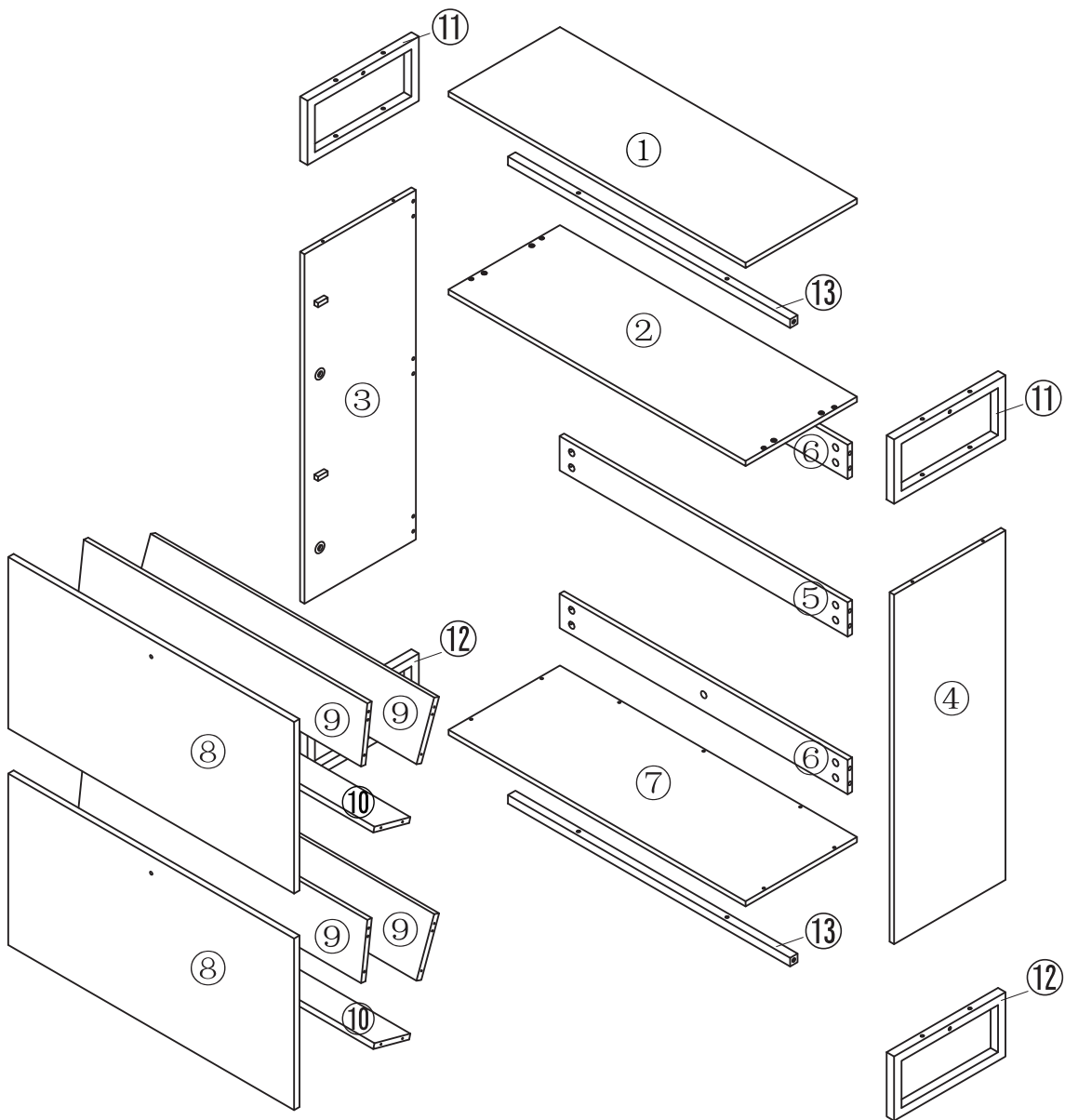


⑫x2



⑬x2

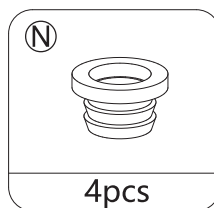
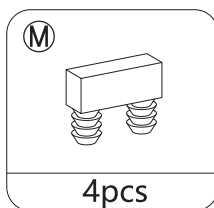
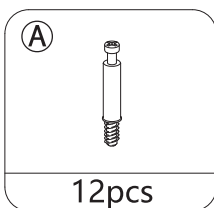
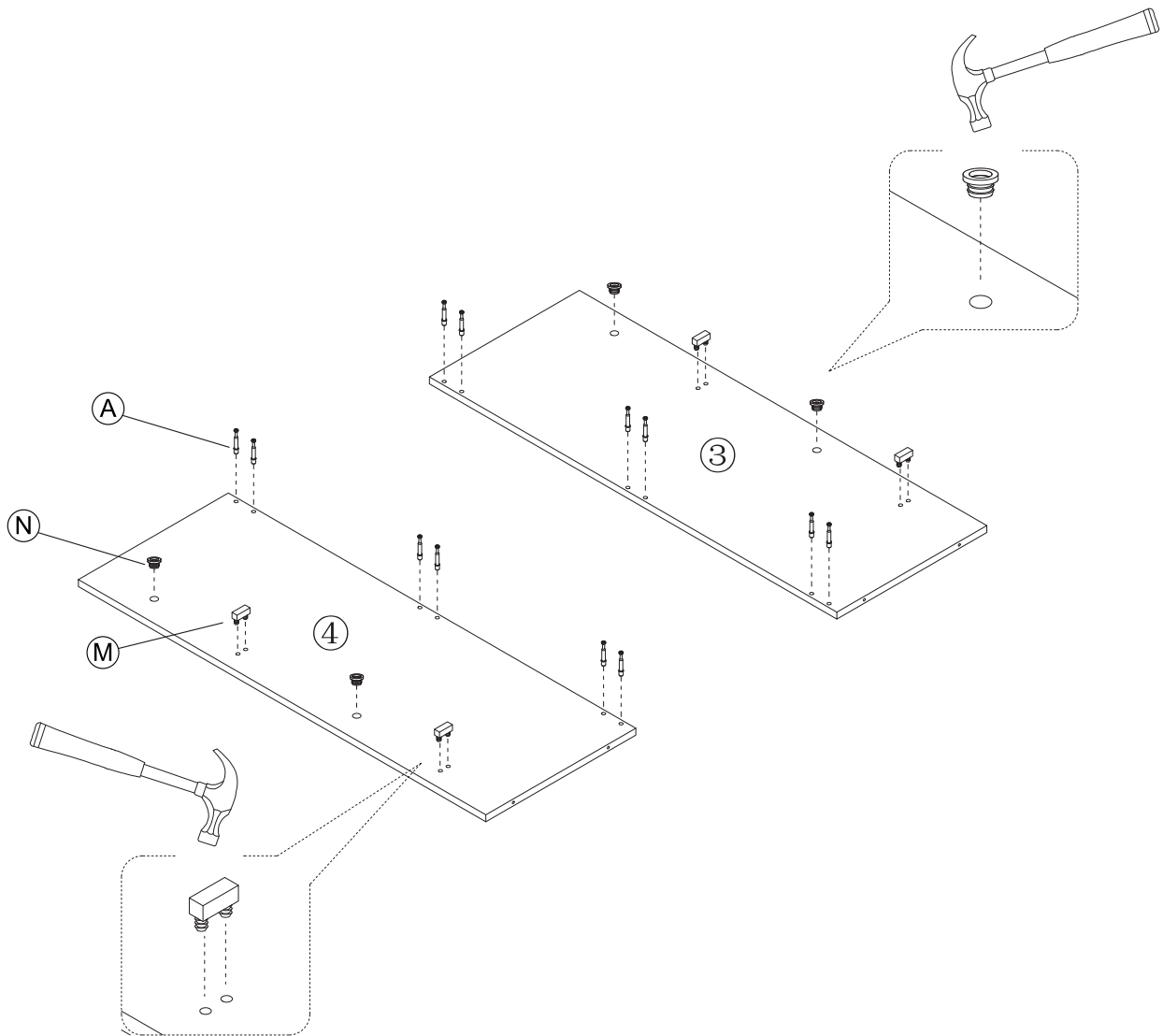
3



4

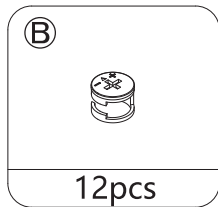
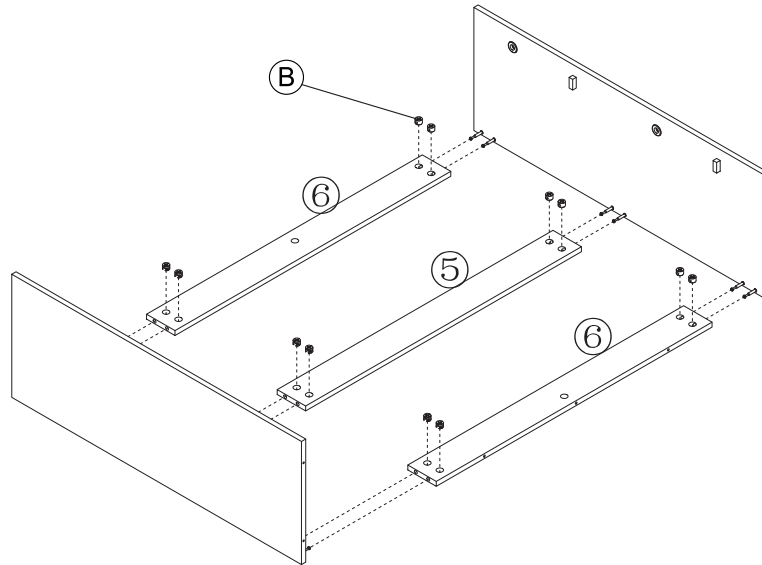
# INSTALLATION STEPS

## STEP 1

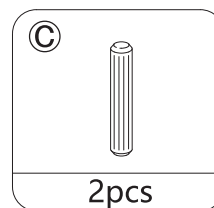
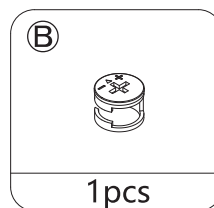
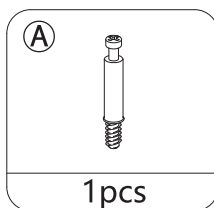
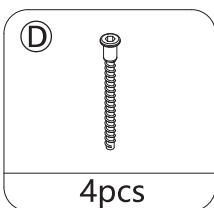
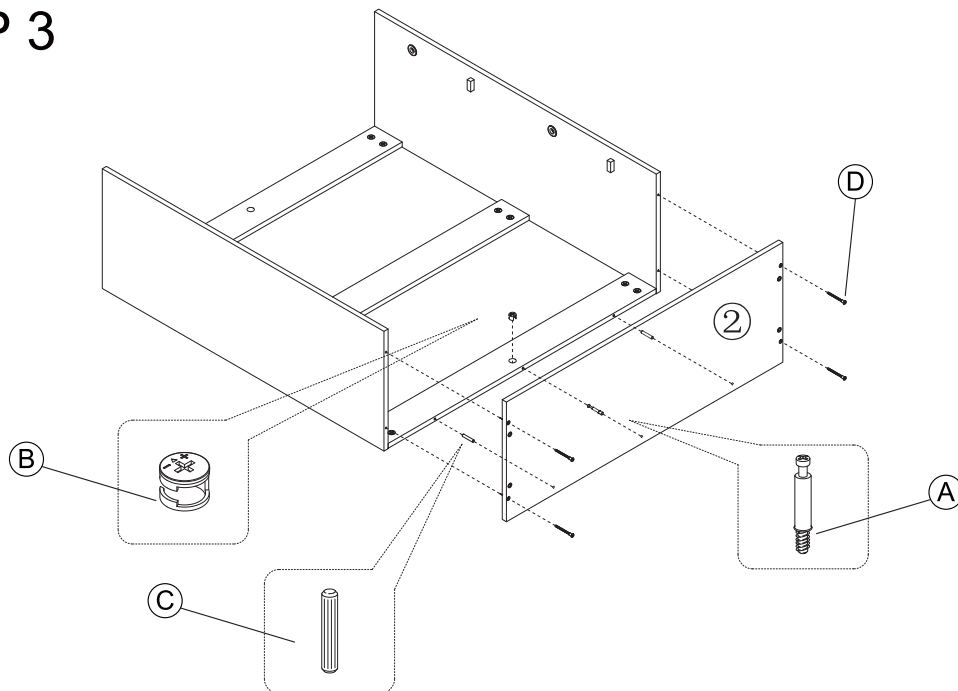


5

### STEP 2

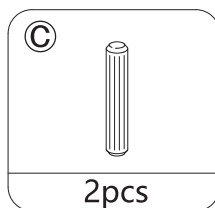
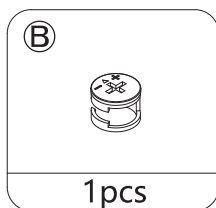
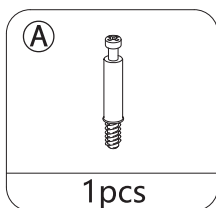
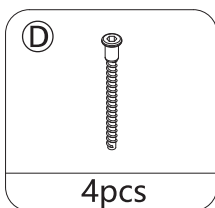
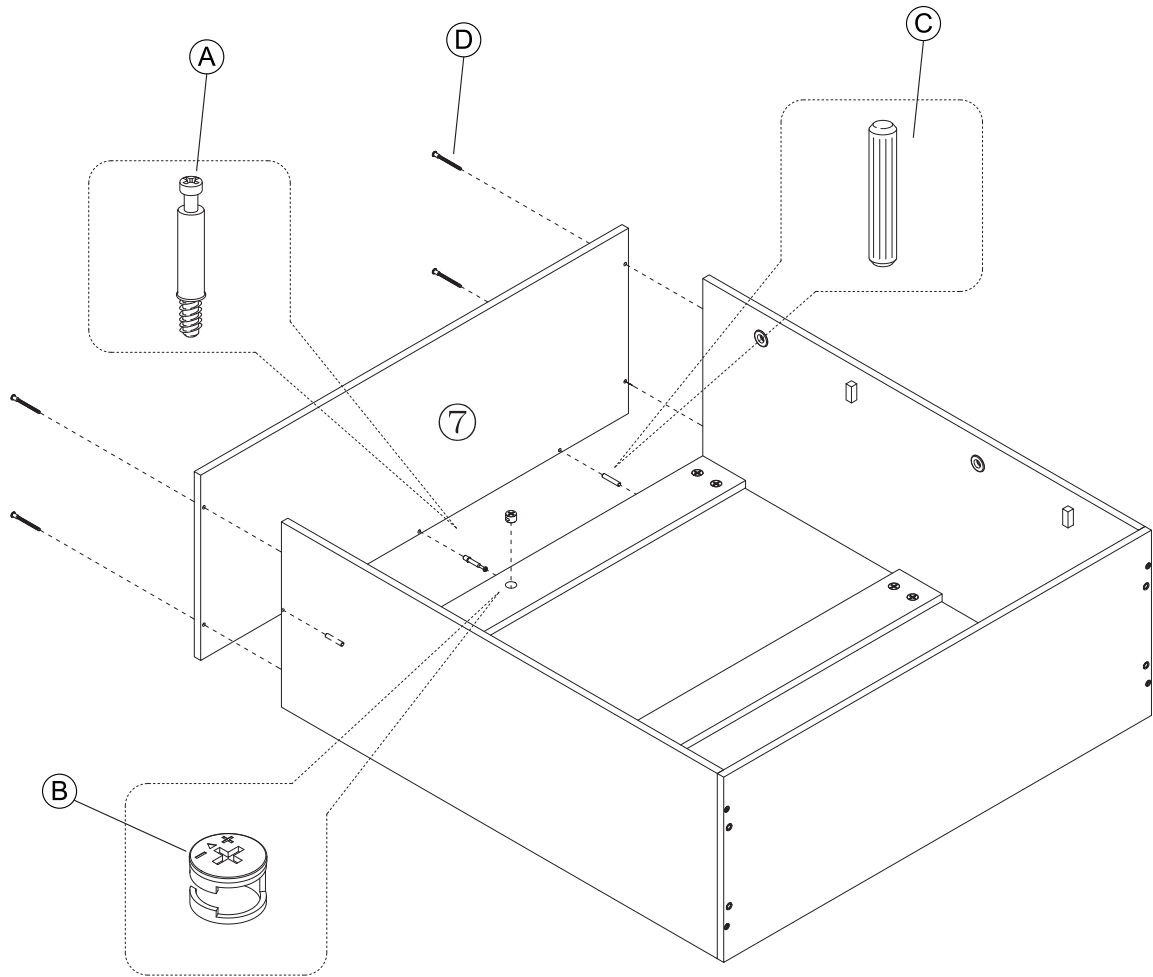


### STEP 3



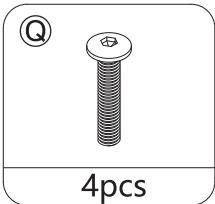
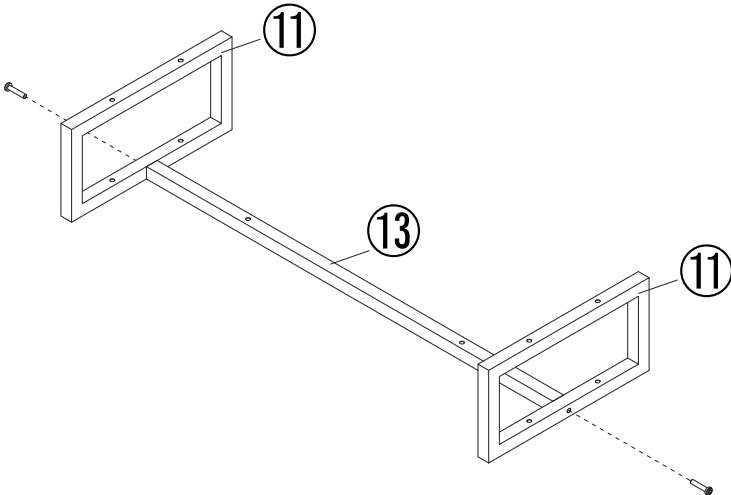
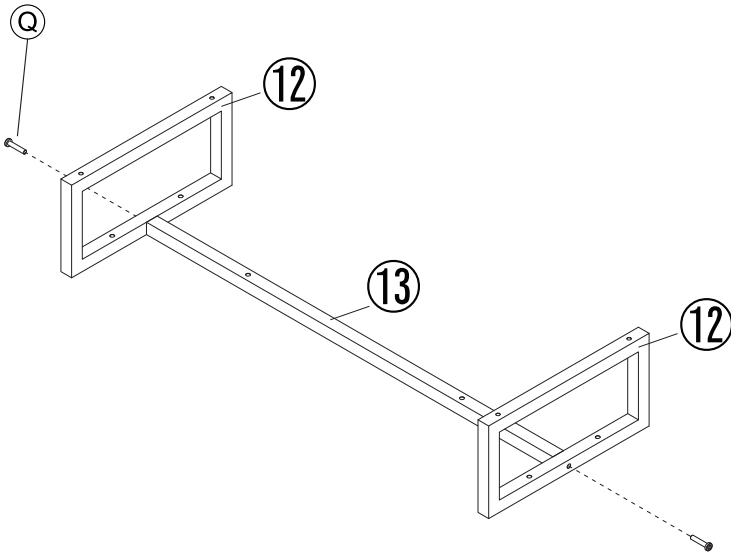
6

STEP 4



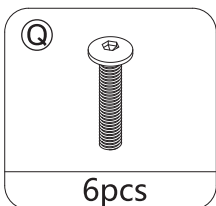
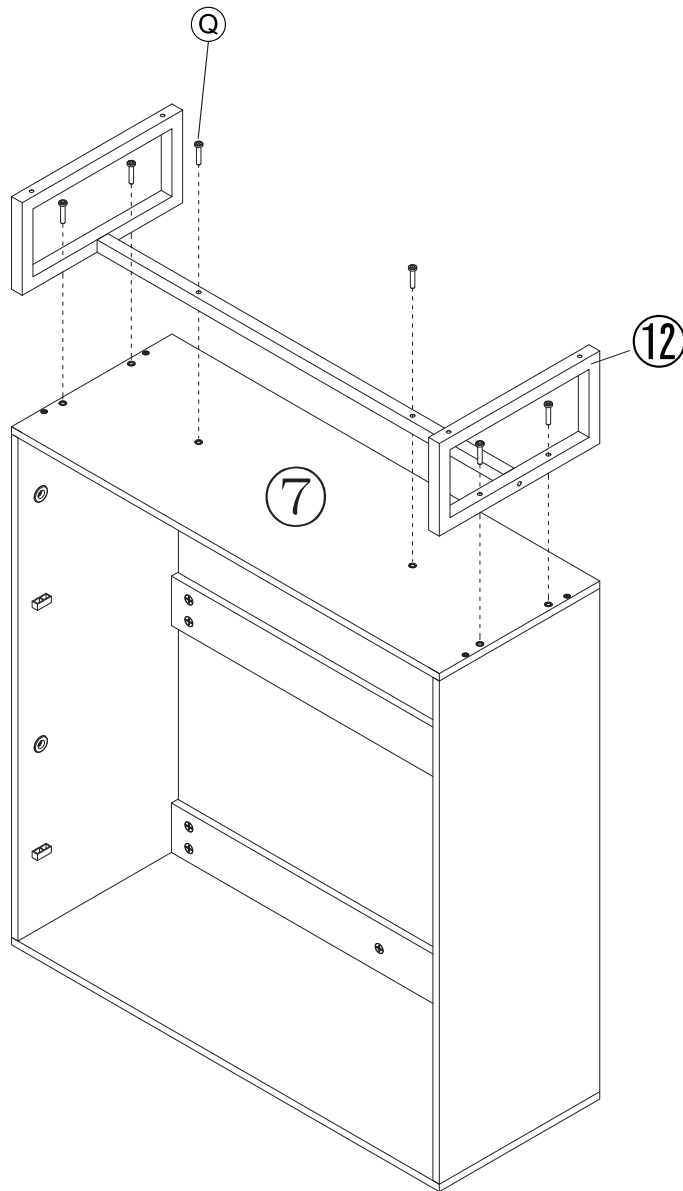
7

STEP 5



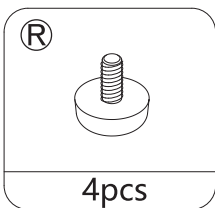
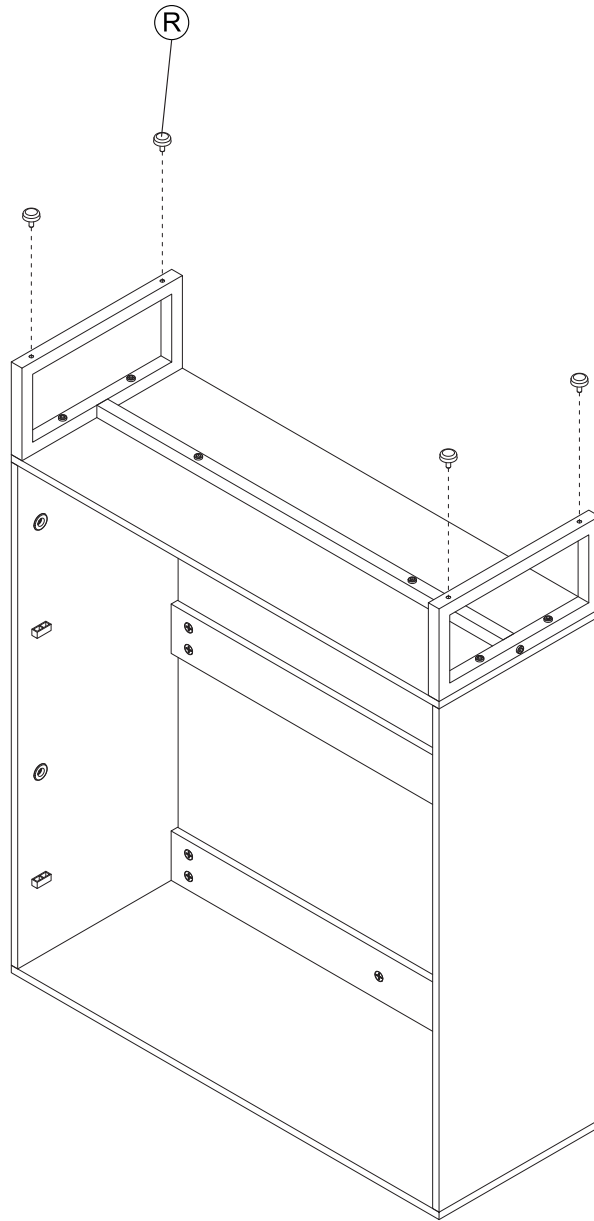
8

STEP 6

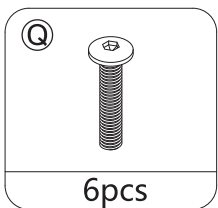
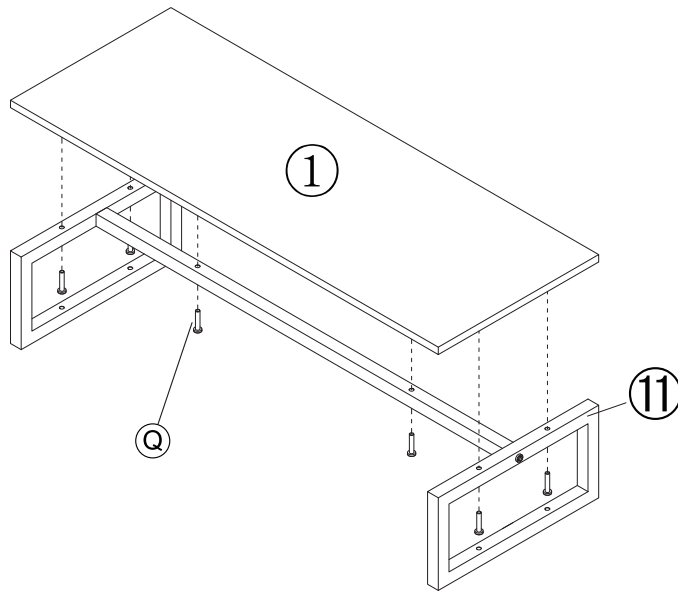


9

STEP 7

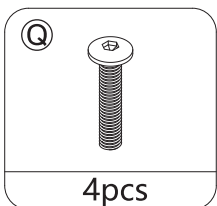
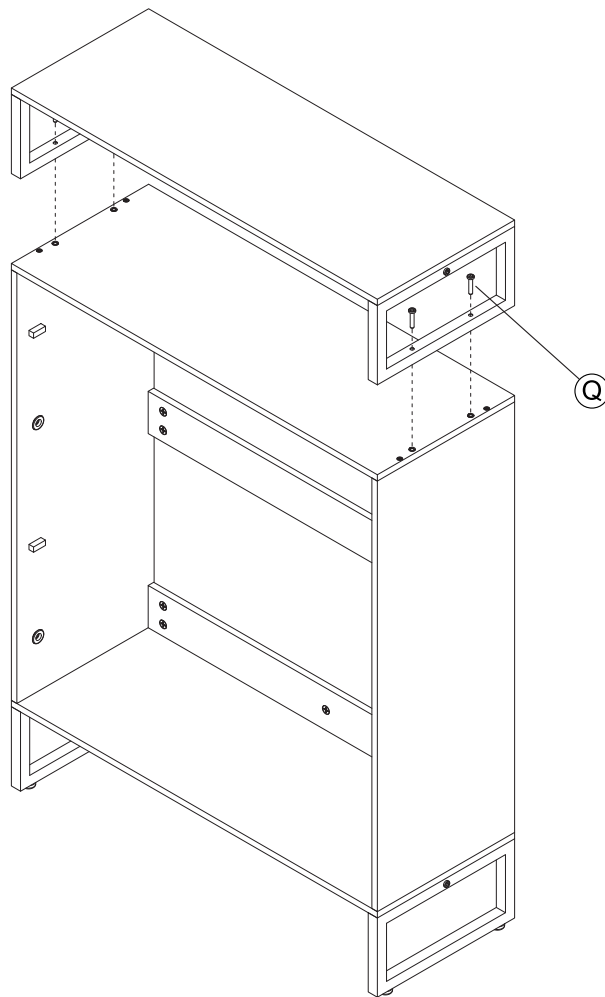


STEP 8



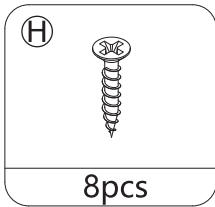
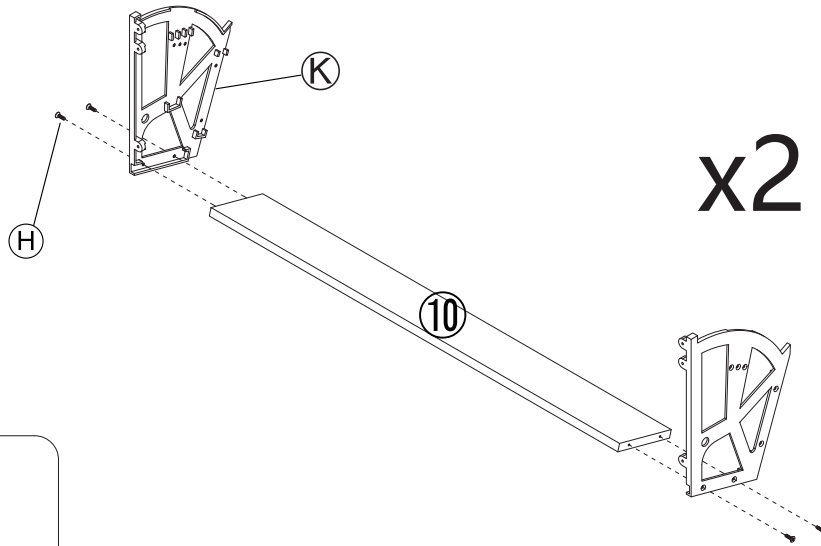
11

STEP 9

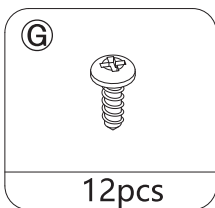
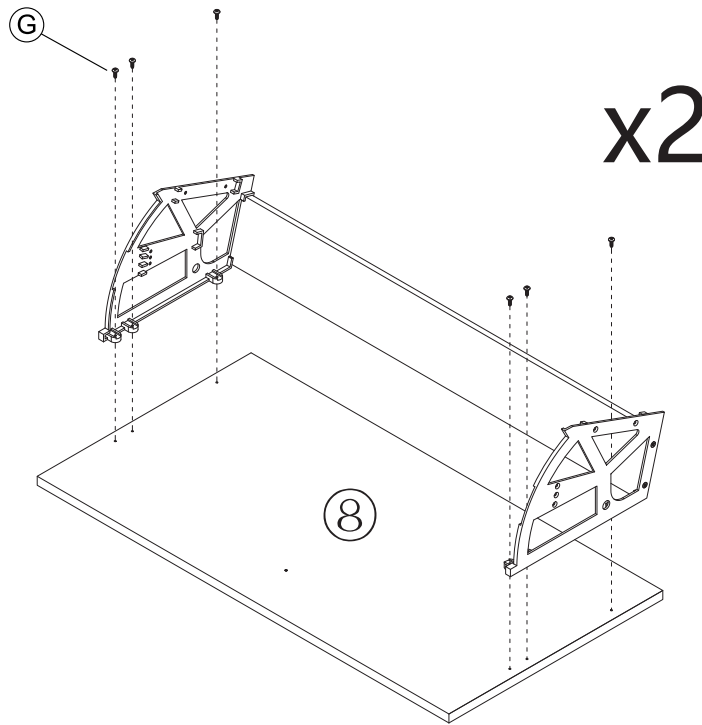


12

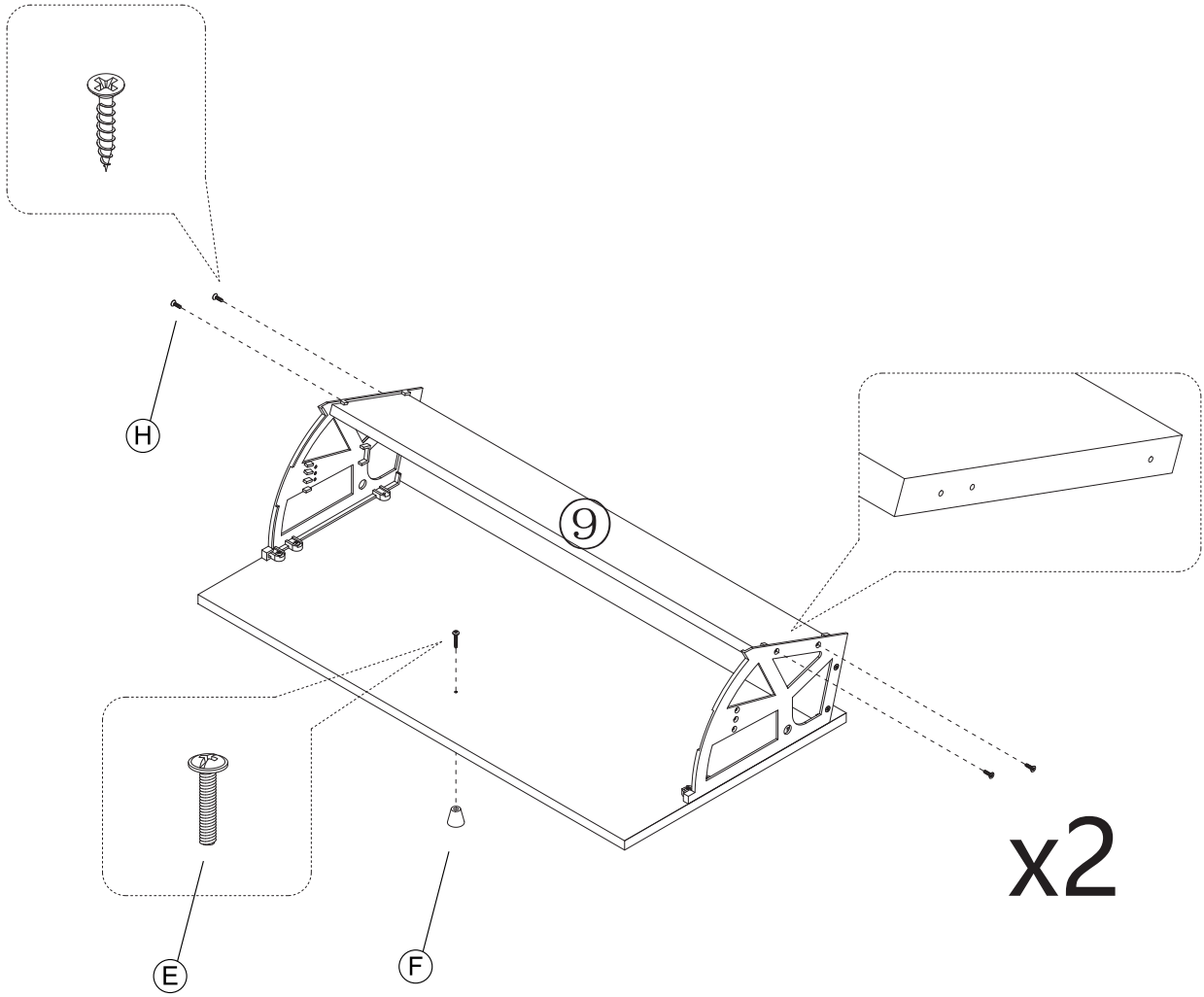
STEP 10


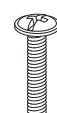



STEP 11



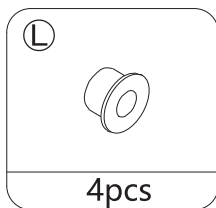
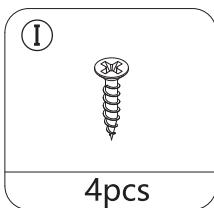
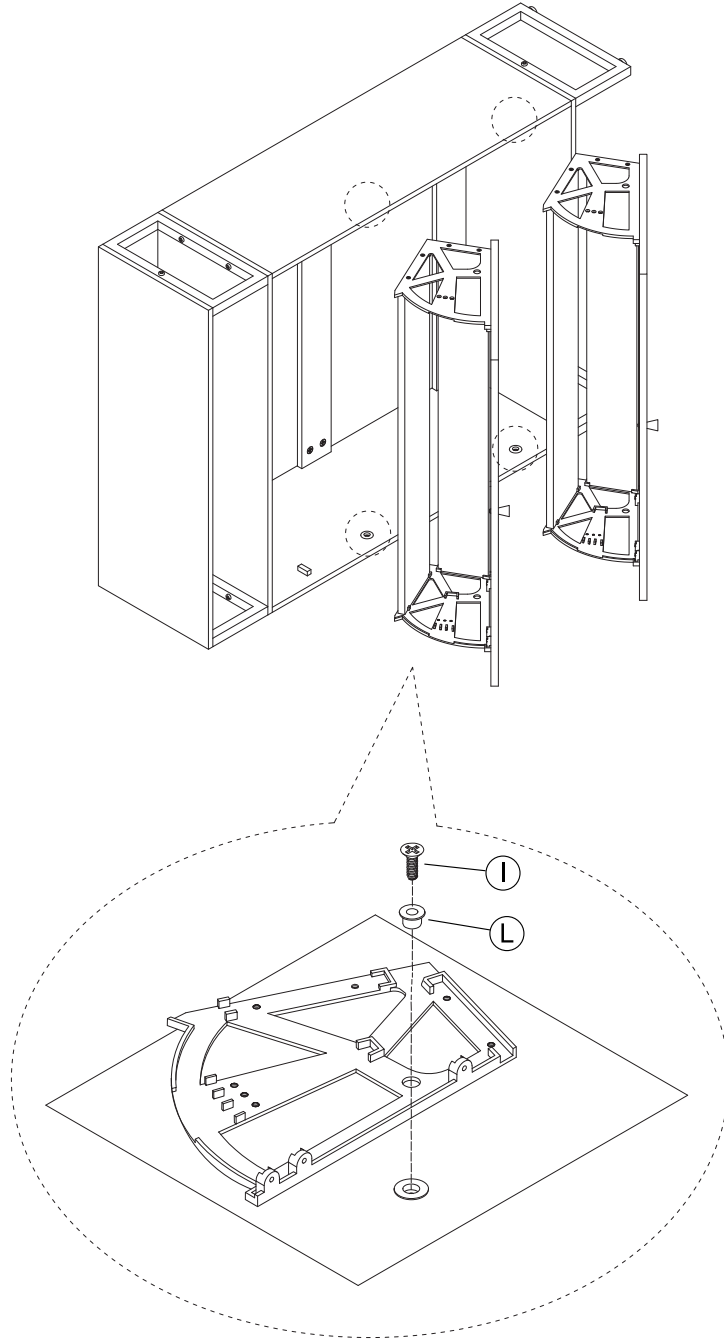
STEP 12



- |                                                                                                          |                                                                                                          |                                                                                                          |
|----------------------------------------------------------------------------------------------------------|----------------------------------------------------------------------------------------------------------|----------------------------------------------------------------------------------------------------------|
| <p>H</p>  <p>8pcs</p> | <p>E</p>  <p>2pcs</p> | <p>F</p>  <p>2pcs</p> |
|----------------------------------------------------------------------------------------------------------|----------------------------------------------------------------------------------------------------------|----------------------------------------------------------------------------------------------------------|

14

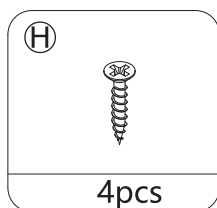
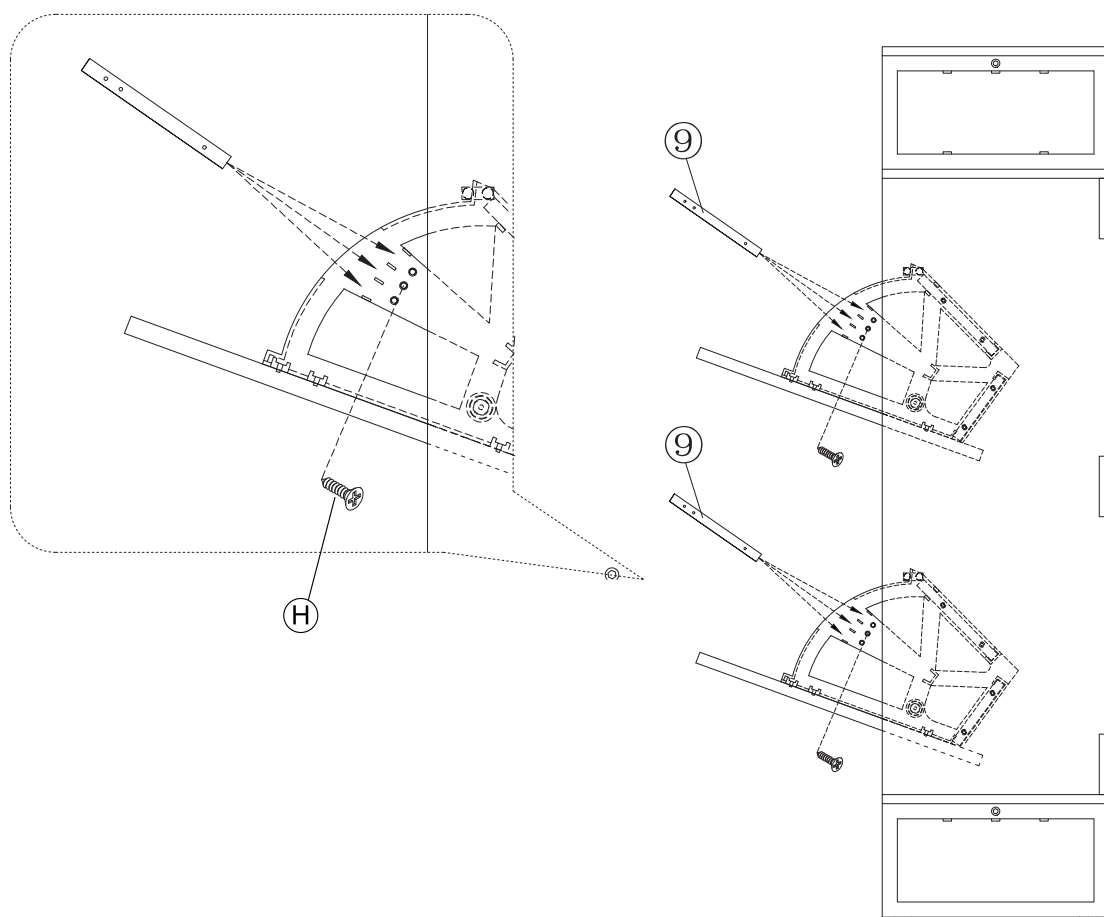
STEP 13



## STEP 14

**Tip:**

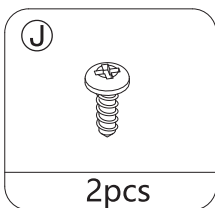
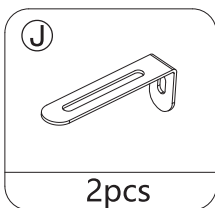
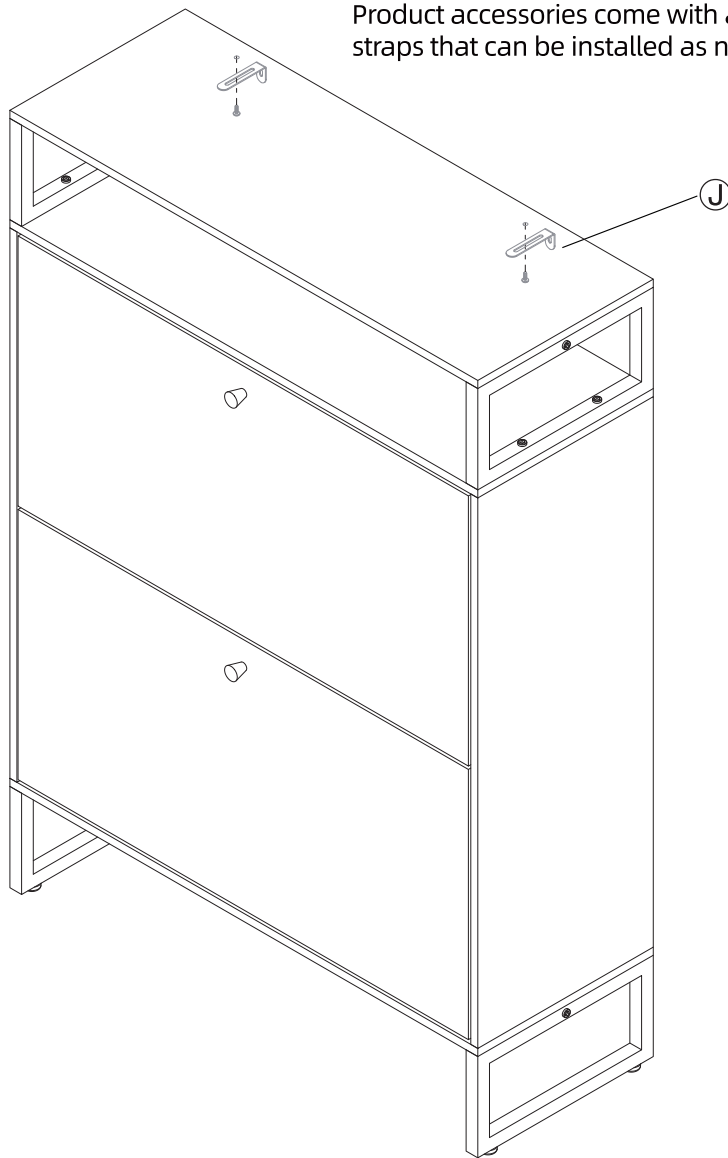
On board No. ⑨, you can determine which slot to put based on the condition of the guest's shoes, and then lock the NO. ④ screw.



# 16

## STEP 15

**TIP:**  
Product accessories come with anti-tip straps that can be installed as needed



## STEP 16

**TIP:**  
Product accessories come with anti-tip straps that can be installed as needed

