

PRODUCT INSTRUCTIONS

Item: 6674 Zephyr Table Lamp

IMPORTANT SAFETY INSTRUCTIONS

This portable lamp has a polarized plug (one blade is wider than the other) as a safety feature to reduce the risk of electric shock. This plug will fit in a polarized outlet only one way. If the plug does not fit fully in the outlet, reverse the plug. If it still does not fit, contact a qualified electrician. Never use with an extension cord unless the plug can be fully inserted. Do not attempt to defeat this safety feature.

WARNINGS

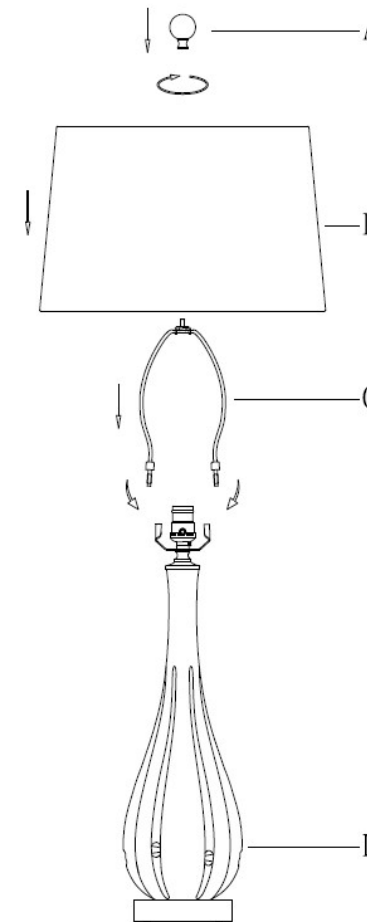
- Use Type A Bulb, 3-way Bulb.
- Do not exceed the maximum 150-watt rating (bulb not included).
- Do not use polishes or cleaners on your lamp.
- Wipe clean with a soft cloth.

Before you light the table lamp, please follow the below instructions step by step.

Carefully remove the parts from the carton and place them on a flat surface. Please make sure that you have all the parts indicated before you begin to assemble this item.

Before plugging in the fixture or installing the light bulbs, please check the socket(s) and remove any silica gel, debris, or loose objects.

1. Install Harp (C) into Harp Saddle (D).
2. Carefully remove any protective plastic covering on Shade (B). Be sure not to damage fabric when cutting.
3. Place Shade (B) on Harp (C) and secure with Finial (A) until tight.
4. Install light bulb.
5. Remove any protective cover from plug prongs and insert into outlet.
6. Test Fixture.



NOTE: The drawing of the lamp body is for reference only.