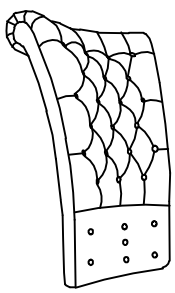
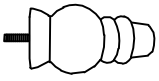
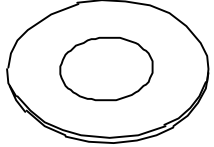
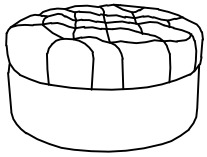
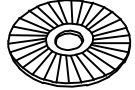
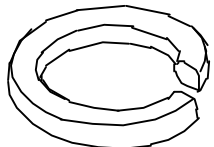


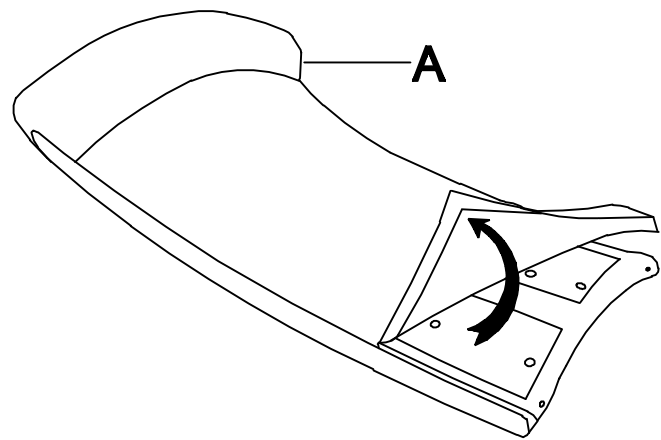
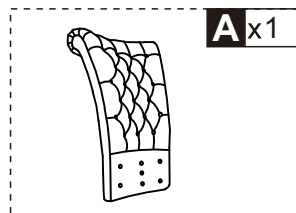
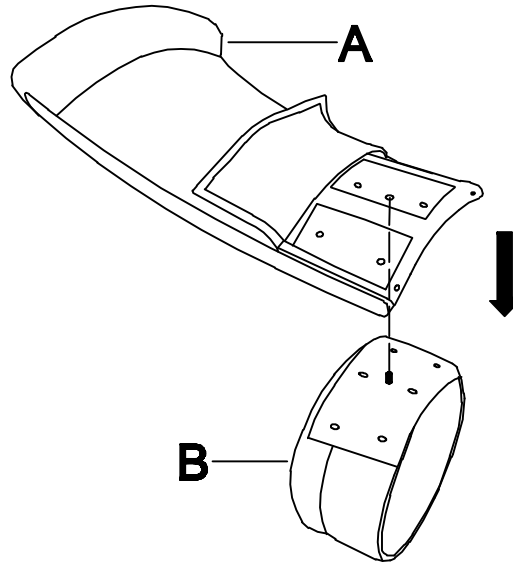
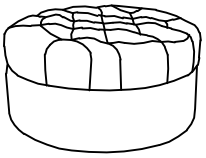


ASSEMBLY INSTRUCTION

 <p>Ax1</p>	 <p>Cx4</p>	 <p>Fx6</p>
 <p>Bx1</p>	 <p>Dx4</p>	 <p>Gx6</p>
<p>M8*60</p>	 <p>Ex6</p>	 <p>Hx1</p>
	<p>M8*32*2</p>	<p>M8</p>
	<p>M6</p>	



Bx1

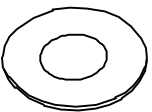


Ex6



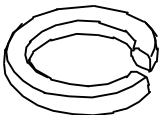
M8*60

Fx6



M8*32*2

Gx6

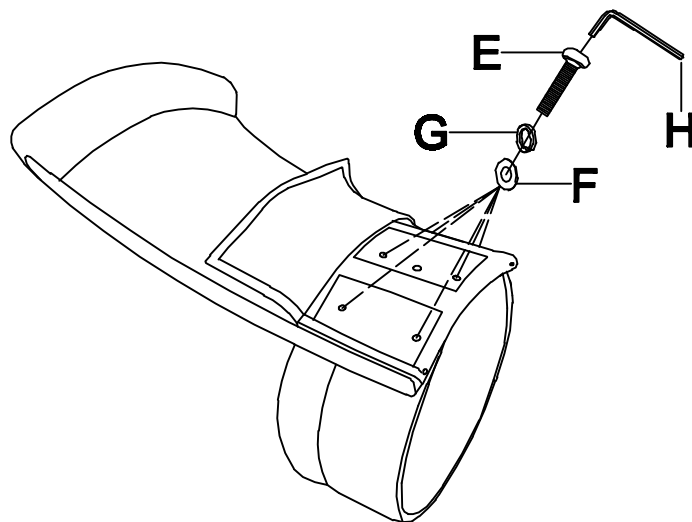


M8

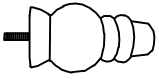
Hx1



M6



Cx4



Dx4

