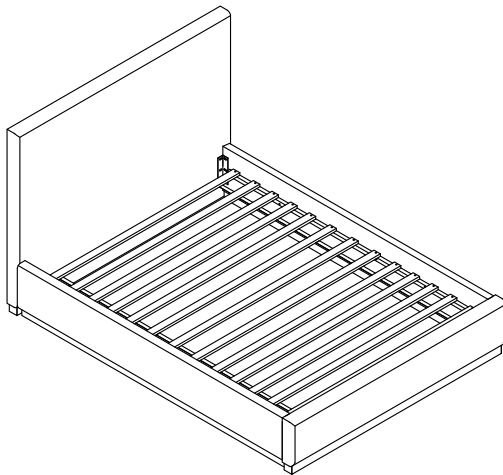


# ASSEMBLY INSTRUCTION

## Bed- T



**+ Do Not Use  
Power Tools**



**+Suggested  
Adults**



### NOTE:

- 1 Read instructions cover to cover.
- 2 Save all packaging until assembly is completed.

### 1 IMPORTANT SAFETY INFORMATION

**Do not** assemble the product if any of the following parts arrived damaged:

- Part#1 -Headboard
- Part#2 -Footboard
- Part#3 -Wood strip for Side rail
- Part#4 -Slats
- Part#5 -Side rail

**Do not** assemble if any of the following Hardware parts are missing:

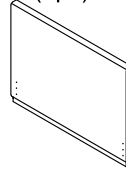
- Part#B,E, -Bolt Part#D, -Lock washer
- Part#A, -Allen Key Part#G -Metal bracket
- Part#C,H -Flat washer Part#F -screw

### 2 IMPORTANT SAFETY INFORMATION

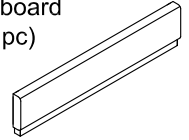
**Assembly Step** if loosening persists, please make sure to tighten all the bolts periodically, or use a thread locker adhesive.

### +Parts Included

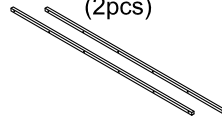
① Headboard  
(1pc)



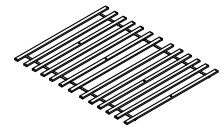
② Footboard  
(1pc)



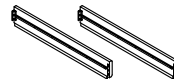
③ Wood strip for  
Side rail  
(2pcs)



④ Slats  
(13pcs)



⑤ Side rail  
(2pcs)



### +Hardware Included

A Ø1/4"  
(1pc)



B Ø5/16"\*1"  
(24pcs)



C Ø5/16"  
(24pcs)



D Ø5/16"  
(36pcs)



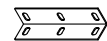
E Ø1/4" \*2 3/8"  
(12pcs)



F #8\*30mm  
(26pcs)



G Metal bracket  
(4pcs)



H Ø1/4"  
(12pcs)

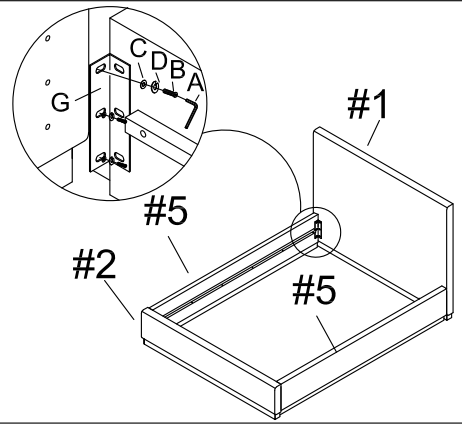


# ASSEMBLY INSTRUCTION

## Bed- T

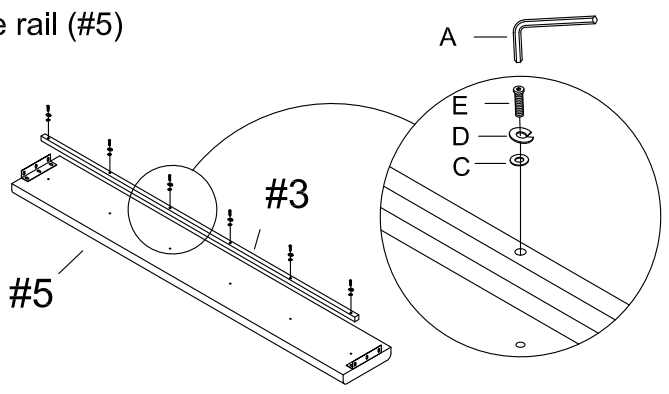
1

Step 1. Attach Metal Bracket (G) to side rail (#5), Headboard (#1) and Footboard (#2) with Bolt (B), Lock washer (D) and Flat washer (C) .Tighten with Allen Key (A).



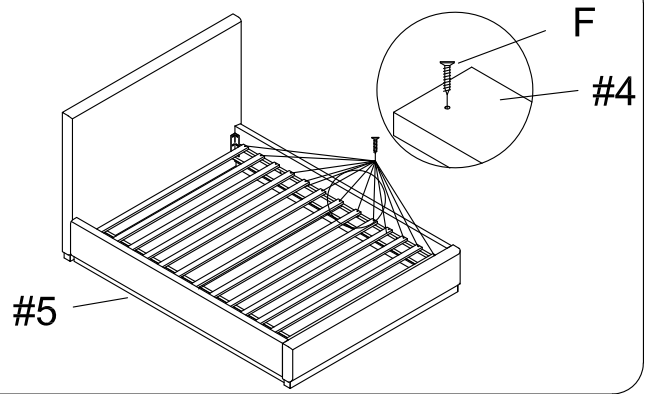
2

Step 2. Attach Wood strip for Side rail (#3) to side rail (#5) with Bolt (B), Lock washer (D) and Flat washer (C) .Tighten with Allen Key (A).



3

Step 3. Attach Slats (#4) to Side rail (#5) with Allen Screw (F).



4

Assembly Complete.

