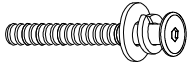
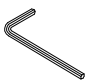


ASSEMBLY INSTRUCTIONS

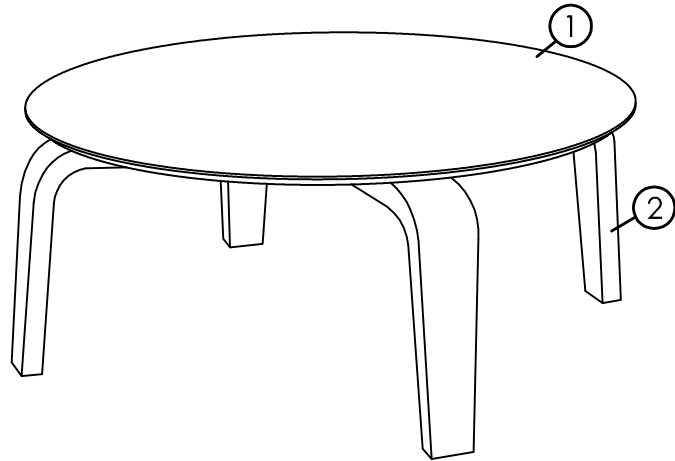
COFFEE TABLE

IMPORTANT NOTE :

- * PLACE ALL WOODEN PARTS ON A CLEAN AND SMOOTH SURFACE SUCH AS A RUG OR CARPET TO AVOID THE PARTS FROM BEING SCRATCHED.
- * BEFORE YOU BEGIN, KINDLY FOLLOW THE ASSEMBLY INSTRUCTIONS STEP BY STEP.

| HARDWARE LIST | | |
|---------------|--|-------|
| A | JCBB M8 x 50mm + S/W 5/16 + F/W 5/16 x 22mm  | 16PCS |
| B | ALLEN KEY M5  | 1PC |

| PART LIST | | |
|-----------|-----------|------|
| 1 | TABLE TOP | 1PC |
| 2 | TABLE LEG | 4PCS |



COMPLETED COFFEE TABLE ASSEMBLY.

