

INSTALLATION

Product Manual



WARNING!



- 1. The product is prohibited for use between the ages of 0 and 3;**
- 2. During the product installation process, please stay away from children;**
- 3. Product small screw accessories, do not swallow;**
- 4. When using the adjustment gear, do not pinch your hands;**
- 5. When using the product, place it steadily, keep the ground flat, and maintain a dry environment;**
- 6. Maximum load-bearing capacity of the product;
Max:110 lbs (50 kg)**

Version: 590039US-01-25A-SJH



IMPORTANT INFORMATION!

please read the entire manual before starting to assemble and/or using this product. follow the manual thoroughly and keep it for further reference.



AVOID SCRATCHES!

In order to avoid scratching this furniture should be assembled on a soft layer- could be a rug.



IMPROVE EFFICIENCY !

Try to find a partner to install with you, which can speed up the installation efficiency and shorten the time.



ANTI-TOPPLE WARNING !

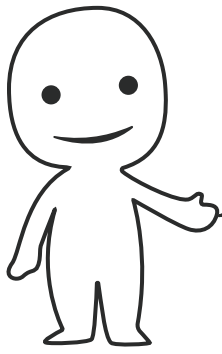
Overturnd furniture can cause serious or fatal crush injuries. To prevent tipping over, be sure to use the wall attachment, if not included with this product. Please purchase the wall attachment that fit your wall. If unsure, seek professional advice. Please read and follow each step of the instructions carefully.

IMPORTANT !

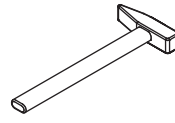
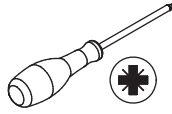
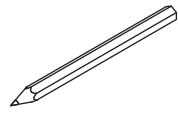
It is important that any product which is assembled using any kind of screw is re-tightened 2 weeks after assembly, and once every 3 months - in order to assure stability through-out the lifespan of the product.

For regular maintenance and cleaning of the product, for the frame, please use a rag dipped in neutral detergent to fully wipe it, and then dry it with a clean rag. For glass materials, wipe with a rag dampened with water glass cleaner, and then dry with a dry rag.

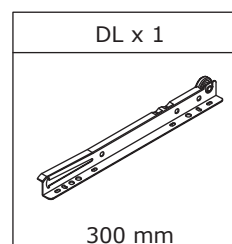
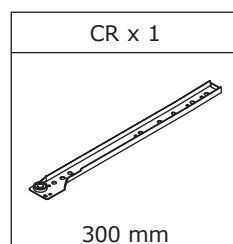
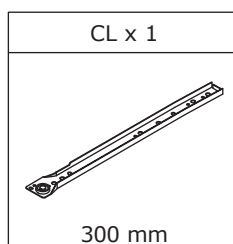
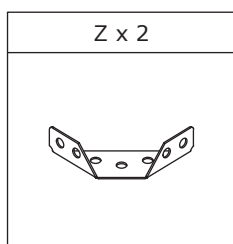
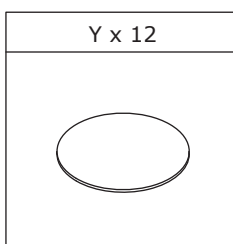
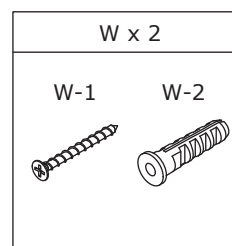
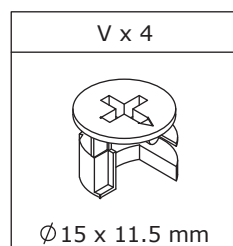
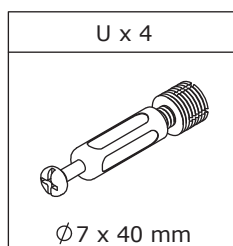
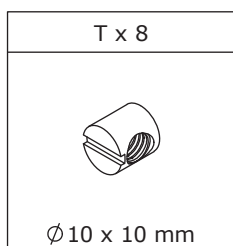
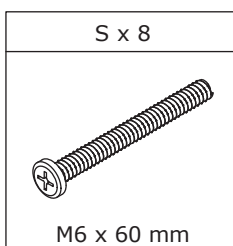
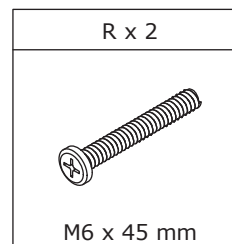
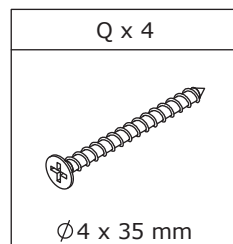
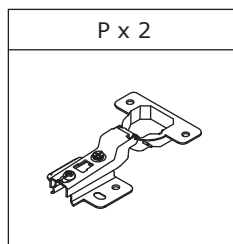
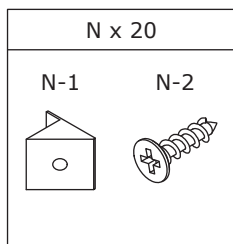
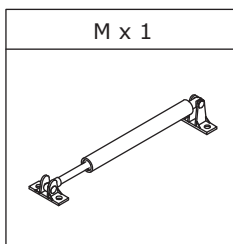
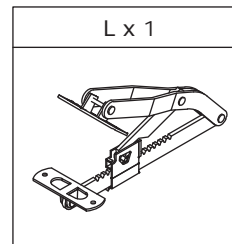
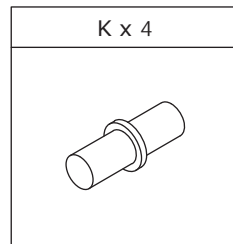
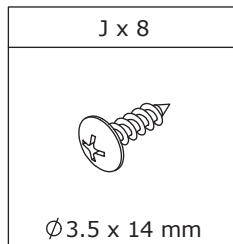
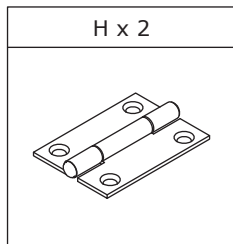
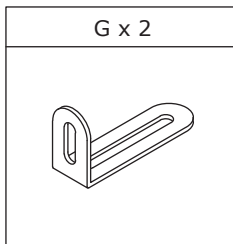
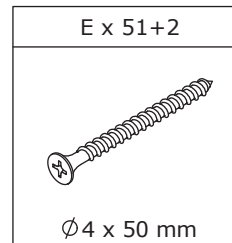
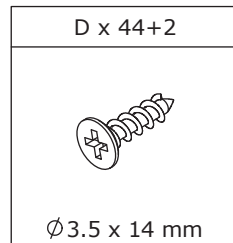
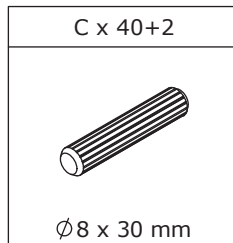
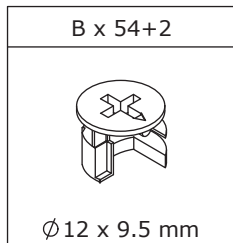
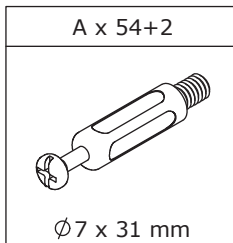
Do not use an electric screwdriver, and do not use too much force when installing, because the board is easy to break.

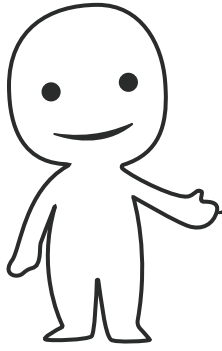


Please prepare the following tools

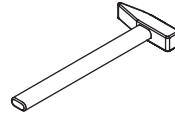
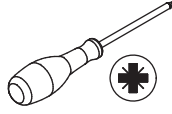
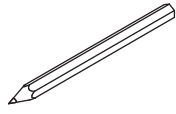


When installing, please carefully confirm whether each screw corresponds to the manual, accessories with similar shapes can be distinguished by size



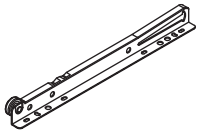


Please prepare the following tools



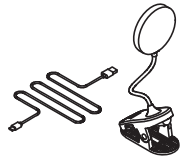
When installing, please carefully confirm whether each screw corresponds to the manual, accessories with similar shapes can be distinguished by size

DR x 1

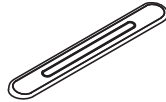


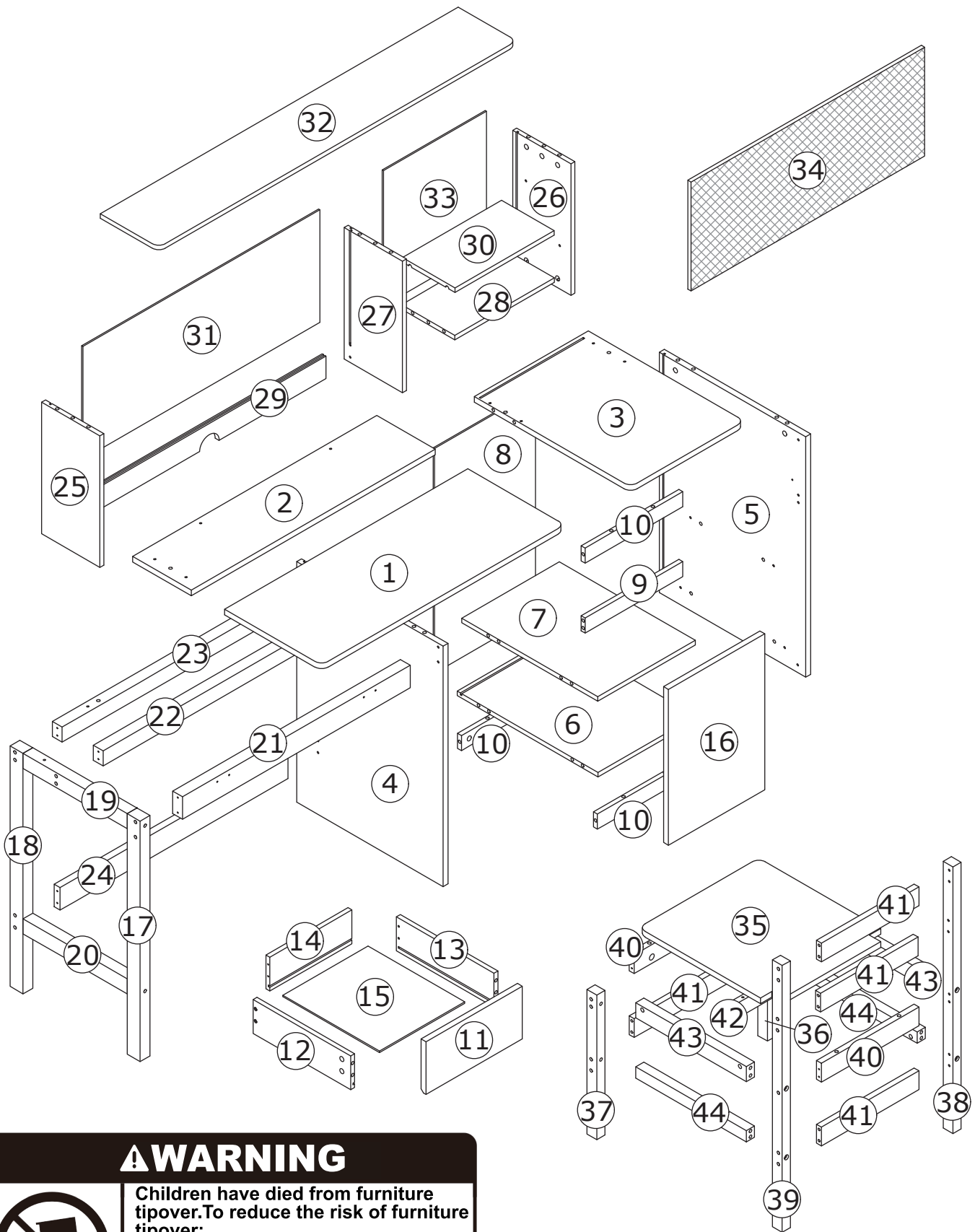
300 mm

AA x 1



BB x 1



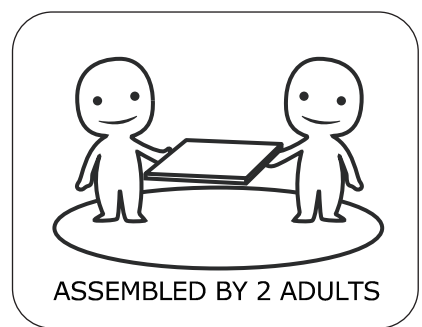


⚠ WARNING

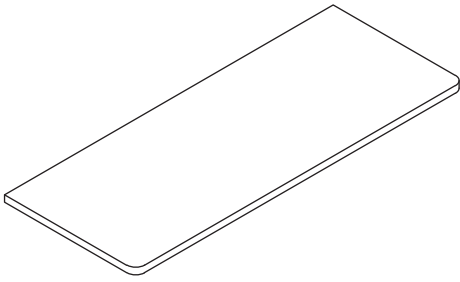
Children have died from furniture tipover. To reduce the risk of furniture tipover:

- ALWAYS install Anti-tip device provided.
- NEVER put a TV on this product.
- NEVER allow children to stand, climb or hang on drawers, doors, or shelves.
- NEVER open more than one drawer at a time.
- Place heaviest items in the lowest drawers.

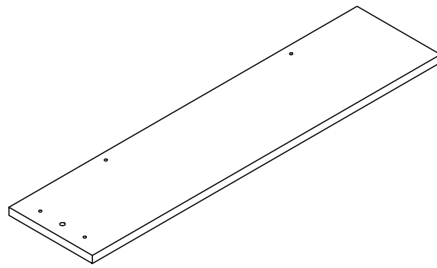
This is a permanent label. Do not remove!



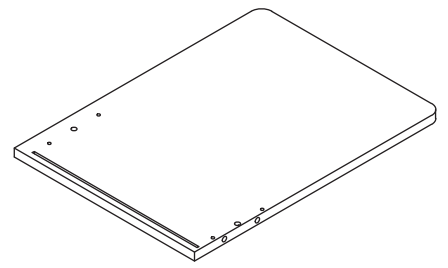
① x1



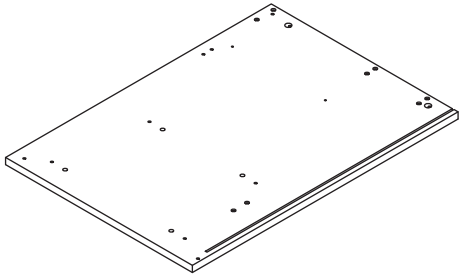
② x1



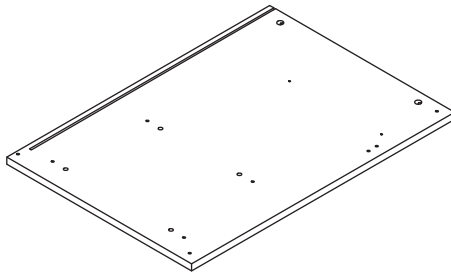
③ x1



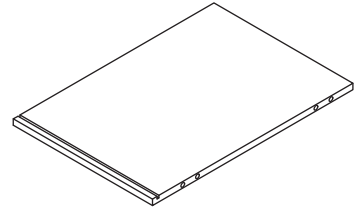
④ x1



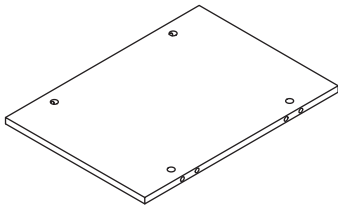
⑤ x1



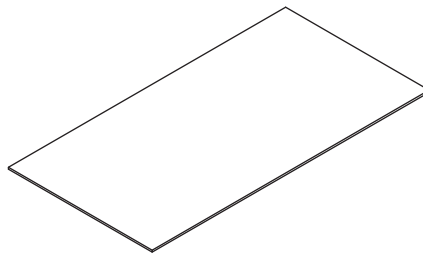
⑥ x1



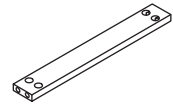
⑦ x1



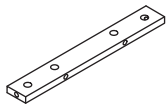
⑧ x1



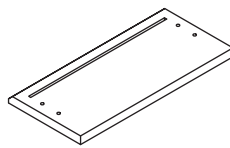
⑨ x1



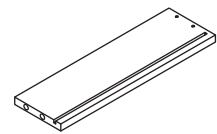
⑩ x3



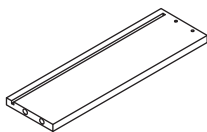
⑪ x1



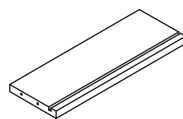
⑫ x1



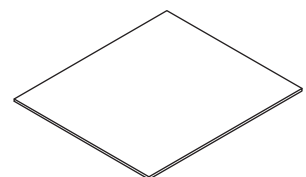
⑬ x1



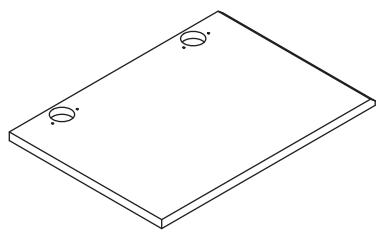
⑭ x1



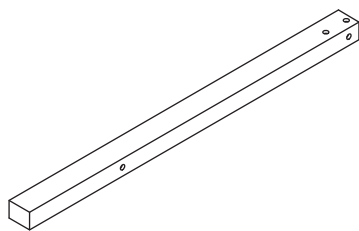
⑮ x1



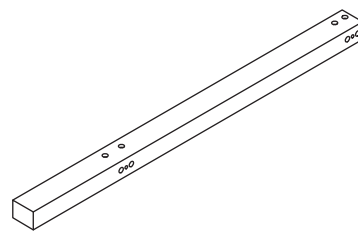
16x1



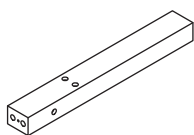
17x1



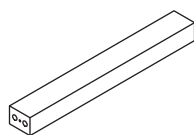
18x1



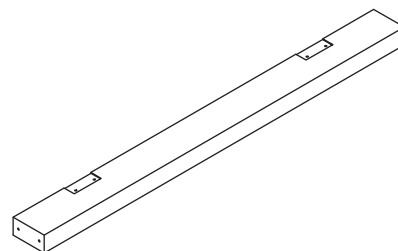
19x1



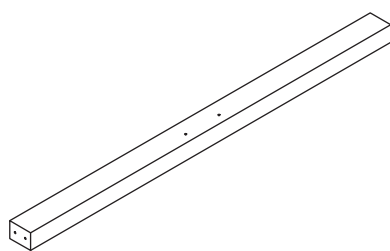
20x1



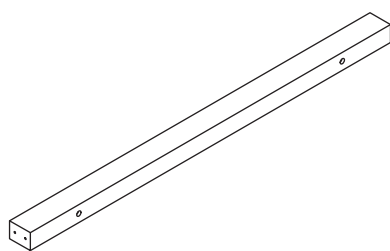
21x1



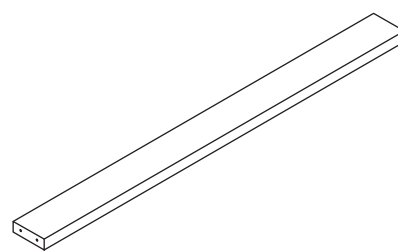
22x1



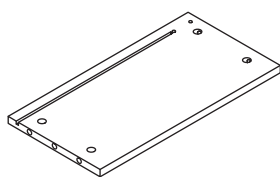
23x1



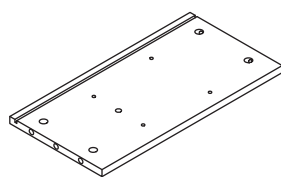
24x1



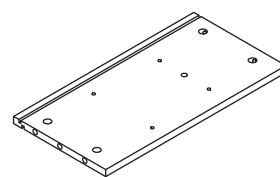
25x1



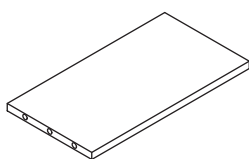
26x1



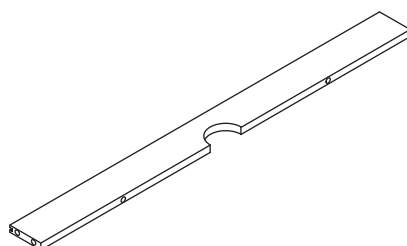
27x1



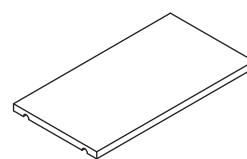
28x1



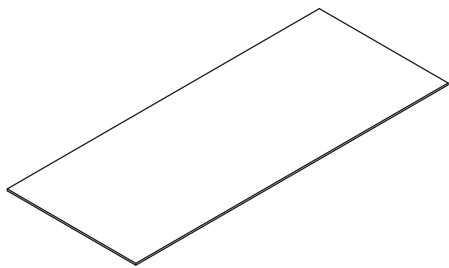
29x1



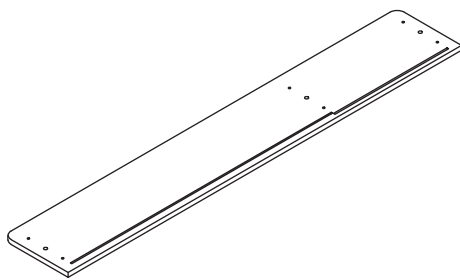
30x1



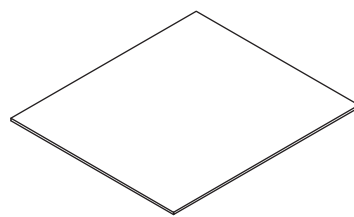
31x1



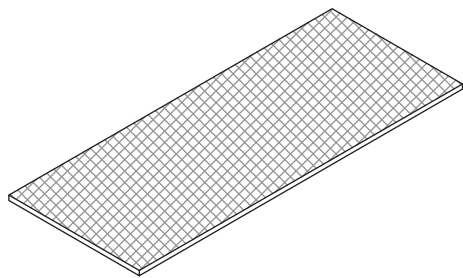
32x1



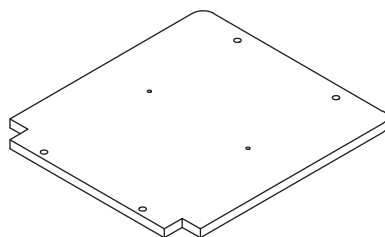
33x1



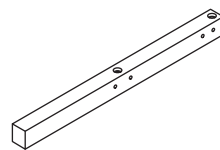
34x1



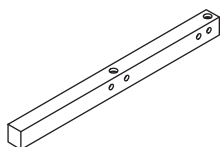
35x1



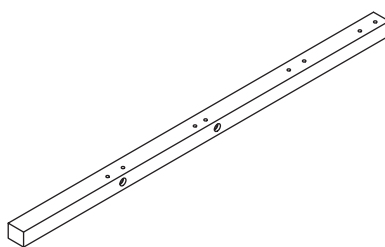
36x1



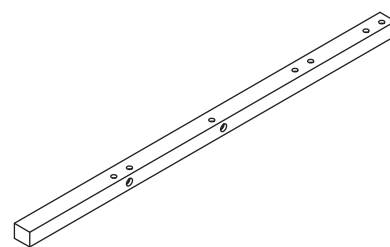
37x1



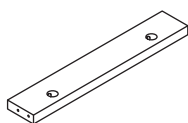
38x1



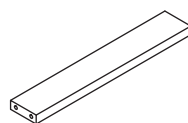
39x1



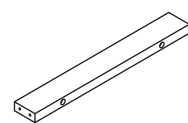
40x2



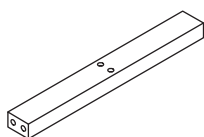
41x4



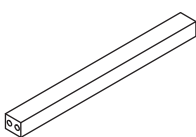
42x1



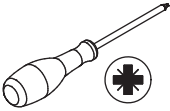
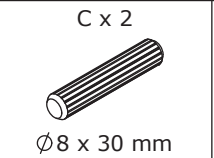
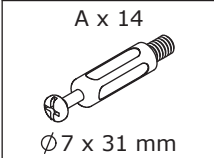
43x2



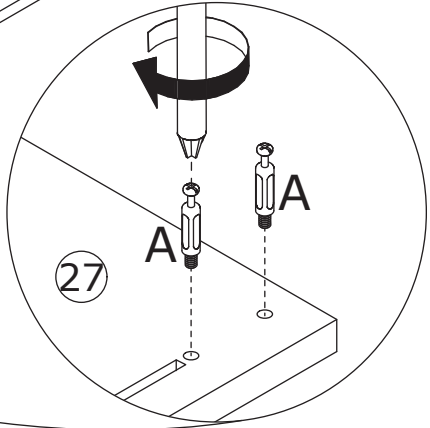
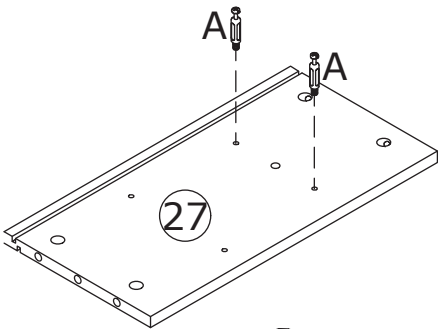
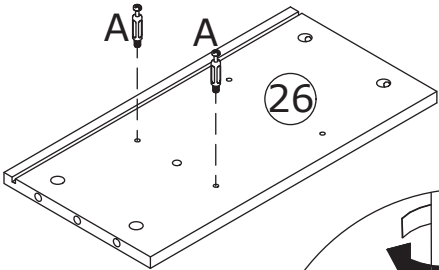
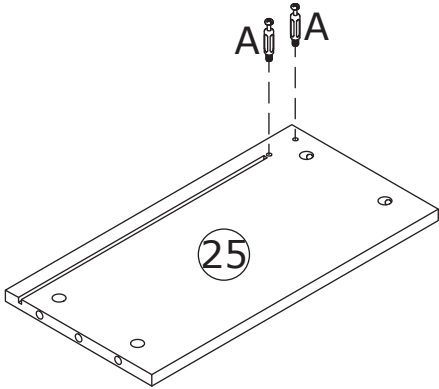
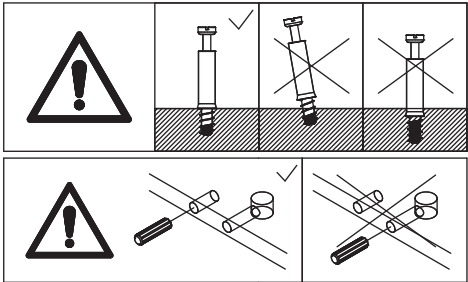
44x2



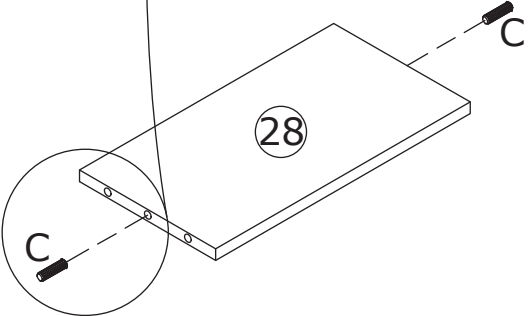
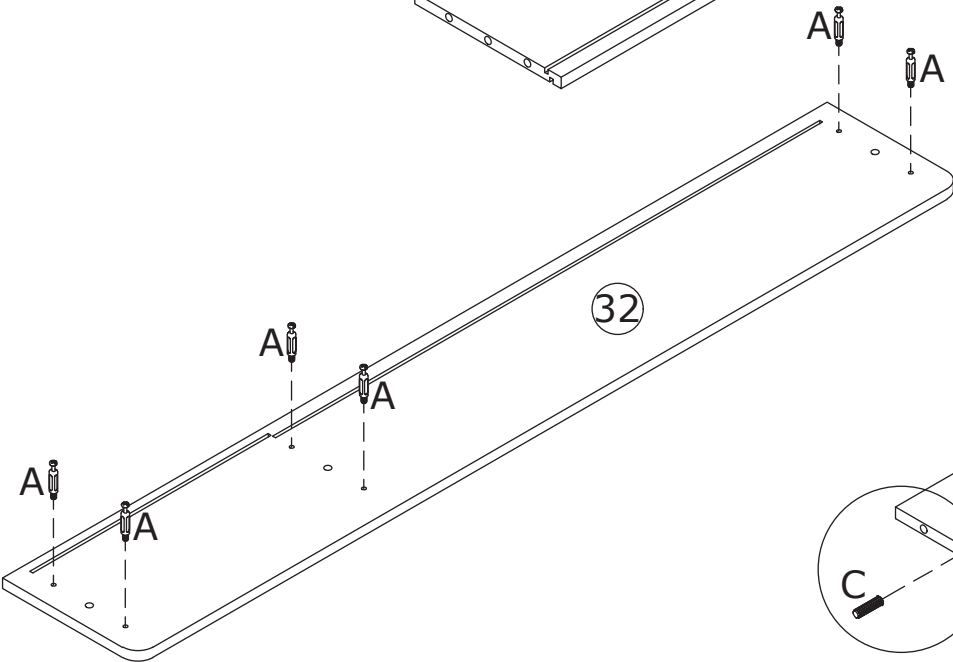
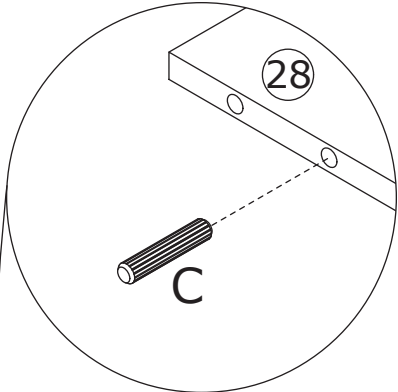
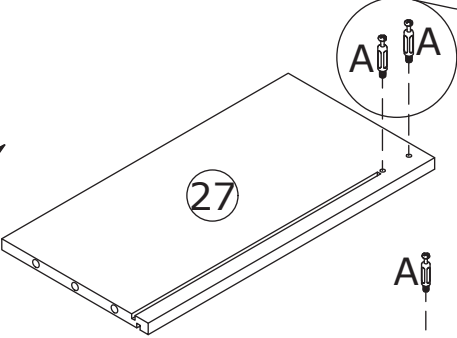
1



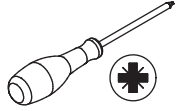
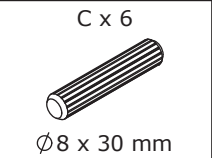
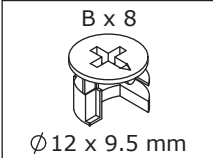
Screw eccentric rod A onto boards 25, 26, 32, and both sides of board 27. Insert dowel C into board 28.



Flip 180°



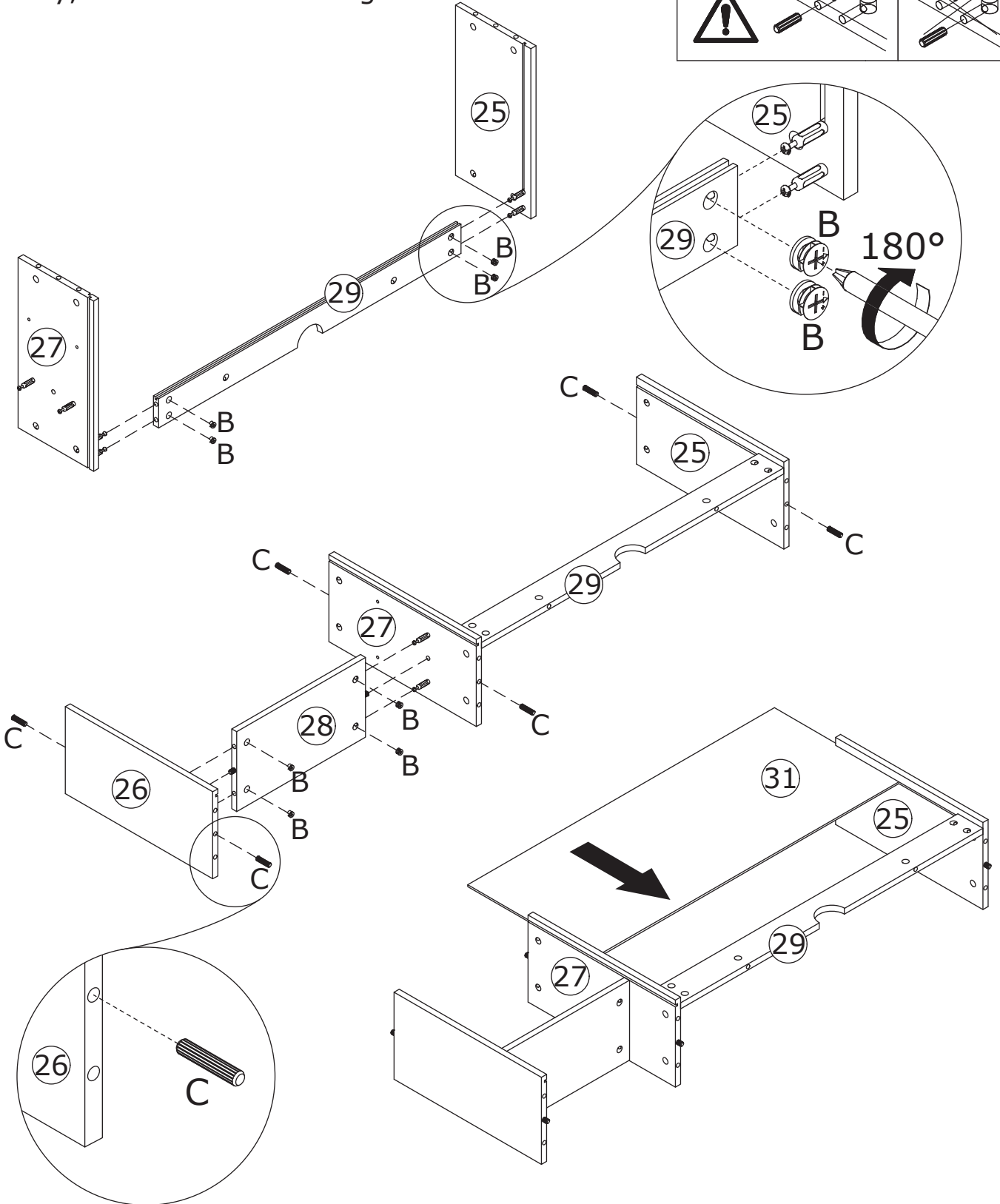
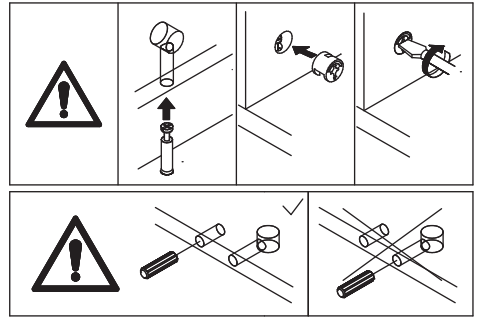
2



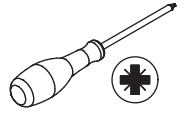
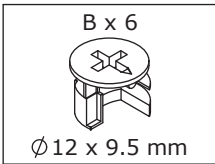
Connect boards 25, 27, and 29, turn cam lock B clockwise to tighten.

Then connect boards 26, 27, and 28, turn cam lock B clockwise to tighten.

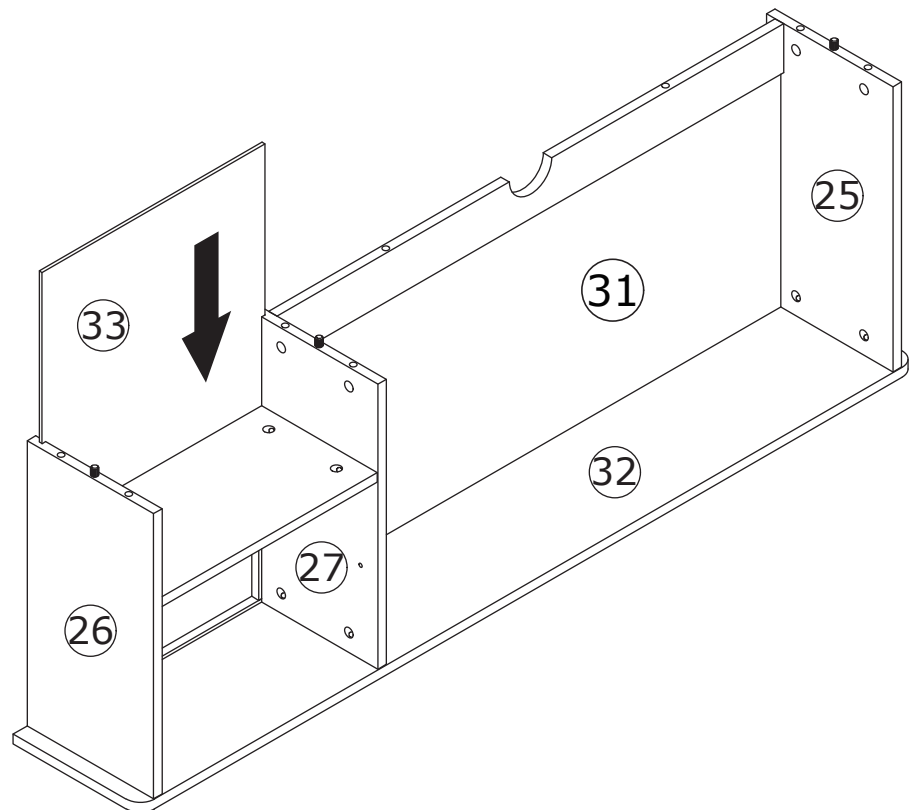
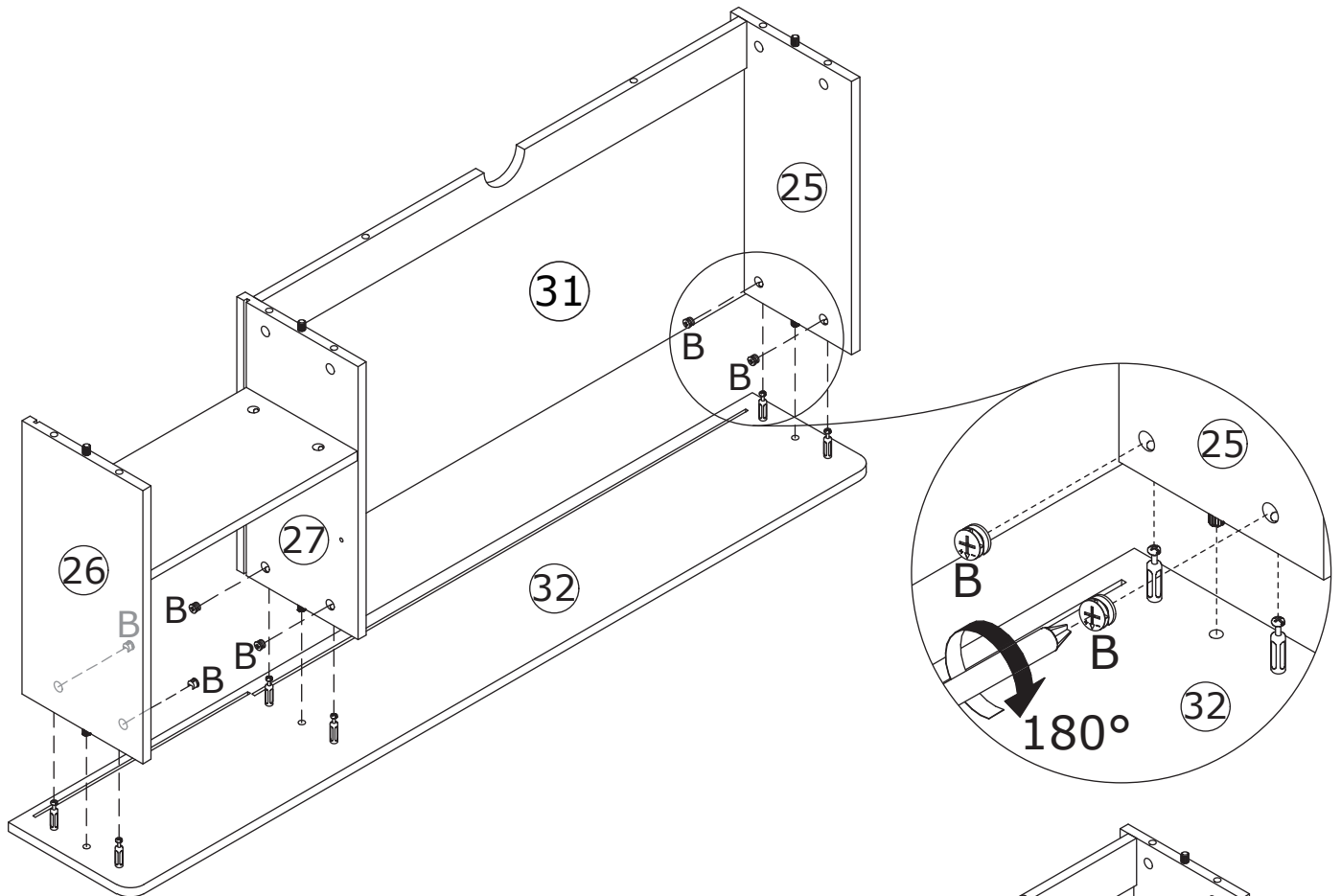
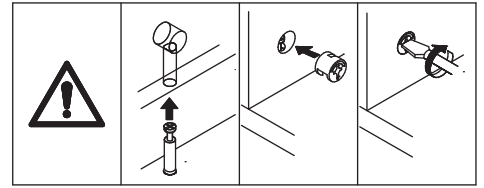
Finally, insert board 31 along the available slots.



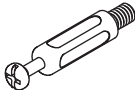
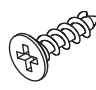
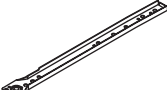

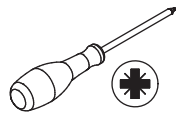
3



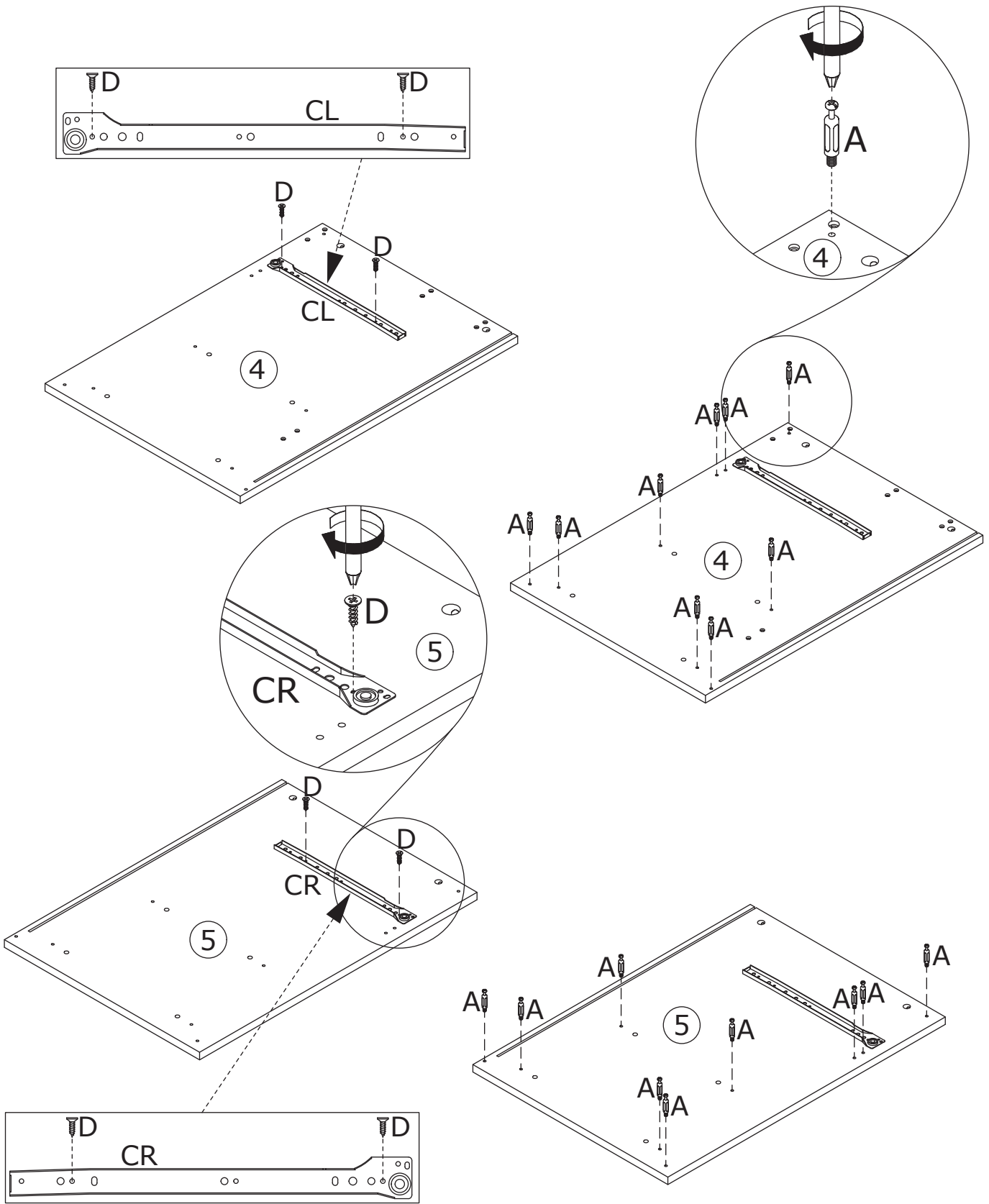
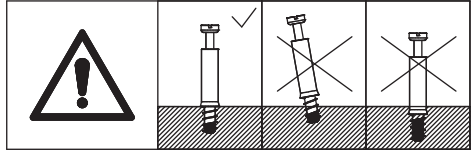
Connect board 32 to the assembled section,
turn cam lock B clockwise to tighten.
Then insert board 33 along the available slots.



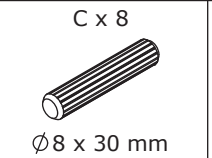
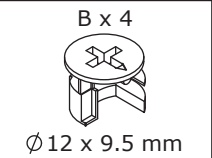
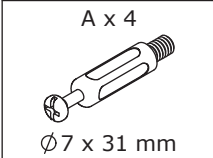
4

<p>A x 18  Ø7 x 31 mm</p>	<p>D x 4  Ø3.5 x 14 mm</p>	<p>CL x 1  300 mm</p>	<p>CR x 1  300 mm</p>	
--	---	--	---	---

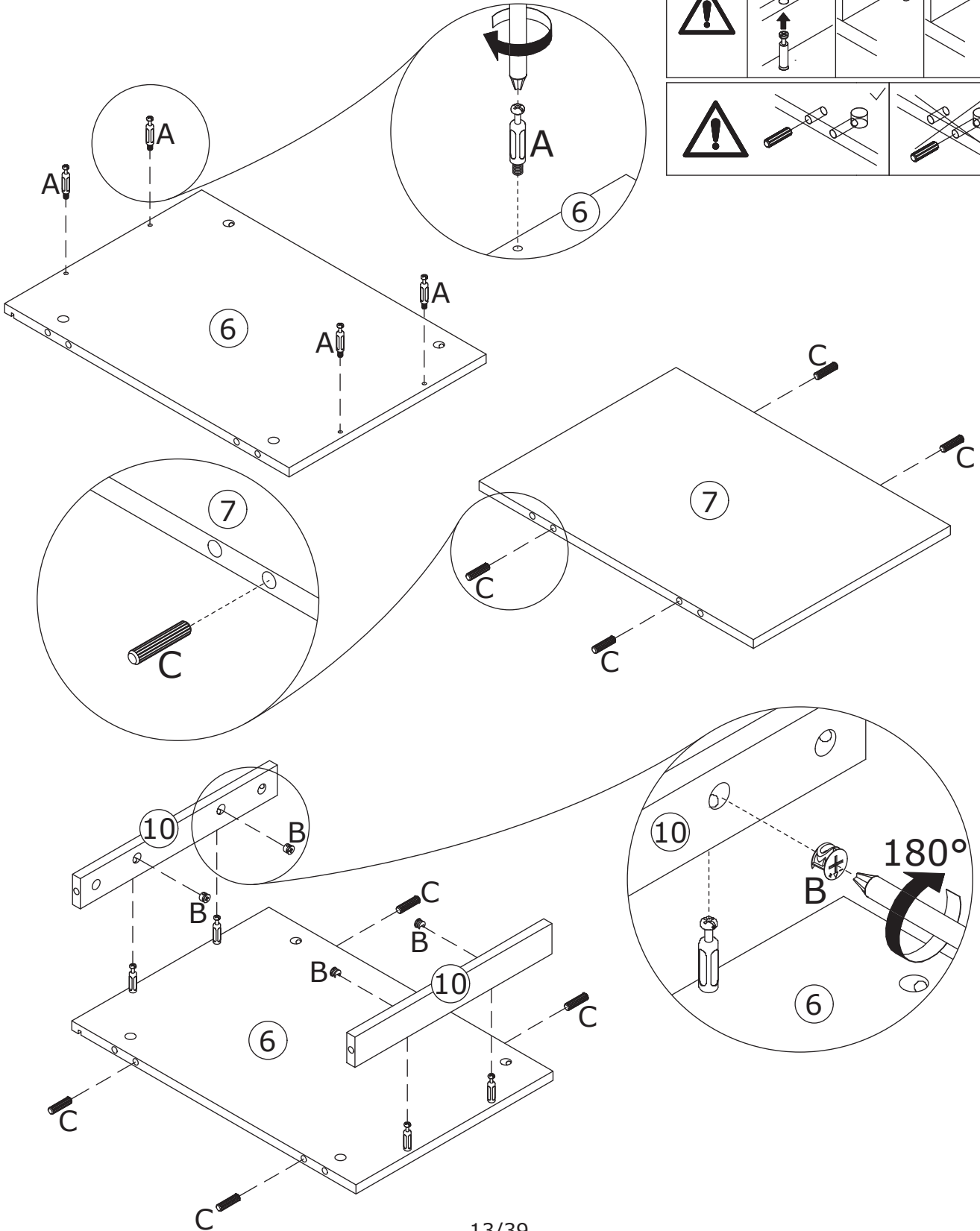
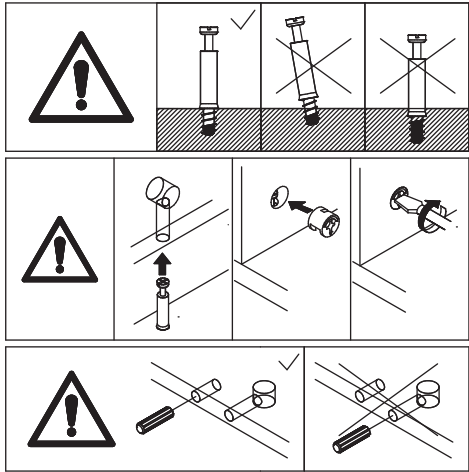
Secure rail D-CL and D-CR to boards 4 and 5 using screw D.
Screw eccentric rod A onto boards 4 and 5.



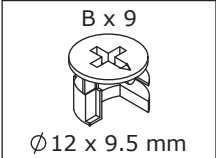
5



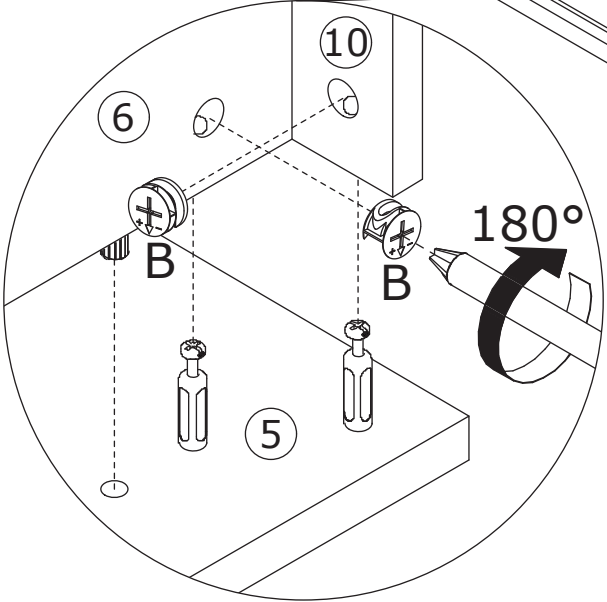
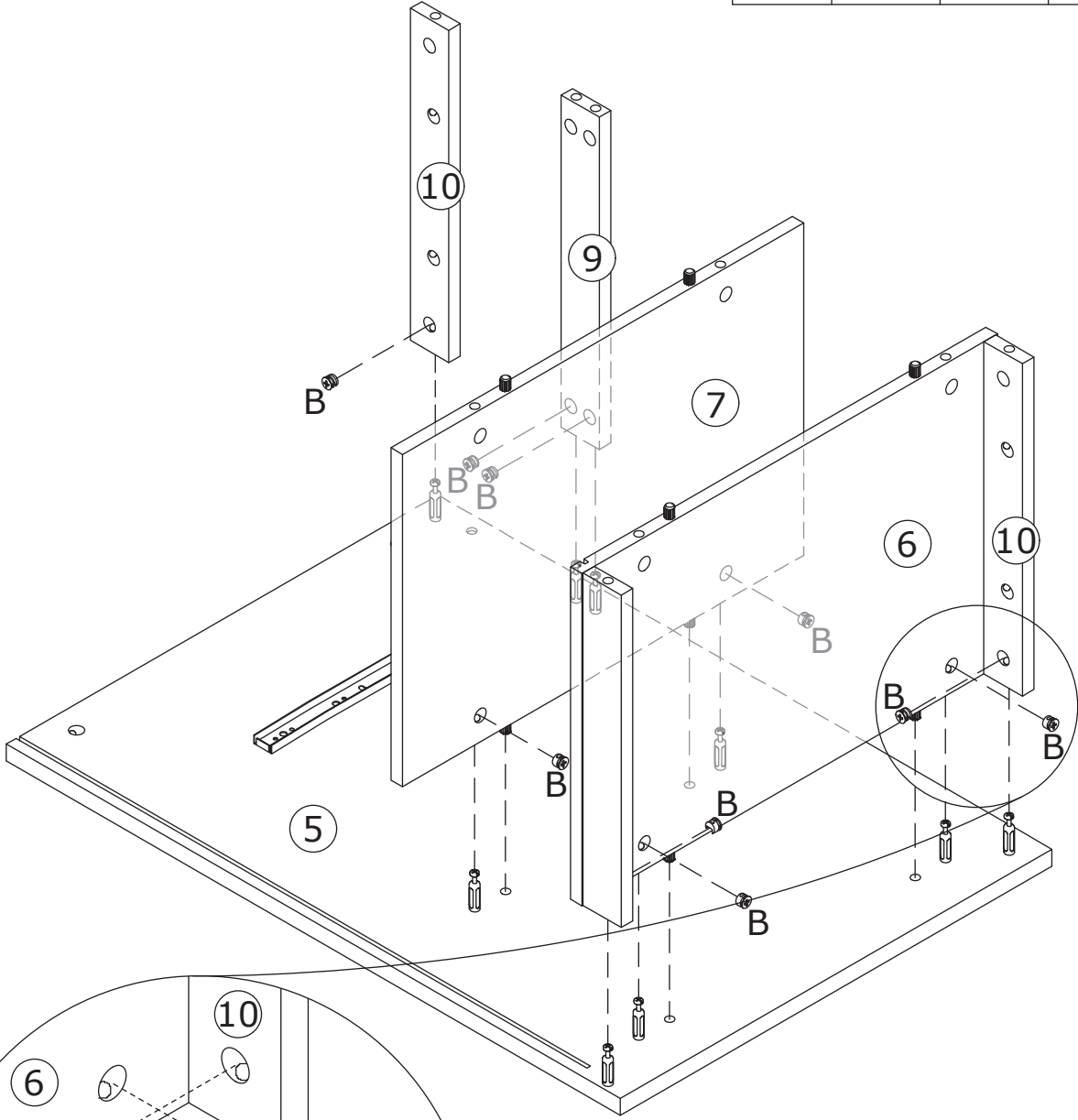
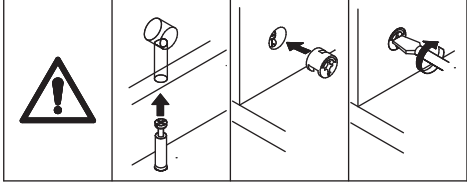
Screw eccentric rod A onto board 6.
Connect board 6 and 10, turn cam lock B
clockwise to tighten.
Finally, insert dowel C into boards 6 and 7.



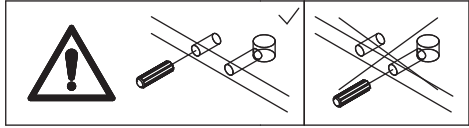
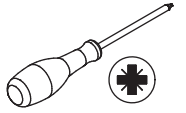
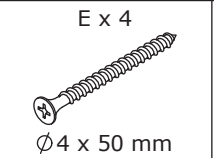
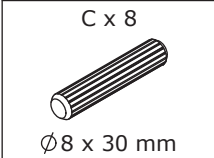
6



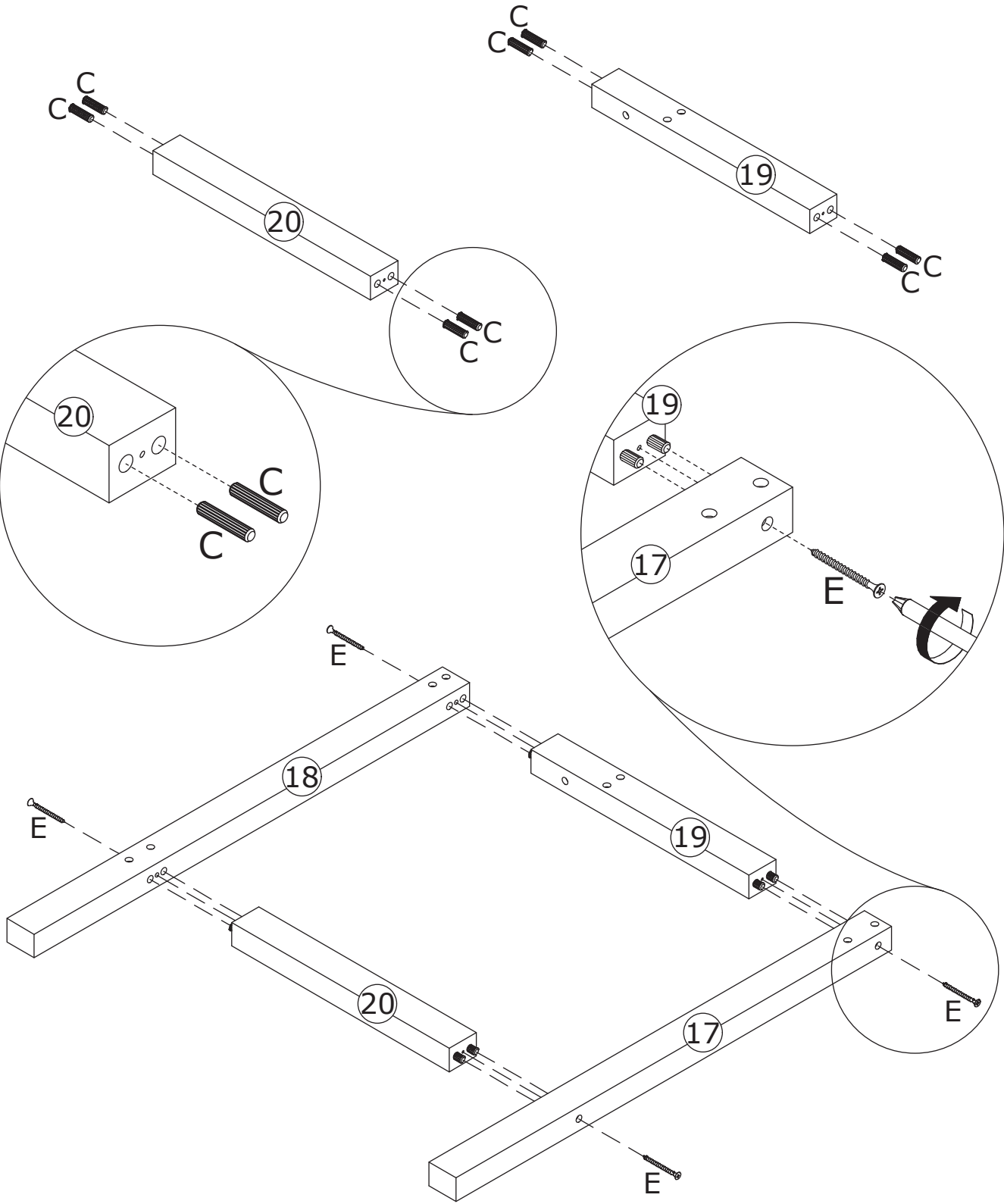
Connect boards 5, 6, 7, 9, and 10,
turn cam lock B clockwise to tighten.



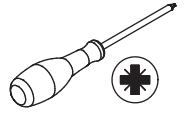
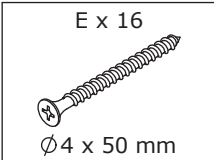
7



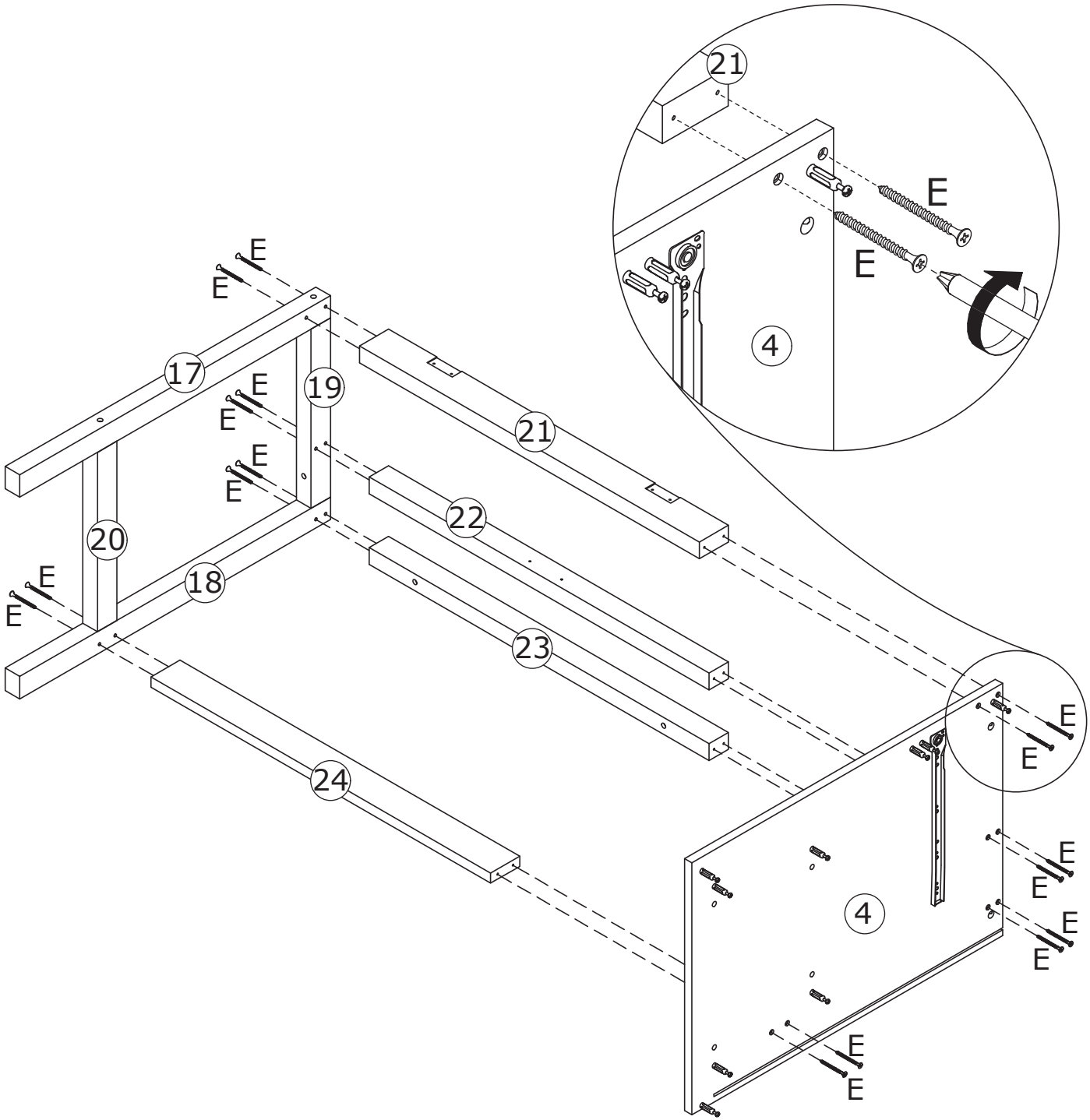
Insert dowel C into wood strips 19 and 20.
Then secure wood strips 17, 18, 19, and 20 using screw E.



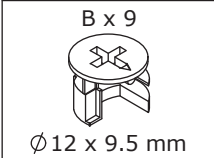
8



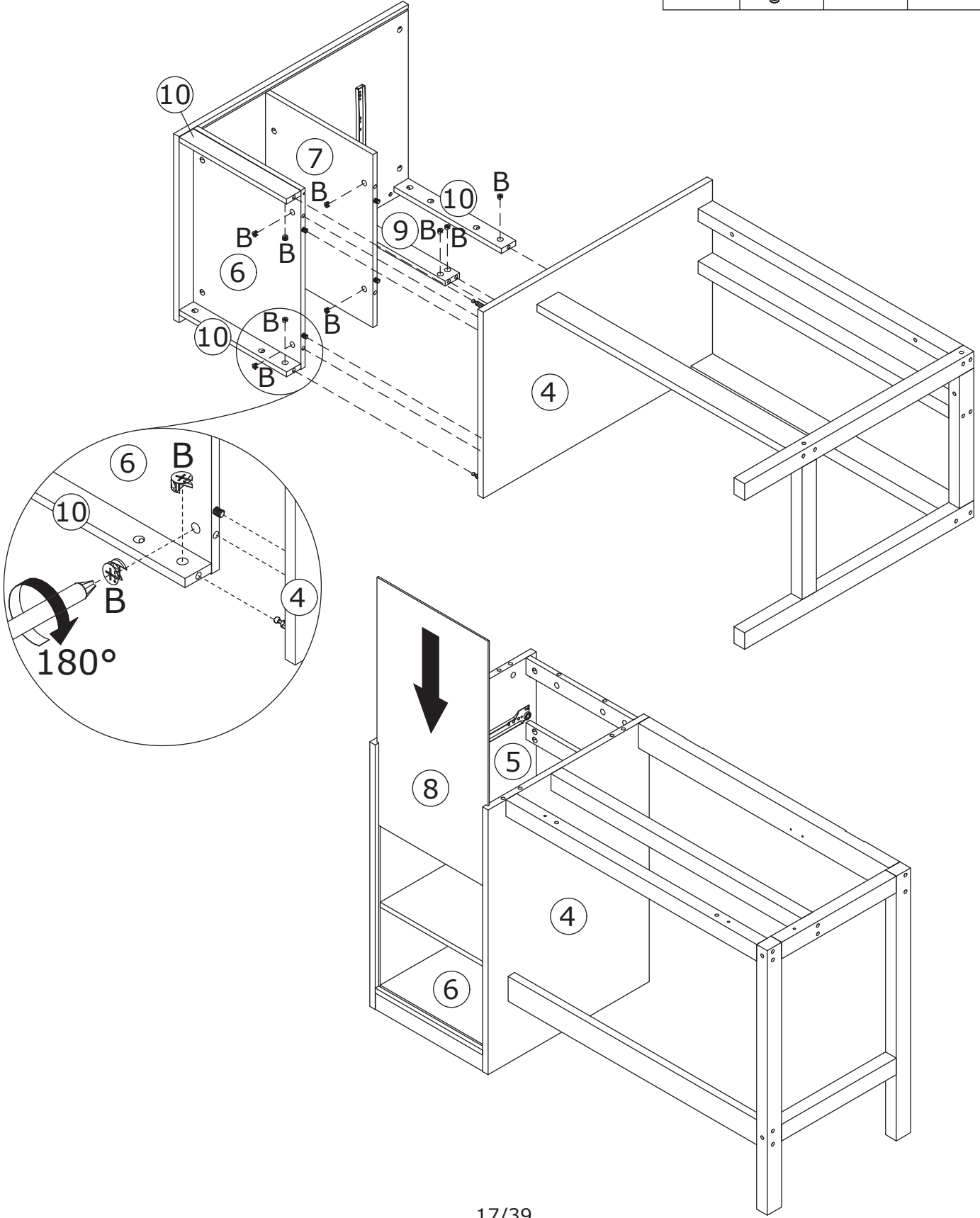
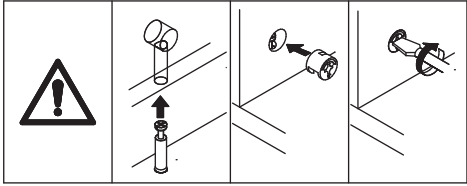
Secure wood strips 17, 18, 19, 21, 22, 23, 24, and board 4 using screw E.



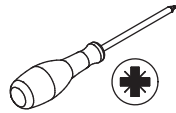
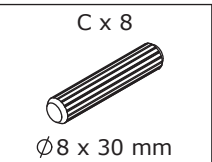
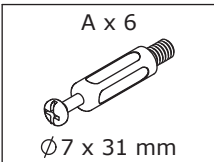
9



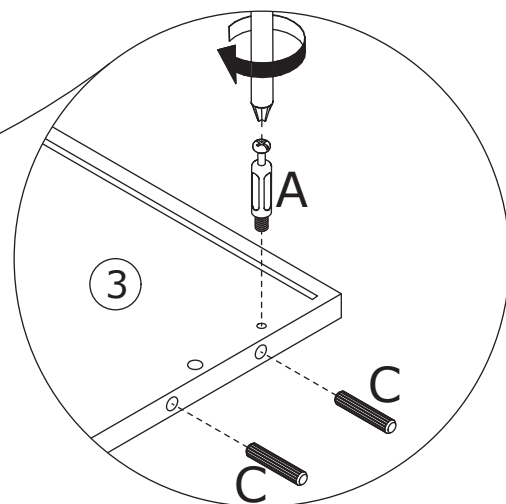
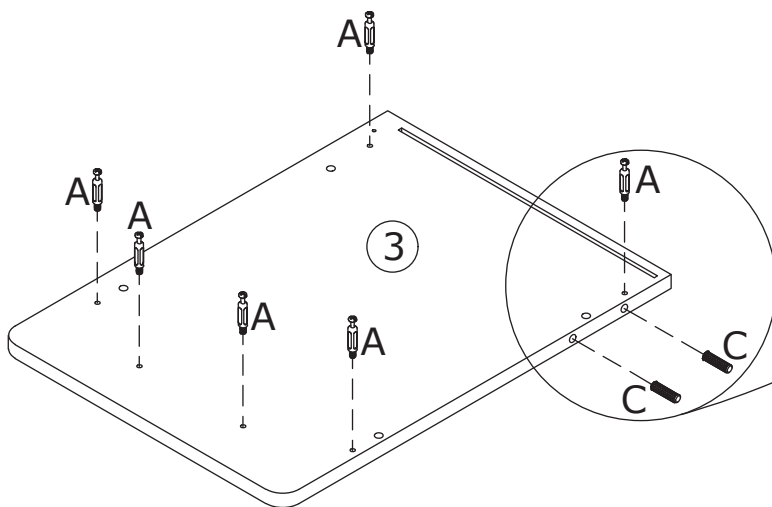
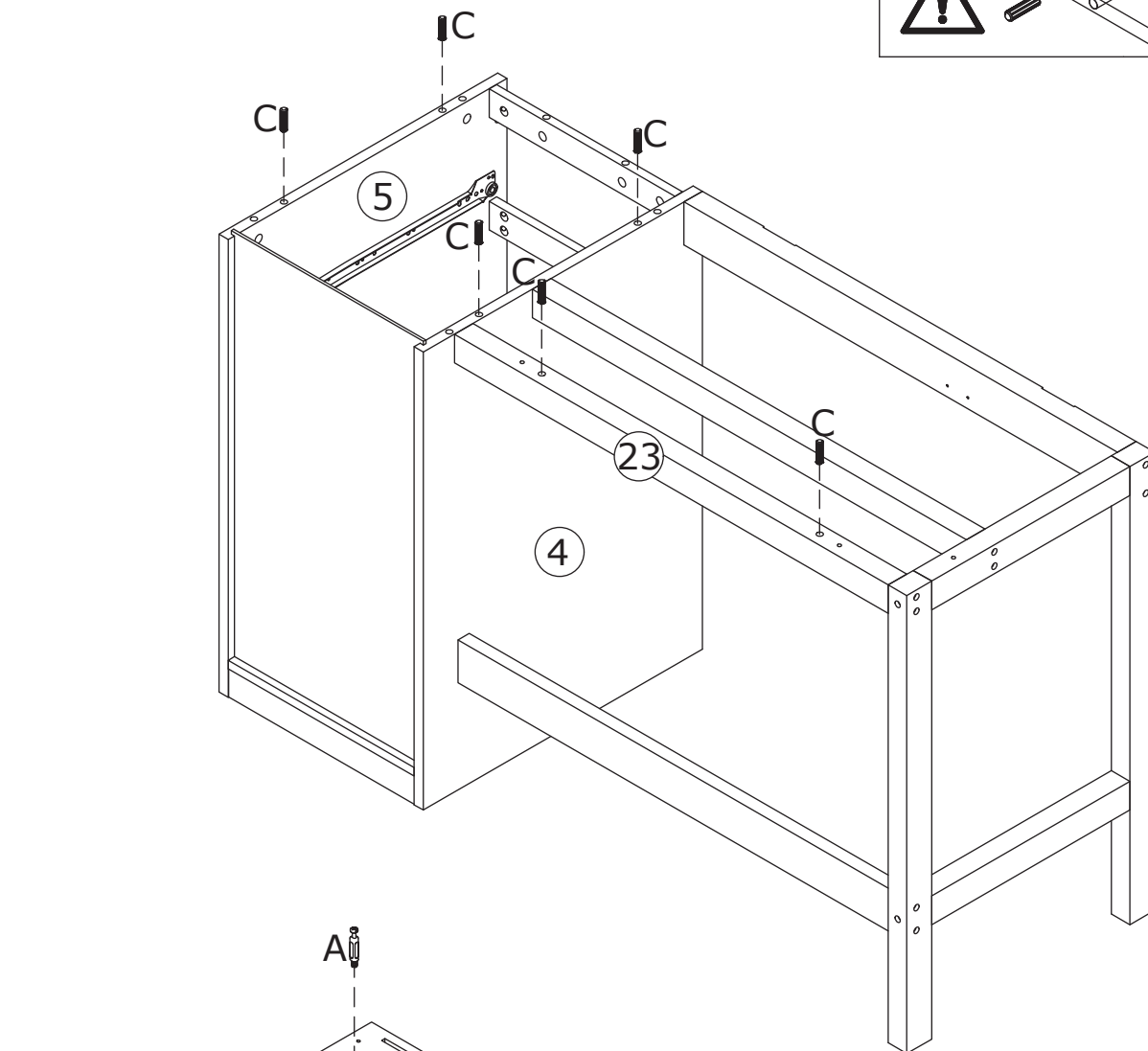
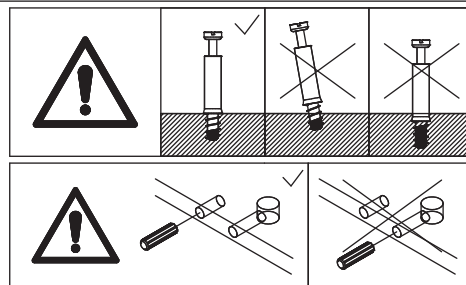
Connect boards 6, 7, 9, 10 to board 4, turn cam lock B clockwise to tighten.
Then insert board 8 along the slots.



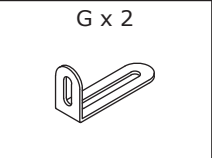
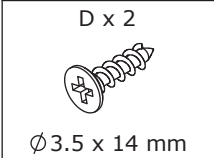
10



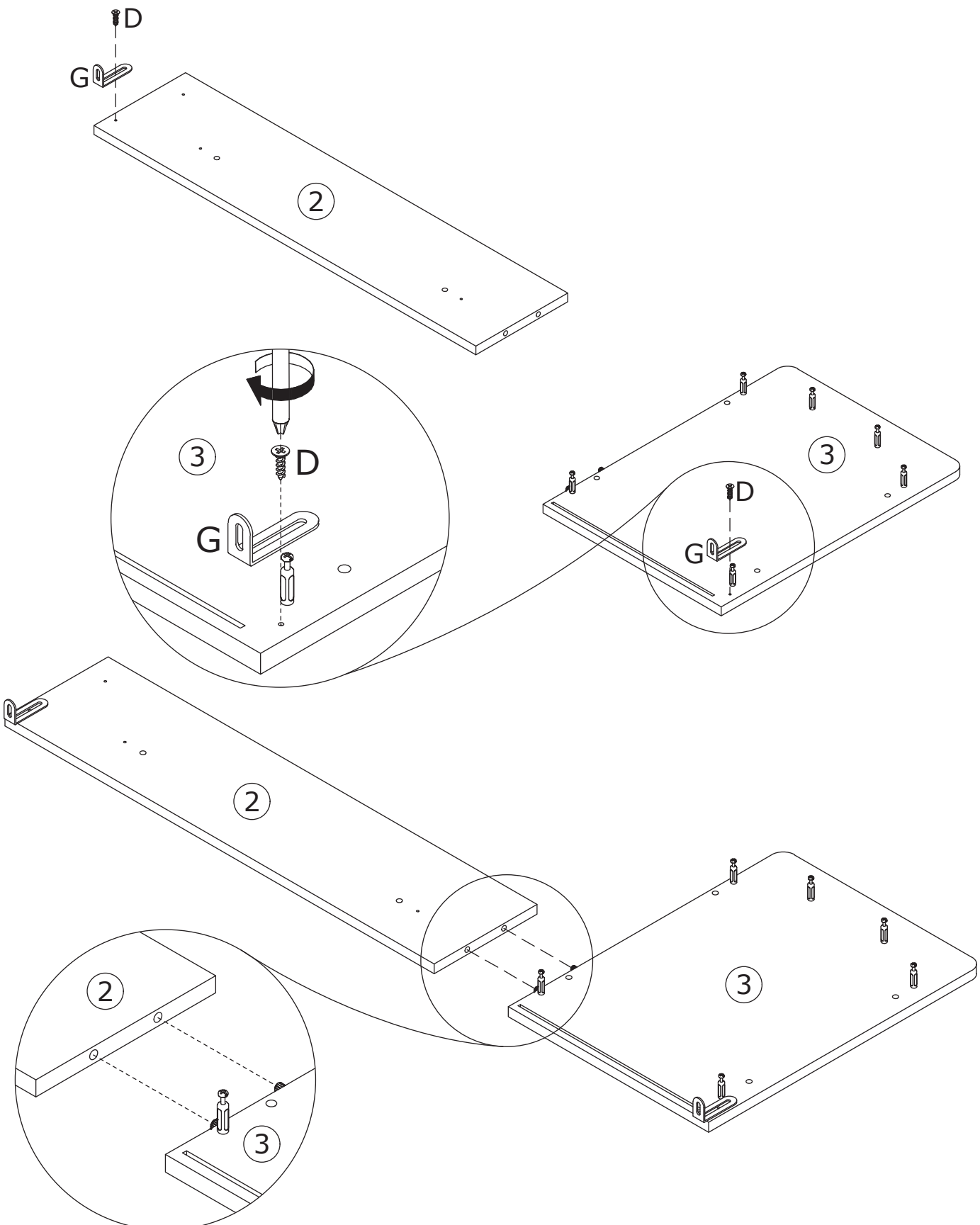
Screw eccentric rod A onto board 3.
Insert dowel C into boards 3, 4, 5, and wood strip 23.



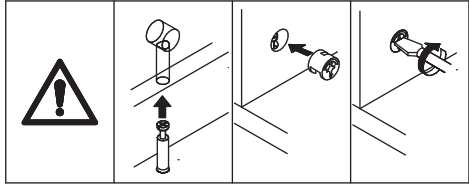
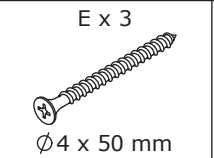
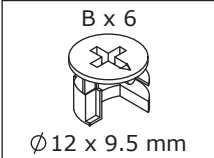
11



Secure metal part G to boards 2 and 3 using screw D.
Then connect boards 2 and 3.

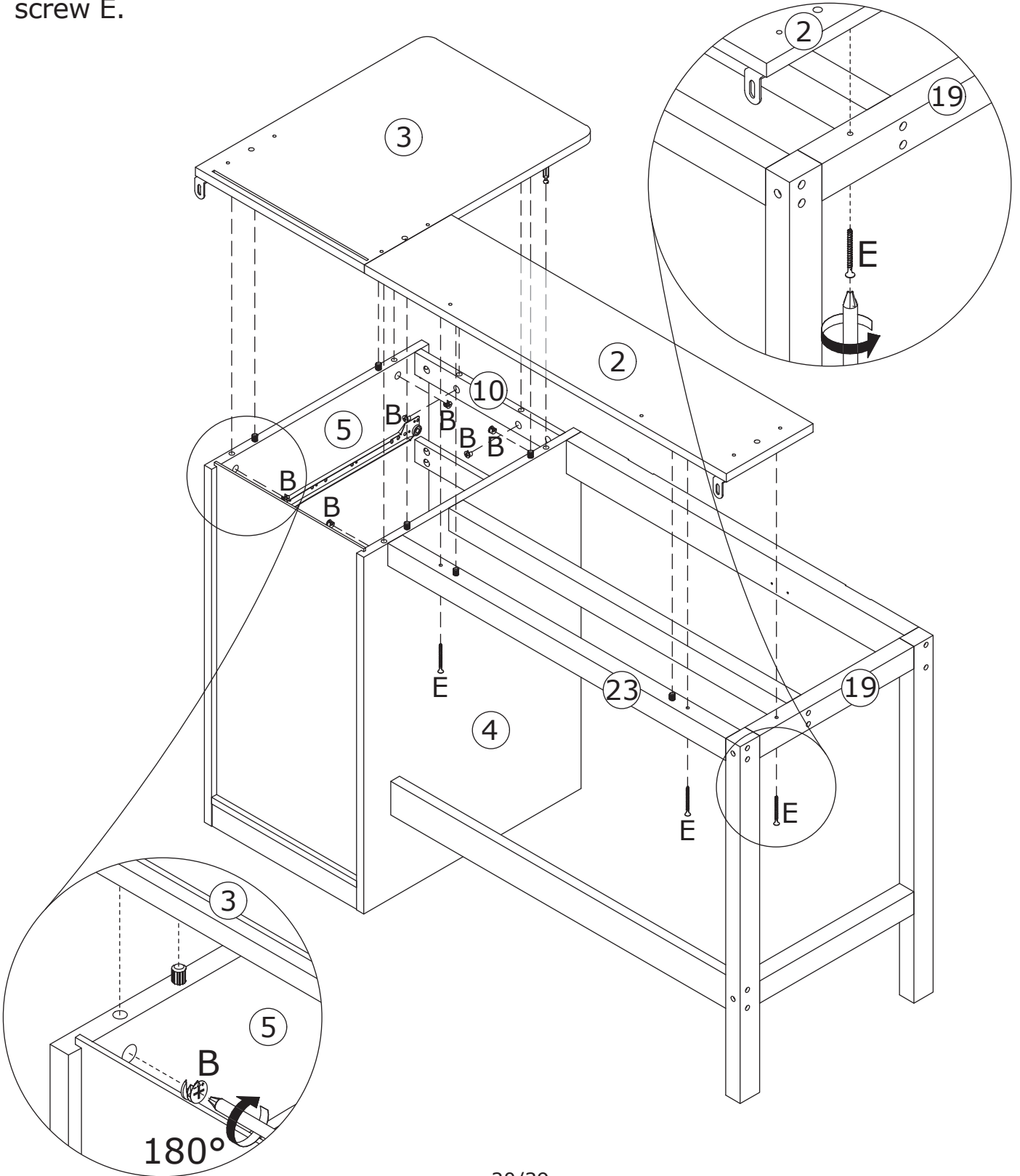


12

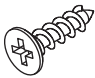
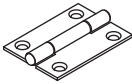

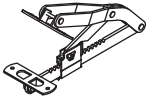
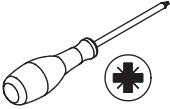


Connect boards 2, 3, 4, and 5, turn cam lock B clockwise to tighten.

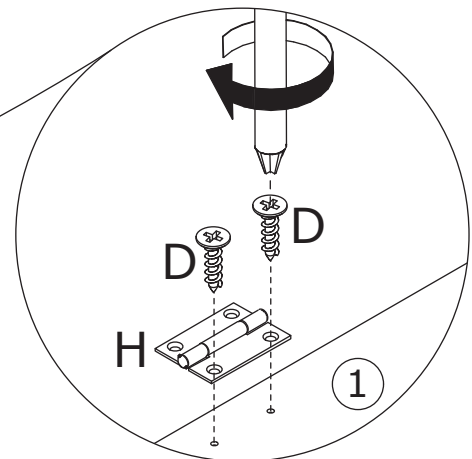
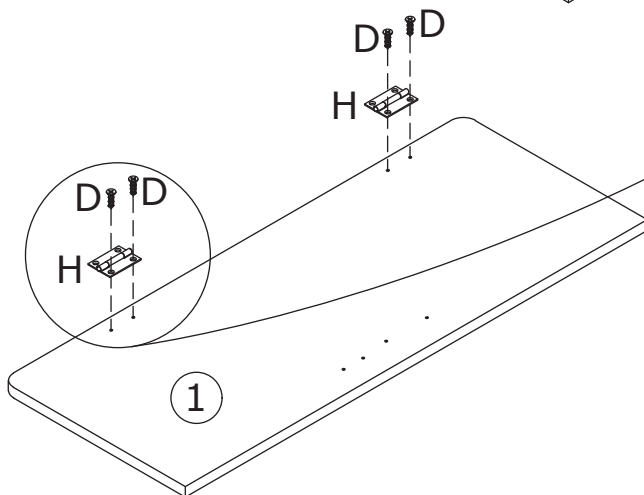
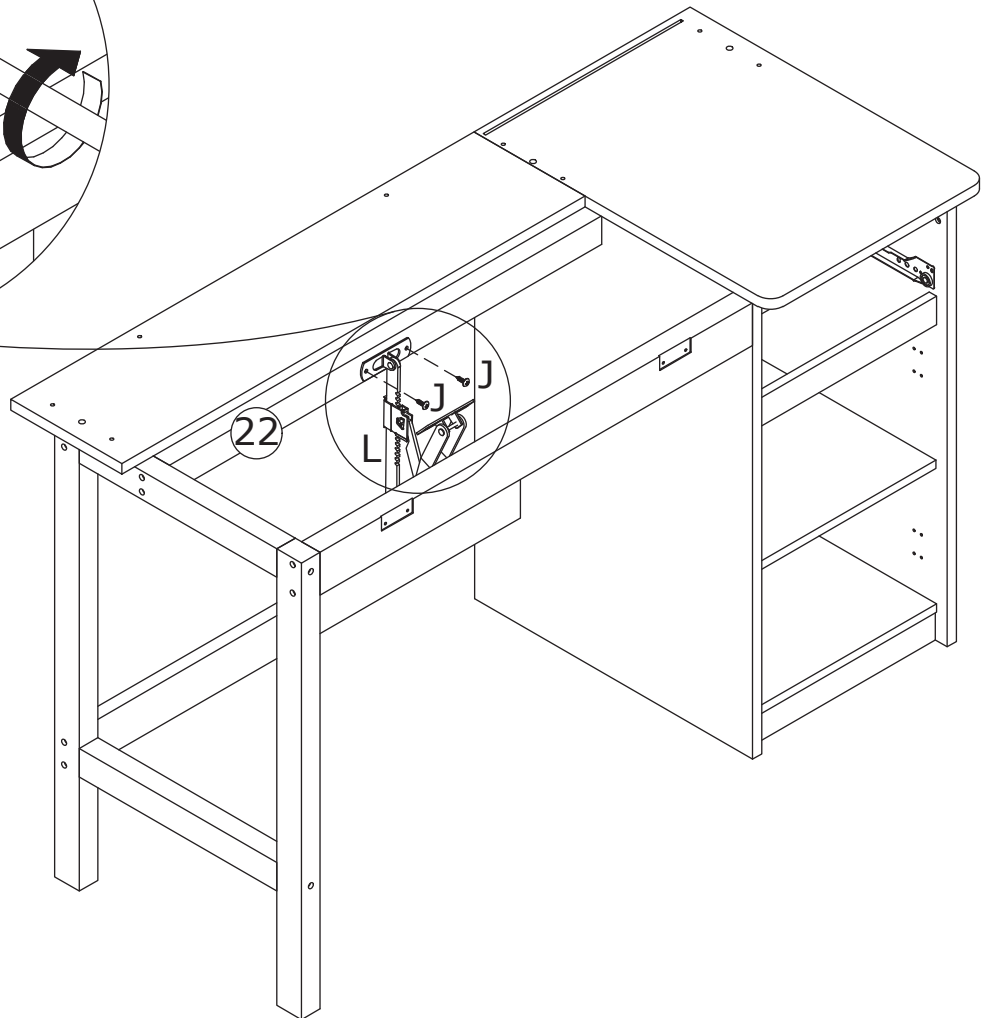
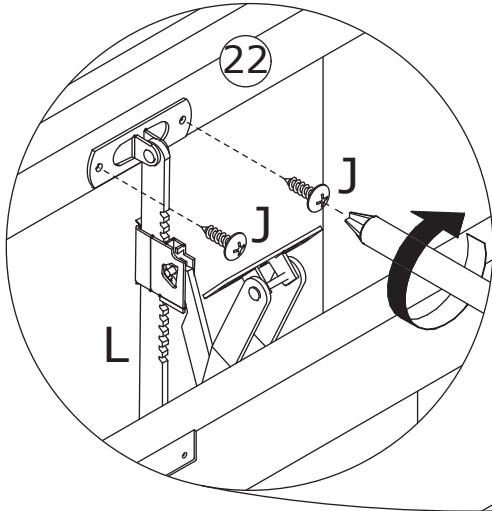
Then secure wood strips 19, 23, and board 2 using screw E.



13

<p>D x 4</p>  <p>Ø 3.5 x 14 mm</p>	<p>H x 2</p> 	<p>J x 2</p>  <p>Ø 3.5 x 14 mm</p>	<p>L x 1</p> 	
---	--	---	---	---

Secure part L to wood strip 22 using screw J.
Secure hinge H to board 1 using screw D.

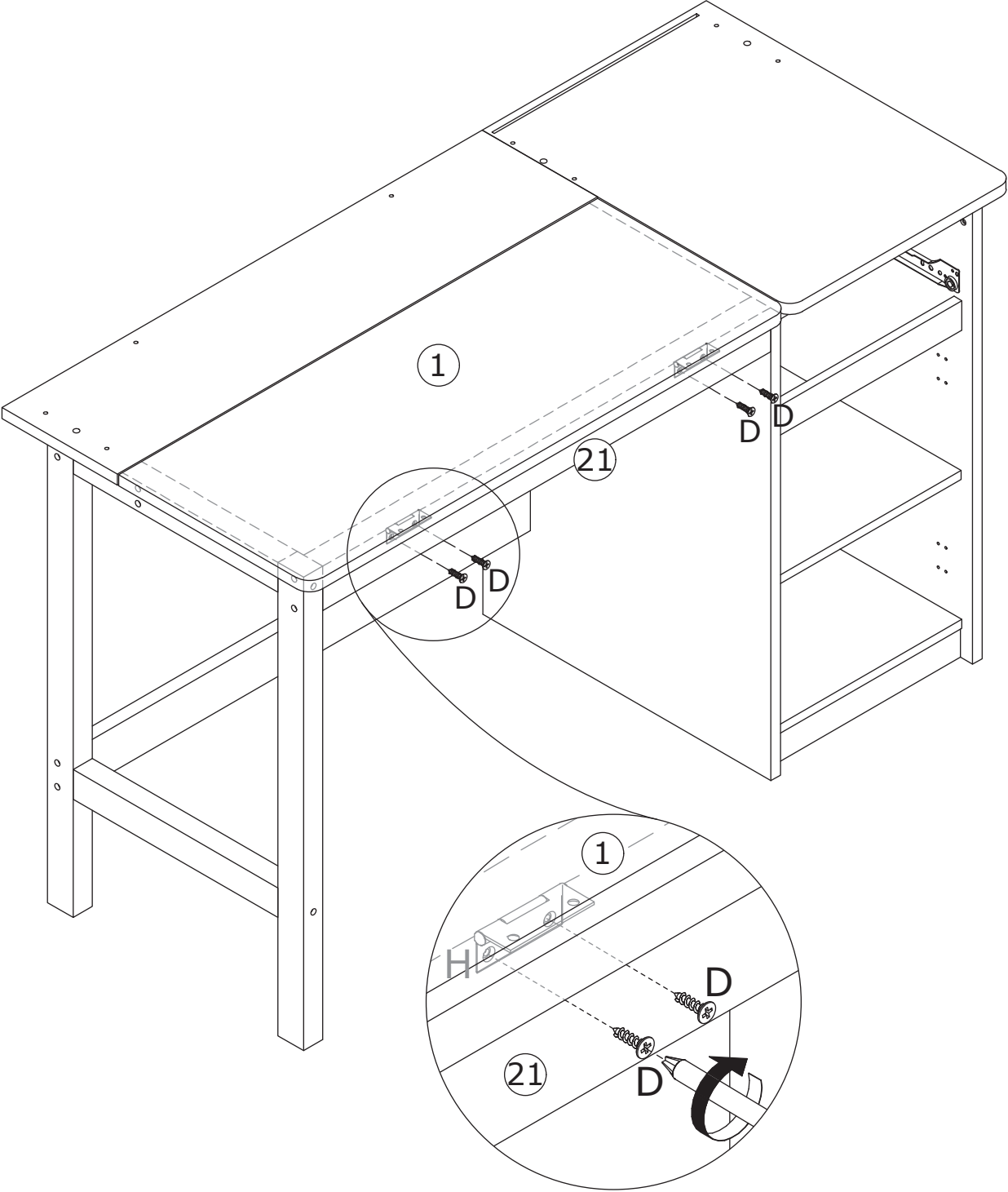


14

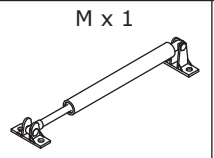
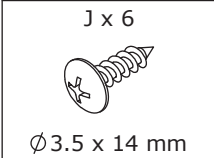
D x 4
Ø 3.5 x 14 mm



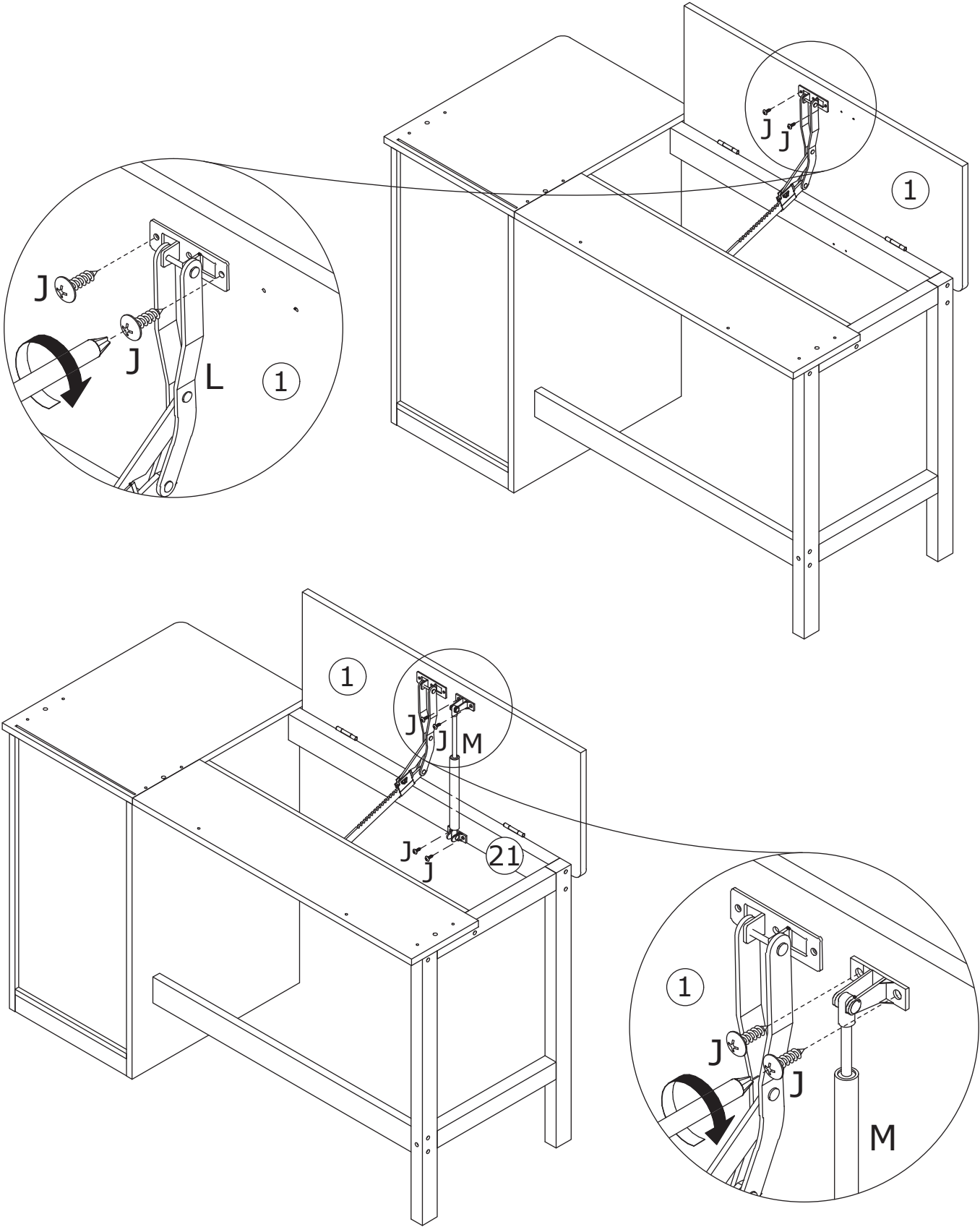
Secure hinge H to wood strip 21 using screw D.



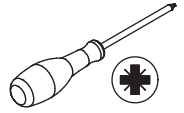
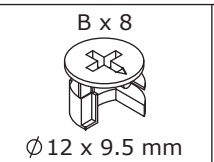
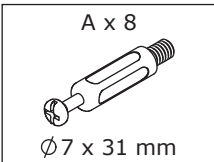
15



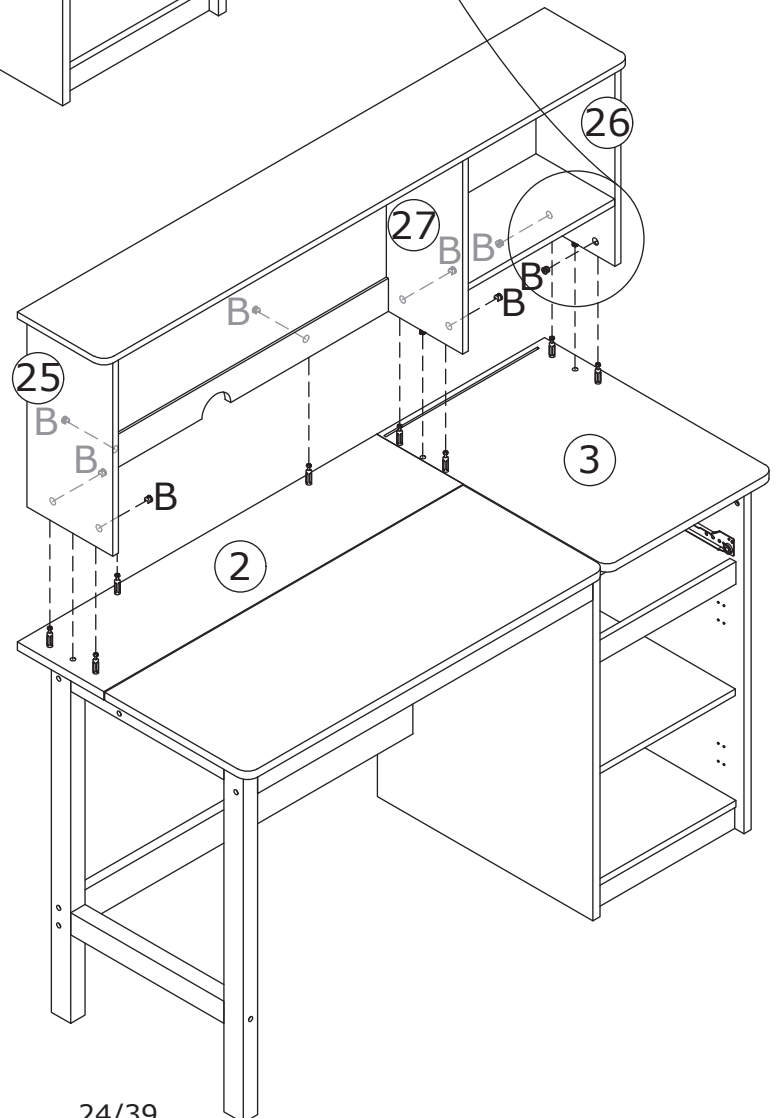
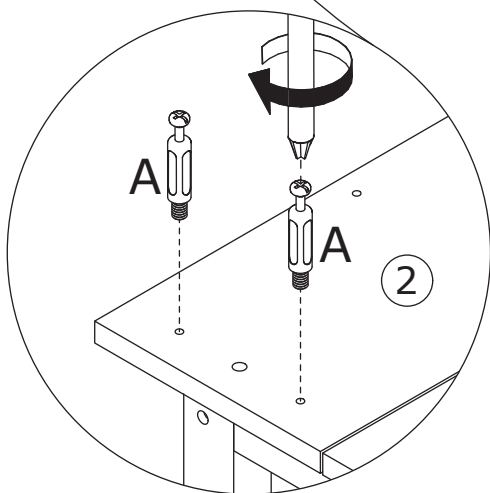
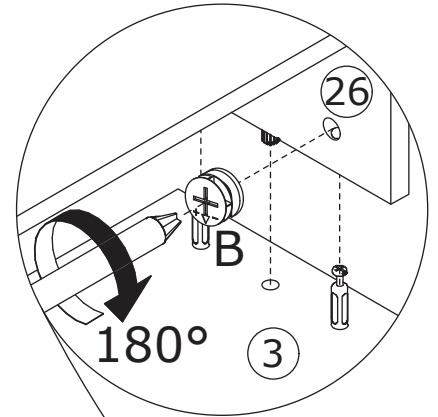
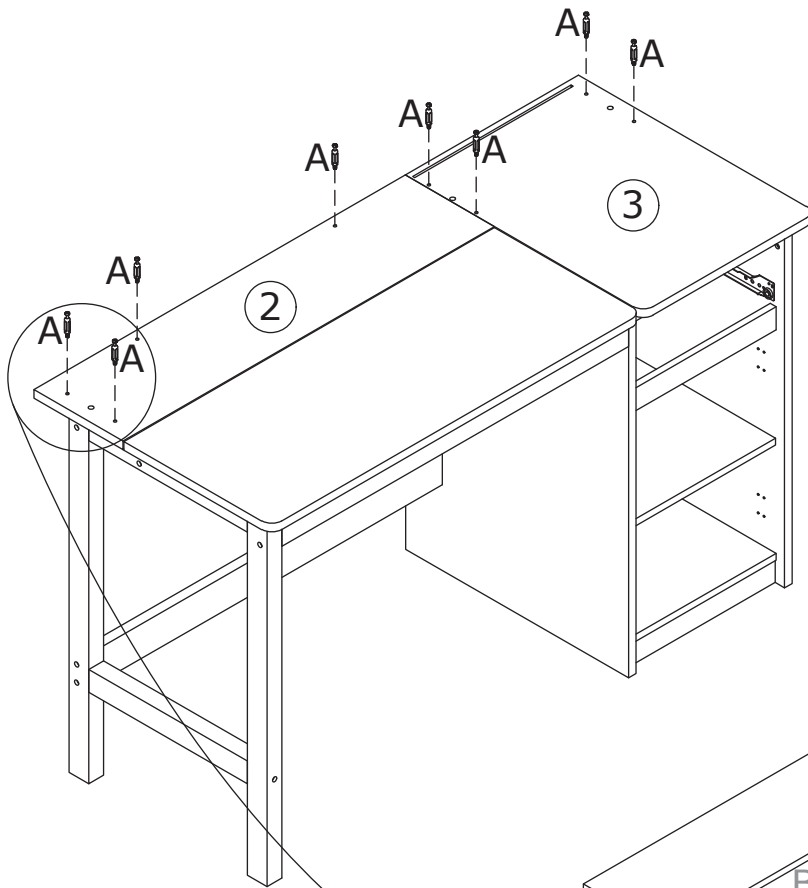
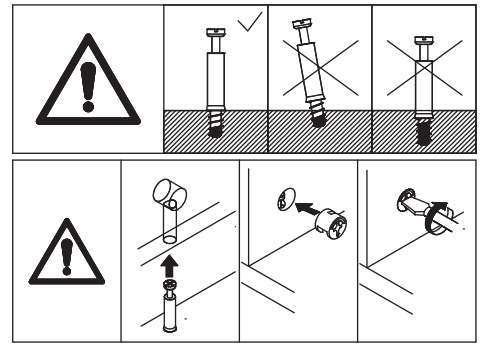
Secure part L to board 1 using screw J.
Secure gas spring M to board 1 and wood strip 21 using screw J.



16



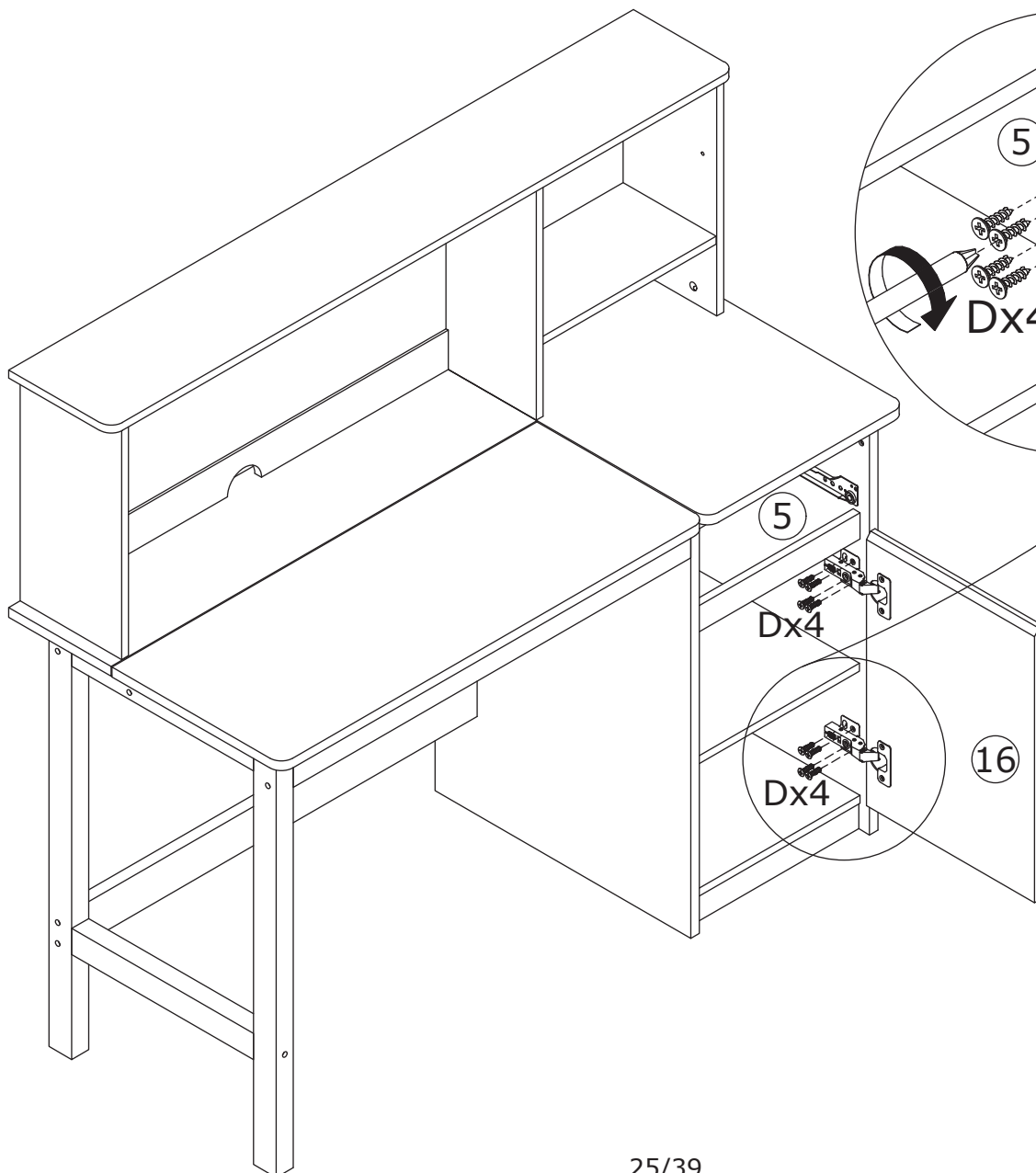
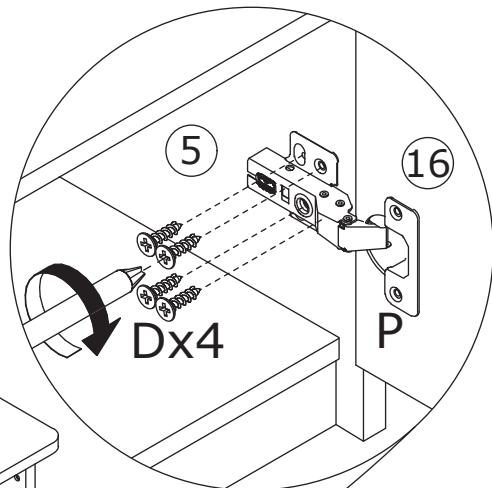
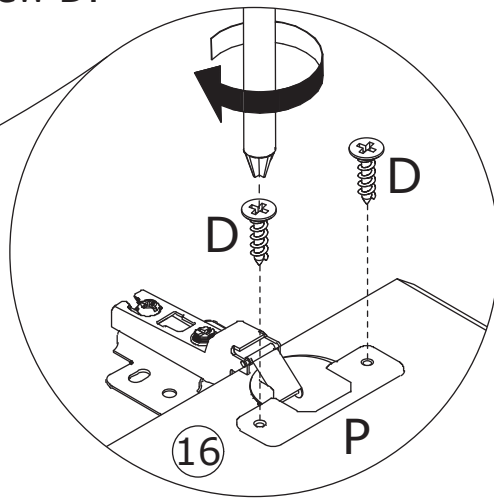
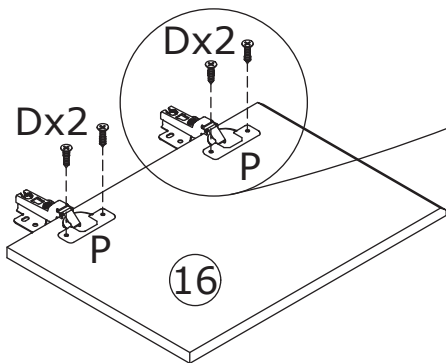
Screw eccentric rod A onto boards 2 and 3.
Connect boards 2, 3, 25, 26, 27, and 29,
turn cam lock B clockwise to tighten.



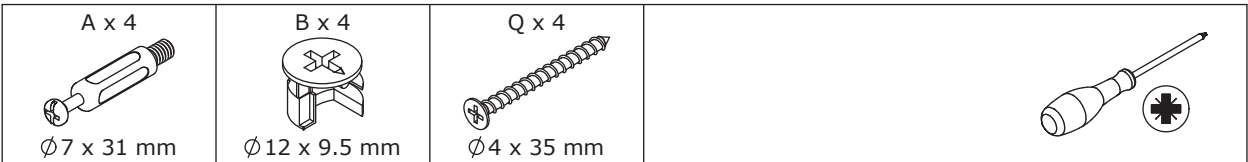
17



Secure hinge P to board 16 using screw D.
Then secure hinge P to board 5 using screw D.

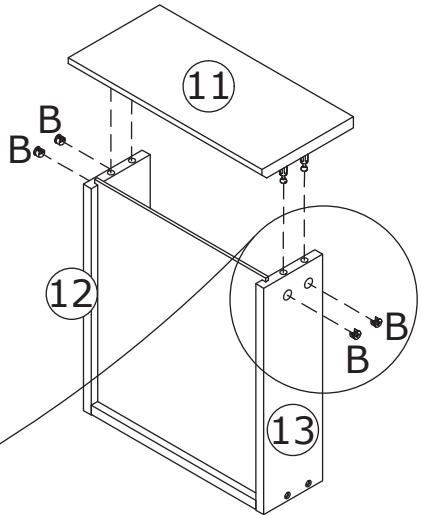
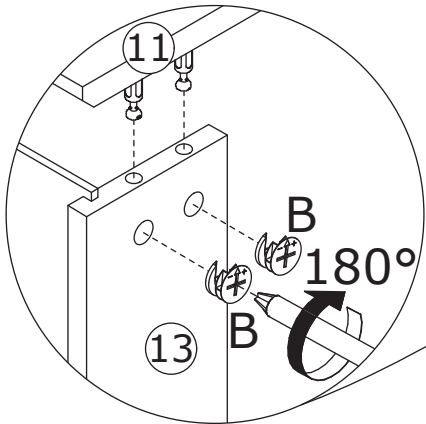
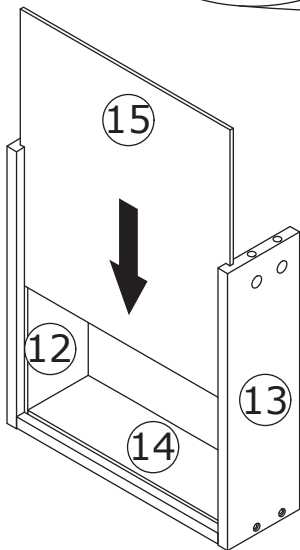
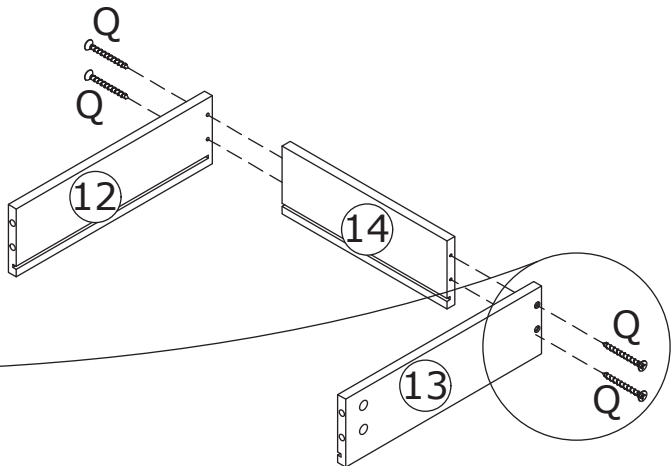
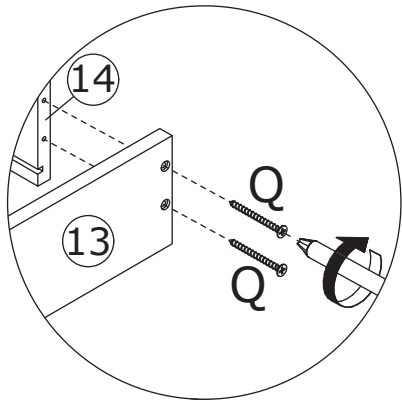
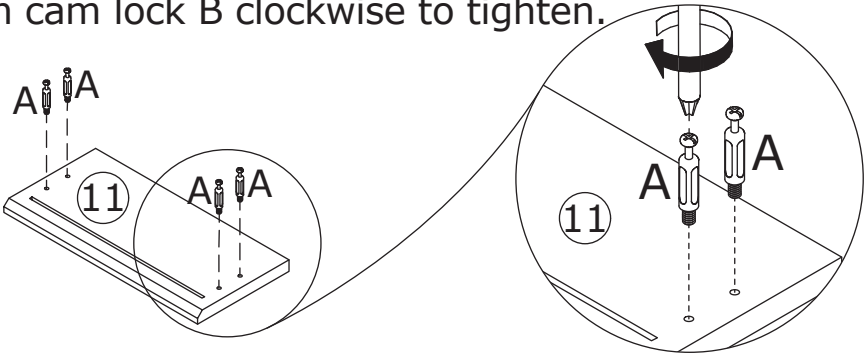
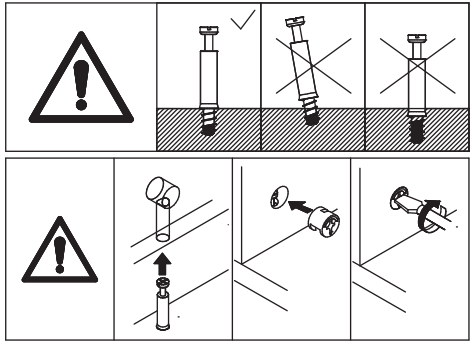


18

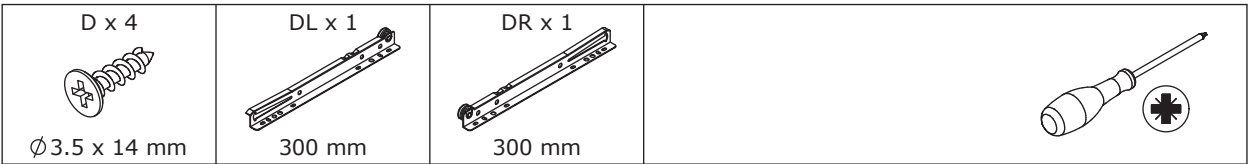


Screw eccentric rod A onto board 11.
Secure boards 12 and 13 to board 14 using screw Q.

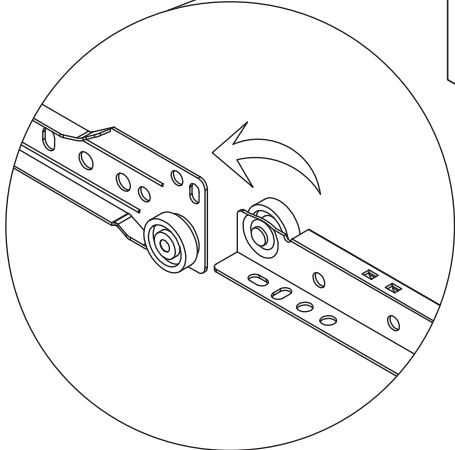
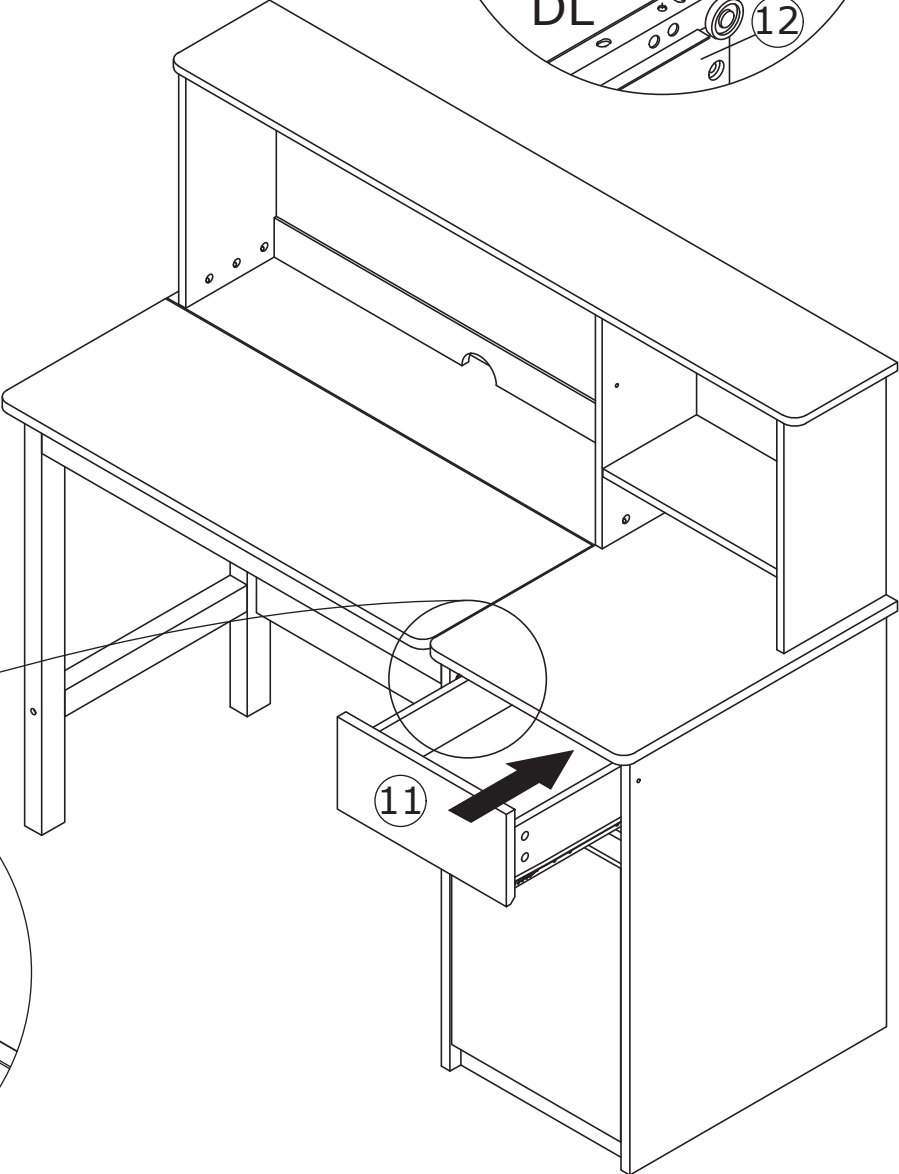
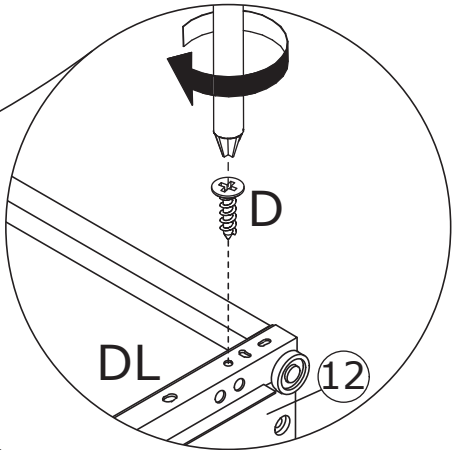
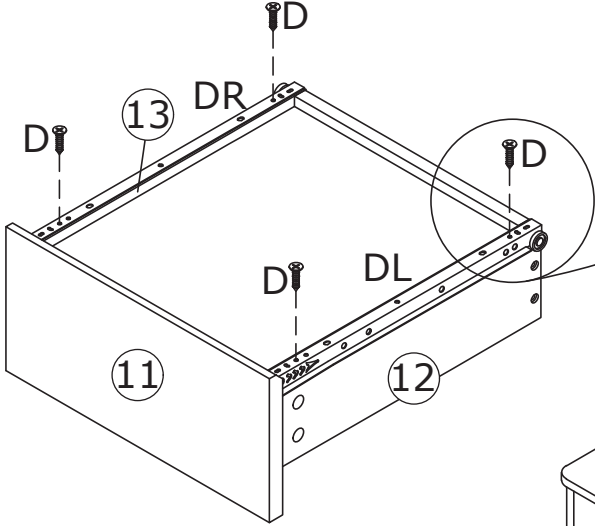
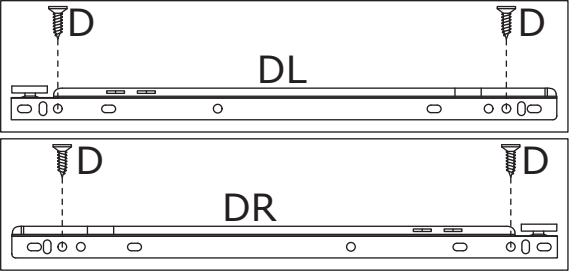
Then insert board 15 along the slots.
Finally, connect board 11 to boards 12 and 13, turn cam lock B clockwise to tighten.



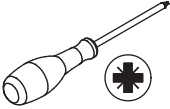
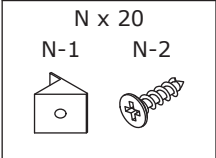
19



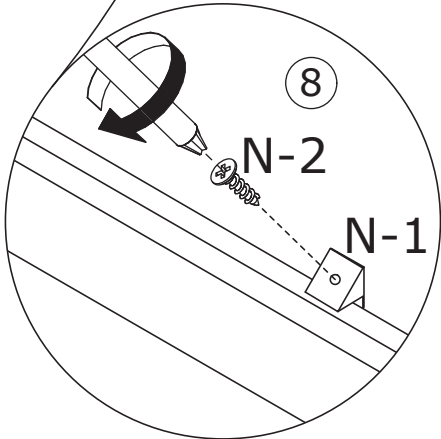
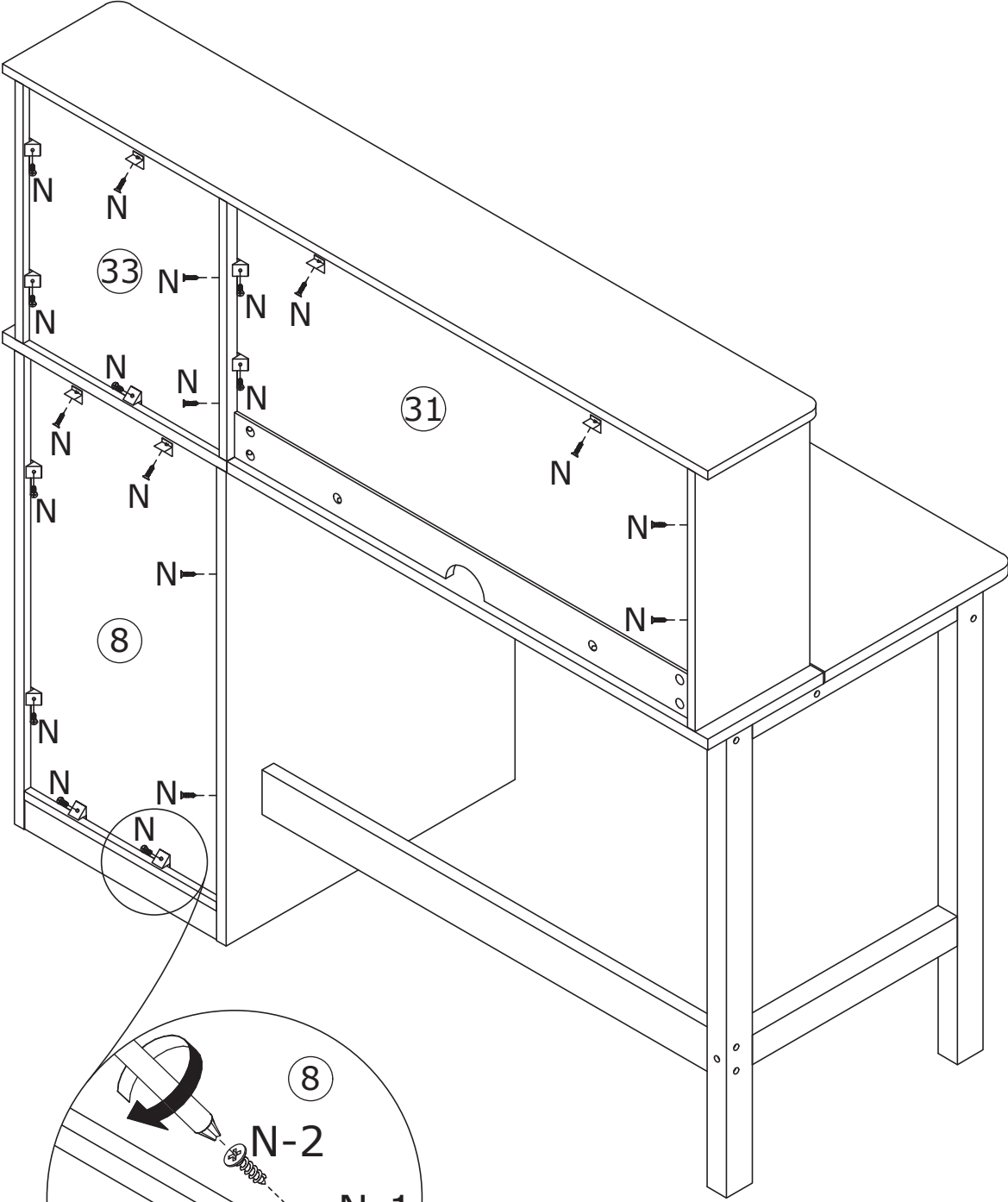
Secure rail D-DL and D-DR to boards 12 and 13 using screw D.
Then insert the drawer into the desk.



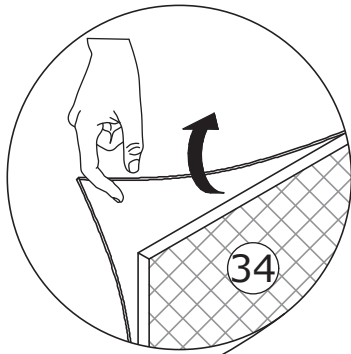
20



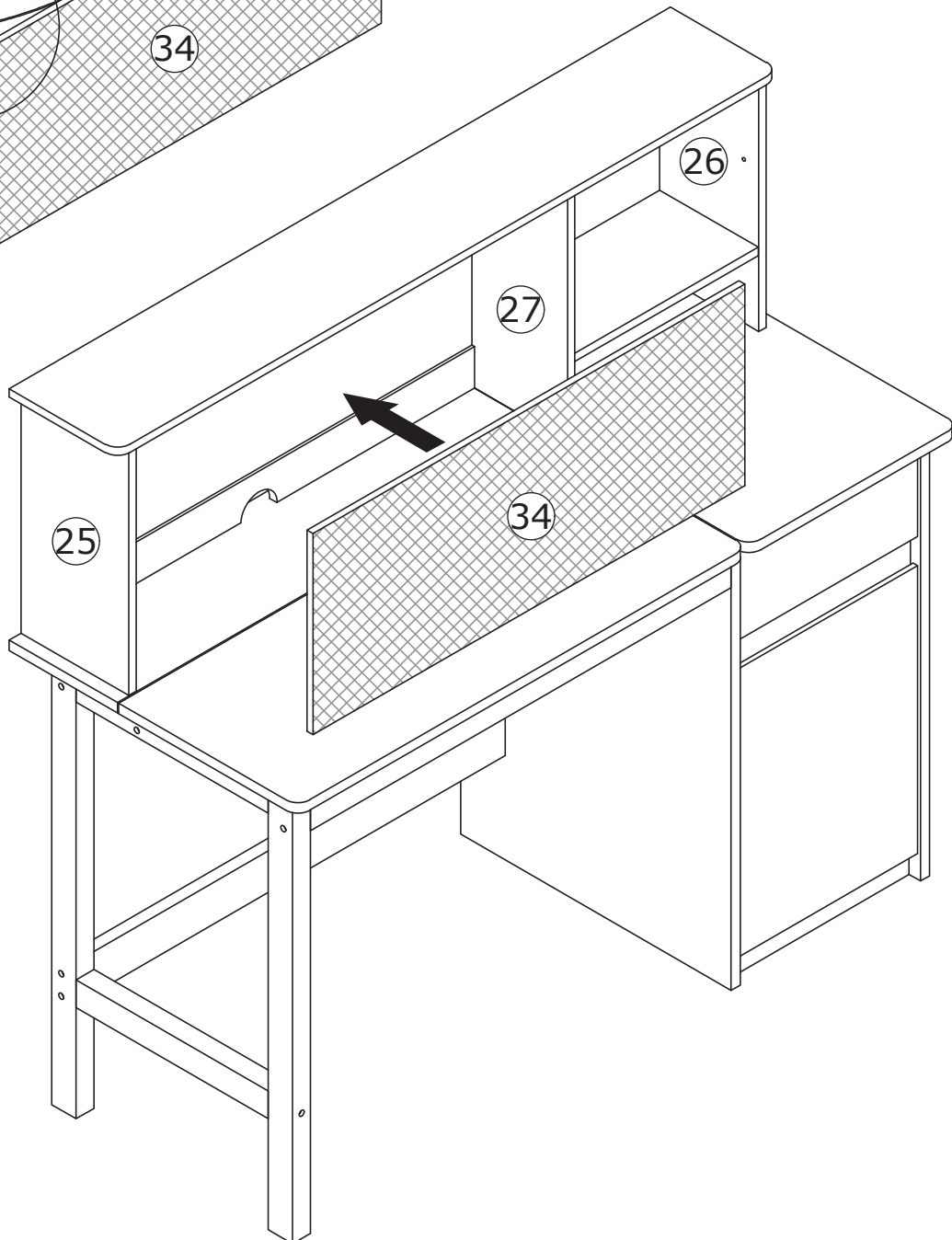
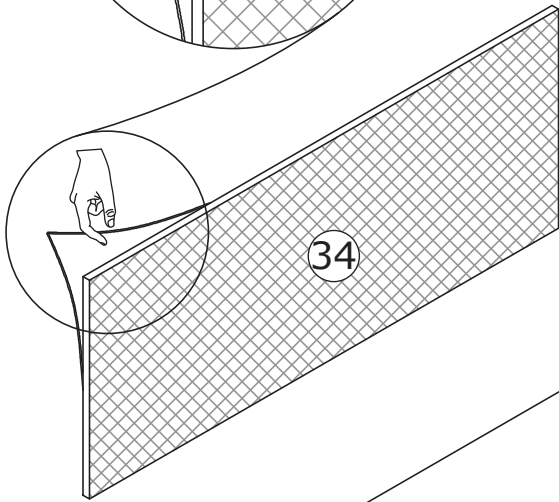
Insert clips N into back slots and secure using screws.



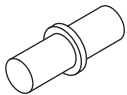

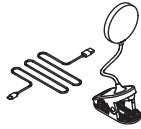
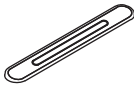
21



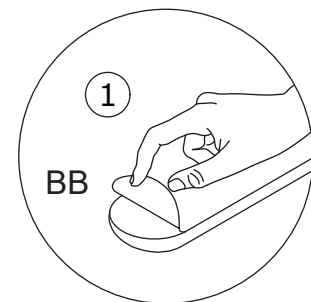
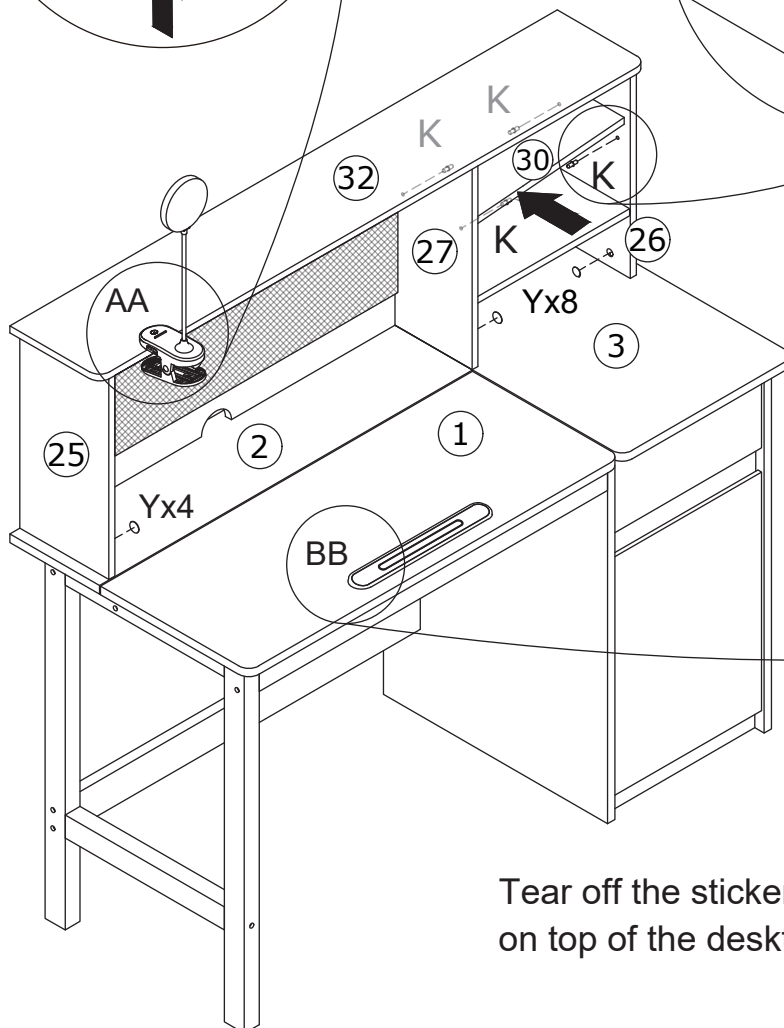
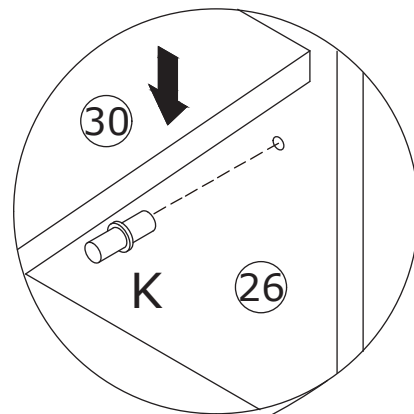
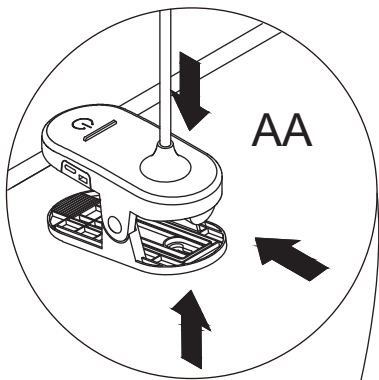
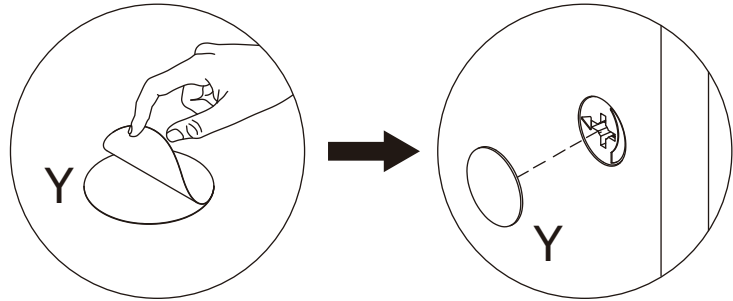
Peel off the backing paper from felt panel 34 and adhere it to board 31.



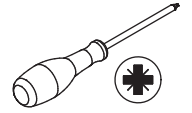
22

K x 4 	Y x 12 	AA x 1 	BB x 1 	
--	---	---	--	--

Insert layer pin K into boards 26 and 27. Then place board 30 onto. If required, cover exposed screw holes with hole covers Y.

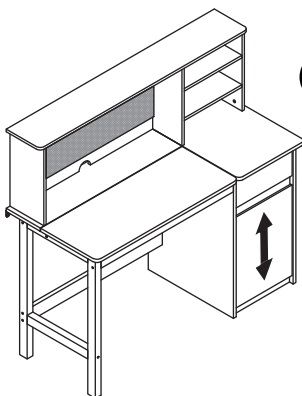
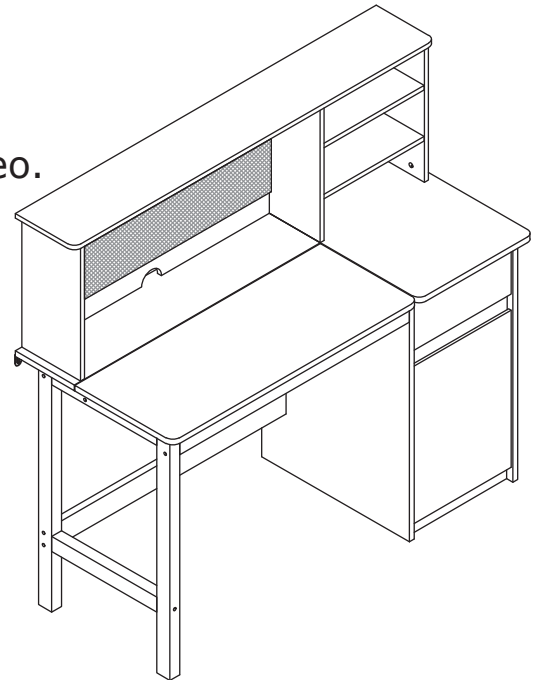


Tear off the sticker behind BB and stick it on top of the desktop board ①.

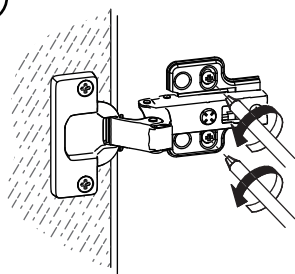


If doors are still not aligned if the hinges are properly installed, please watch the video.

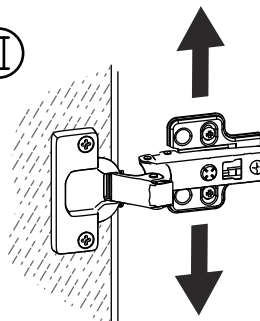
<https://youtu.be/n0Lb36SoODM>



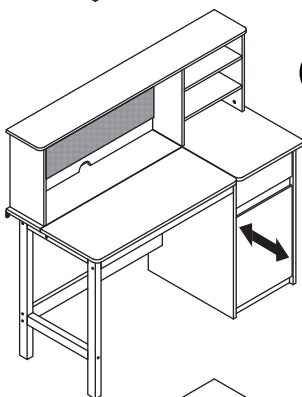
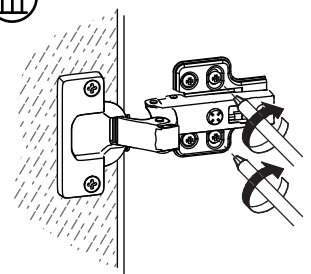
I



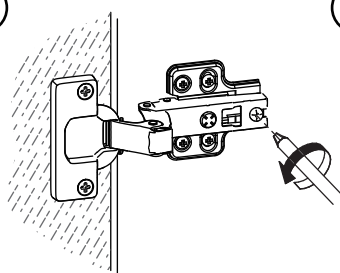
II



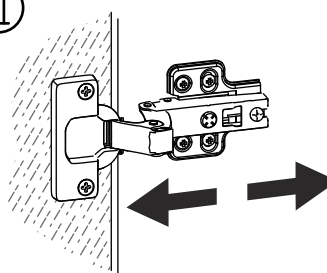
III



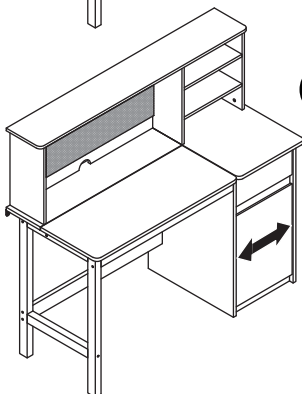
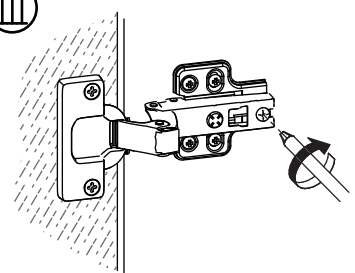
I



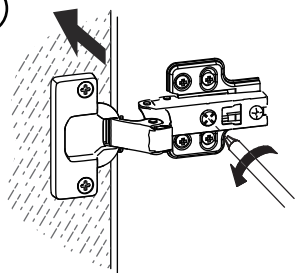
II



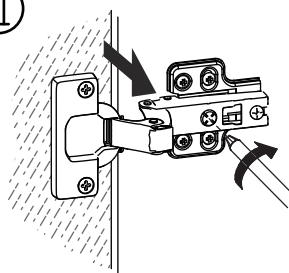
III



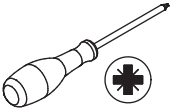
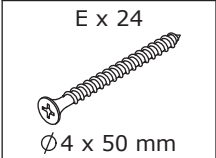
I



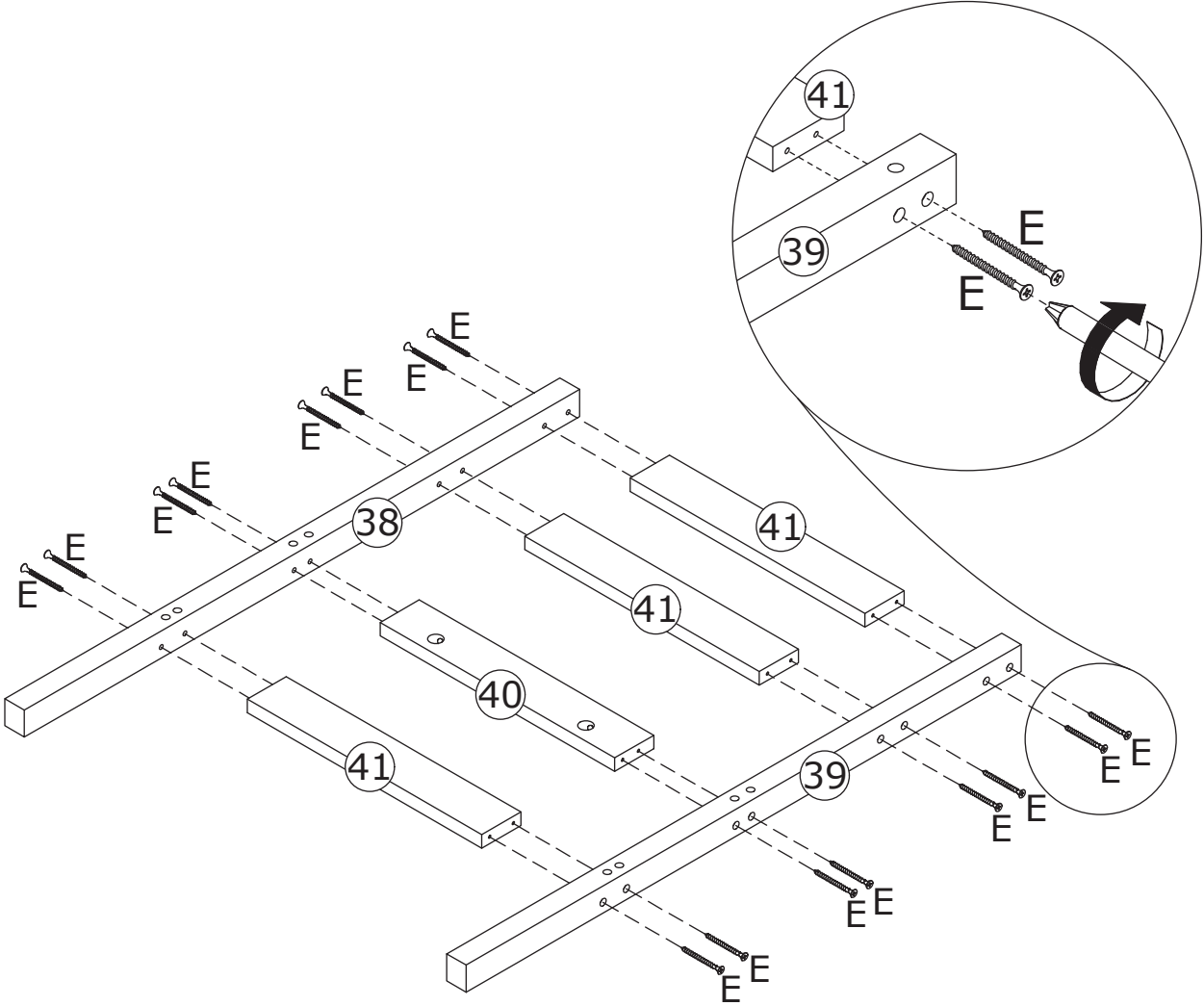
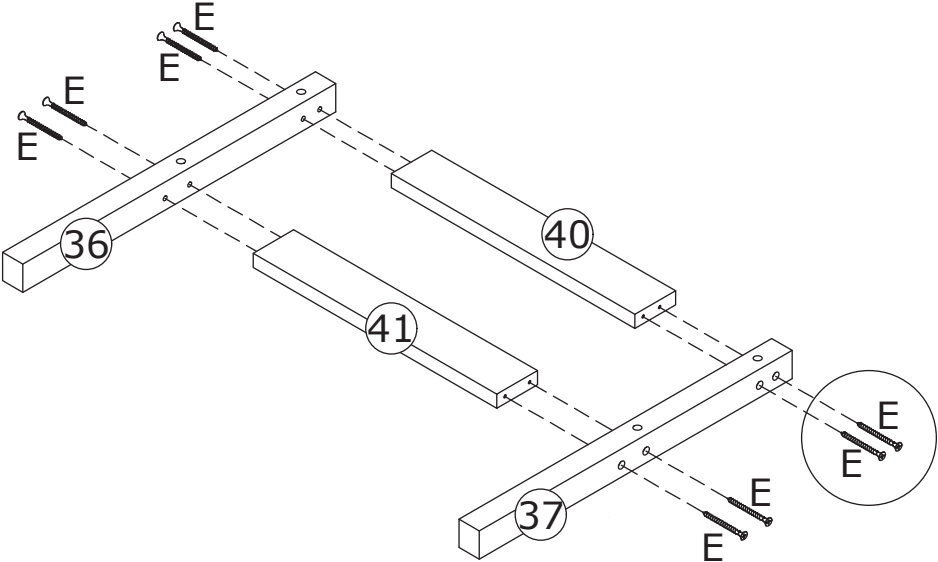
II



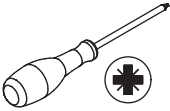
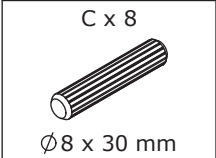
24



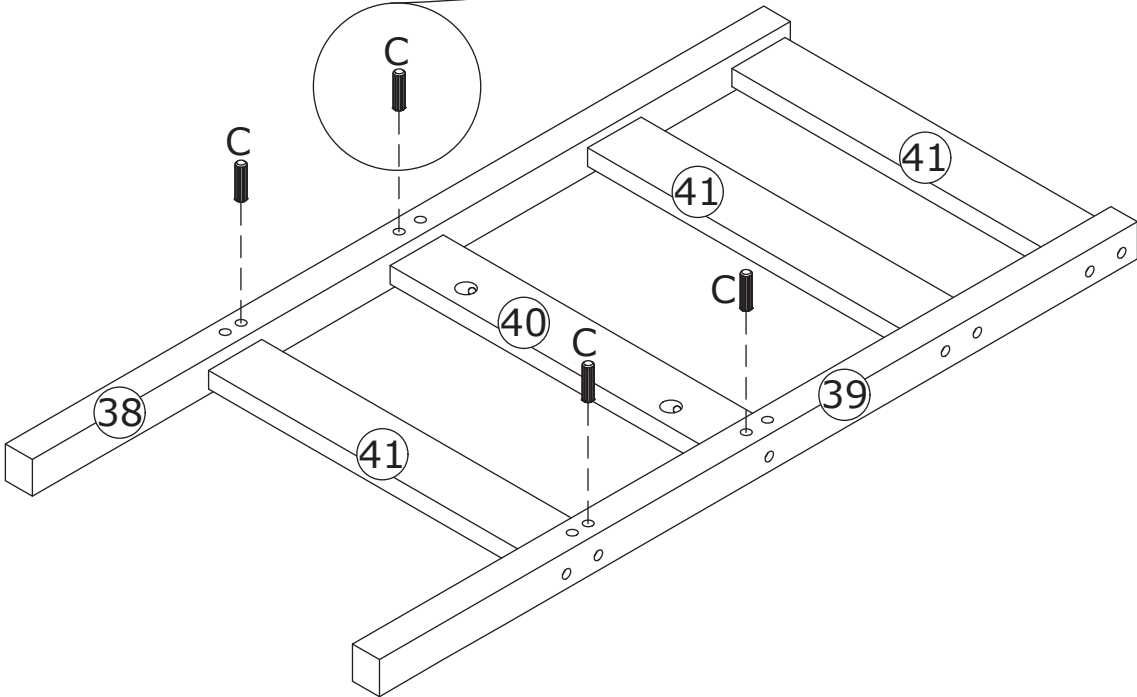
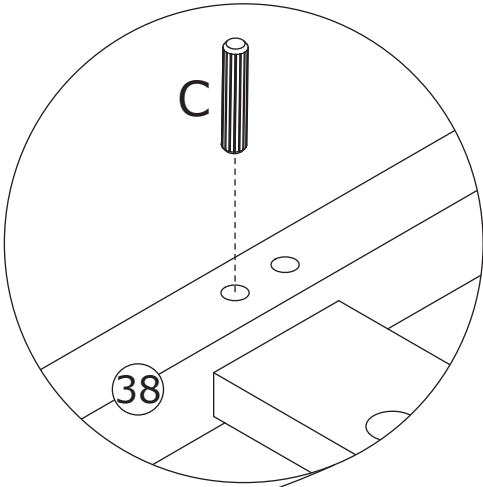
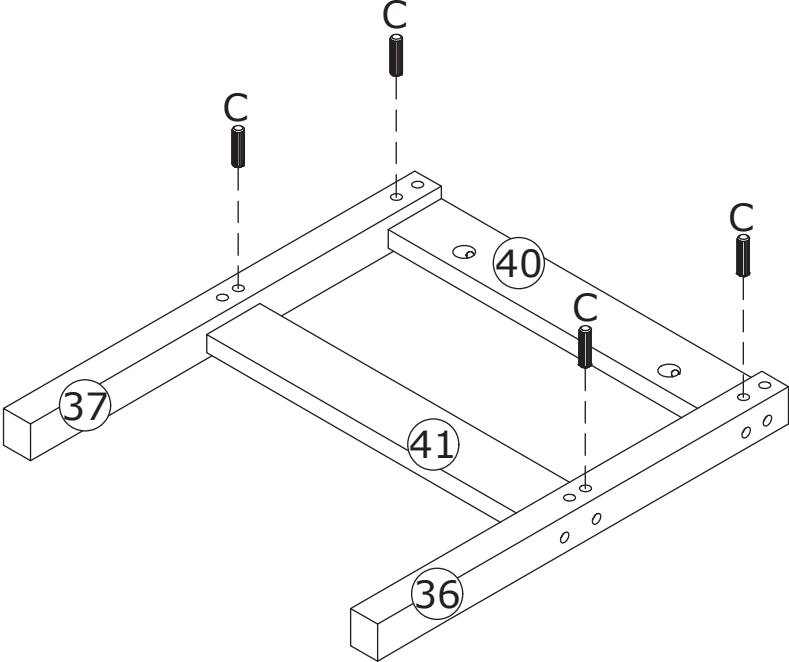
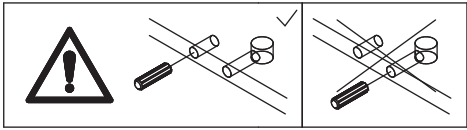
Secure wood strips 36, 37 and boards 40, 41 together using screw E.
Secure wood strips 38, 39 and boards 40, 41 together using screw E.



25

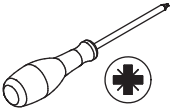


Insert dowel C into wood strips 36, 37, 38, and 39.

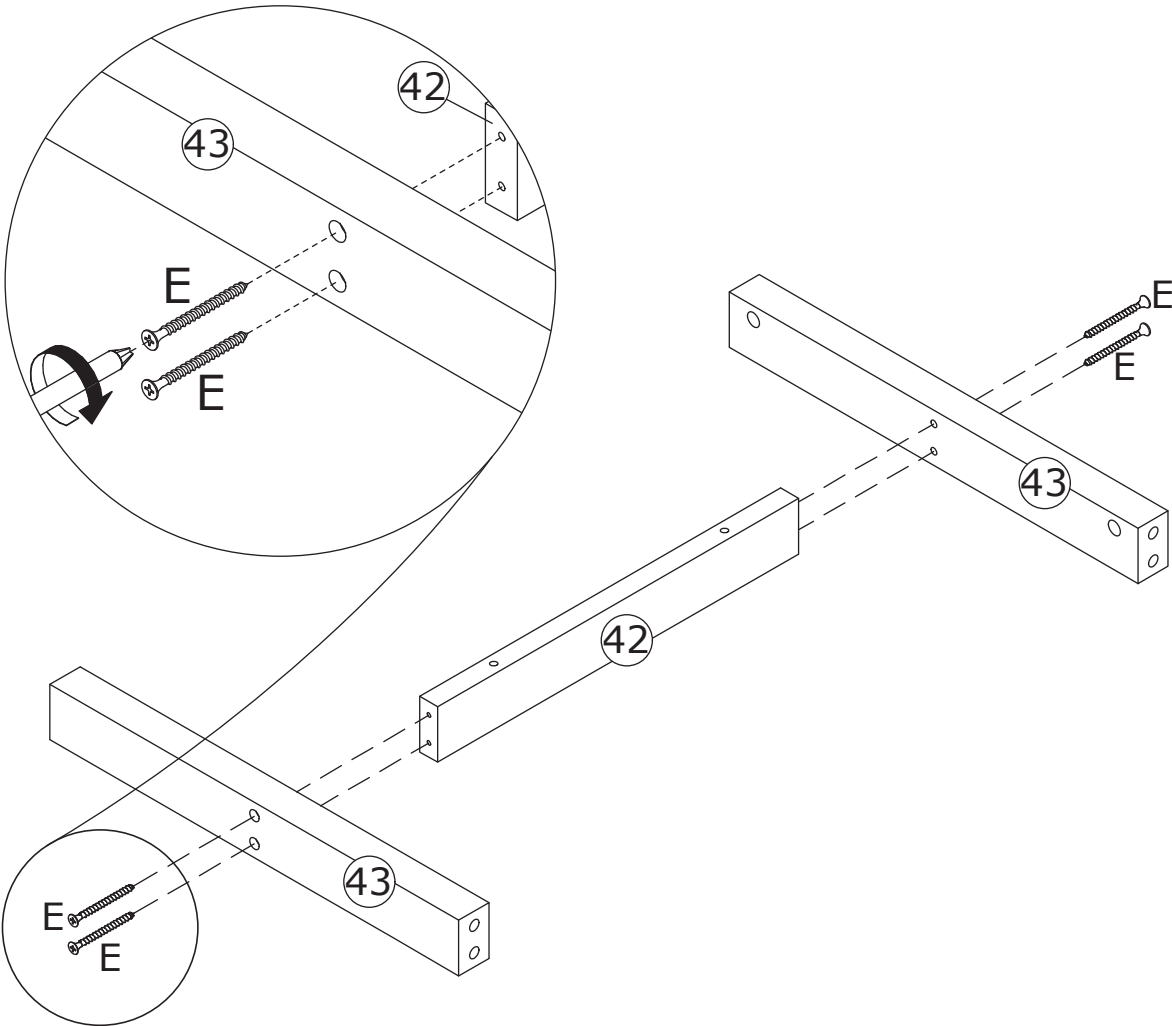


26

E x 4
Ø4 x 50 mm



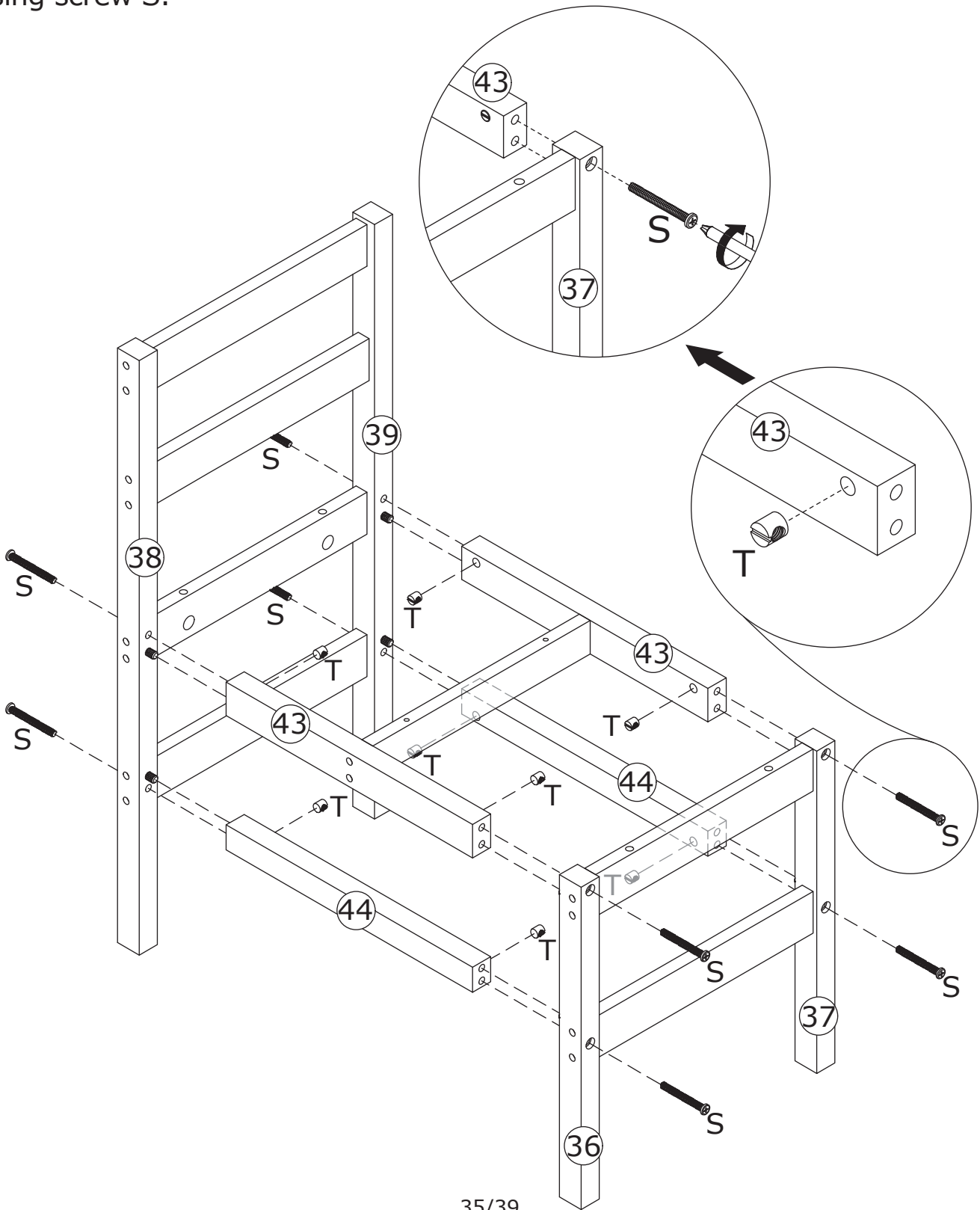
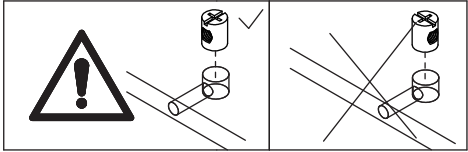
Secure wood strips 42 and 43 together using screw E.



27

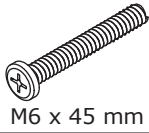


Place nut T into the holes of wood strips 43 and 44 (ensure the holes of nut T align with the holes at both ends of the wood strips). Then secure wood strips 36, 37, 38, and 39 to wood strips 43 and 44 using screw S.



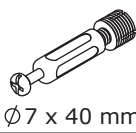
28

R x 2



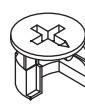
M6 x 45 mm

U x 4

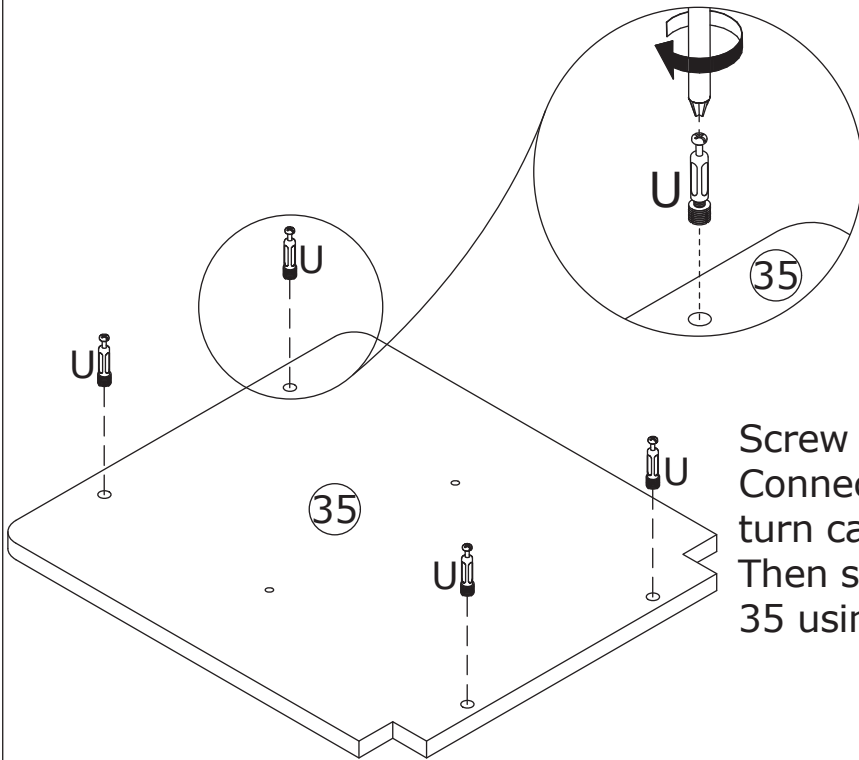
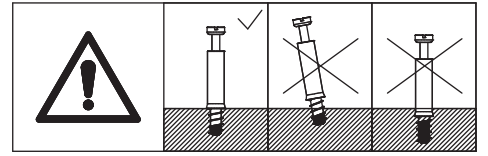
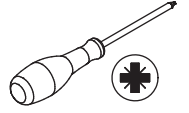


Ø7 x 40 mm

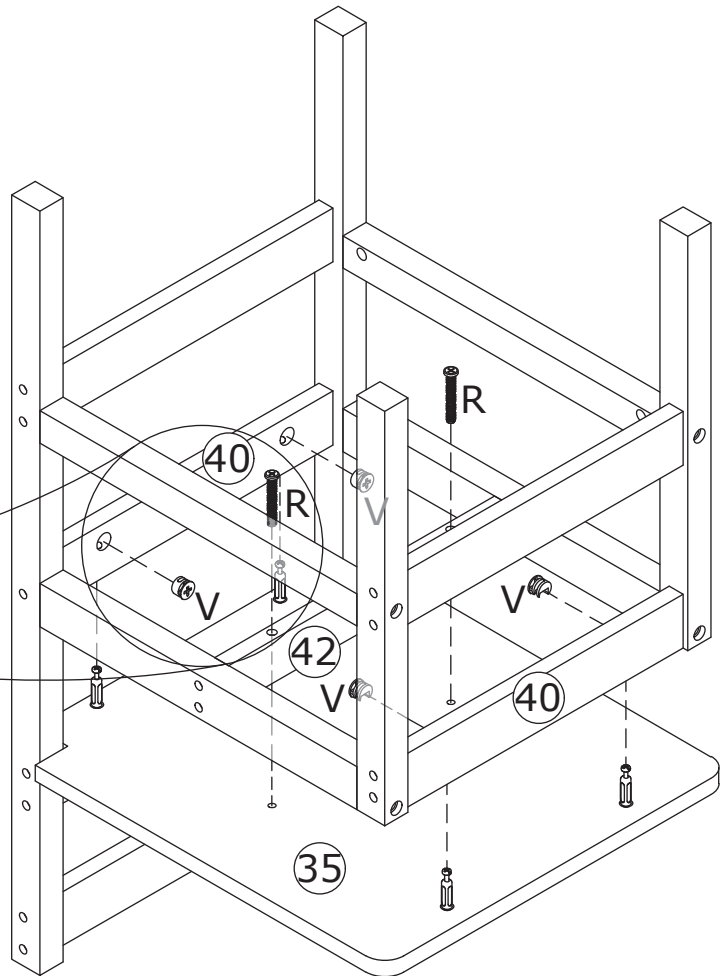
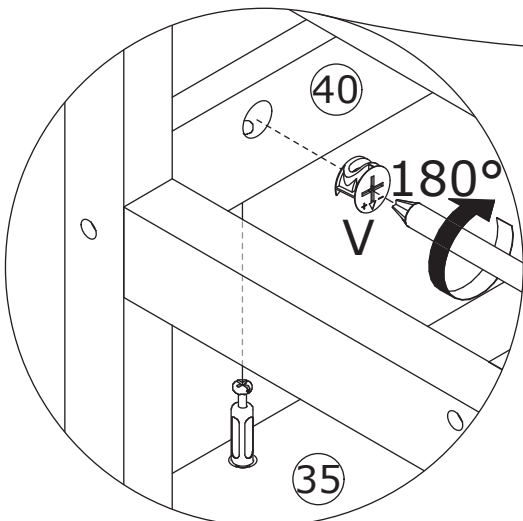
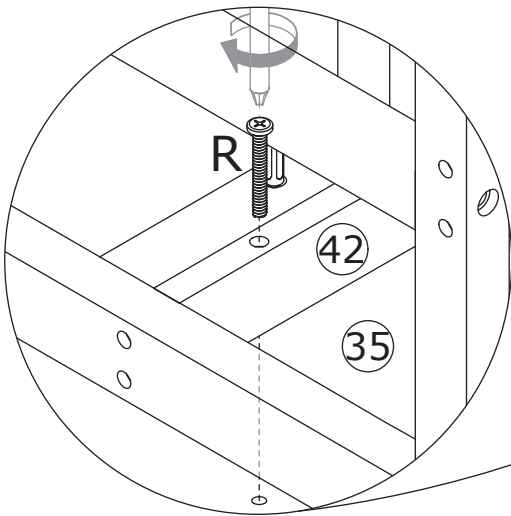
V x 4



Ø15 x 11.5 mm



Screw eccentric rod U onto board 35. Connect wood strip 40 and board 35, turn cam lock B clockwise to tighten. Then secure wood strip 42 and board 35 using screw R.



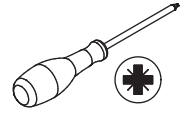
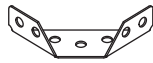
29

D x 14

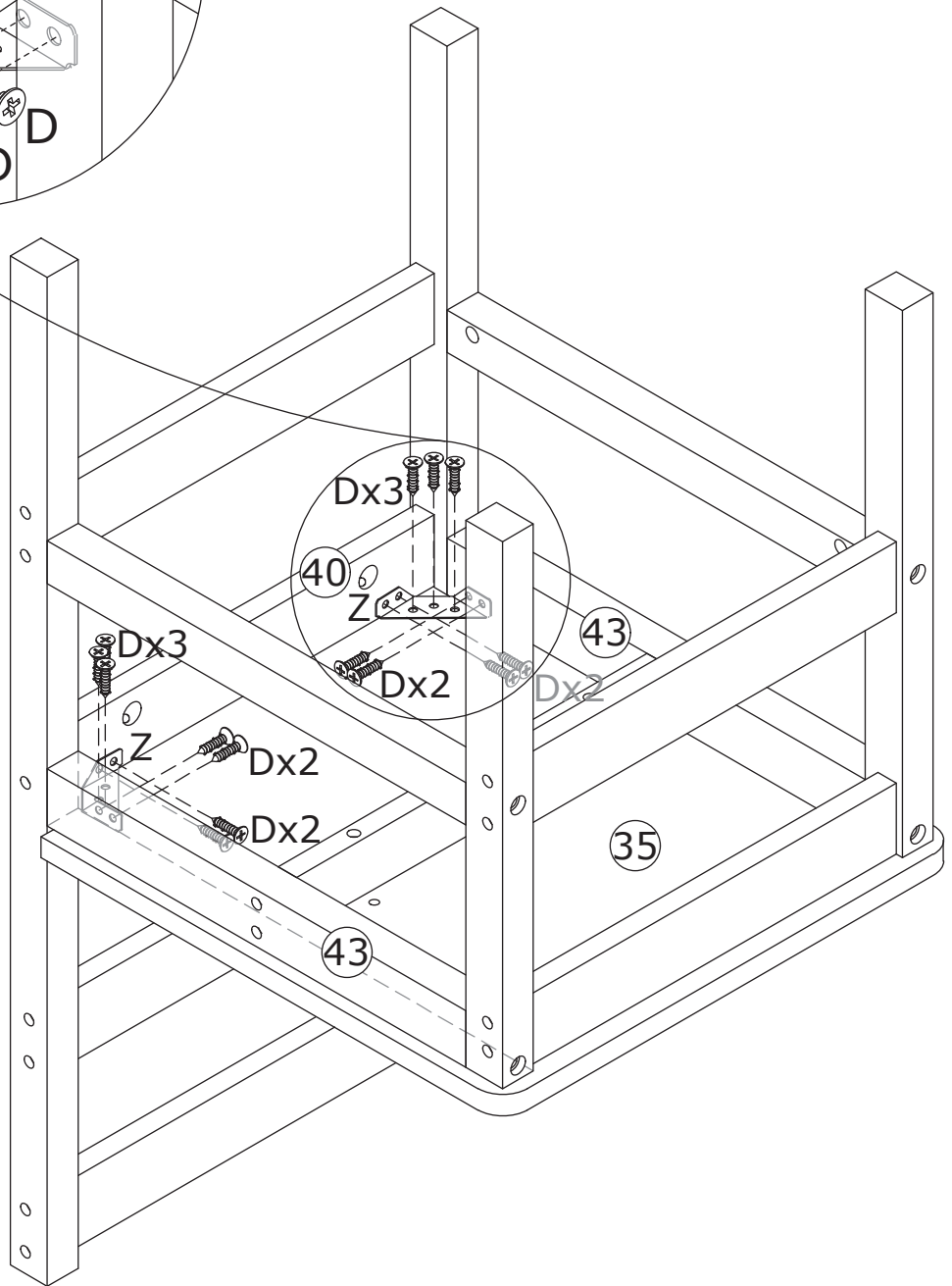
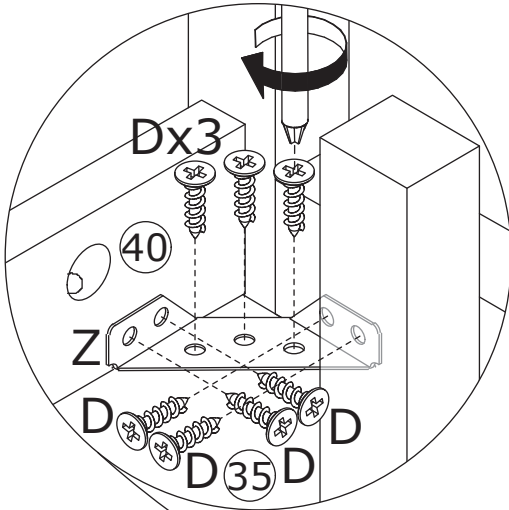


Ø 3.5 x 14 mm

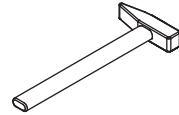
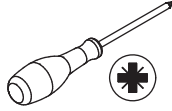
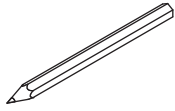
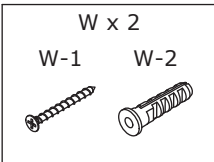
Z x 2



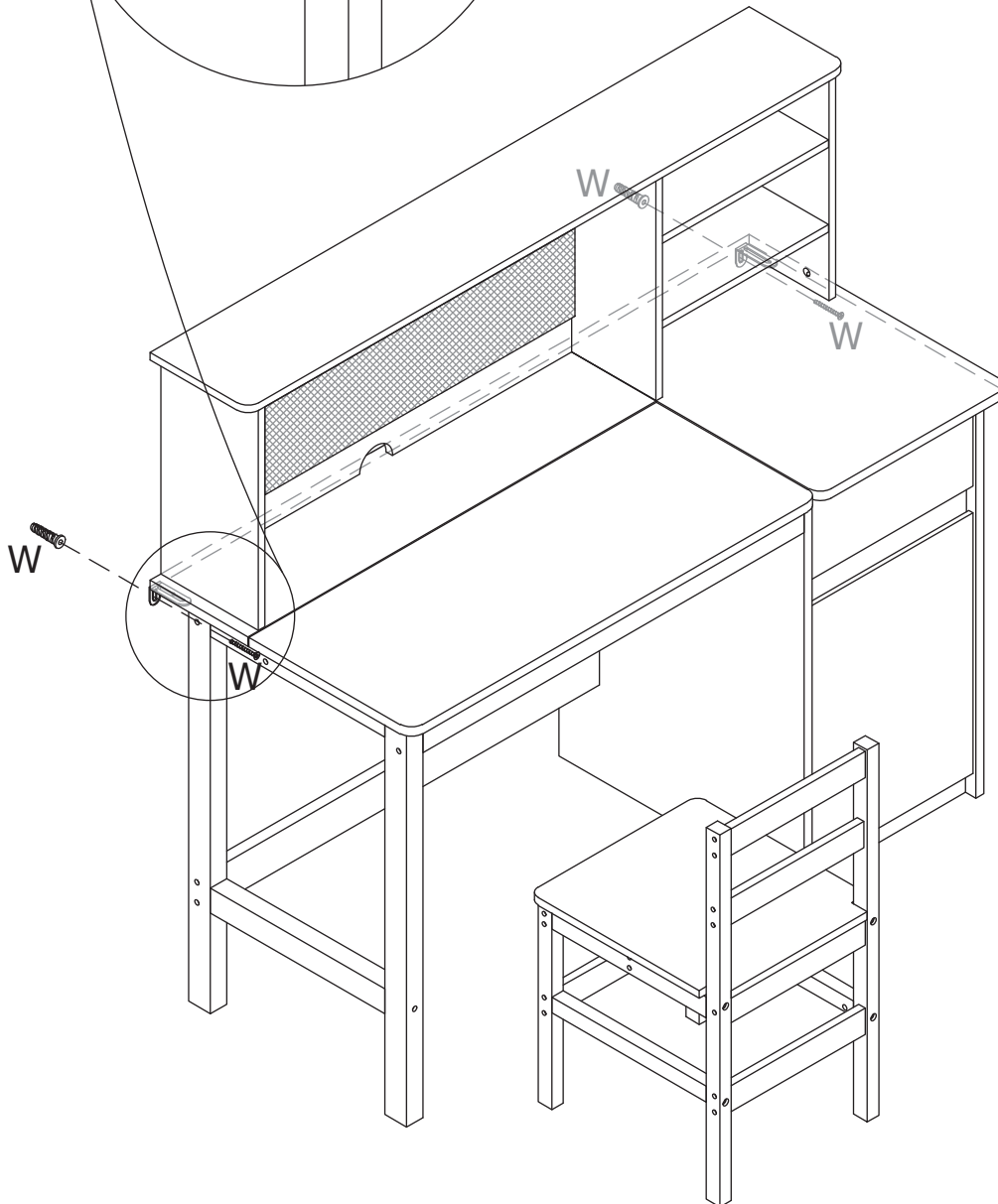
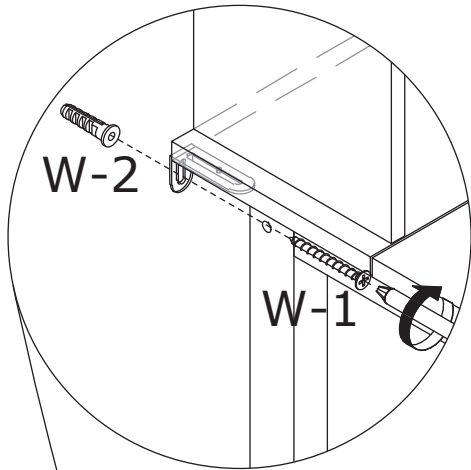
Secure angle bracket Z to wood strips 38, 39, 40, 43, and board 35 using screw D.



30



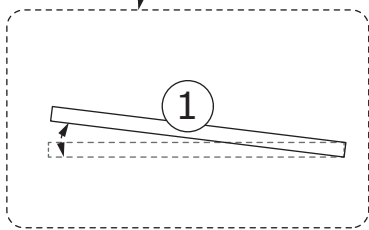
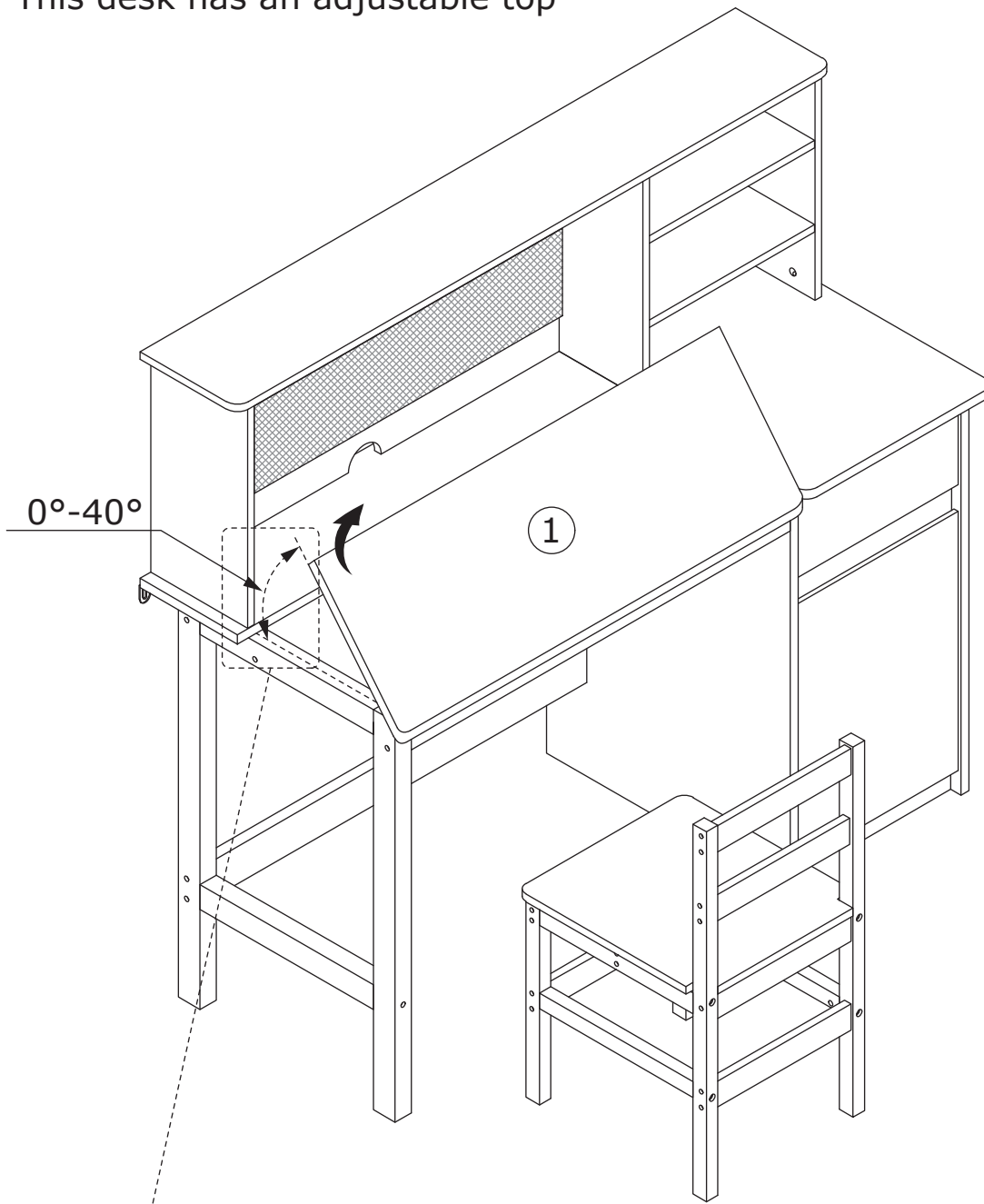
If required, install anti-tip device W as shown.



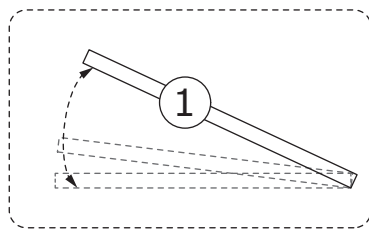
- 1.
- 2.
- 3.
- 4.

31

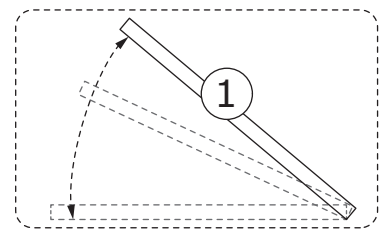
This desk has an adjustable top



0°-7° Writing



0°-25° Reading



0°-40° Drawing

WARRANTY

WARRANTY CLAIMS

- There is a 30-day warranty for broken furniture or any other problems that do not work properly. The warranty will start from the date of purchase which must be verified by proof of purchase.
- Before making a claim, we may be able to answer your query, simply call us. Please leave your purchase order number, along with some details of the problem, if you want a replacement part. We will arrange within 48 hours. If there is out of stock, we will reply with a shipping date.
- The product must be used in accordance with the instructions provided. For health reasons.
- For other reasons, if the furniture needs to be returned, it must be cleaned and dried and operated within 30 days of receipt.

Type of Warranty Claim

- Failure to follow the furniture instructions will invalidate the warranty. Attention please.
- Does not include damage during installation, but includes damage during transportation.

Scope of responsibility

- Shall not bear any responsibility for misuse or user damage and / or loss of parts during the installation of furniture.
- After using, the damage and scratches of the furniture are not covered by the warranty.

The Warranty Relates to All Bought in The Us and Covers The Following Areas

- Sheet parts: 1 month from the date of purchase.
- Electrical parts: 1 month from the date of purchase.

RETURNS

CHANGED YOUR MIND AND NEED TO RETURN YOU ITEM?

PLEASE FOLLOW THE BELOW INSTRUCTIONS:

- If you have purchased and have simply changed your mind, follow the retailer's instructions for returns.

DEFECTIVE ITEMS

- If your item is defective in any way, i.e. it doesn't work but you can't identify why, in the first instance, please call us.

DAMAGED ITEMS

- If you receive an order with obvious shipping damage from the retailer, then we suggest the delivery is refused. If the delivery has been accepted and then shipping damage is found, please follow the specific instructions advised by the retailer.
In all circumstances please save all packaging material and paperwork for the order. Please be aware that if you dispose of packaging material or attempt to return the merchandise without contacting the fulfiller, you jeopardise your chances of making a claim, and you may not receive a credit for the return.

AFTER-SALES CONTACT



adelahu@fufugaga.com



208-820-0068