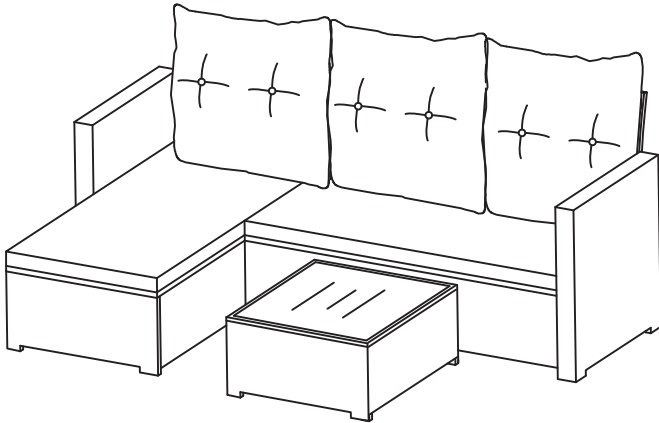


# Wicker Sofa Set





**IMPORTANT, RETAIN FOR  
FUTURE REFERENCE:  
READ CAREFULLY.**

## **Safety**

- For domestic use only.
- Always use on firm level ground.
- Don't tighten all the bolts before the product is fully assembled.
- It would be useful to ask someone to help you assemble the product.
- Periodic structural checks of this product should be undertaken, do not use if you have any doubts about its fitness for purpose.
- Do not stand on the seat and table.
- Do not sit on the armrest and table.
- Do not let children play with this product.
- Maximum load per seat: 250 lbs.

## **At the beginning of the season**

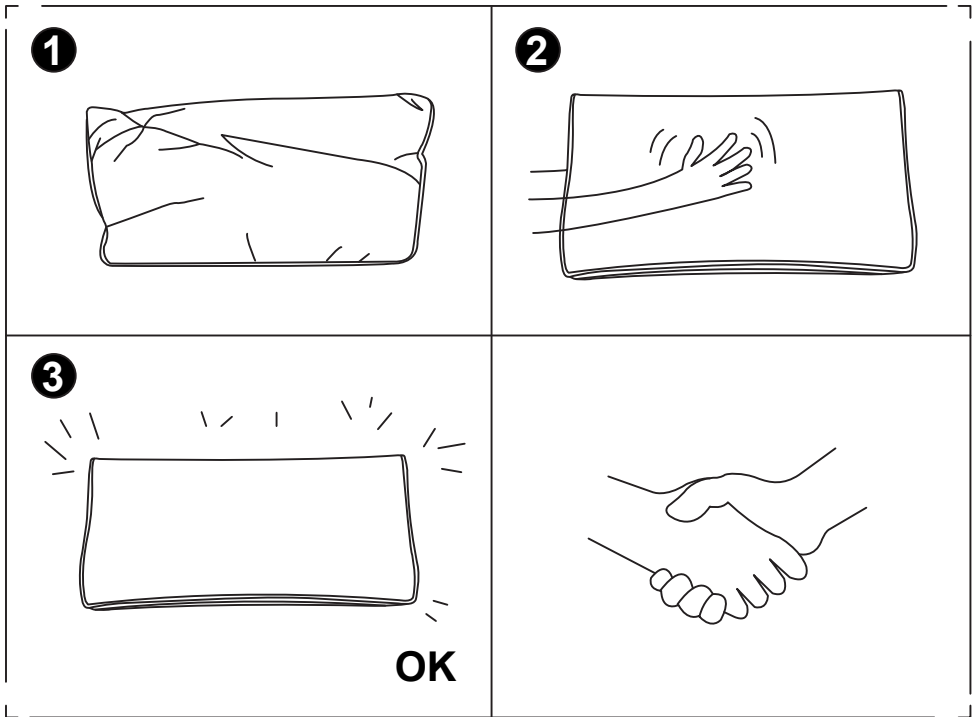
- Check to ensure that all components and fixings of this product are secure, do not use if you have any doubts about its fitness for purpose.

## **At the end of the season**

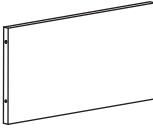
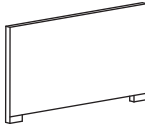
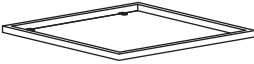




- This product should be stored under cover during prolonged spells of adverse weather (wet or cold) and also during the winter (ideally in a garden shed or garage).
- Always clean and dry thoroughly before storage.

# Tips for Cushions

In order to compress the package, we put the cushions in the gap of some parts. So there may be crinkle on the fabric. Don't worry. Just flap every corner of the cushion evenly and it will get back into its original shape soon.



## COMPONENT LIST - TABLE

Item no.	Reference Image	Description	Qty.
P		Table side Panel	2
O		Table side Panel	2
J		Table top frame	1
K		Table Glass	1
E		M6X35 Head Cap Screws	12
D		Washer	12
L		Allen Key	1

**NOTE:**

Do NOT tighten any screws fully first until you have tightened all the screws.

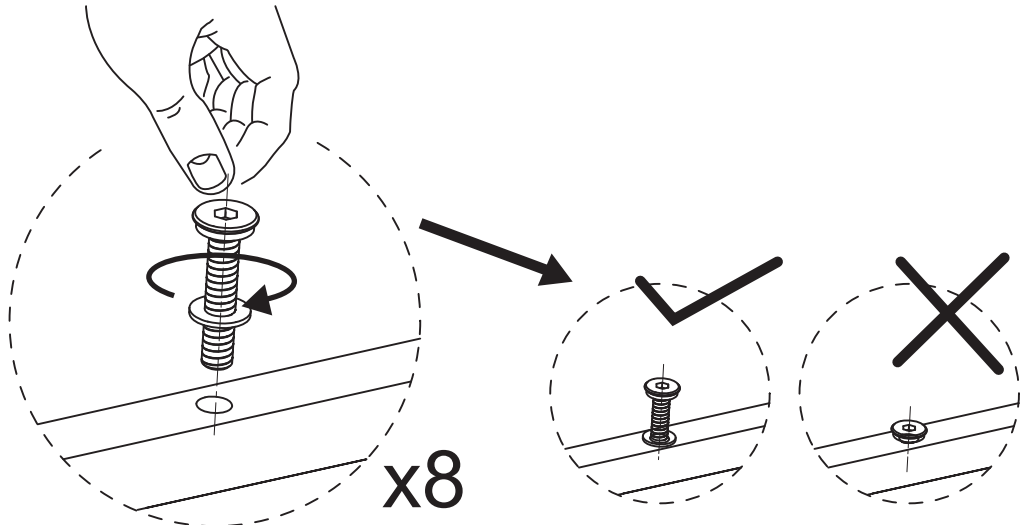
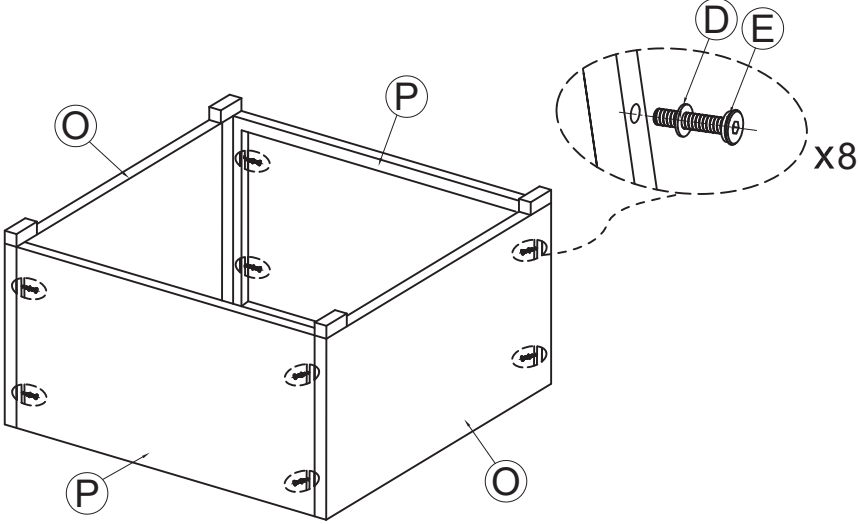
This may cause the frame to warp.

If there is still wobbles or screw holes cannot be aligned, loosen the screws and tighten sequentially.

If the Table is not stable it could lead to damage to the product.

1

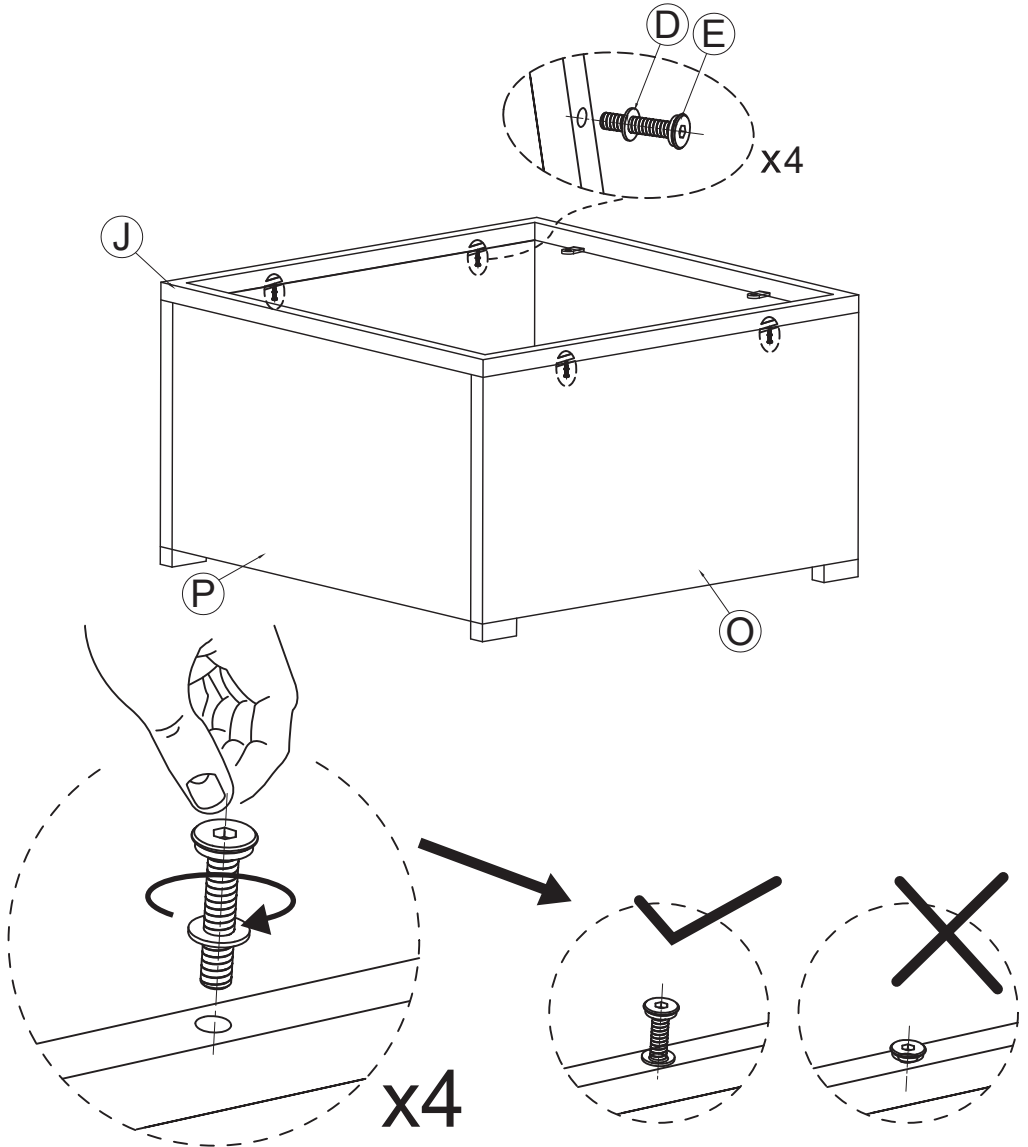
Attach the Table side Panel (P) to the Table side Panel (O) by securing with M6X35 Head Cap Screws (E) and Washers (D). Do this in 8 places.



**NOTE: DO NOT TIGHTEN THE SCREWS COMPLETELY.**

2

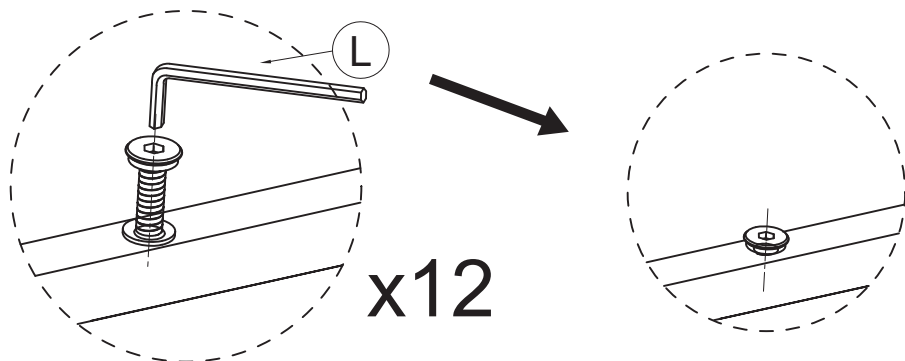
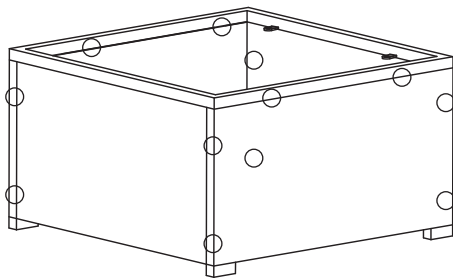
Attach the Table side Panel (O) to the Table Top frame (J) by securing with M6X35 Head Cap Screws (E) and Washers (D). Do this in 4 places.



**NOTE: DO NOT TIGHTEN THE SCREWS COMPLETELY.**

3

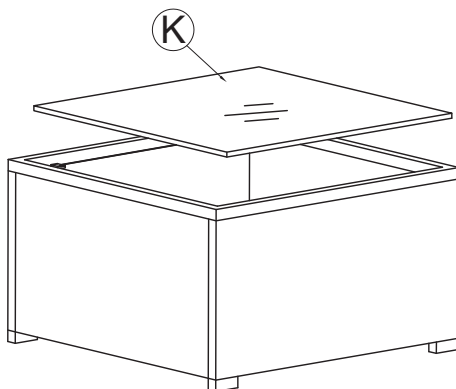
Tighten all 12 Screws into place with Allen Key (L).



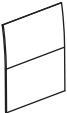
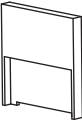
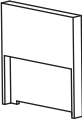

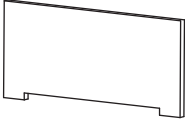
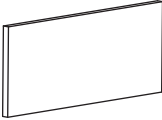
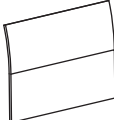
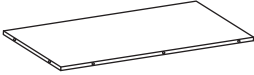
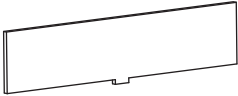

**NOTE: IF ANY SCREW HOLES CANNOT BE ALIGNED, LOOSEN ALL THE SCREWS AND GO BACK STEP 1 AND RESTART ASSEMBLY.**

4

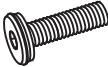
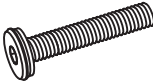


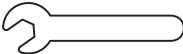


Put the Table Glass (K) on the Table.  
Your table is ready for use.



## COMPONENT LIST - SOFA SET

Item no.	Reference Image	Description	Qty.
A		Seat Back	1
B		Armrest	1
B1		Armrest	1
C		Seat Base	1
R		Side Panel	1
G		Side Panel	2
A1		Seat Back	1
C1		Seat Base	1
M		Side Panel	1
D		Washer	38

## COMPONENT LIST - SOFA SET

Item no.	Reference Image	Description	Qty.
E		M6X35 Head Cap Screws	26
F		M6X50 Head Cap Screws	6
L		Allen Key	1
Q		Nut	6
N		Wrench	1
H		Seat Cushion	2
I		Back Cushion	3

**NOTE:**

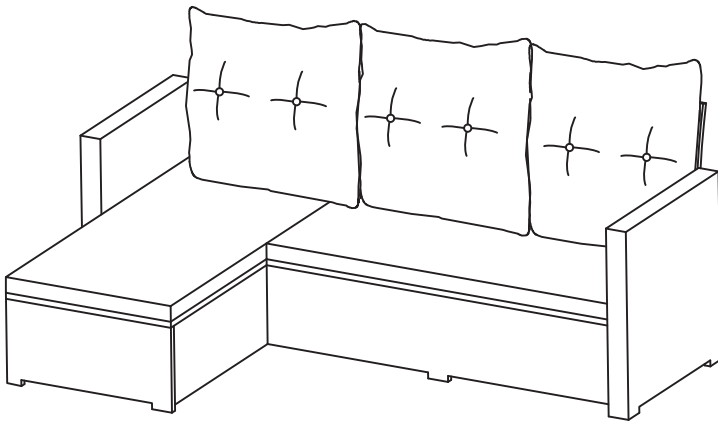
Do NOT tighten any screws fully first until you have tightened all the screws.

This may cause the frame to warp.

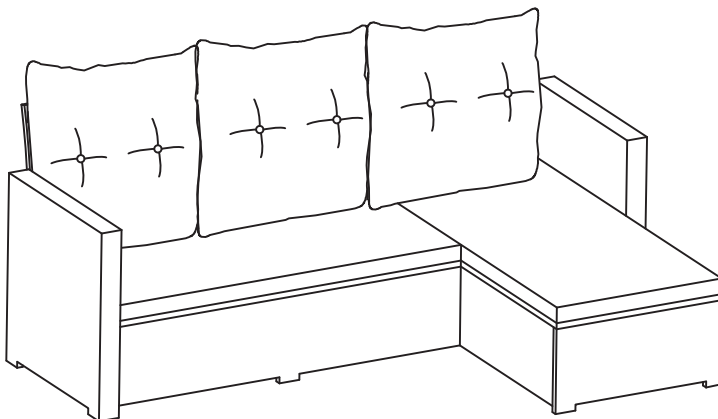
If there is still wobbles or screw holes cannot be aligned, loosen the screws and tighten sequentially.

If the Sofa Set is not stable it could lead to damage to the product.

Note: This chaise can be assembled on the left or on the right like picture shown. You can choose the way you like to assemble.



Option 1: Chaise on the right

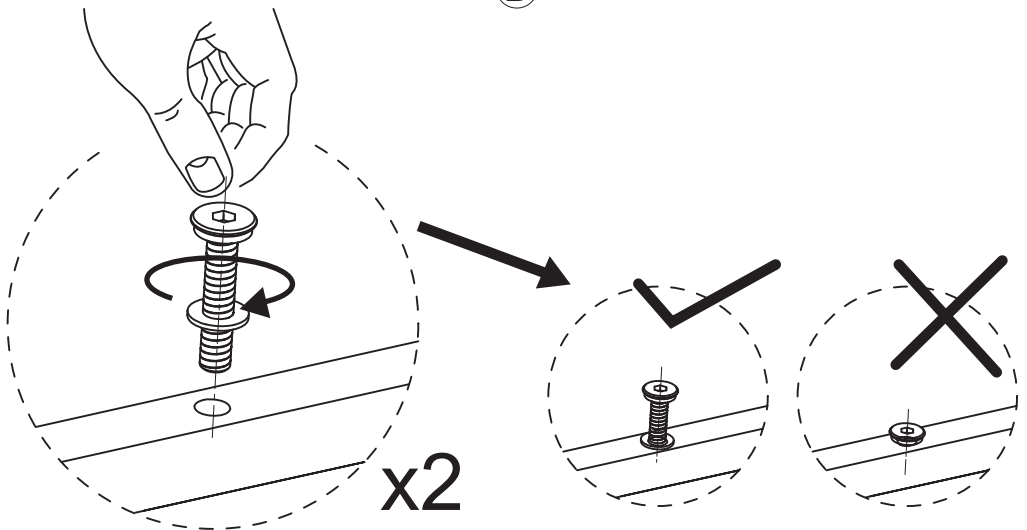
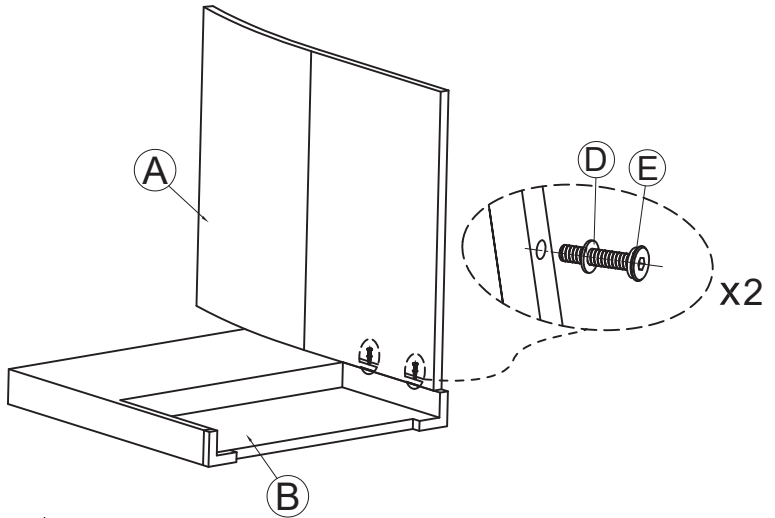


Option 2: Chaise on the left

## Assembly: Chaise on the right

1

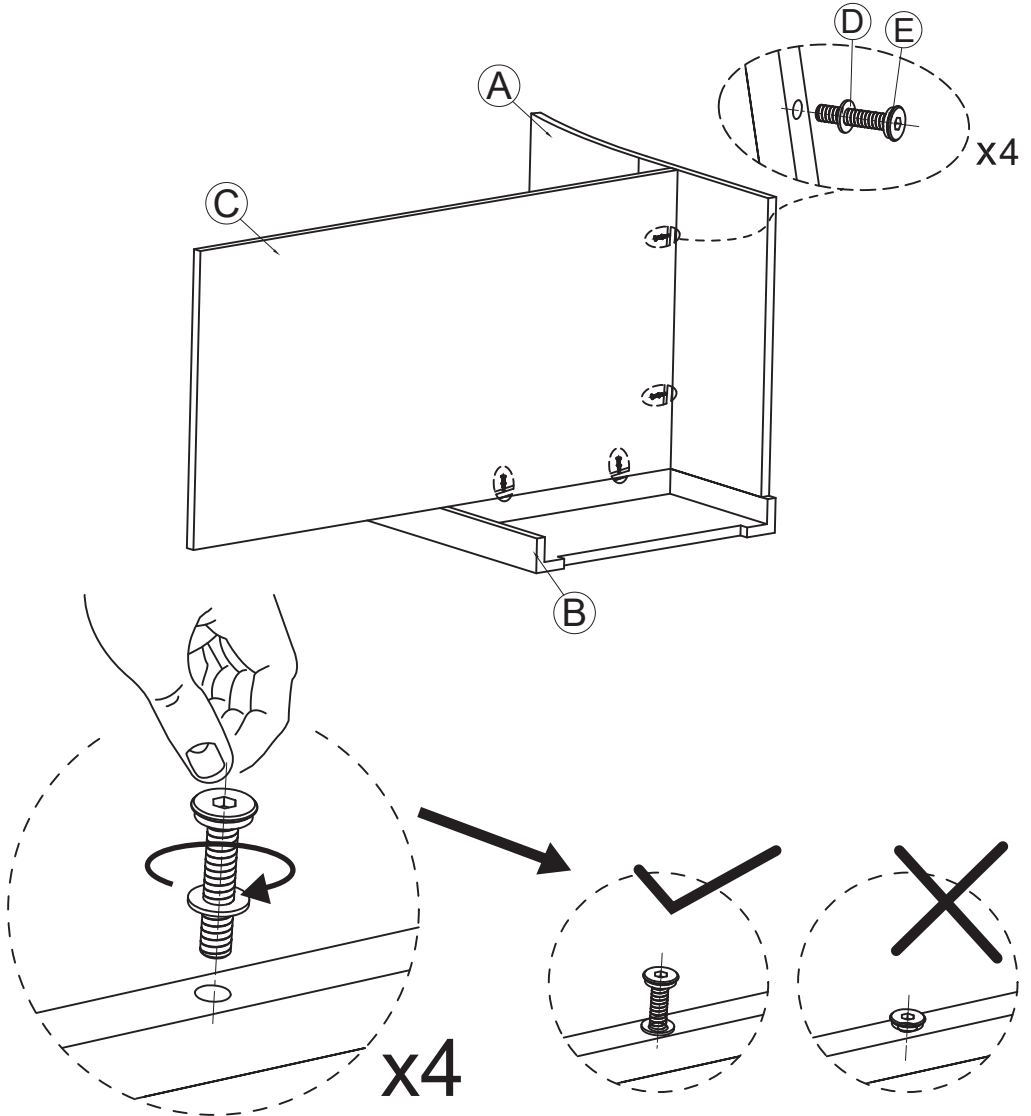
Attach the Seat Back (A) to the Armrest (B) by securing with M6\*35 Head Cap Screws (E) and Washers (D). Do this in 2 places.



**NOTE: DO NOT TIGHTEN THE SCREWS COMPLETELY.**

2

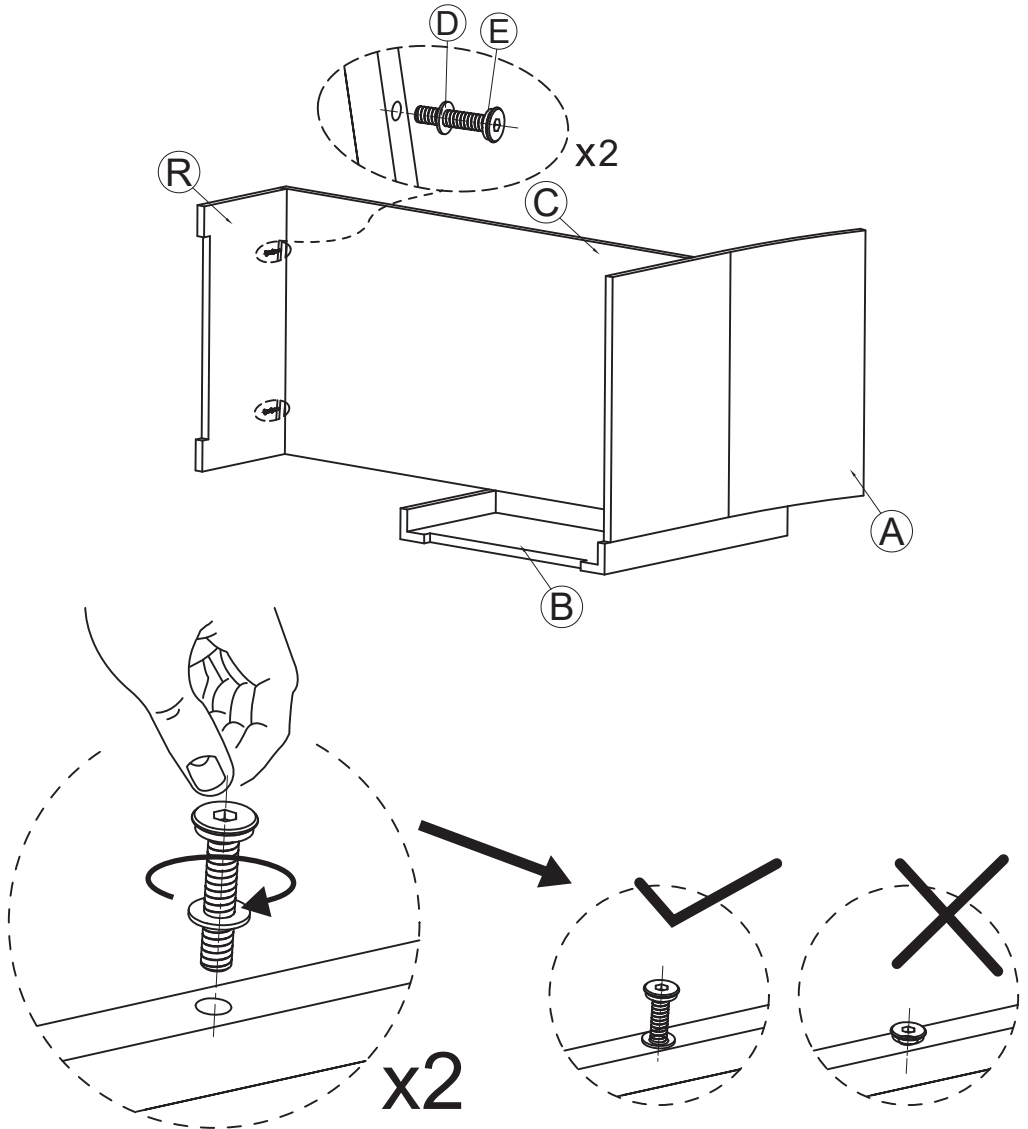
Attach the Seat Base (C) to the Seat Back (A) and the Armrest (B) by securing with M6\*35 Head Cap Screws (E) and Washers (D). Do this in 4 places.



**NOTE:DO NOT TIGHTEN THE SCREWS COMPLETELY.**

3

Attach the Side Panel (R) to the Seat Base (C) by securing with M6\*35 Head Cap Screws (E) and Washers (D). Do this in 2 places.

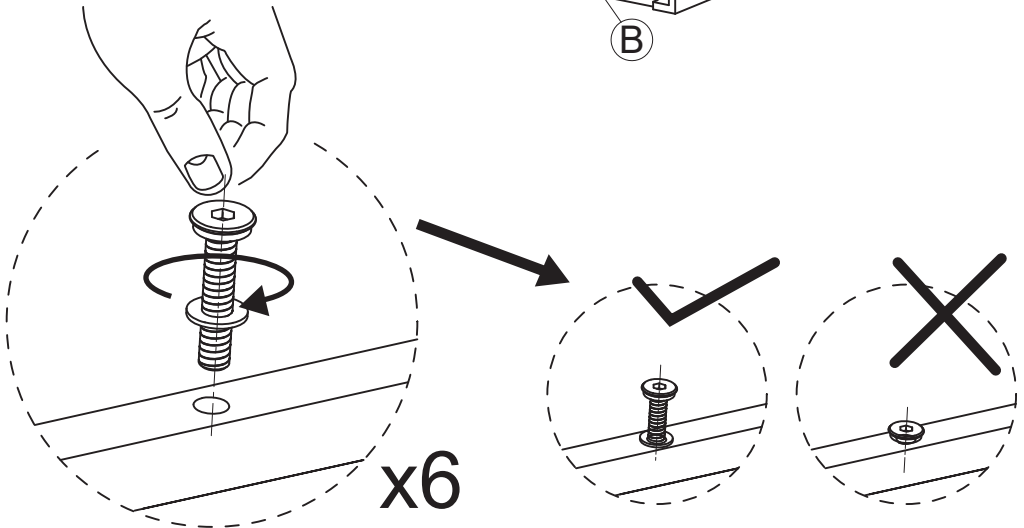
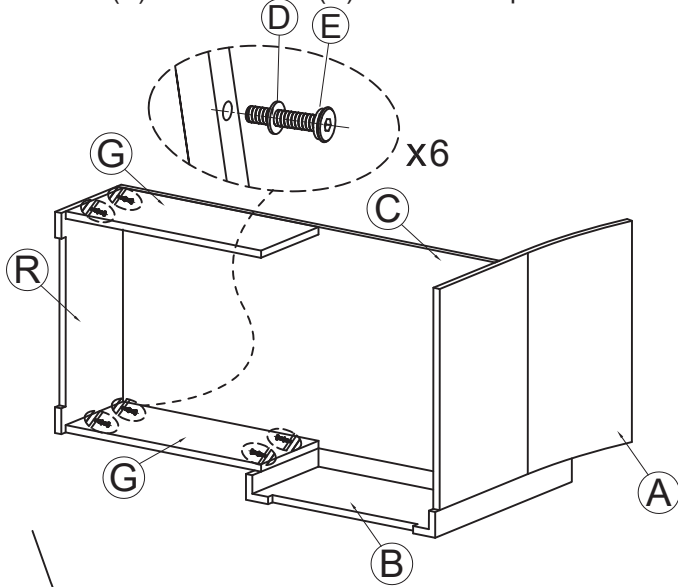


**NOTE:DO NOT TIGHTEN THE SCREWS COMPLETELY.**

4

Attach the Side Panel (G) to the Side Panel (R) and the Armrest (B) by securing with M6\*35 Head Cap Screws (E) and Washers (D). Do this in 4 places.

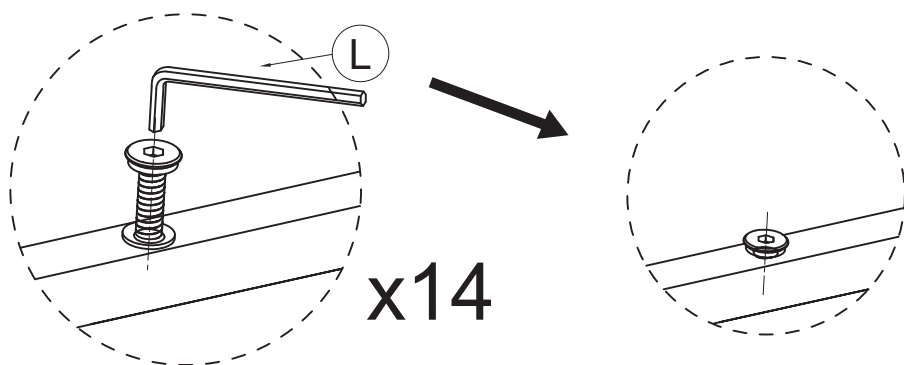
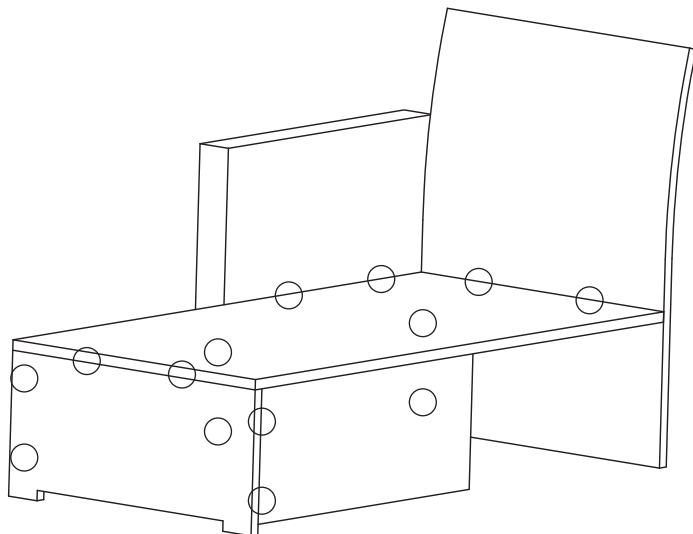
And attached the other Side Panel (G) to the Side Panel (R) by securing with M6\*35 Head Cap Screws (E) and Washers (D). Do this in 2 places.



**NOTE:DO NOT TIGHTEN THE SCREWS COMPLETELY.**

5

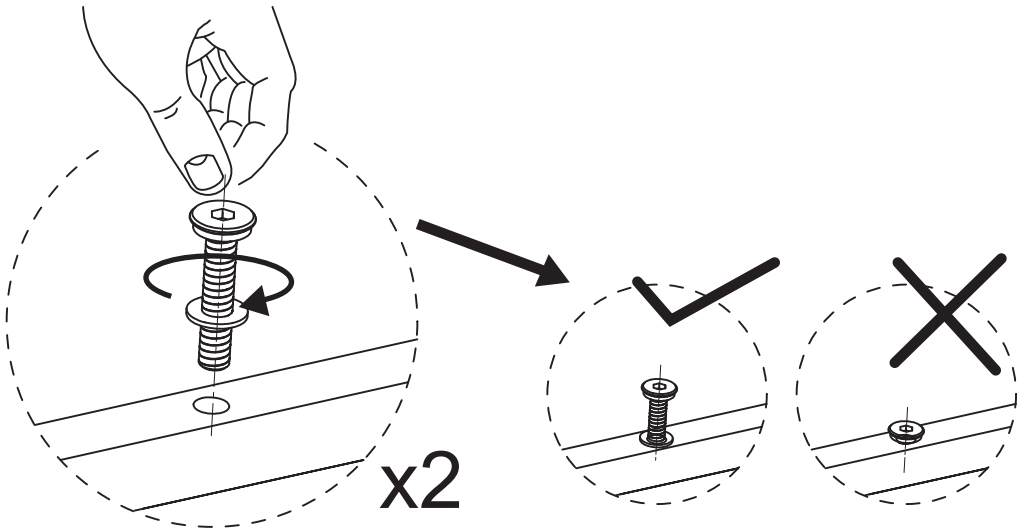
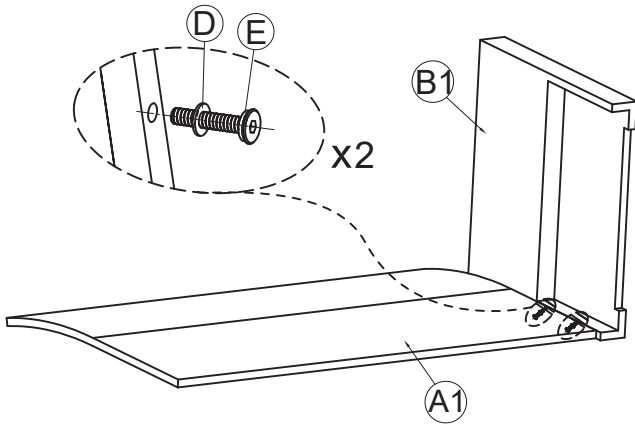
Tighten all 14 Screws into place with Allen Key (L).  
Chaise is completed.



**NOTE:**IF ANY SCREW HOLES CANNOT BE ALIGNED,  
LOOSEN ALL THE SCREWS AND GO BACK STEP  
1 AND RESTART ASSEMBLY.

6

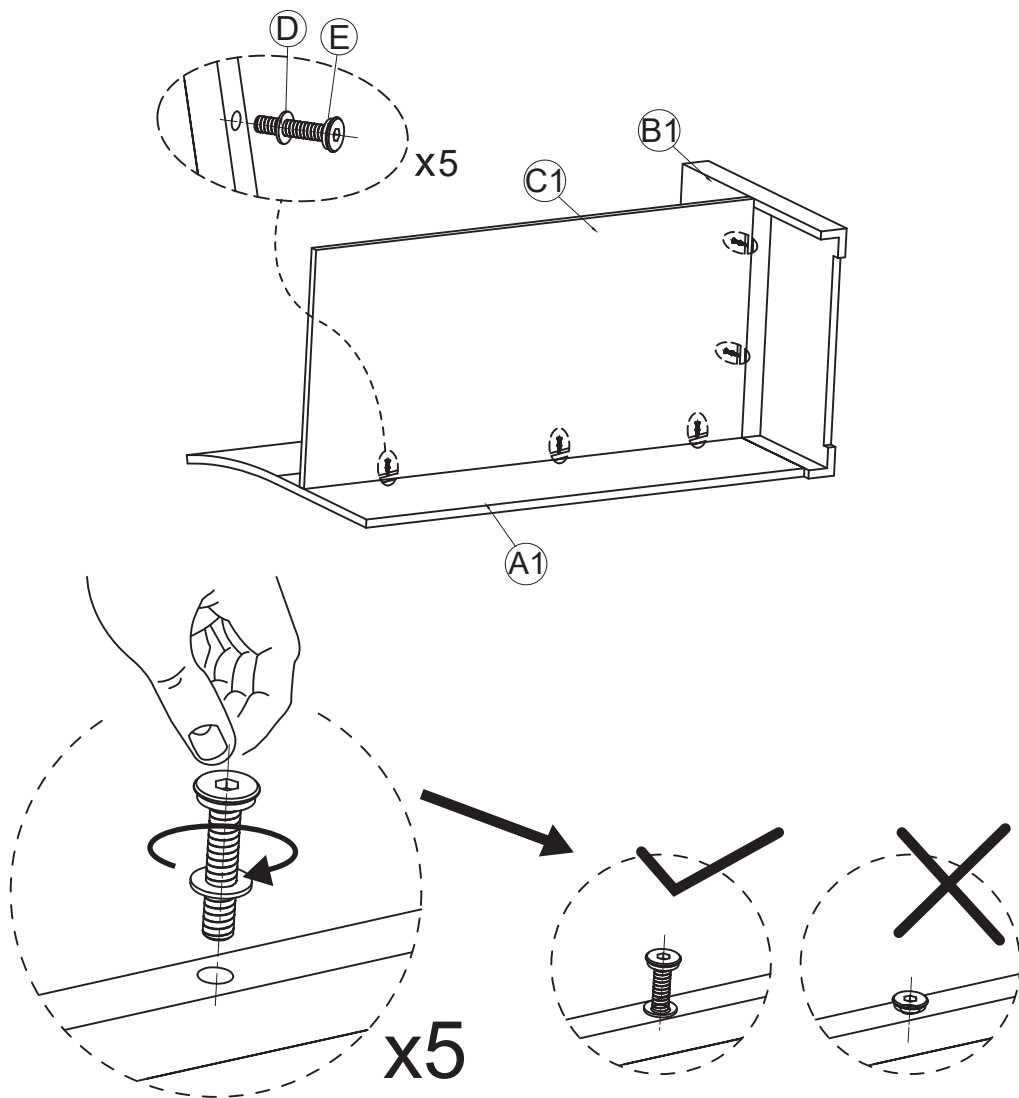
Attach the Seat Back (A1) to the Armrest (B1) by securing with M6\*35 Head Cap Screws (E) and Washers (D). Do this in 2 places.



**NOTE:DO NOT TIGHTEN THE SCREWS COMPLETELY.**

# 7

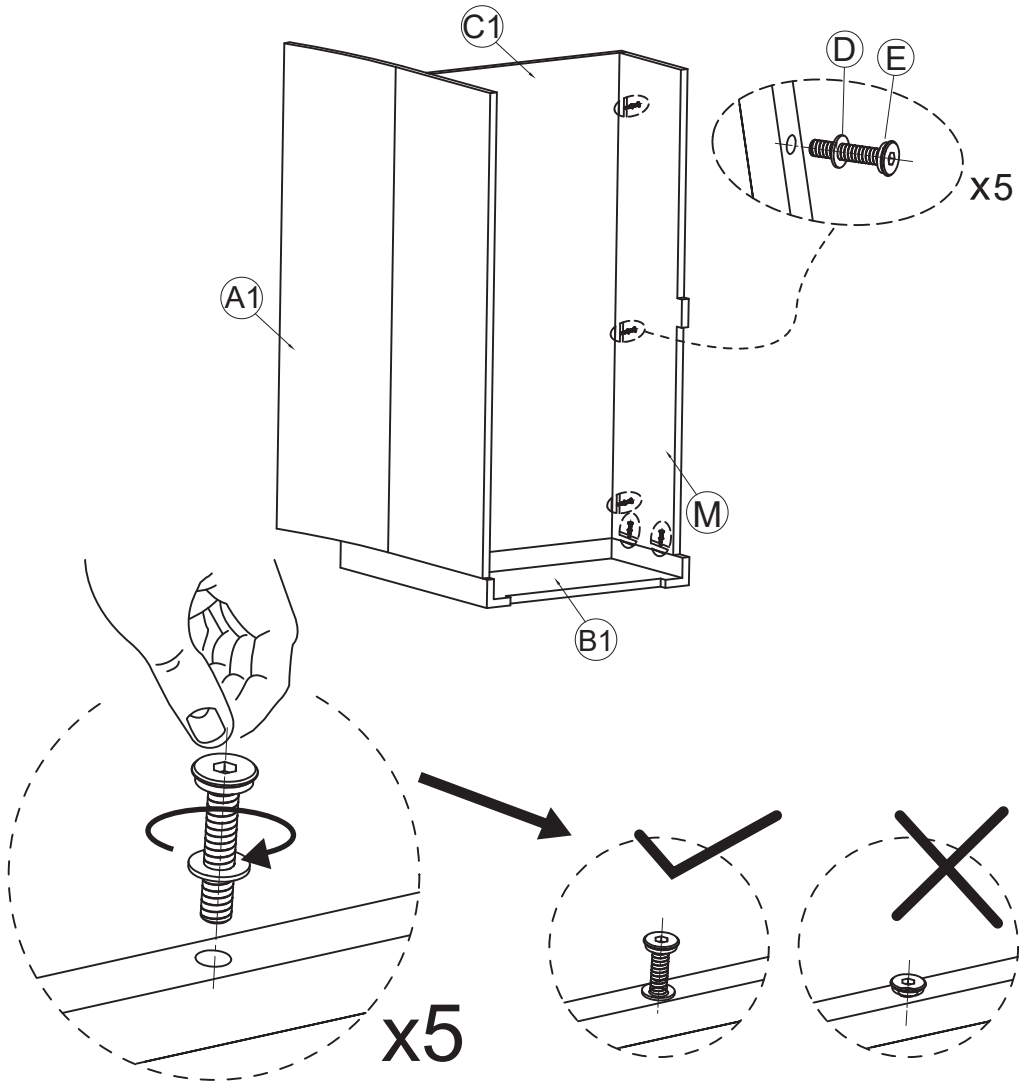
Attach the Seat Base (C1) to the Seat Back (A1) and the Armrest (B1) by securing with M6\*35 Head Cap Screws (E) and Washers (D). Do this in 5 places.



**NOTE: DO NOT TIGHTEN THE SCREWS COMPLETELY.**

8

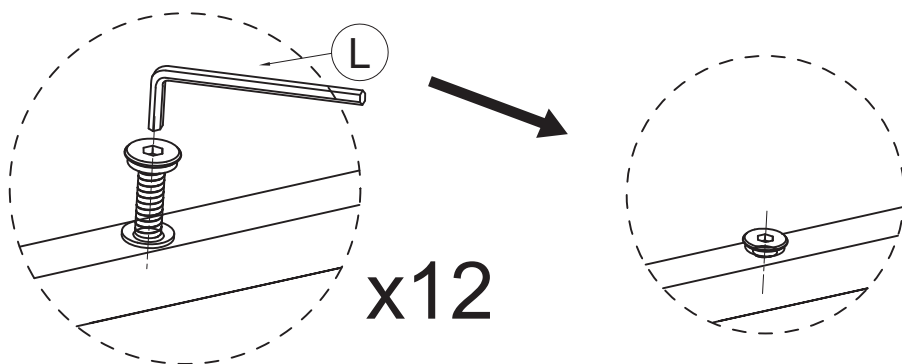
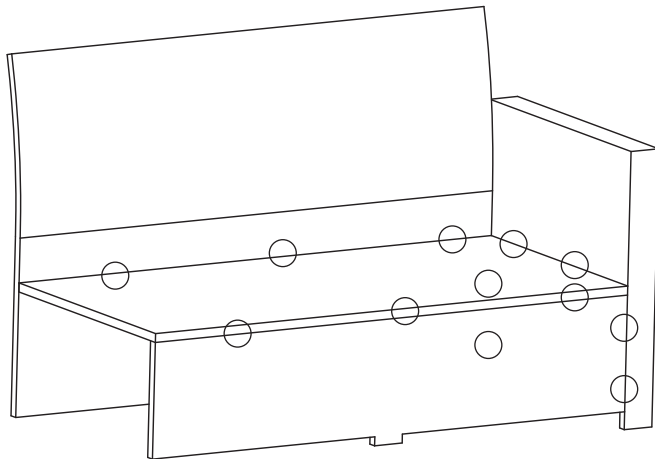
Attach the Side Panel (M) to the Seat Base (C1) and the Armrest (B1) by securing with M6\*35 Head Cap Screws (E) and Washers (D). Do this in 5 places.



**NOTE:DO NOT TIGHTEN THE SCREWS COMPLETELY.**

9

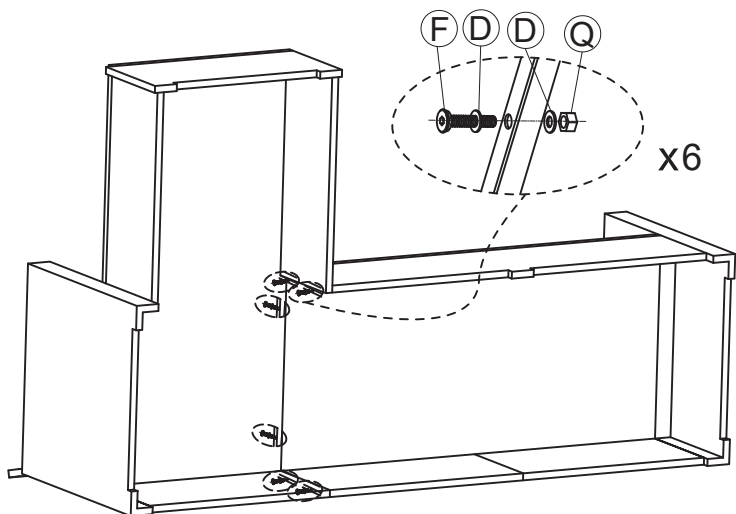
Tighten all 12 Screws into place with Allen Key (L).  
Loveseat is completed.



**NOTE:**IF ANY SCREW HOLES CANNOT BE ALIGNED,  
LOOSEN ALL THE SCREWS AND GO BACK STEP  
1 AND RESTART ASSEMBLY.

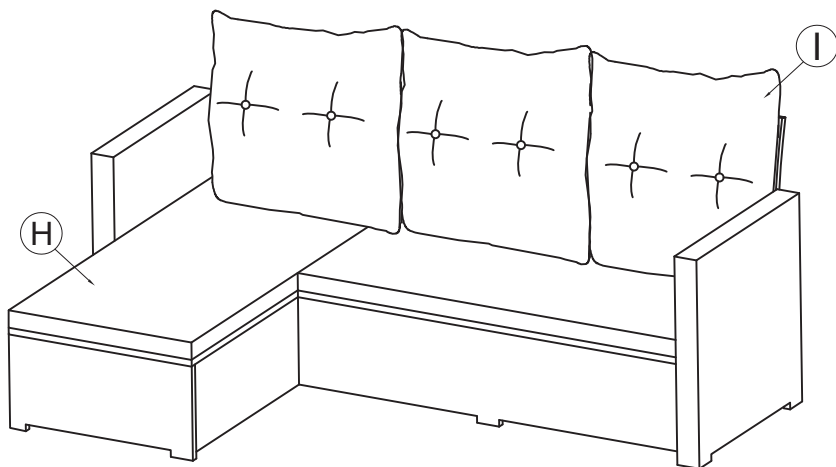
10

Attach the loveseat to the assembly by threading M6\*50 Head Cap Screws (F) with Washers (D) through the chaise and securing into place with Washers (D) and Nut (Q). Tighten into place with Allen Key (L) and Wrench (N). Do this in 6 places.



11

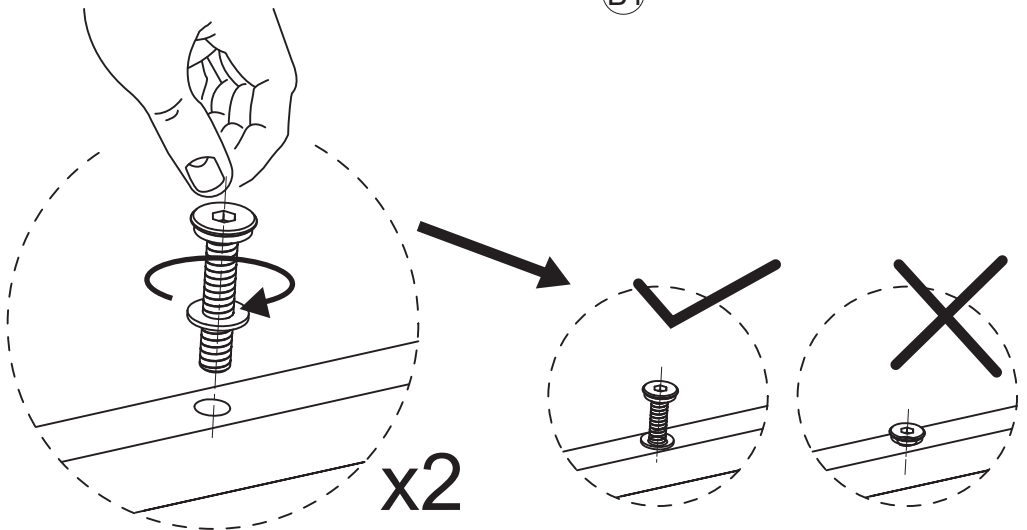
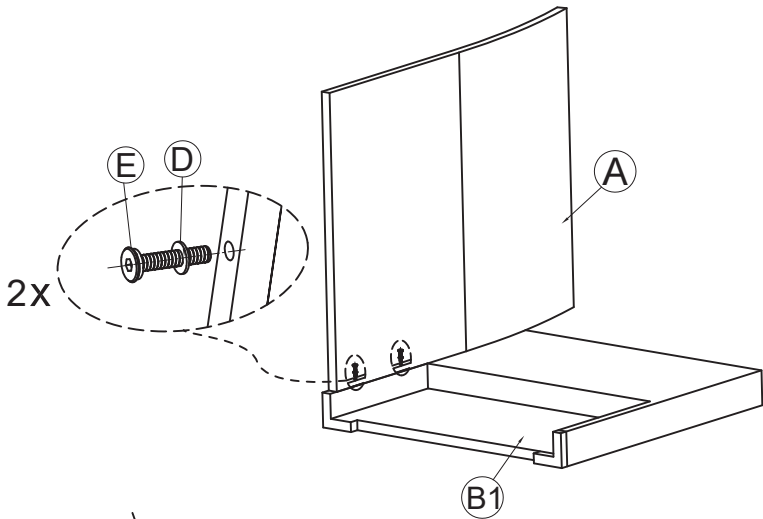
Place the sofa on a level surface.  
Place Seat Cushions (H) and Back Cushions (I) on the sofa.  
Chaise on the right assembly is completed and your sofa is ready for use.



## Assembly: Chaise on the left

1

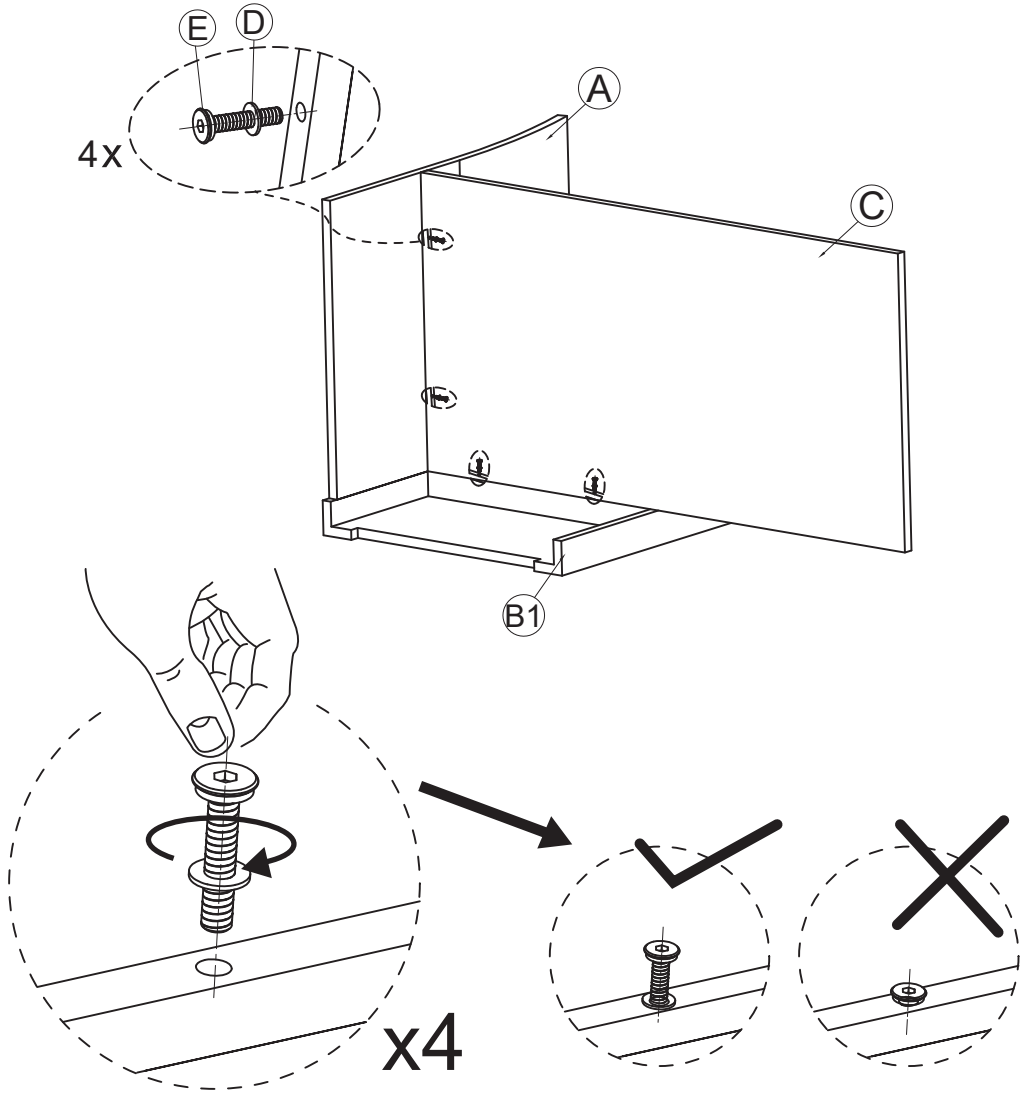
Attach the Seat Back (A) to the Armrest (B1) by securing with M6\*35 Head Cap Screws (E) and Washers (D). Do this in 2 places.



**NOTE: DO NOT TIGHTEN THE SCREWS COMPLETELY.**

# 2

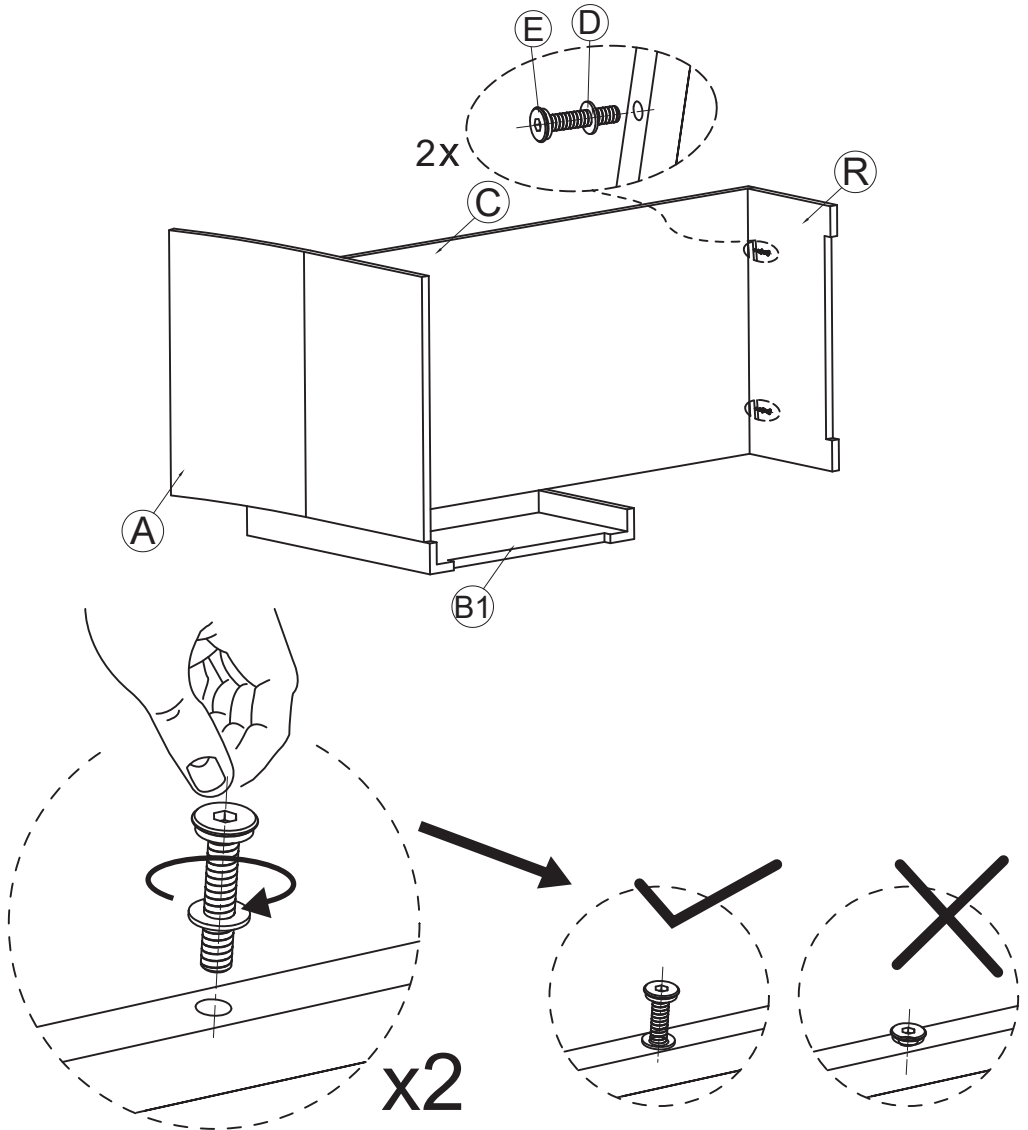
Attach the Seat Base (C) to the Seat Back (A) and the Armrest (B1) by securing with M6\*35 Head Cap Screws (E) and Washers (D). Do this in 4 places.



**NOTE: DO NOT TIGHTEN THE SCREWS COMPLETELY.**

3

Attach the Side Panel (R) to the Seat Base (C) by securing with M6\*35 Head Cap Screws (E) and Washers (D). Do this in 2 places.

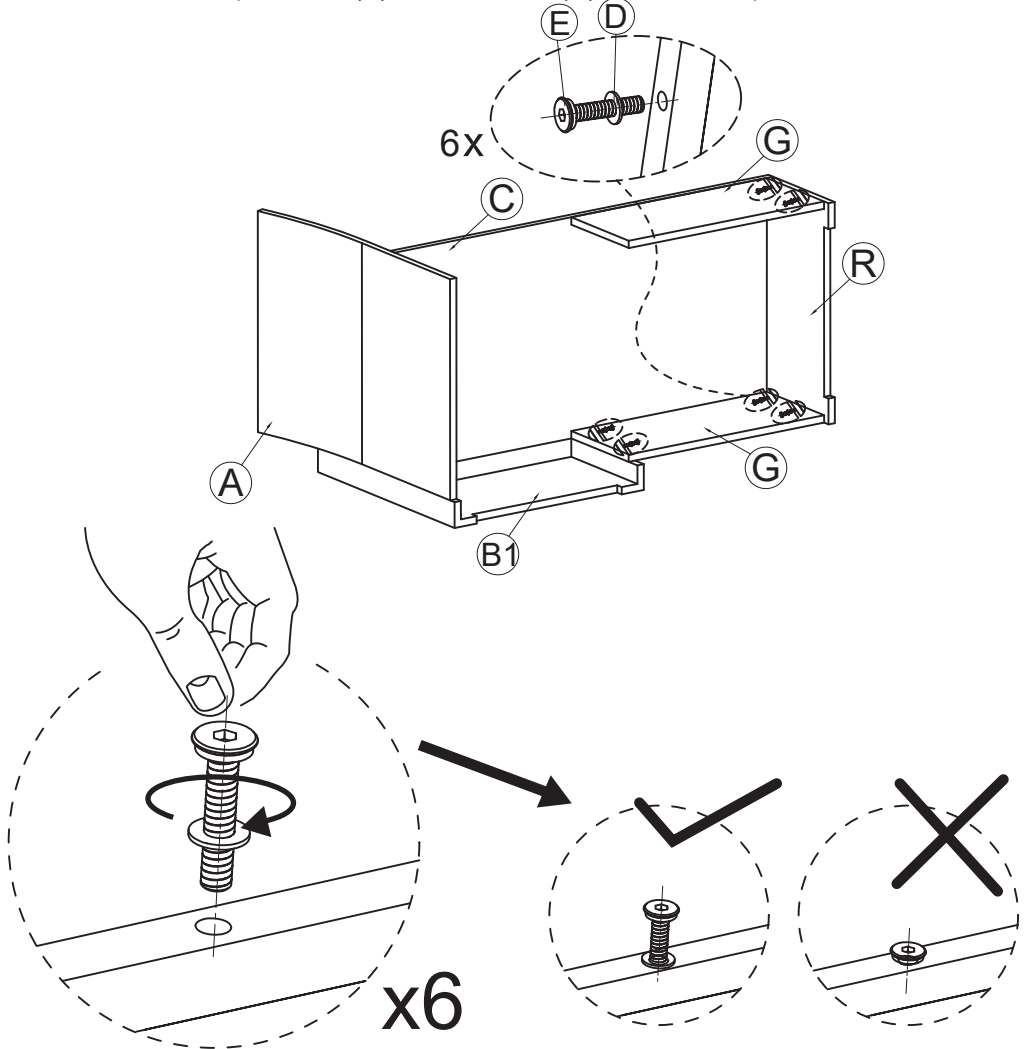


**NOTE: DO NOT TIGHTEN THE SCREWS COMPLETELY.**

4

Attach the Side Panel (G) to the Side Panel (R) and the Armrest (B1) by securing with M6\*35 Head Cap Screws (E) and Washers (D). Do this in 4 places.

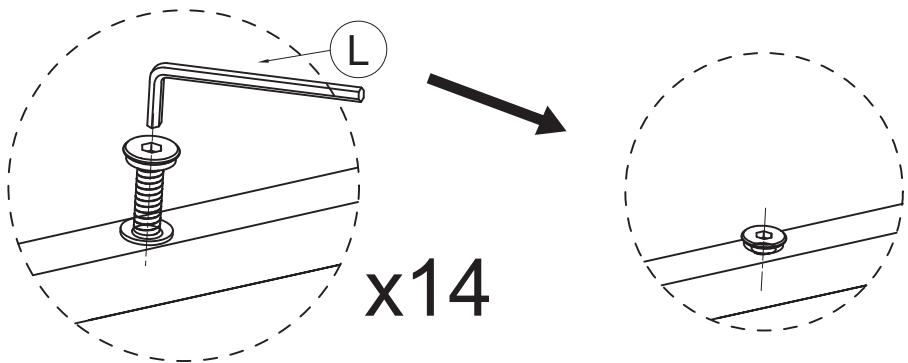
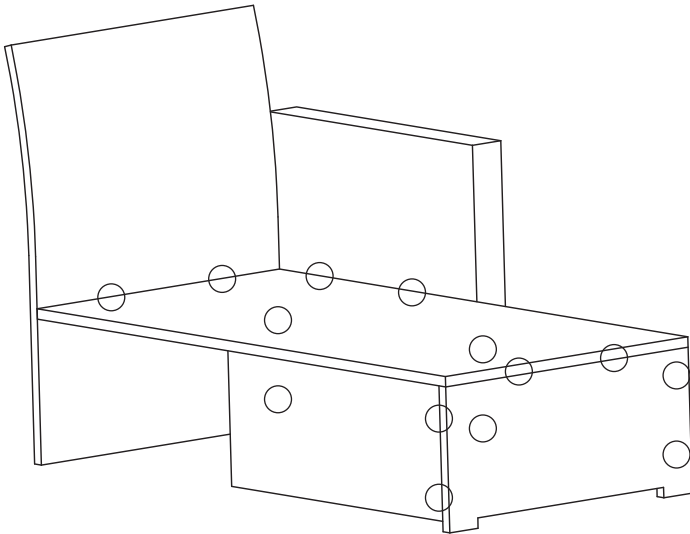
And attached the other Side Panel (G) to the Side Panel (R) by securing with M6\*35 Head Cap Screws (E) and Washers (D). Do this in 2 places.



**NOTE:DO NOT TIGHTEN THE SCREWS COMPLETELY.**

5

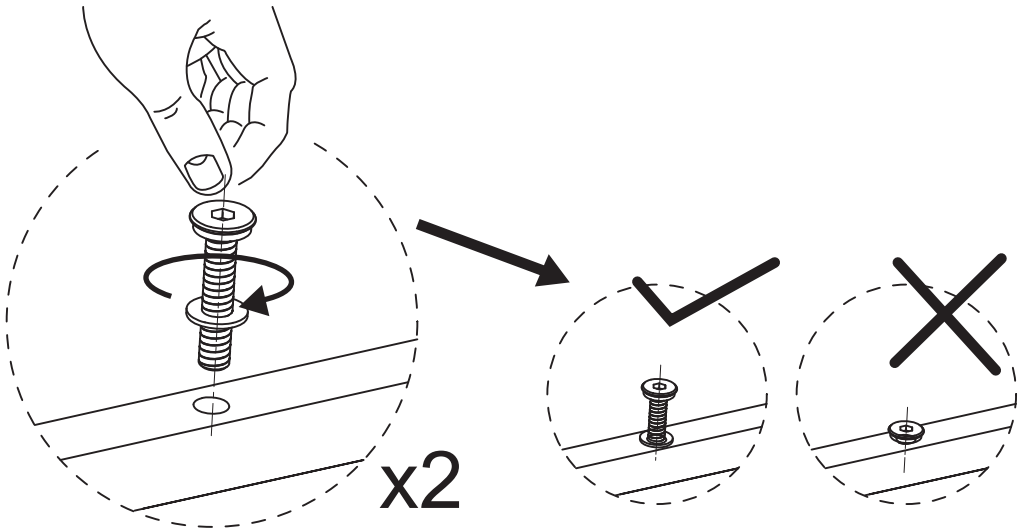
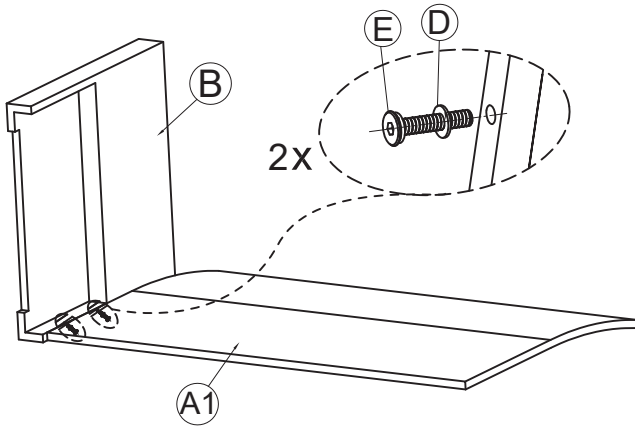
Tighten all 14 Screws into place with Allen Key (L).  
Chaise is completed.



**NOTE:**IF ANY SCREW HOLES CANNOT BE ALIGNED,  
LOOSEN ALL THE SCREWS AND GO BACK STEP  
1 AND RESTART ASSEMBLY.

6

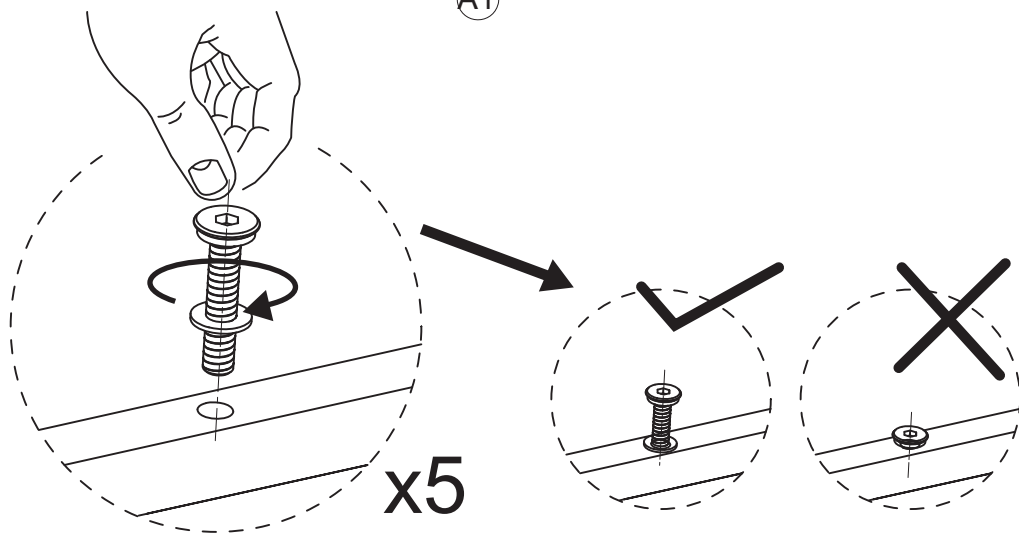
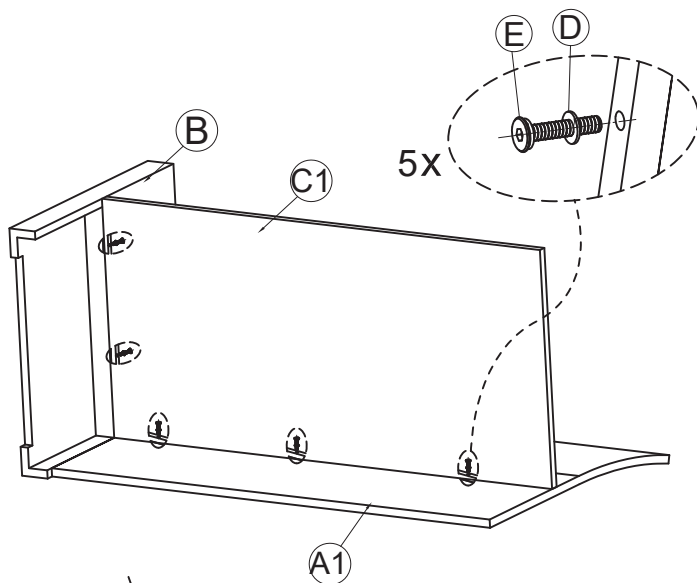
Attach the Seat Back (A1) to the Armrest (B) by securing with M6\*35 Head Cap Screws (E) and Washers (D). Do this in 2 places.



**NOTE: DO NOT TIGHTEN THE SCREWS COMPLETELY.**

7

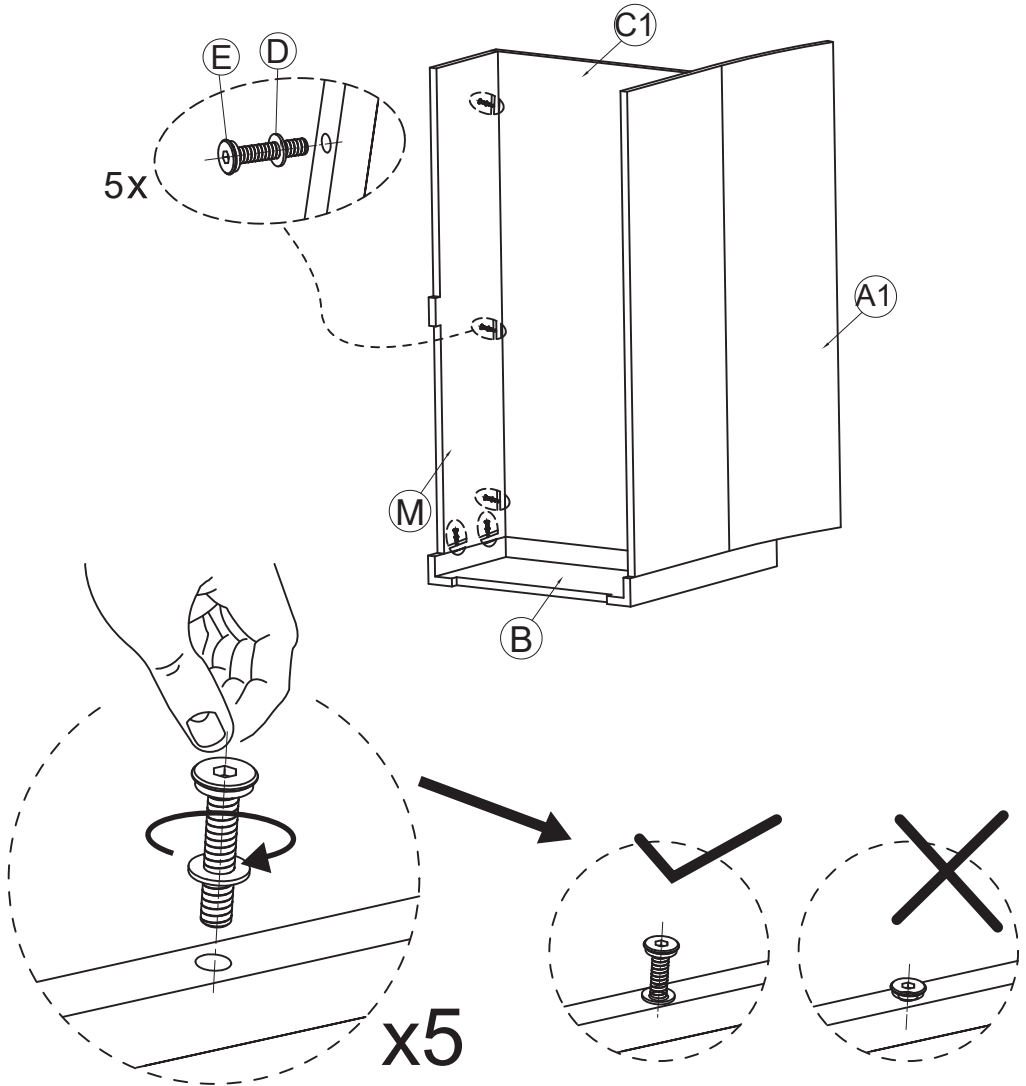
Attach the Seat Base (C1) to the Seat Back (A1) and the Armrest (B) by securing with M6\*35 Head Cap Screws (E) and Washers (D). Do this in 5 places.



**NOTE:DO NOT TIGHTEN THE SCREWS COMPLETELY.**

8

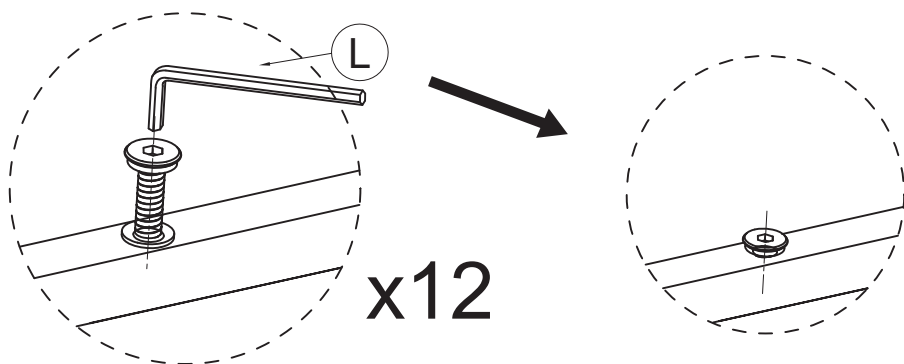
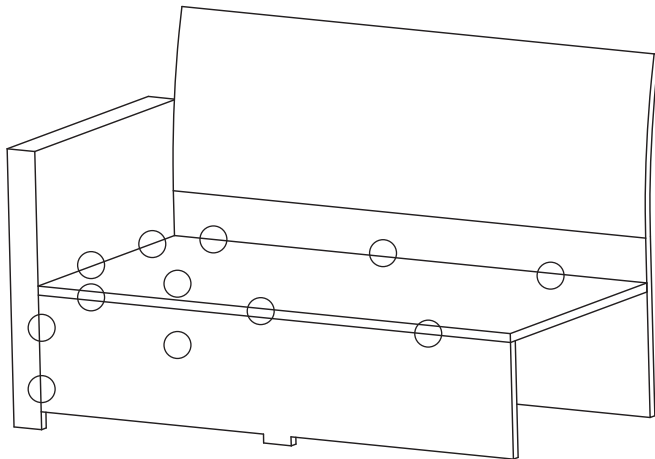
Attach the Side Panel (M) to the Seat Base (C1) and the Table Panel (B) by securing with M6\*35 Head Cap Screws (E) and Washers (D). Do this in 5 places.



**NOTE:DO NOT TIGHTEN THE SCREWS COMPLETELY.**

9

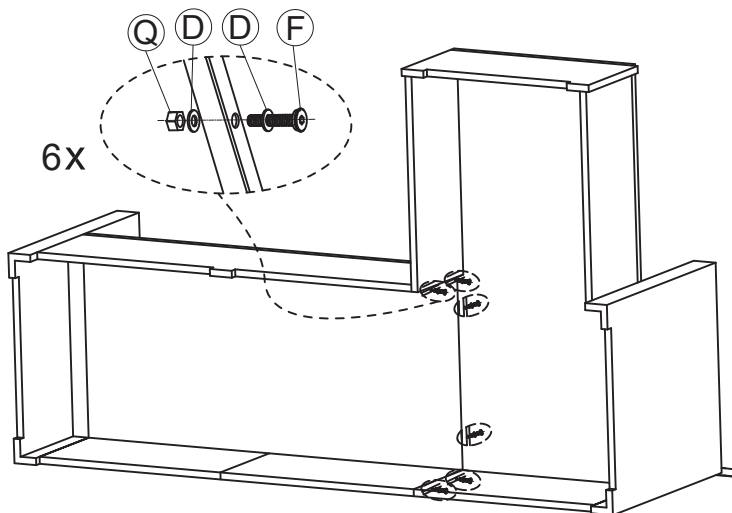
Tighten all 12 Screws into place with Allen Key (L).  
Loveseat is completed.



**NOTE:**IF ANY SCREW HOLES CANNOT BE ALIGNED,  
LOOSEN ALL THE SCREWS AND GO BACK STEP  
1 AND RESTART ASSEMBLY.

10

Attach the loveseat to the assembly by threading M6\*50 Head Cap Screws (F) with Washers (D) through the chaise and securing into place with Washers (D) and Nut (Q). Tighten into place with Allen Key (L) and Wrench (N). Do this in 6 places.



11

Place the sofa on a level surface.  
Place Seat Cushions (H) and Back Cushions (I) on the sofa.  
Chaise on the right assembly is completed and your sofa is ready for use.

