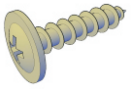


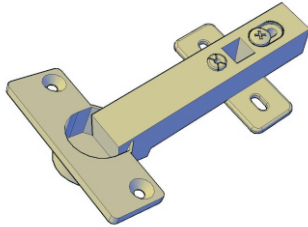
**01 - Doors = 02 pieces**



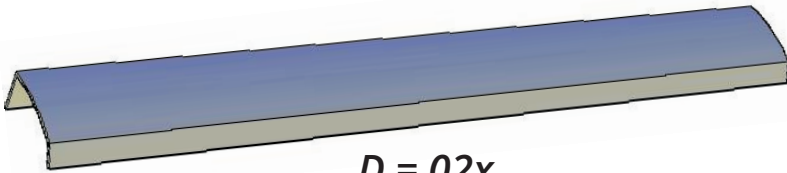
**A = 24x**



**B = 04x**

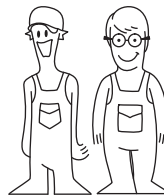
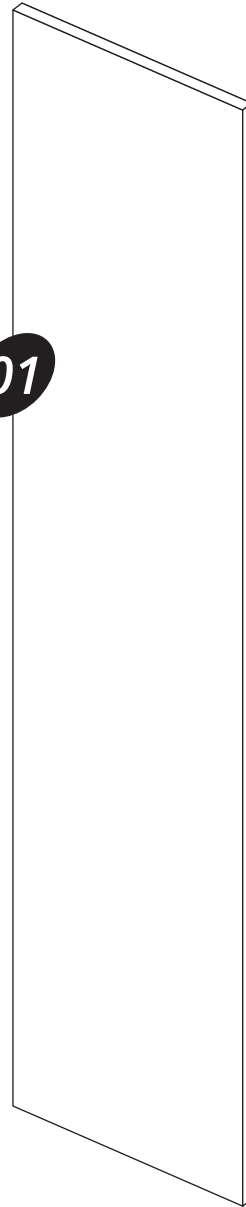


**C = 06x**



**D = 02x**

**01**



**Tools needed  
(not included)**



**Phillips screw driver**

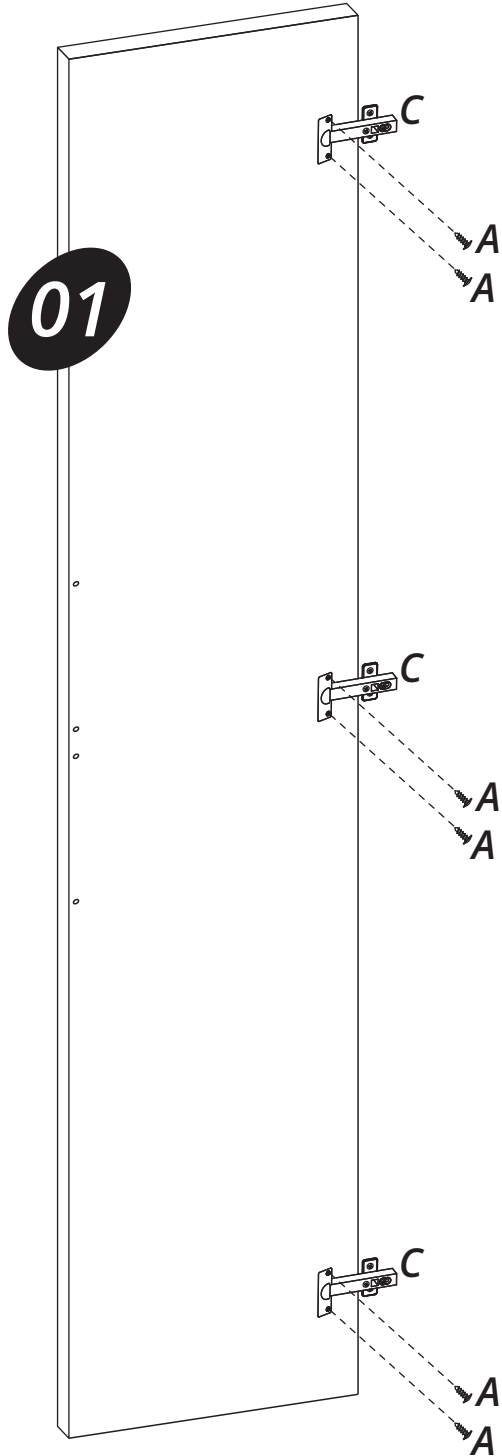


**Screw driver**

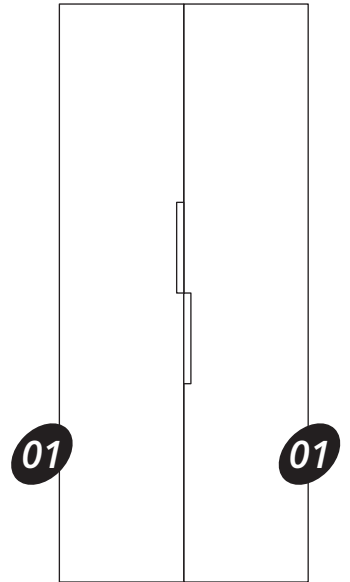
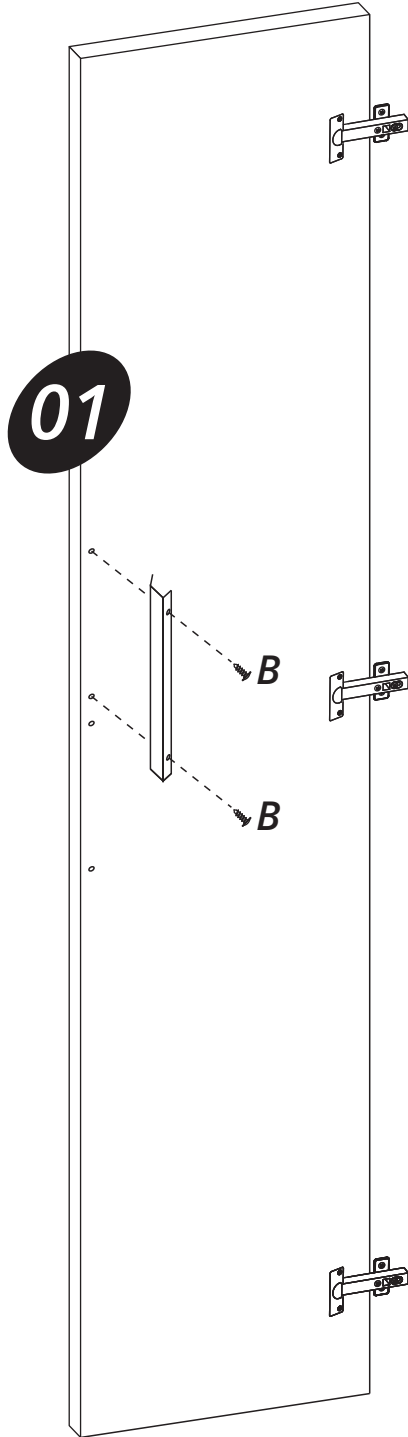
**Step 01**

*Attention to the position of the Handle (D) on the part (01).  
One up and one down.*

*Connect the hardware (C) into the part (01) with the hardware (A).*



*Connect the hardware (D) onto the part (01) with the hardware (B).*



**Step 02**

Connect the part (01)  
into the Side Panels of the  
Mulberry Corner Wardrobe with  
hardware (A).

Side Panels of the  
Mulberry Corner Wardrobe

