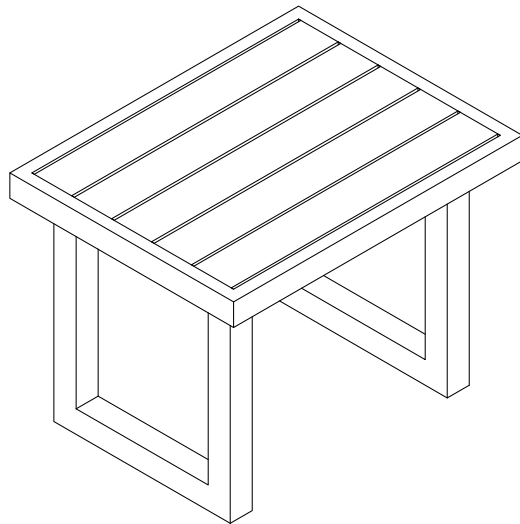
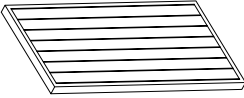
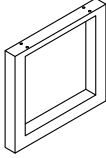


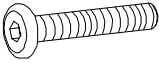


Outdoor Wicker Side Table



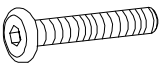

PART LIST

| | |
|---|---|
| <p>A</p>  | <p>B</p>  |
| <p>Top Panel 1 PC</p> | <p>Leg 2 PCS</p> |

HARDWARE LIST

| | | |
|---|--|--|
| <p>#1</p>  <p>M6*35mm</p> | <p>#2</p>  <p>M6mm</p> | <p>#3</p>  <p>M6mm</p> |
| <p>Bolt 8 PCS</p> | <p>Washer 8 PCS</p> | <p>Allen Key 1 PC</p> |

EXTRA HARDWARE LIST

| | |
|---|--|
| <p>#1</p>  <p>M6*40mm</p> | <p>#2</p>  <p>M6mm</p> |
| <p>Bolt 1 PC</p> | <p>Washer 1 PC</p> |