

# Assembly Instructions for SIDE CHAIR DSW100SC

**Caution:** Please read instructions thoroughly before unpacking assembly parts. Sharp, exposed staple tips can cause injury, therefore, for your protection, please remove any exposed staples used in packing.

1. We recommend that you should assemble this product with the assistance of another person; this will make assembly easier, and will help to eliminate damage to the product or injury to persons during assembly.
2. Be sure to check all packing materials carefully for small parts that may have come loose inside the carton during shipment.
3. Please do not over tighten screws or bolts.
4. Please put all parts on a non-abrasive floor before assembly, and follow the assembly steps to assemble your newly purchased product correctly and efficiently.

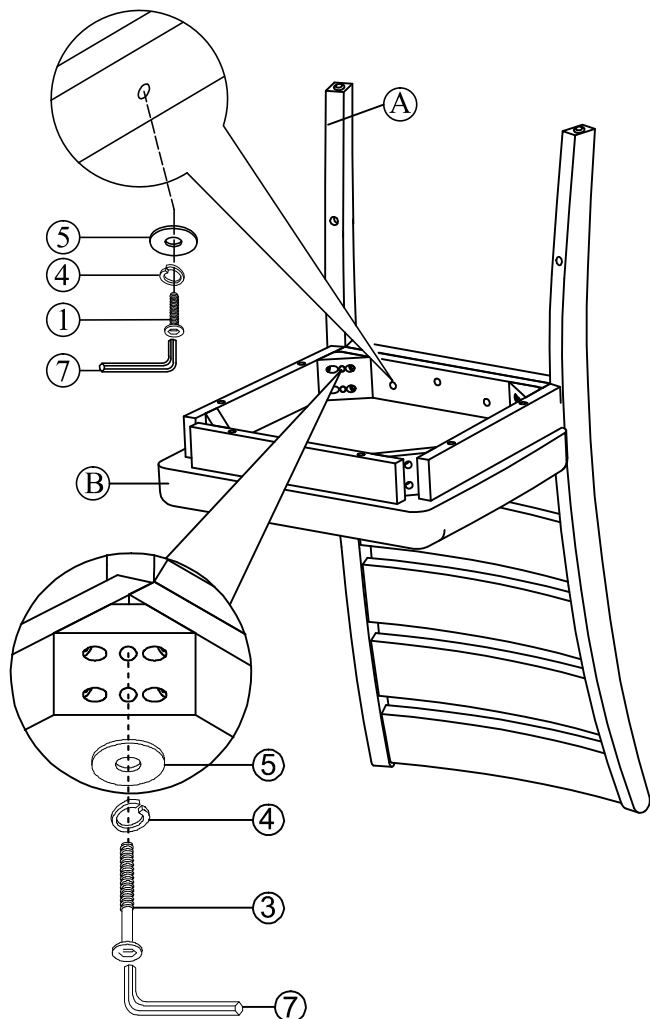
## PART LIST

No.	PART DESC.	CODE.	Q'TY
A	Side Chair Back Frame	PDSW100SCBFR	1
B	Side Chair Seat Frame With Cushion	PDSW100SCSEA	1
C	Side Chair Left/Right Leg	PDSW100SCLRL	1 SET
D	Side Chair Left/Right Side Stretcher	PDSW100SCLRS	1 SET

## HARDWARE LIST

No.		HARDWARE DESC	CODE.	Q'TY
1		Short bolt (1/4" x 38mm)	PDSW100SCHW	3
2		Bolt (1/4" x 60mm)		4
3		Long bolt (1/4" x 75mm)		4
4		Spring washer (1/4")		11
5		Flat washer (1/4")		11
6		Screw ( #4 x 38mm)		4
7		Allen key		1

### STEP:1



### STEP:2

