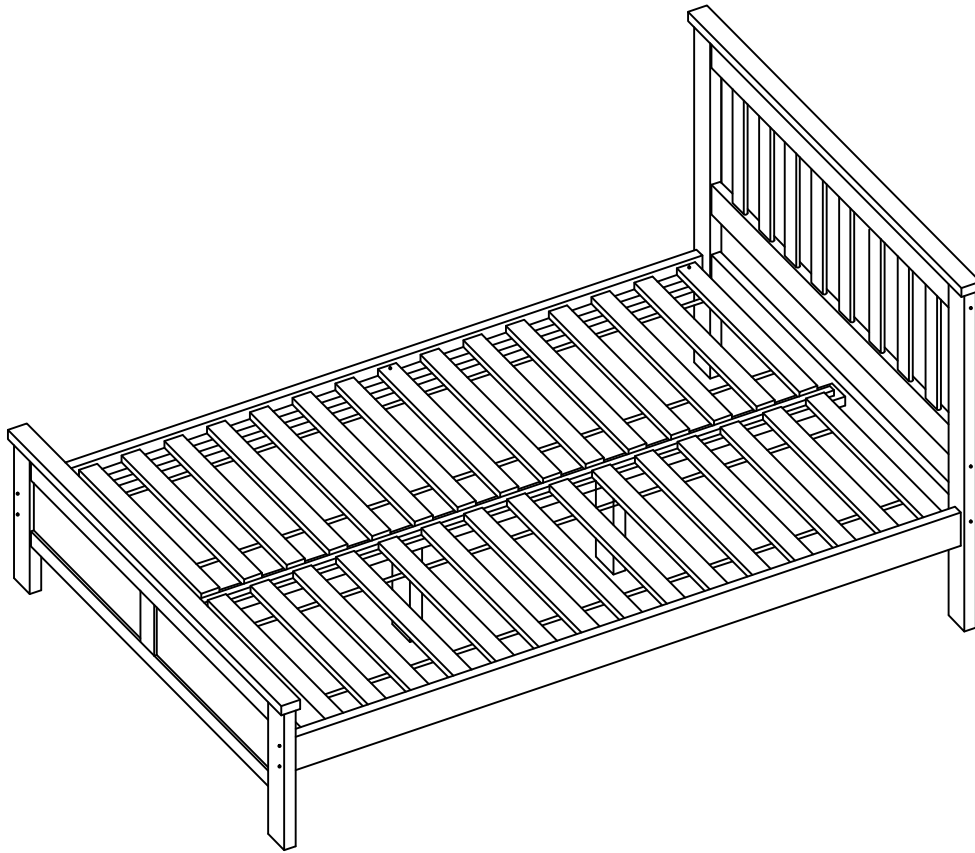
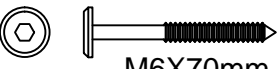

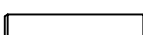
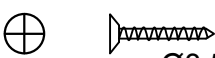
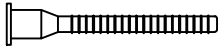
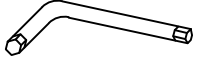
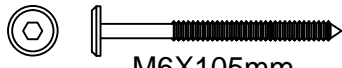



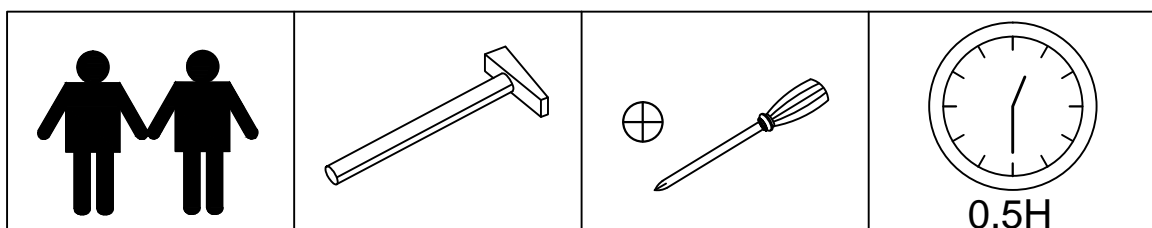
Assembly instruction

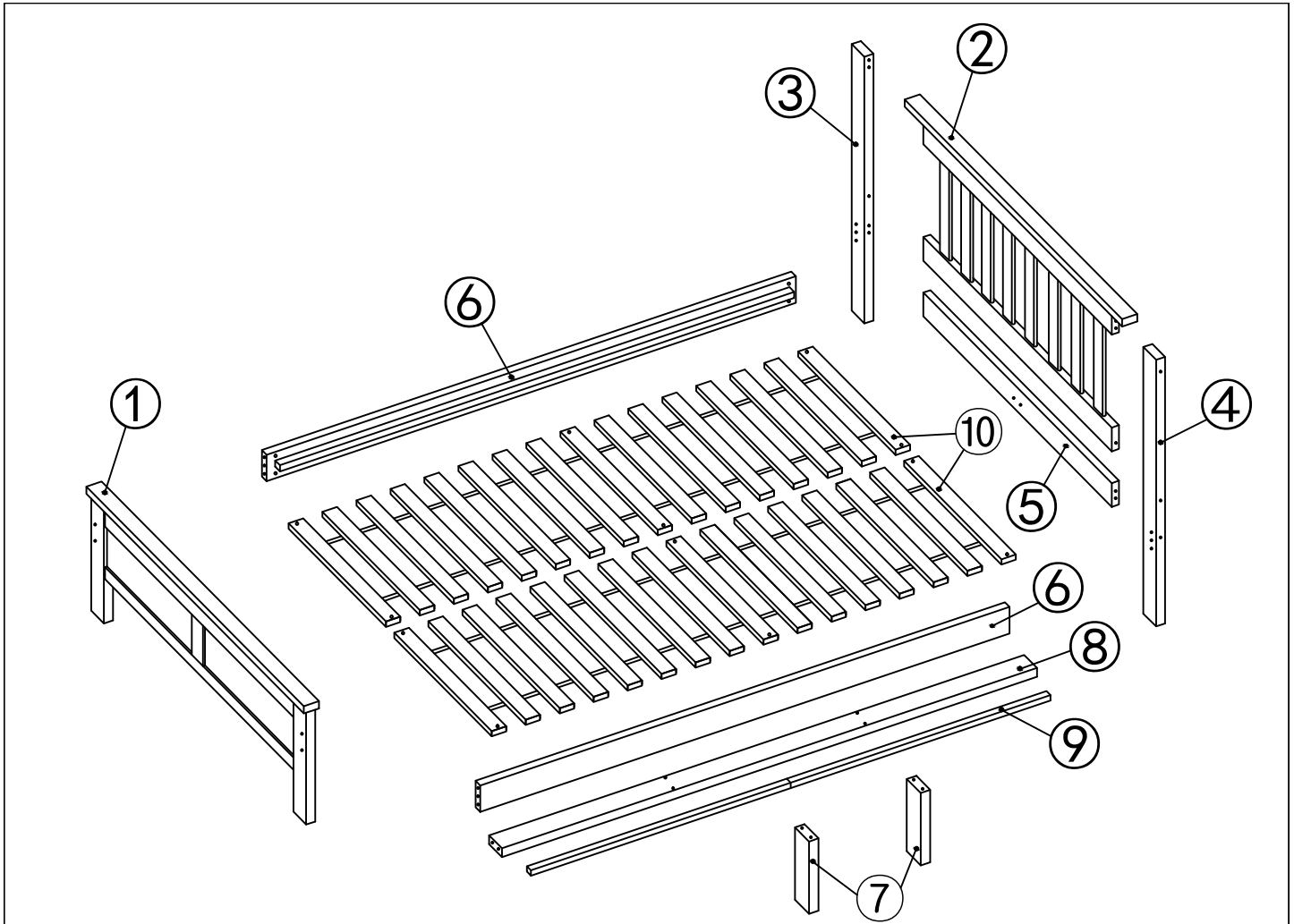


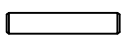
HARDWARE

A	 M6X70mm	08
B		14
C	 Ø8X30mm	08
D	 Ø3.5X25mm	19

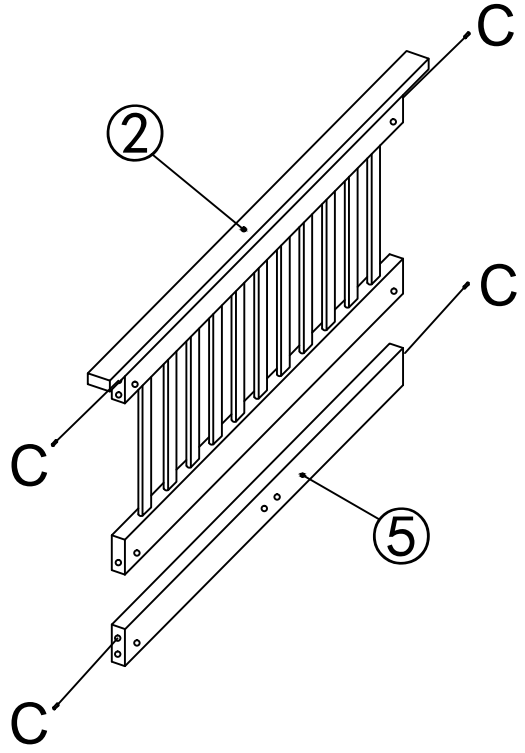
E	 Ø7x50mm	06
F		01
G	 M6X105mm	06
H	 Stopples	14

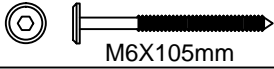

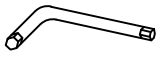




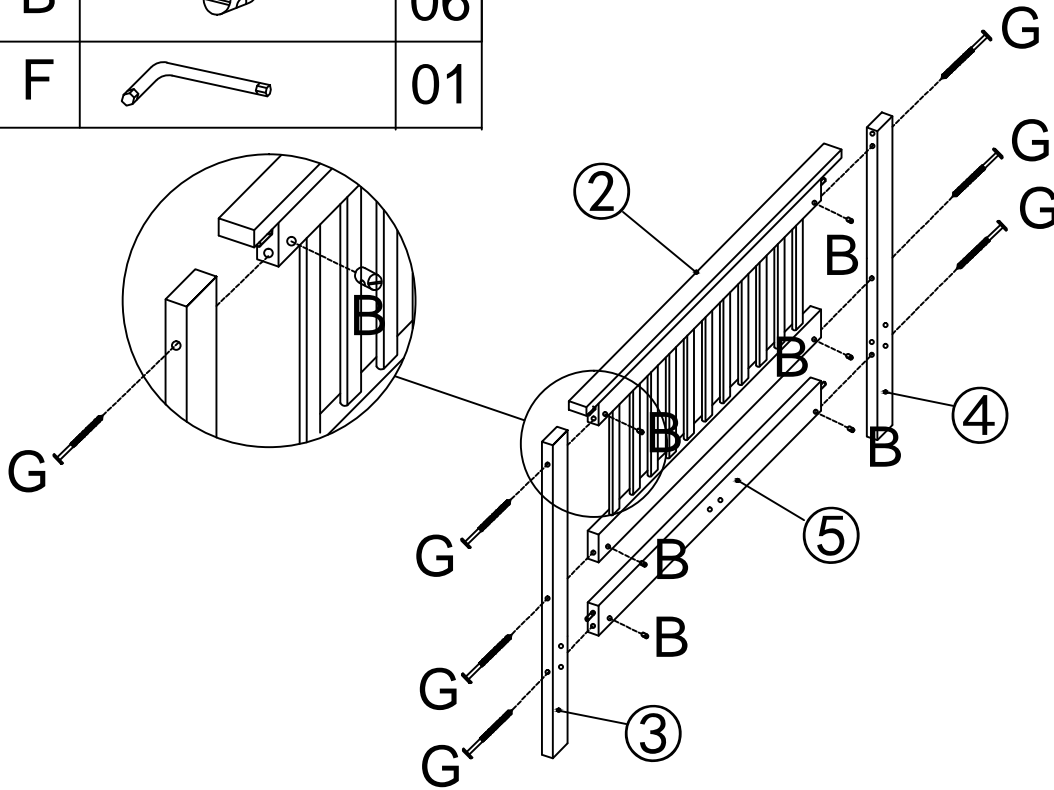
C	 Ø8X30mm	04
---	---	----

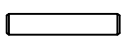

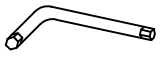
01



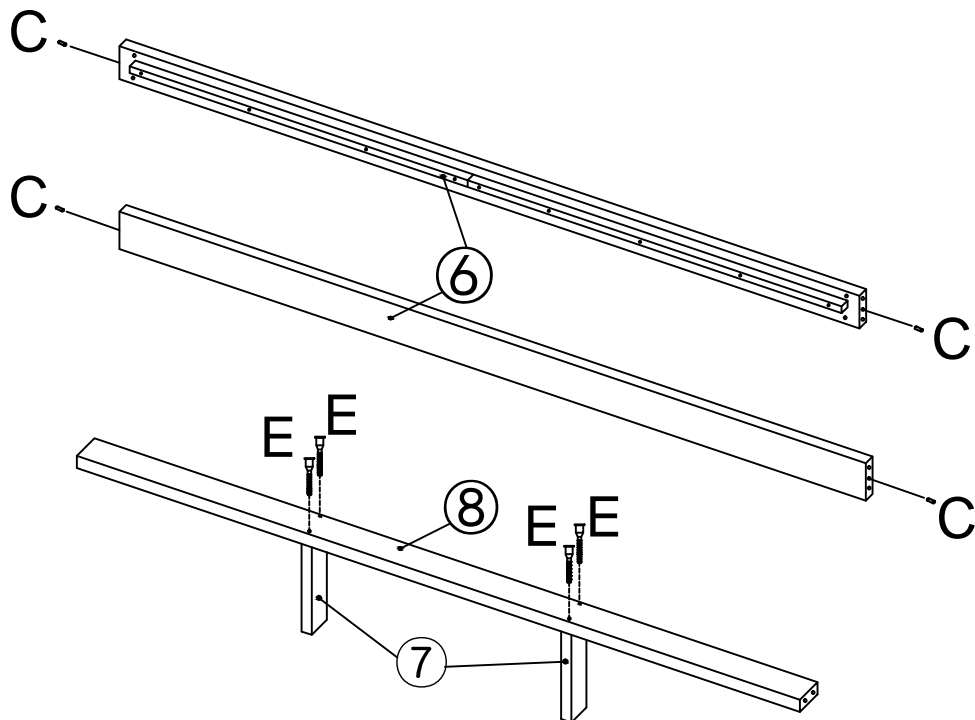
G	 M6X105mm	06
B		06
F		01





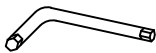
02



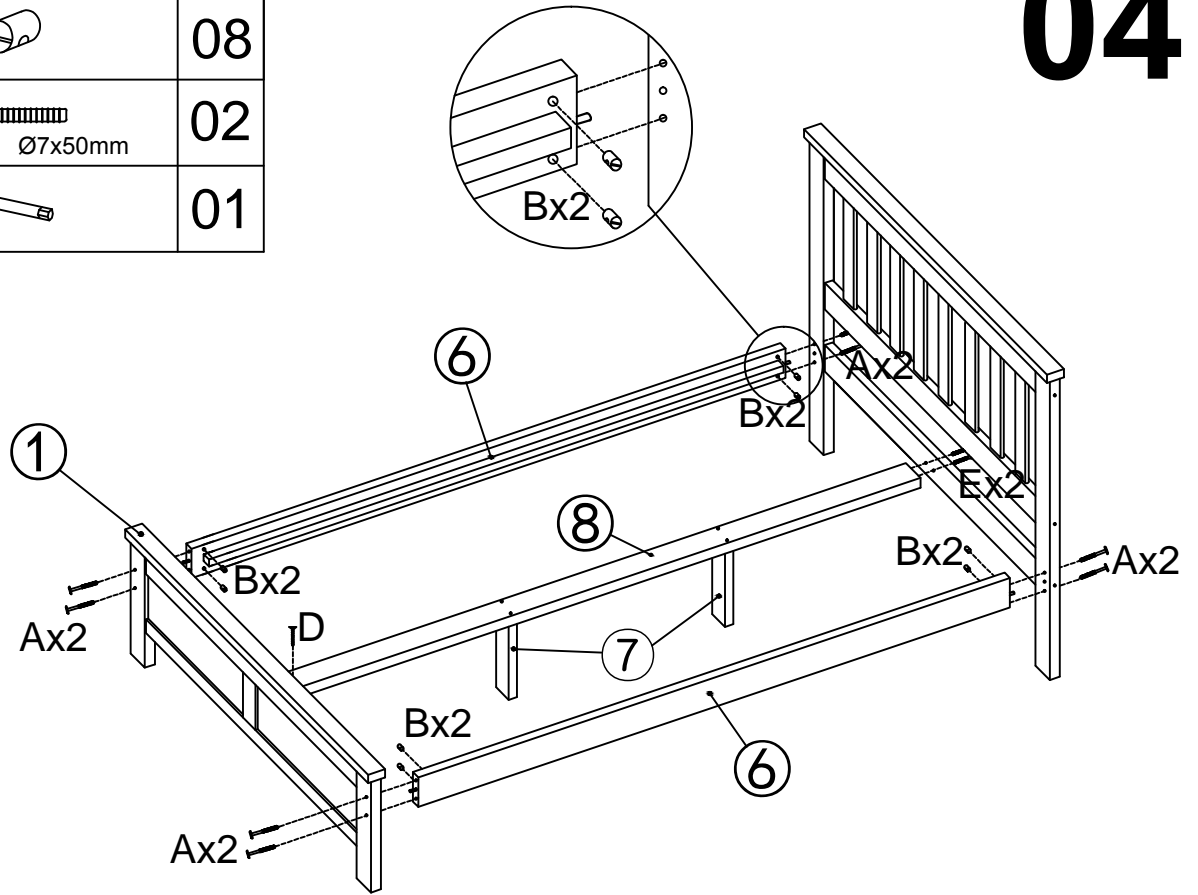
C	 Ø8X30mm	04	E	 Ø7x60mm	04
F		01			



03



A	 M6X70mm	08	D	 Ø3.5X25mm	01
B		08			
E	 Ø7x50mm	02			
F		01			

04



D	 Ø3.5X25mm	18
H	 Stopples	14

05

