

ASSEMBLY INSTRUCTION

DESCRIPTION : King Headboard/Footboard/ King Side Rails & Slats

Thank you for purchasing this quality product. Be sure to check all packing material carefully for small Hardware which may have some loose inside the carton during shipment. Identify and count all Hardware. Identify and count all Hardware and compare with the Hardware List Below.

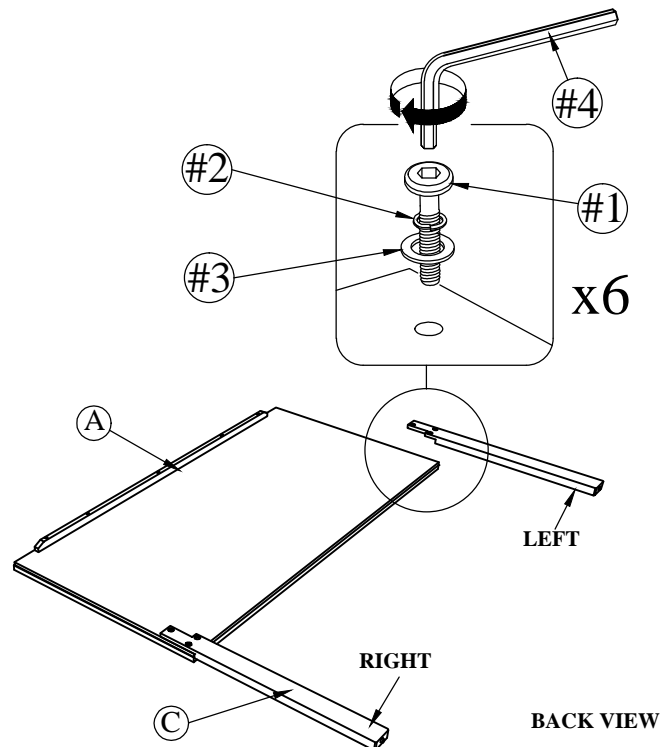
PART LIST

No	Description	Qty
A	Headboard	1 Pc
B	Footboard	1 Pc
C	Headboard Leg (L&R)	2 Pcs
D	Bed Slats	4 Pcs
E	Bed Slat Support	8 Pcs
F	Rails	2 Pcs

HEADBOARD HARDWARE LIST

No	Description	Qty
#1	JCBC Screw M6 x 30mm	6 Pcs
#2	Spring Washer 1/4" RBW	6 Pcs
#3	Flat Washer 1/4"ID x 13mmOD Blk	6 Pcs
#4	Allen Key M4 x 65mm	1 Pc
#5	Allen Key M5 x 65mm	1 Pc
#6	Screw M4 x 32mm	8 Pcs

ASSEMBLY STEP HEADBOARD



ASSEMBLY INSTRUCTION

DESCRIPTION : King Headboard/Footboard/
King Side Rails & Slats

Thank you for purchasing this quality product. Be sure to check all packing material carefully for small Hardware which may have some loose inside the carton during shipment. Identify and count all Hardware. Identify and count all Hardware and compare with the Hardware List Below.

ASSEMBLY STEP RAILS

