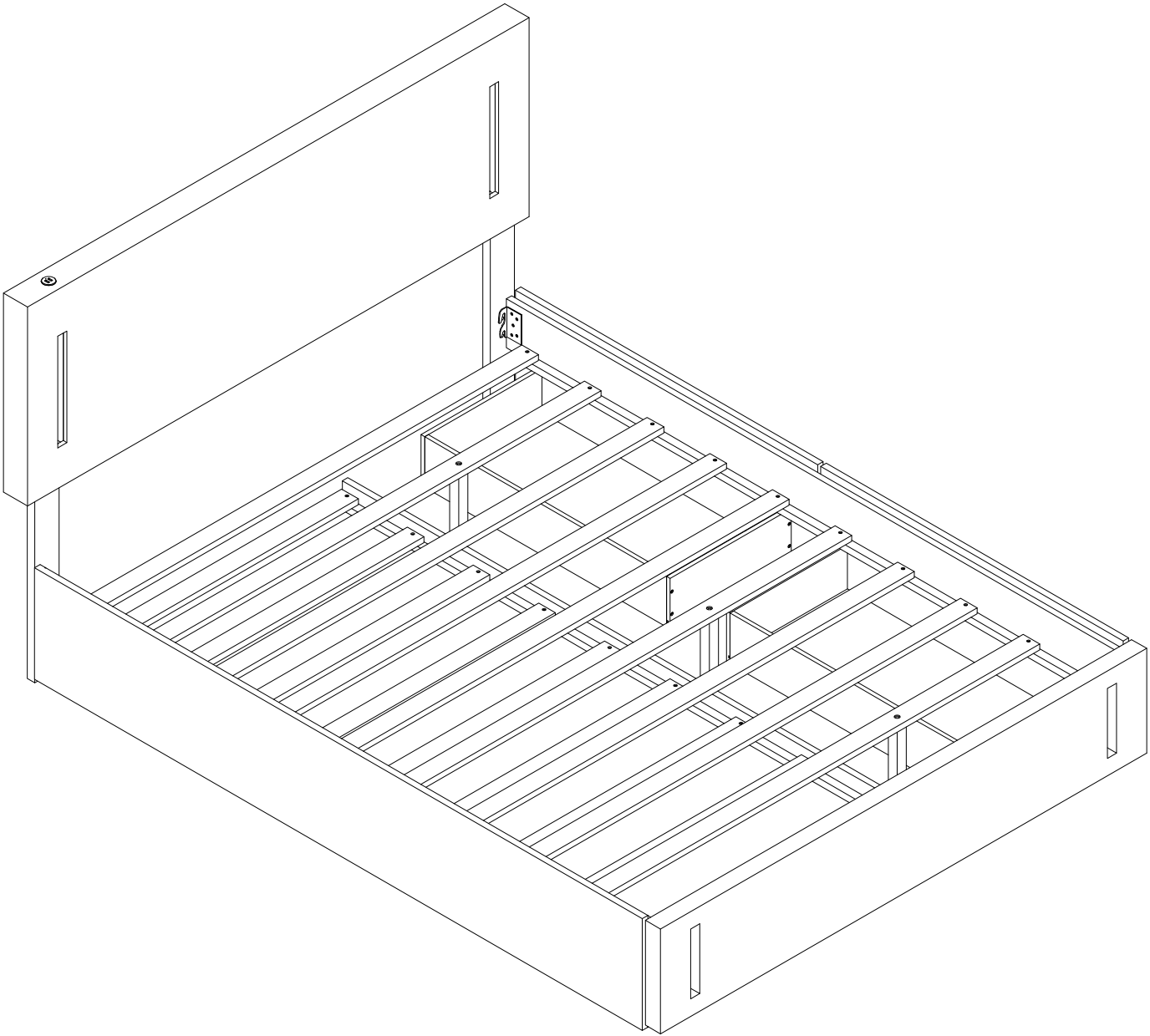
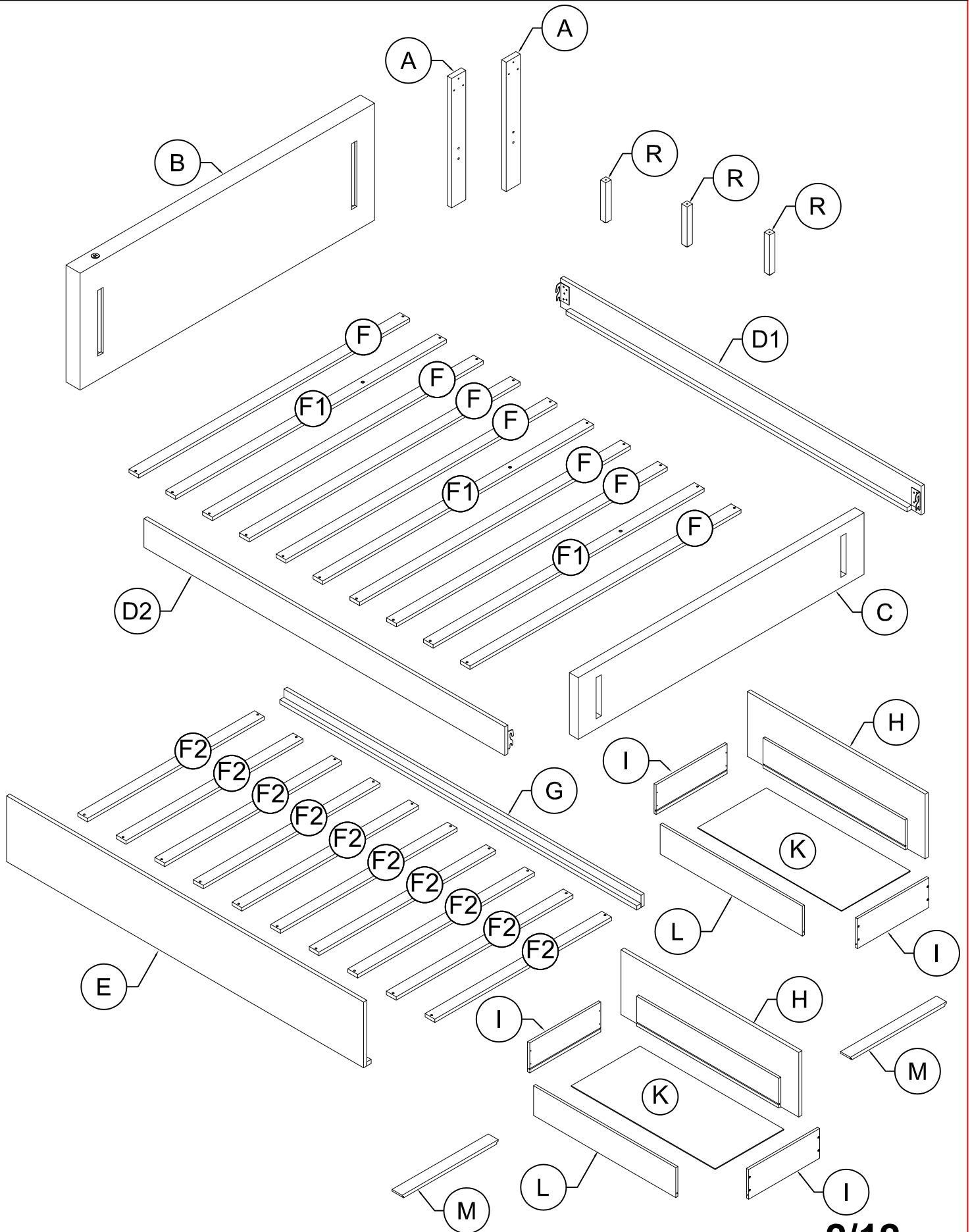


ASSEMBLY INSTRUCTION

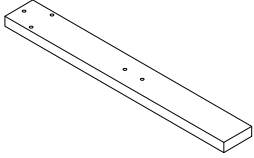
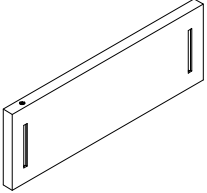
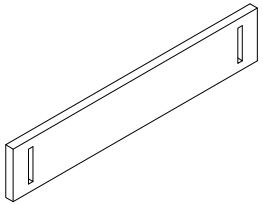
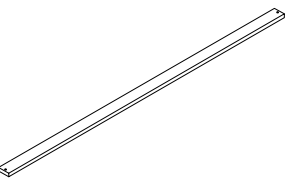
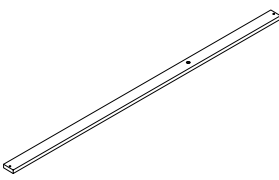

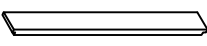
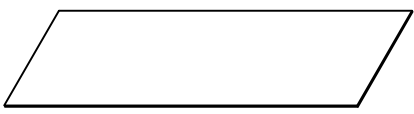
SKU CODE: (WF312901-WF312902)



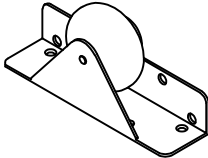
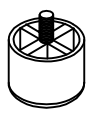

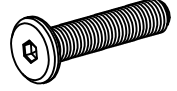
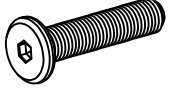
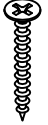

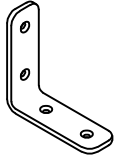
ASSEMBLY INSTRUCTION

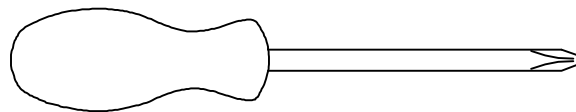


Part List (WF312901)

| | | |
|--|--|---|
| A  Leg - 2pcs | B  HB Frames - 1pc | C  FB Frames - 1pc |
| F  Slats - 7pcs | F1  Slats - 3pcs | R  Support Leg - 3pcs |
| M  Drawers - Support Bottom - 2pcs | K  Drawers - Bottom Panel - 2pcs | |

Hardware List (WF312901)

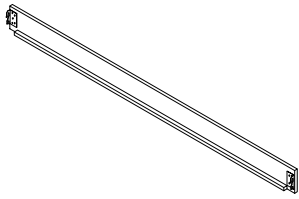
| | | |
|---|---|--|
| <p>1</p>  <p>Wheels 12pcs</p> | <p>2</p>  <p>Plastic Feet(Ø50x40) 2pcs</p> | <p>3</p>  <p>Allen Key 1pcs</p> |
| <p>4</p>  <p>1/4" x 35mm Hex-Head bolts 9pcs</p> | <p>5</p>  <p>1/4" x 25mm Hex-Head bolts 8pcs</p> | <p>6</p>  <p>M4 x 30 mm Wood Screws 56pcs</p> |
| <p>7</p>  <p>M4 x 15 mm Wood Screws 44pcs</p> | <p>8</p>  <p>Steel Bracket 3pcs</p> | |



Assembly Tools Required (Not Included)

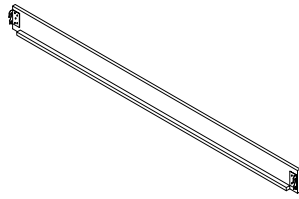
Part List (WF312902)

D1



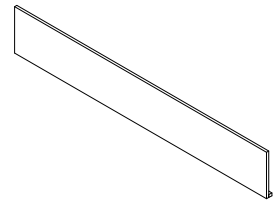
Side Rails - 1pc

D2



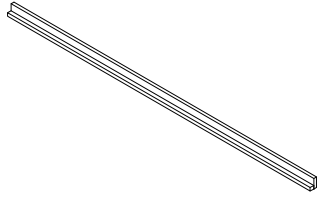
Side Rails - 1pc

E



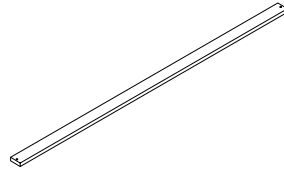
Front Trundle - 1pc

E



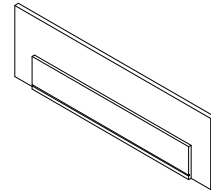
Back Trundle - 1pc

F2



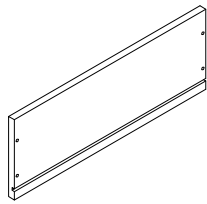
Slats - 10pcs

H



Drawers - Font Panel - 2pcs

I



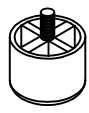
Drawers - Side Panel - 4pcs

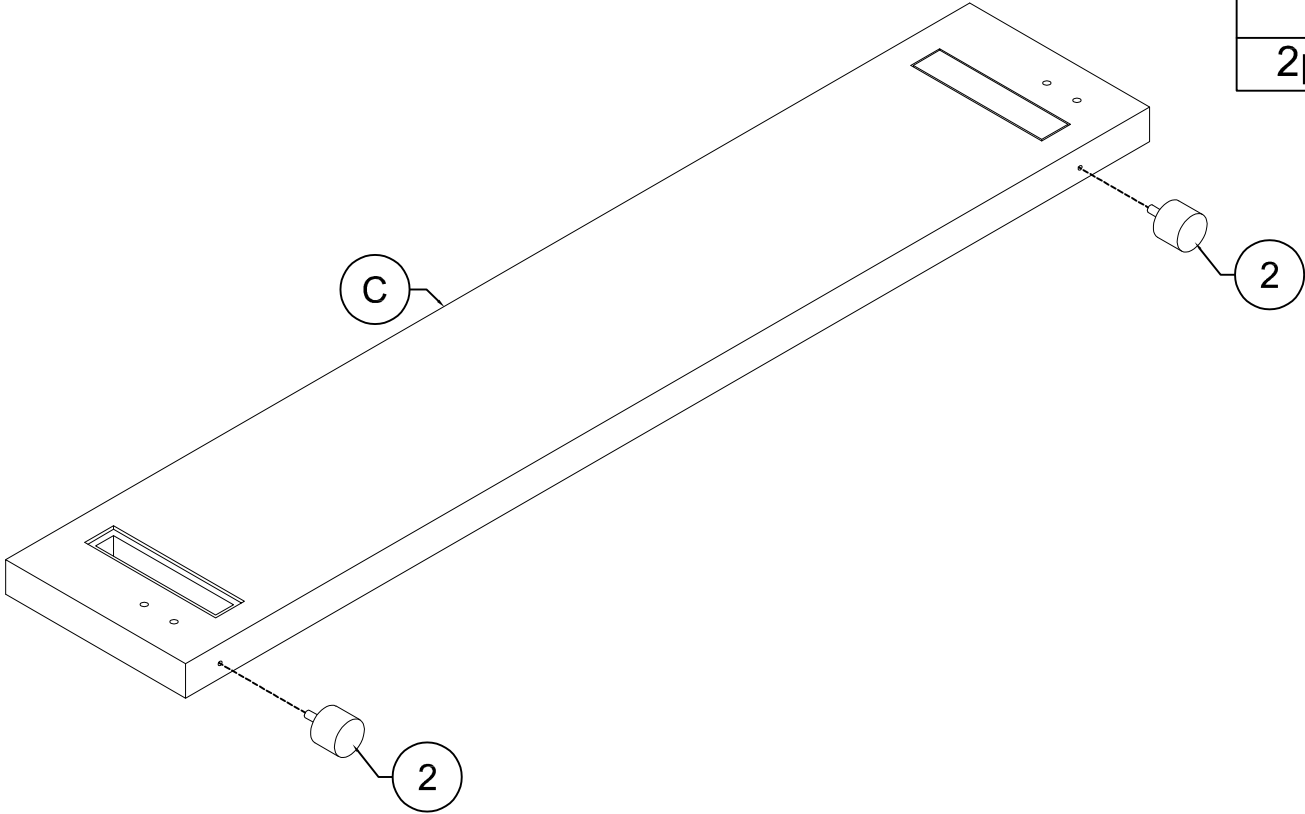
L




Drawers - Back Panel - 2pcs

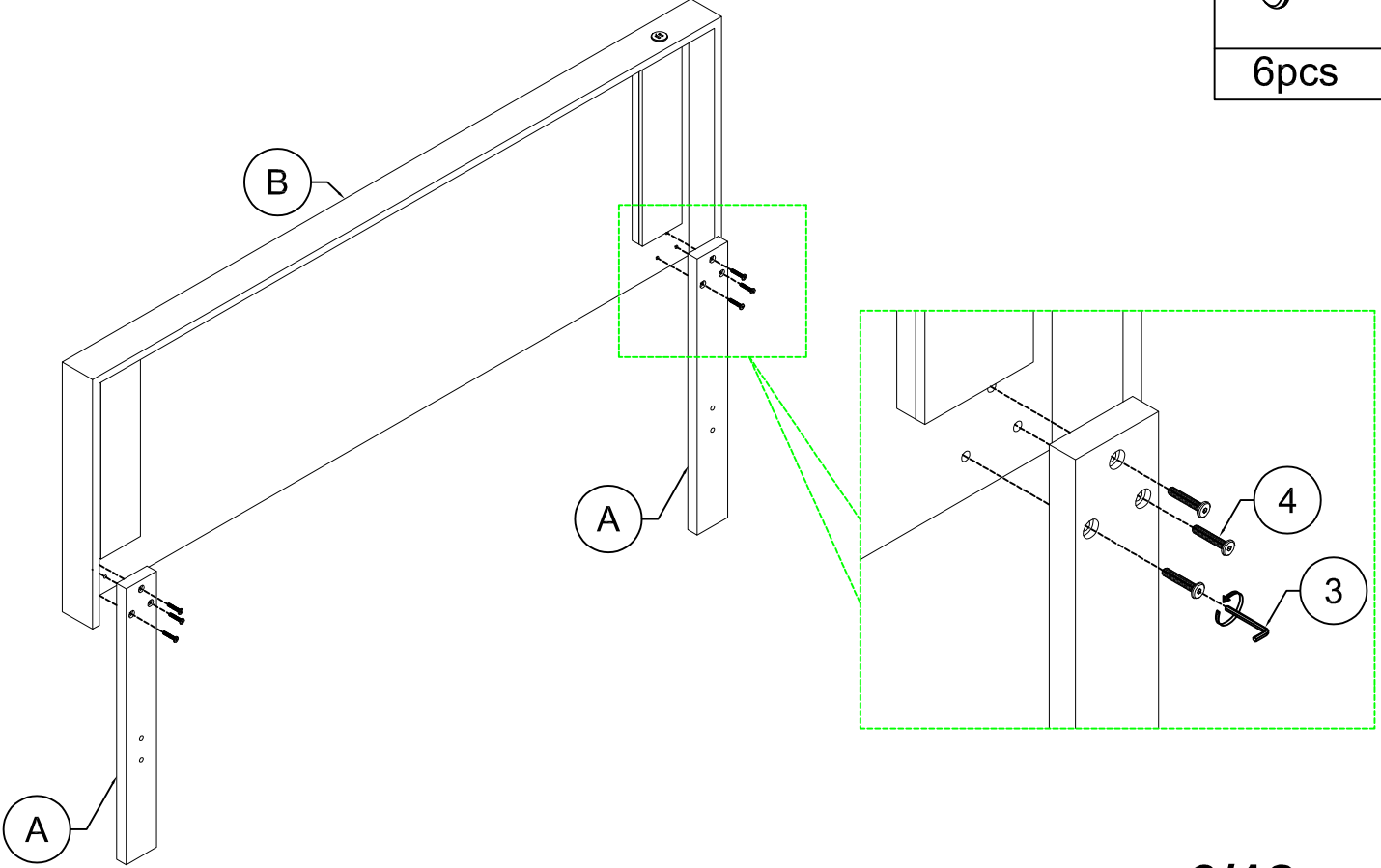
STEP 1: Following below illustration:

| |
|--|
| 2 |
|  |
| 2pcs |




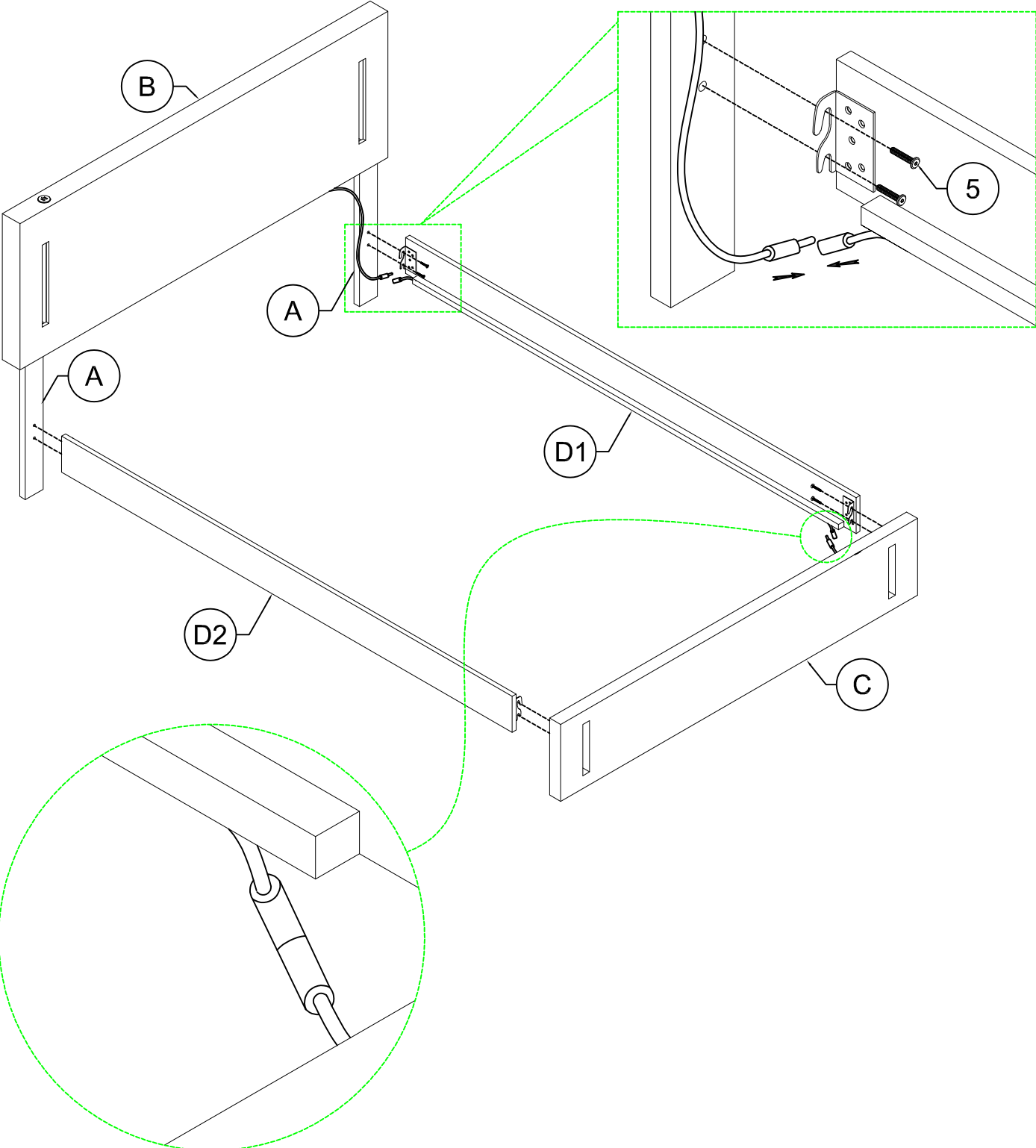
STEP 2: Following below illustration:

| |
|---|
| 4 |
|  |
| 6pcs |


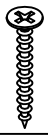


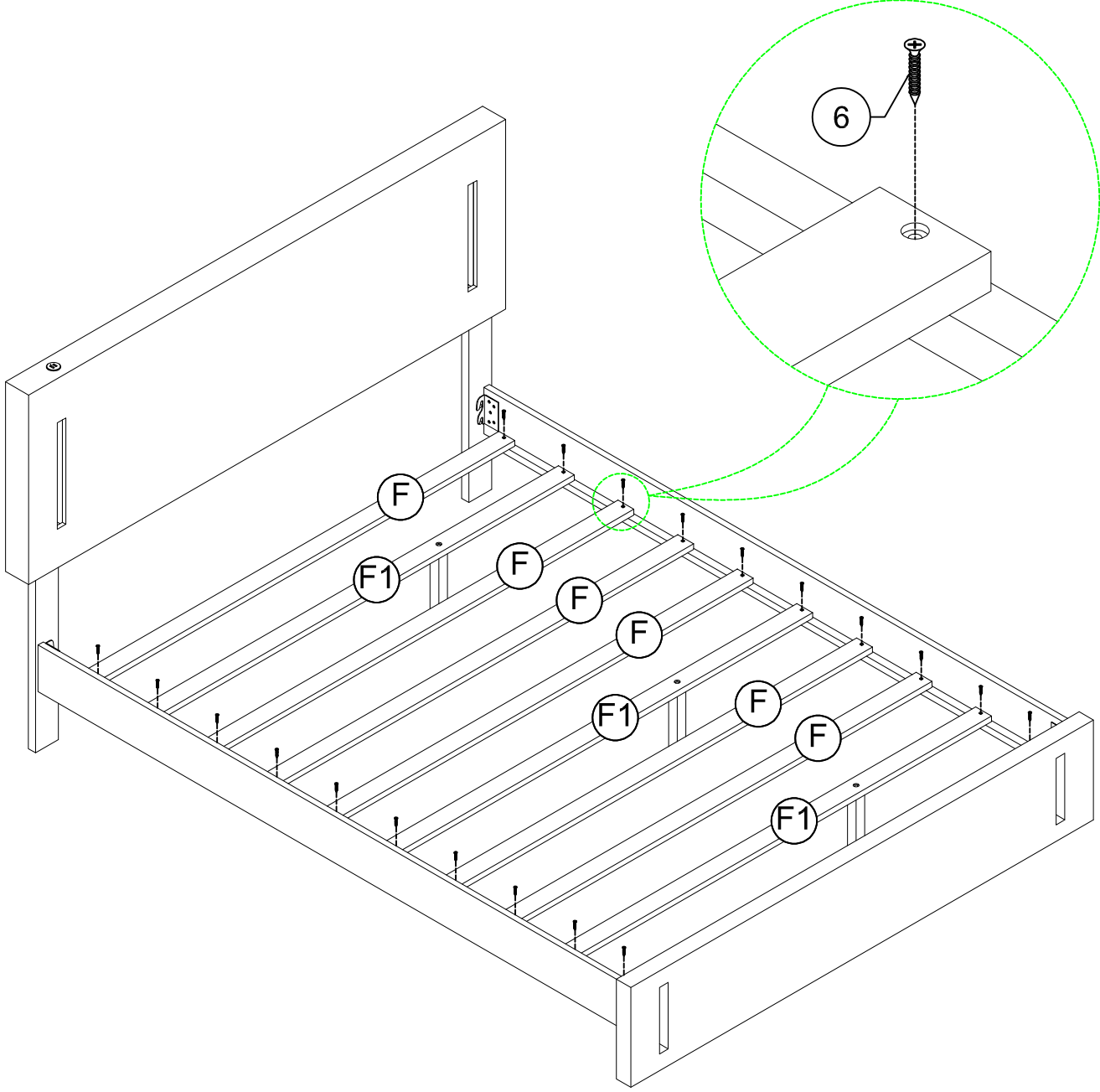
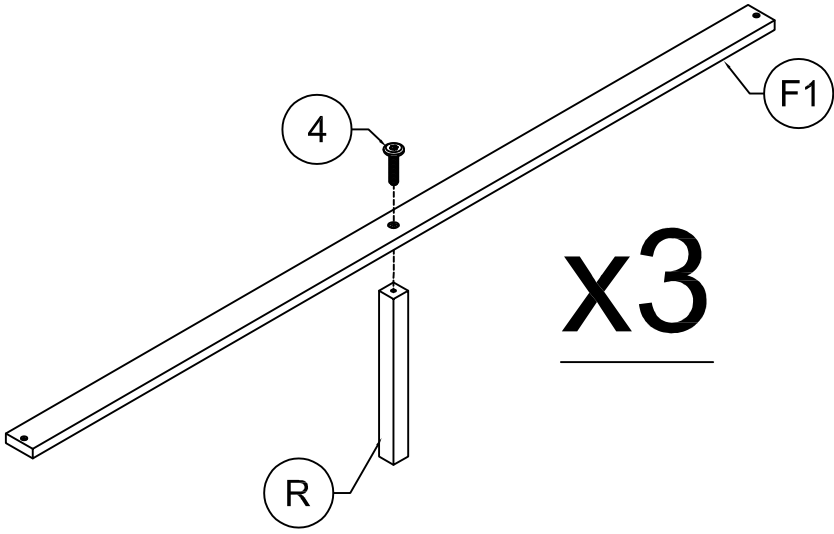
STEP 3: Following below illustration:

| |
|---|
| 5 |
|  |
| 8pcs |


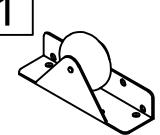


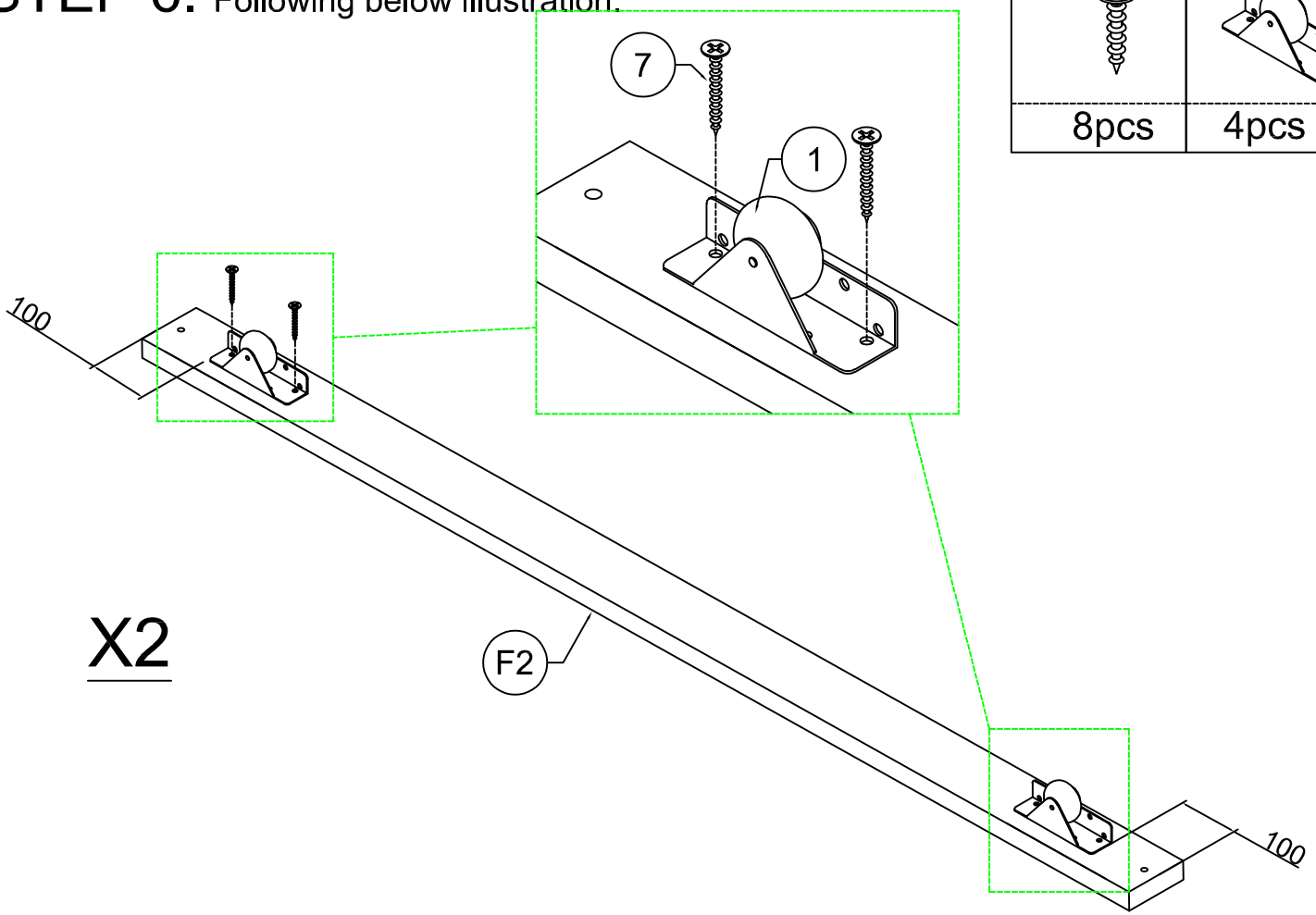
STEP 5: Following below illustration:

| | |
|---|--|
| 4 | 6 |
|  |  |
| 3pcs | 20pcs |





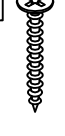
STEP 6: Following below illustration:

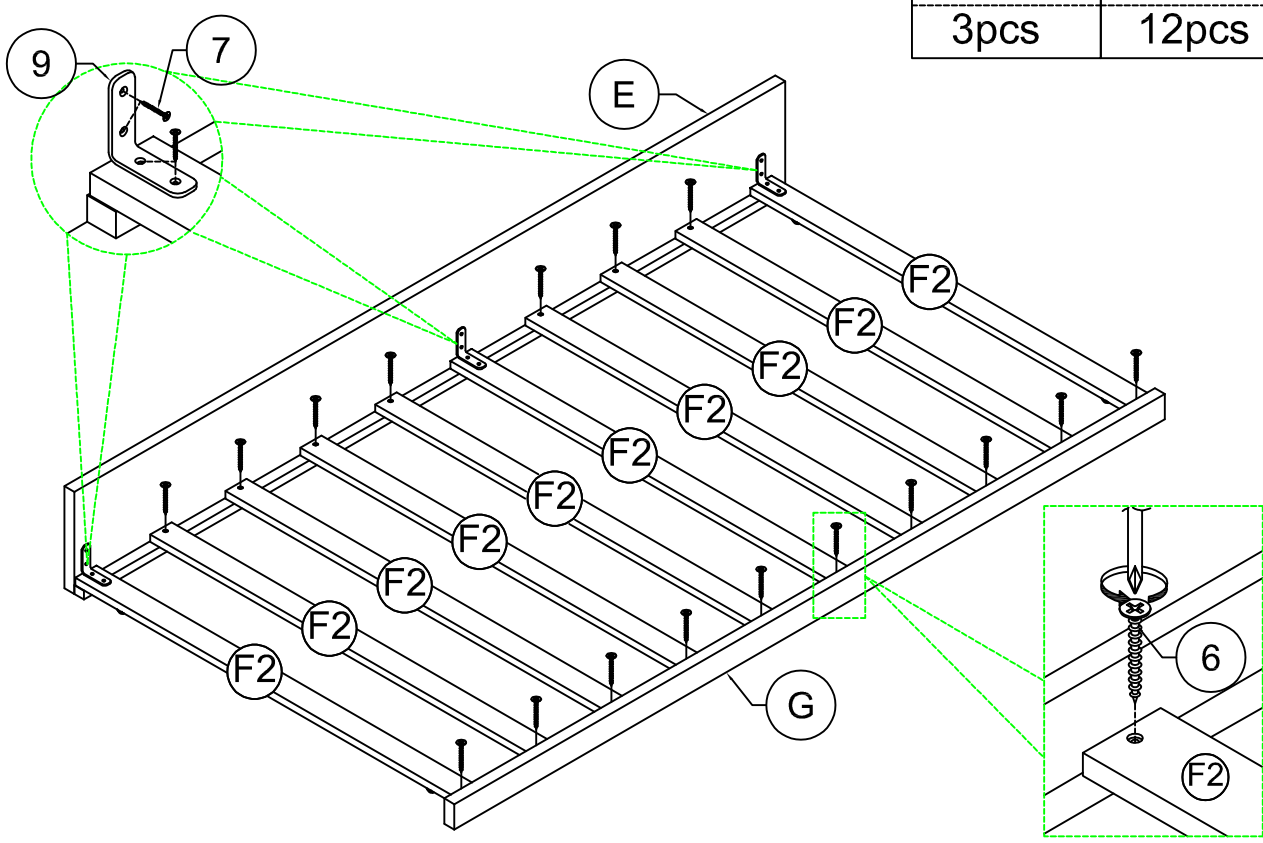
| | | | |
|------|--|------|--|
| 7 |  | 1 |  |
| 8pcs | | 4pcs | |



X2

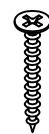
STEP 6-1: Following below illustration:

| | | | | | |
|------|---|-------|---|-------|---|
| 8 |  | 7 |  | 6 |  |
| 3pcs | | 12pcs | | 20pcs | |



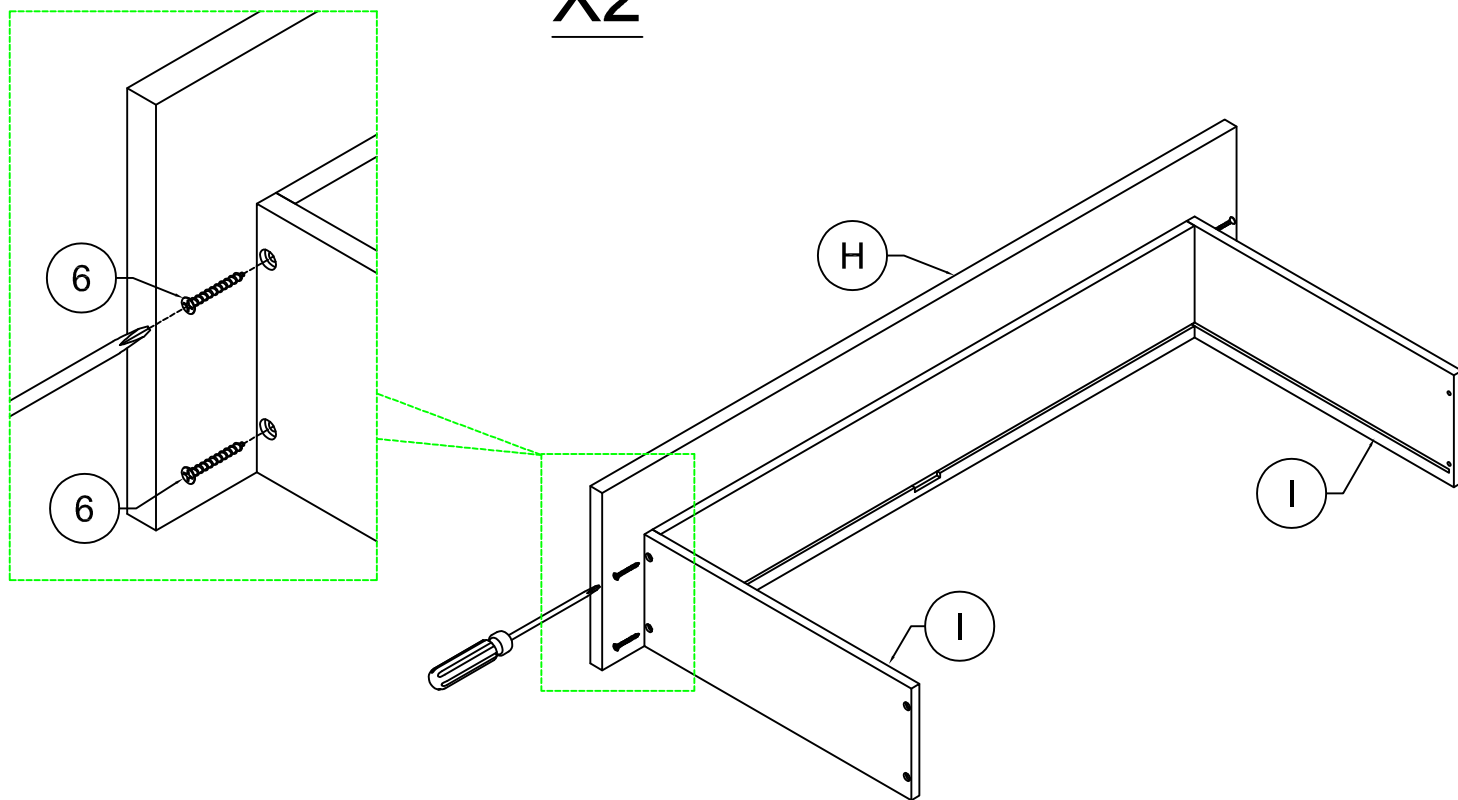
STEP 7: Following below illustration:

6



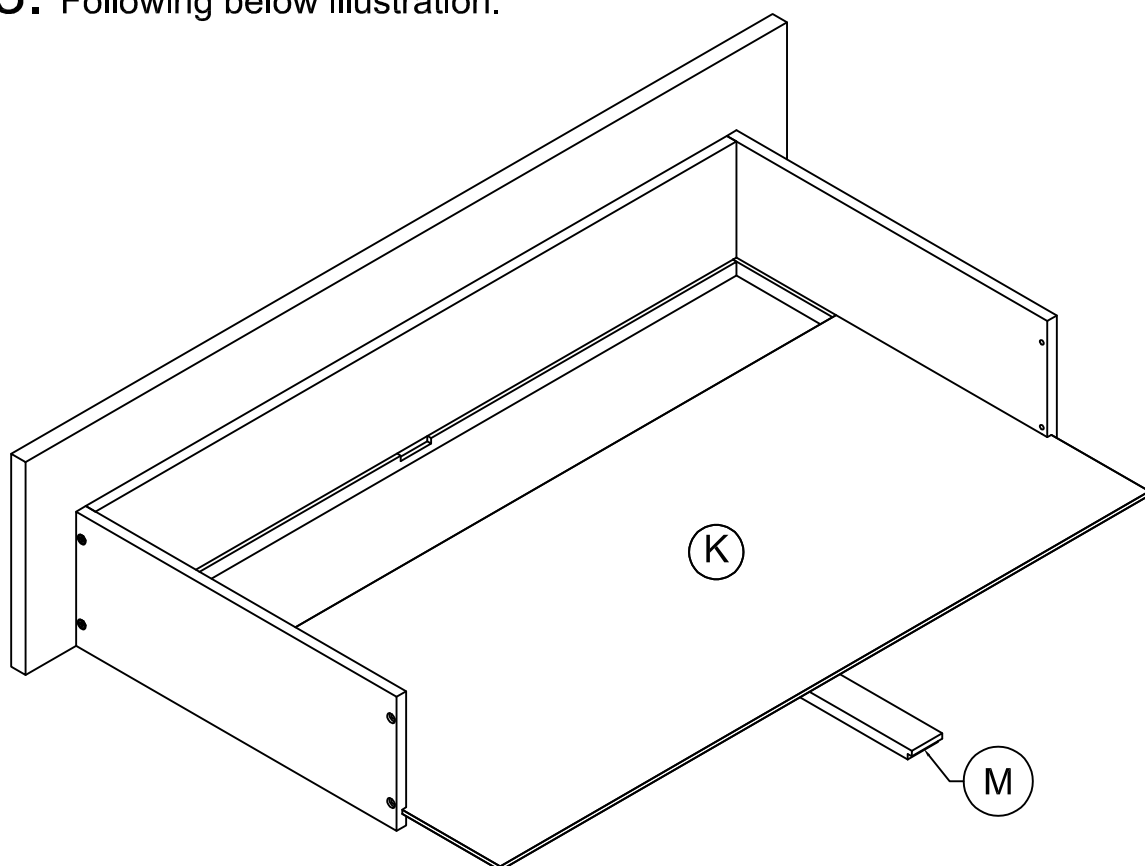
8pcs

X2



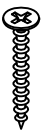
STEP 8: Following below illustration:

X2



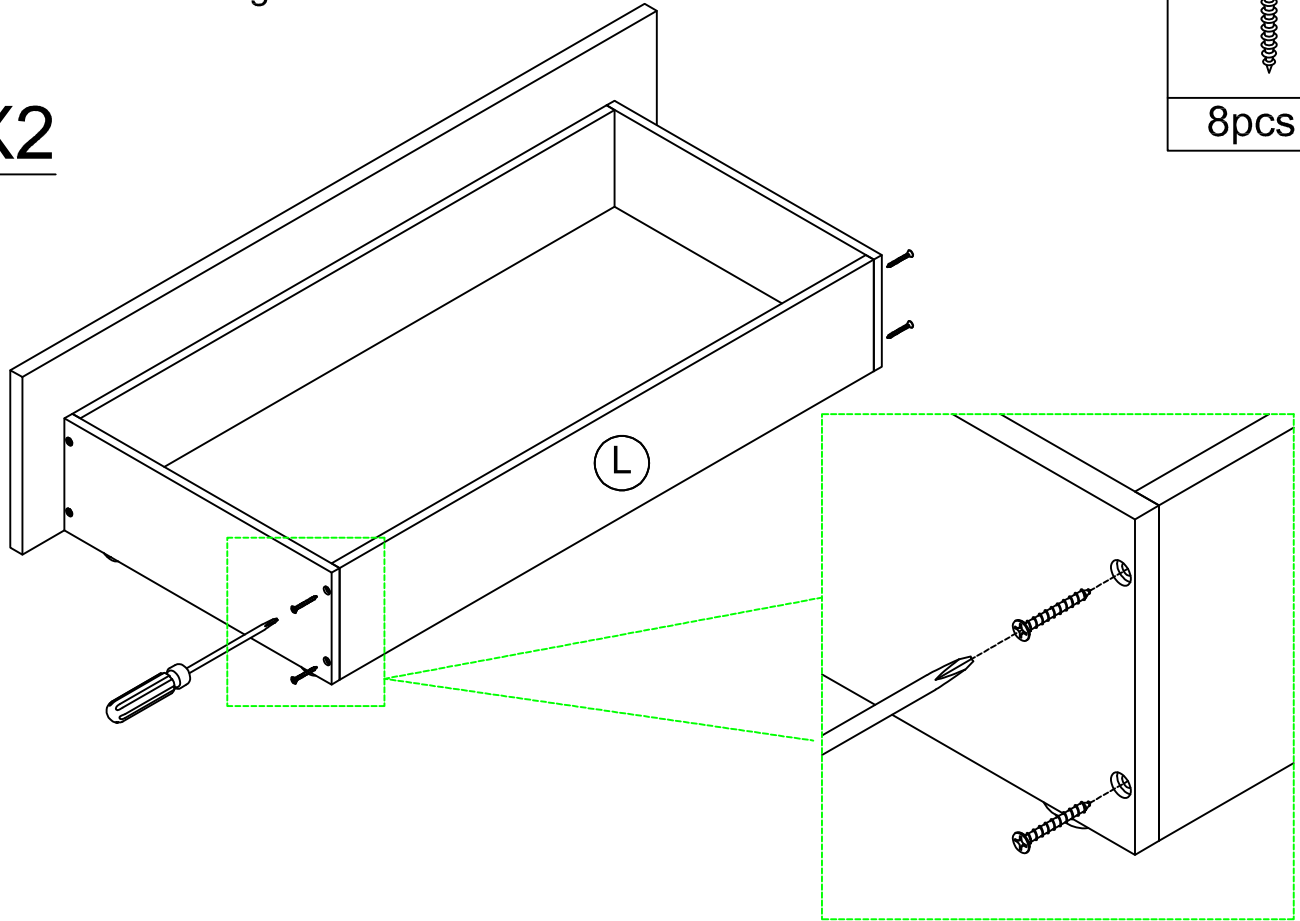
STEP 9: Following below illustration:

6



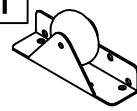
8pcs

X2



STEP 10: Following below illustration:

1



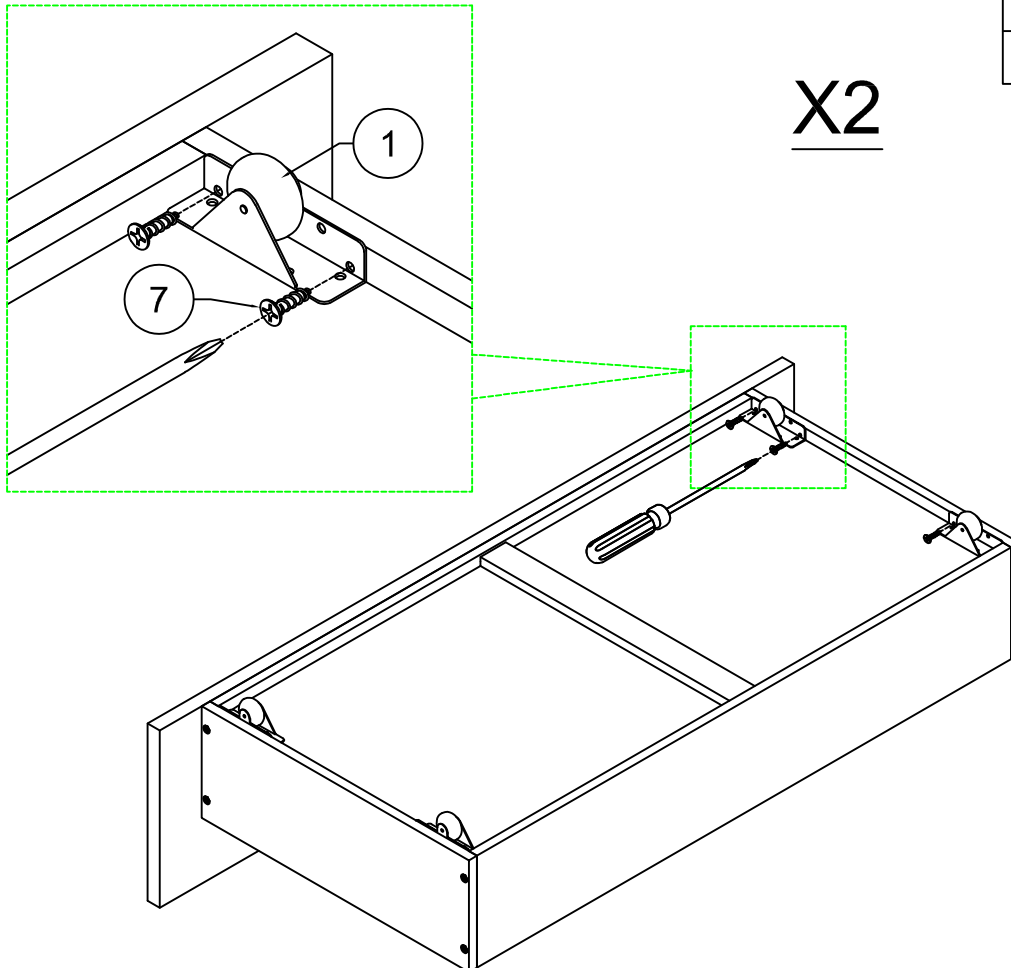
8pcs

7



16pcs

X2



FINISH

