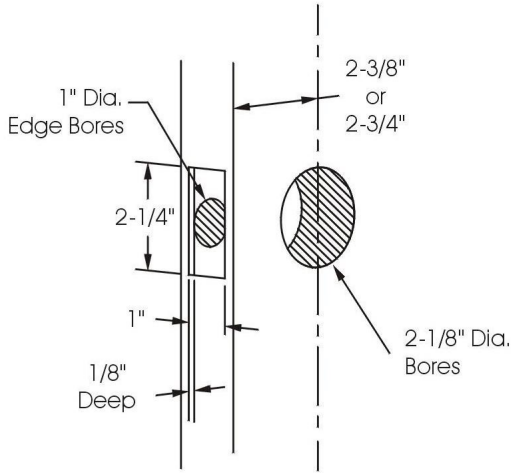
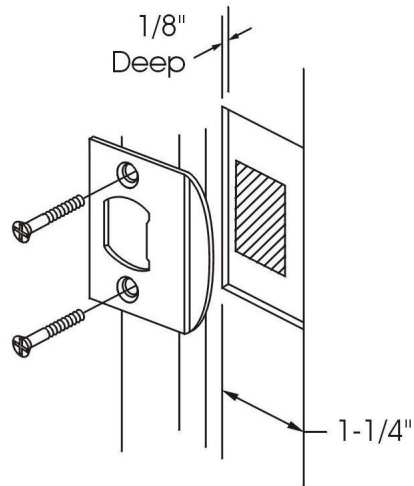


# Slickrock/Sandstone Privacy/Passage Installation Instructions

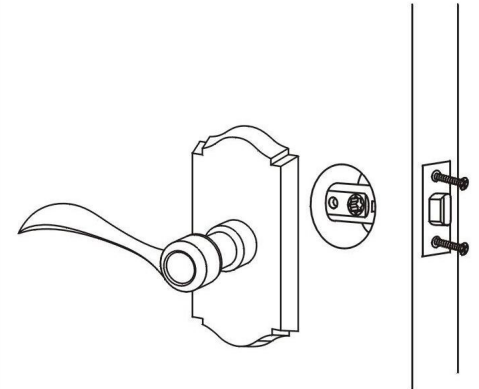
## Door Prep - Active Lock



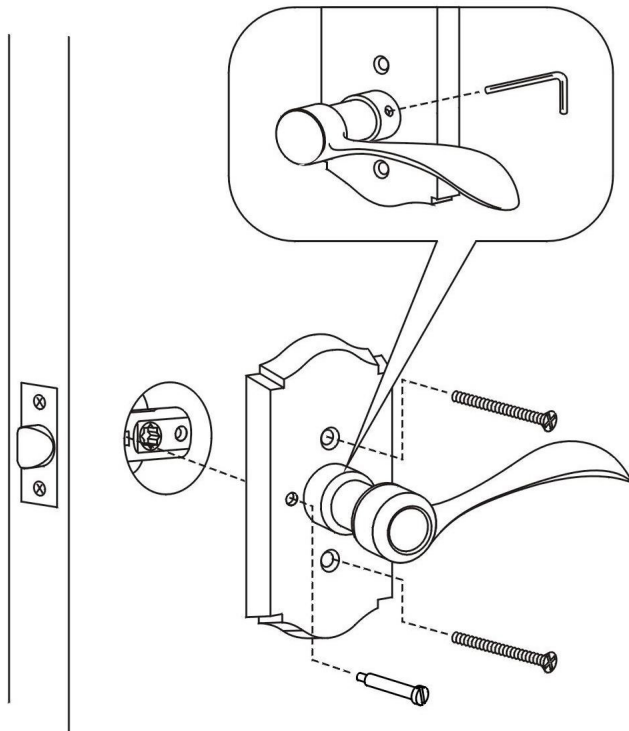
## Door Jamb For Active Locks



## Outside Trim

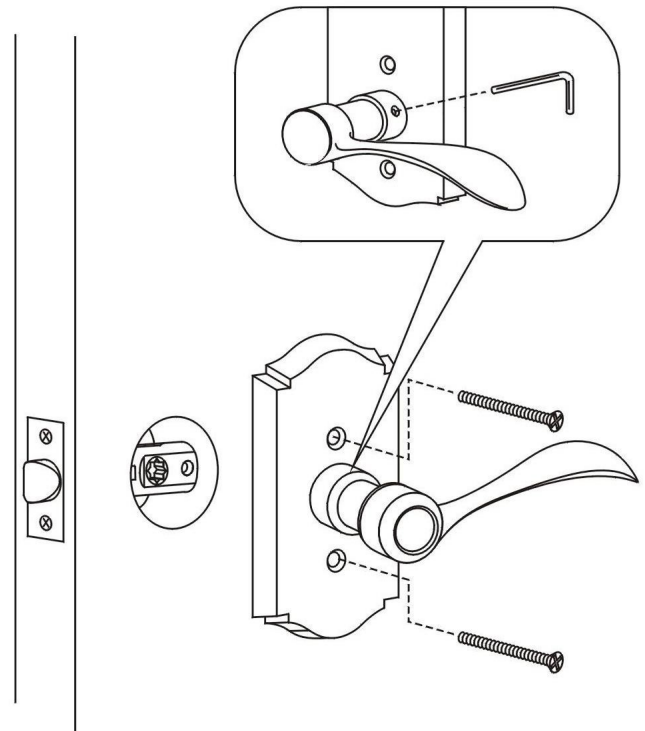


## Inside Trim -- For Privacy



Use Allen Wrench to Tighten Screw

## Inside Trim -- For Passage



Use Allen Wrench to Tighten Screw