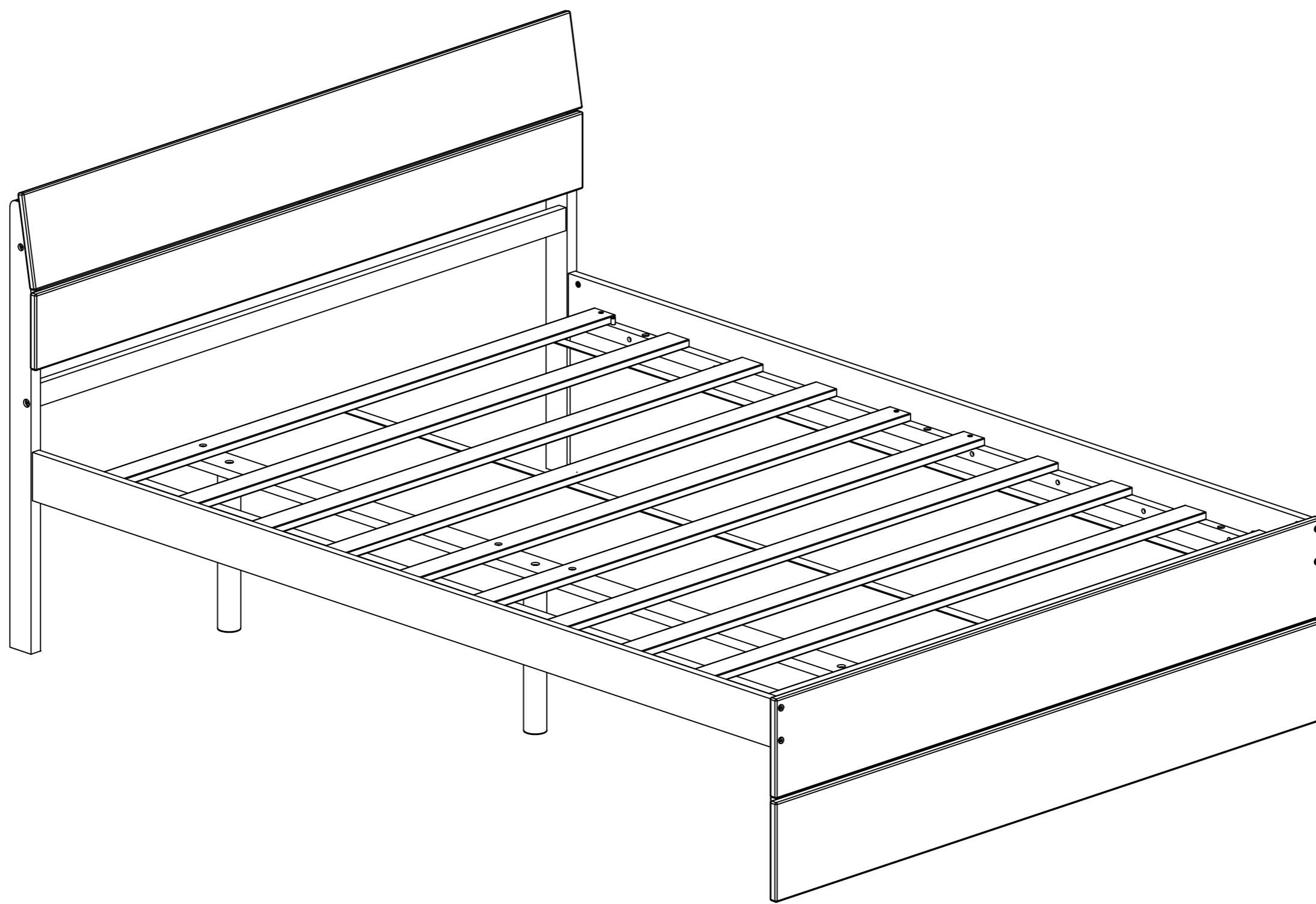
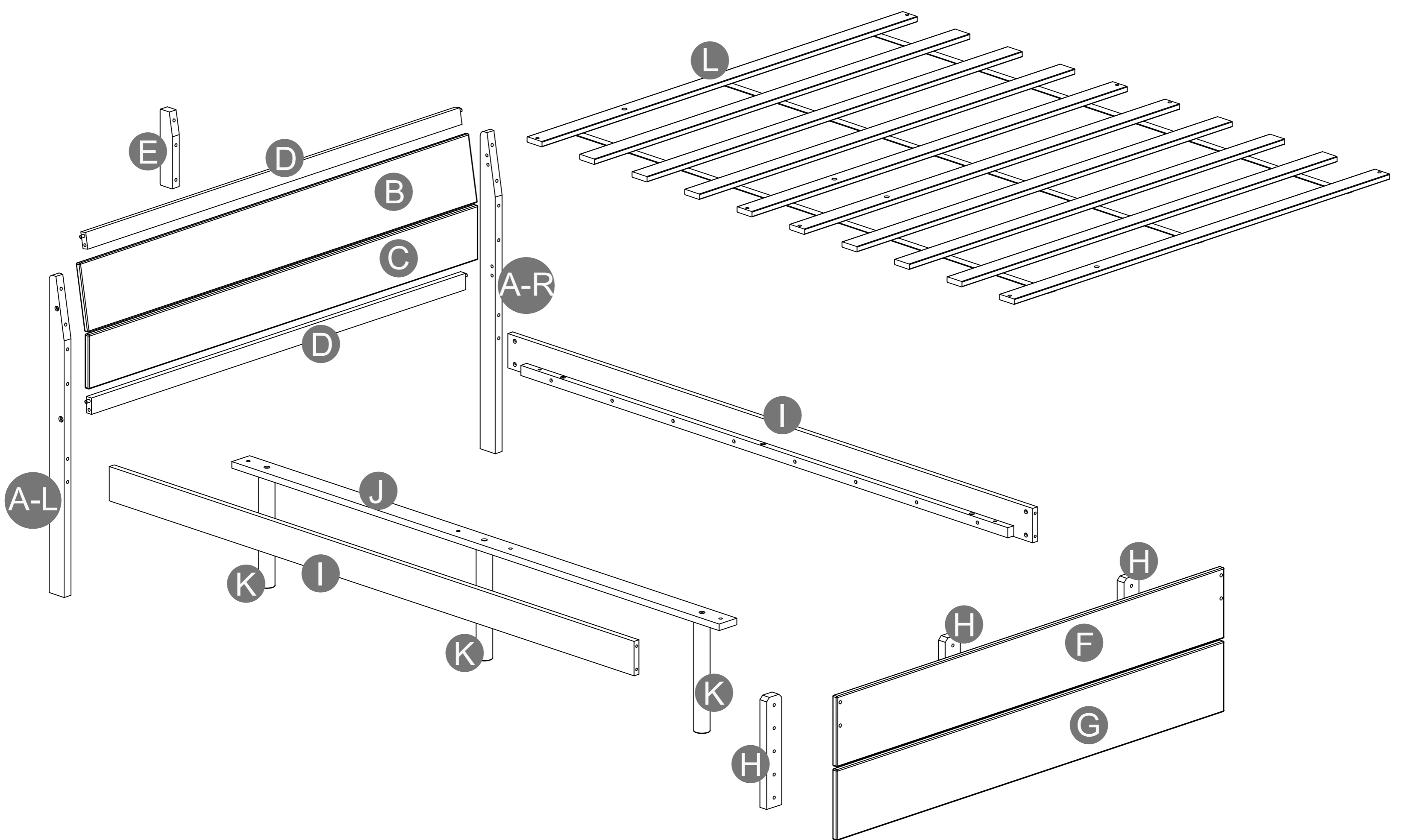


ASSEMBLY INSTRUCTIONS

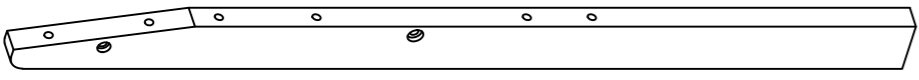
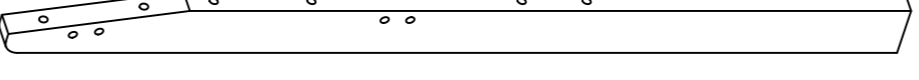
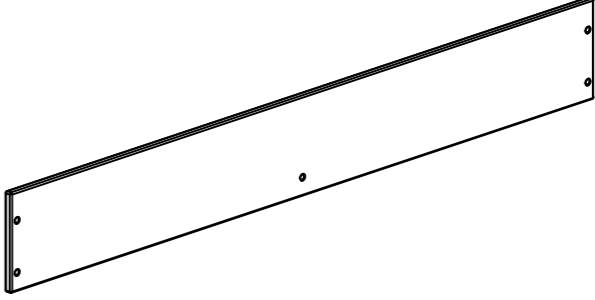
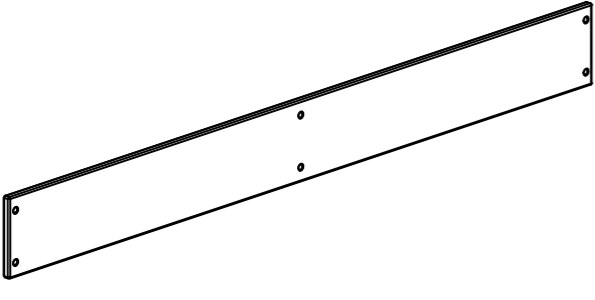
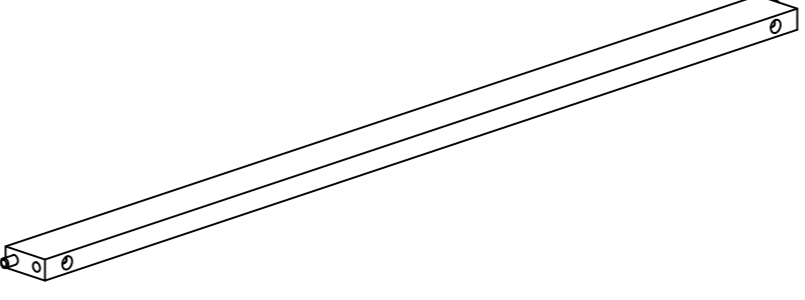

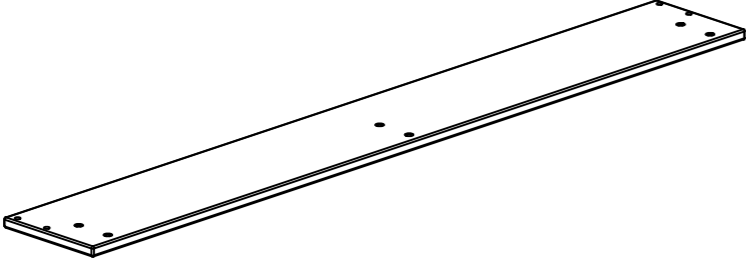
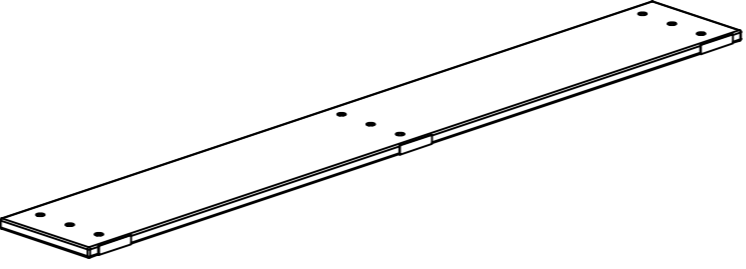


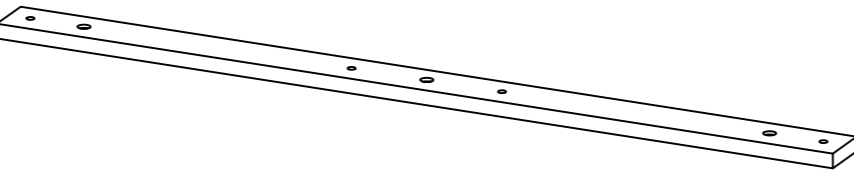
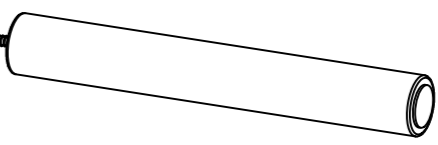
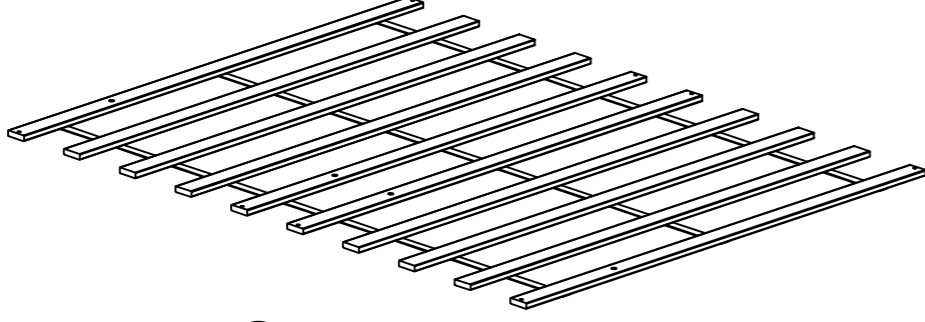
High gloss full bed with trundle and 2 drawers



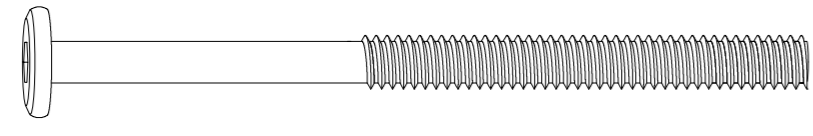
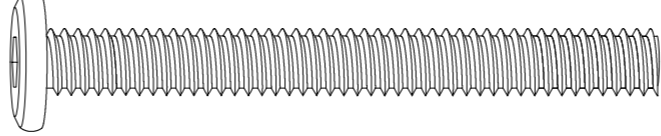
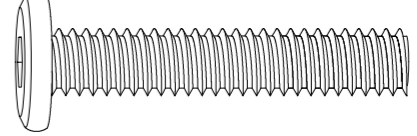
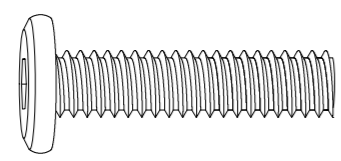
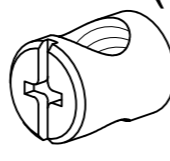
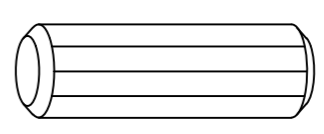
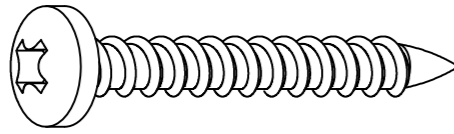
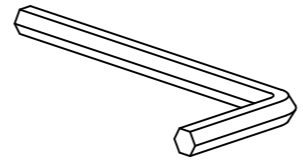
Detail View



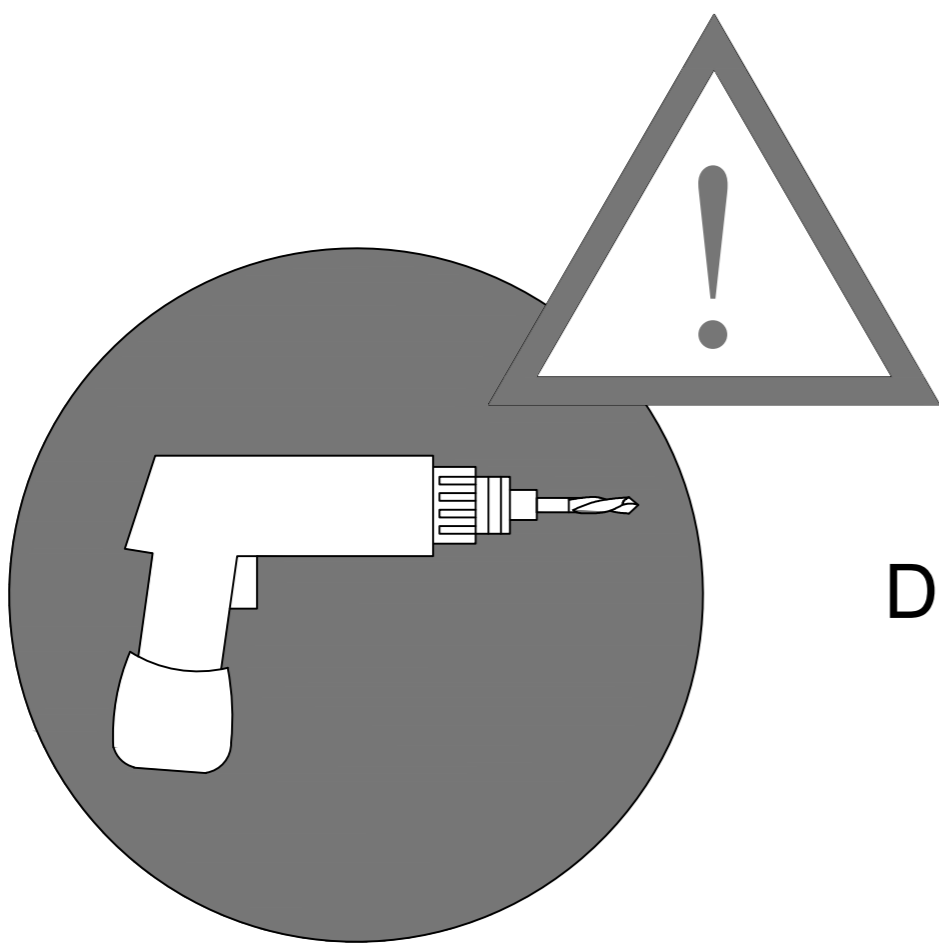
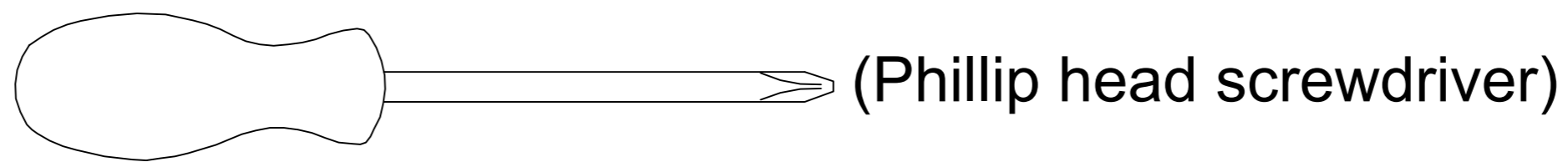
Part List

<p>A-L</p>  <p>Headboard leg (Left)-1pc</p>	<p>A-R</p>  <p>Headboard leg (Right)-1pc</p>	<p>B</p>  <p>Horizontal upper Panel HB-1pc</p>
<p>C</p>  <p>Horizontal bottom Panel HB-1pc</p>	<p>D</p>  <p>Horizontal bar HB-2pcs</p>	<p>E</p>  <p>Vertical support bar HB-1pc</p>
<p>F</p>  <p>Horizontal upper Panel FB-1pc</p>	<p>G</p>  <p>Horizontal bottom Panel FB-1pc</p>	<p>H</p>  <p>Vertical support bar FB-3pcs</p>
<p>I</p>  <p>Side rail-2pcs</p>	<p>J</p>  <p>Support bar Round legs -1pc</p>	<p>K</p>  <p>Round legs -3pcs</p>
<p>L</p>  <p>Slat-10pcs</p>		

Hardware List

1  (Ø12)1/4"*85mm Hex-Head bolts (4pcs)	2 (Spare Hardware-1pc)  (Ø12)1/4"*55mm Hex-Head bolts (9pcs)	3 (Spare Hardware-2pcs)  (Ø12)1/4"*32mm Hex-Head bolts (28pcs)
4  (Ø12)1/4"*25mm Hex-Head bolts (4pcs)	5 (Spare Hardware-1pc)  1/4"*15mm Horizontal-Hole bolts(13pcs)	6  Ø8*25mm Wood dowel (4pcs)
7 (Spare Hardware-1pc)  Ø4*25mm Wood screws (9 pcs)	8  (1/4")4*60mm Allen key (1pc)	

ASSEMBLY TOOLS REQUIRED (NOT INCLUDED)

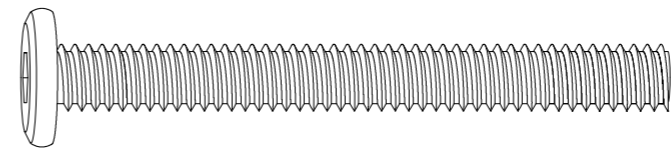


DO NOT USE POWER TOOLS TO ASSEMBLE THIS PRODUCT !

Remark: We recommend you assemble your bed in the flat ground.

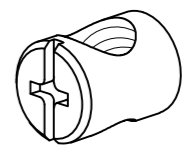
STEP 1:

2

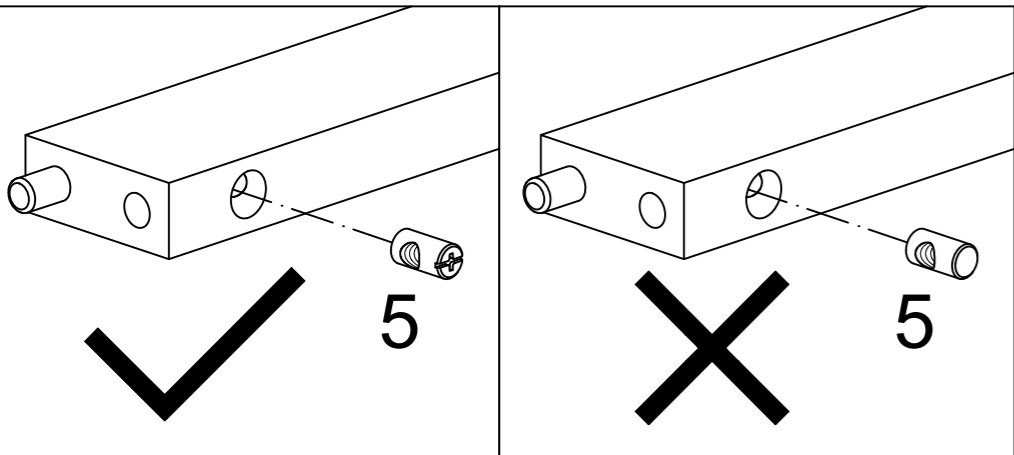
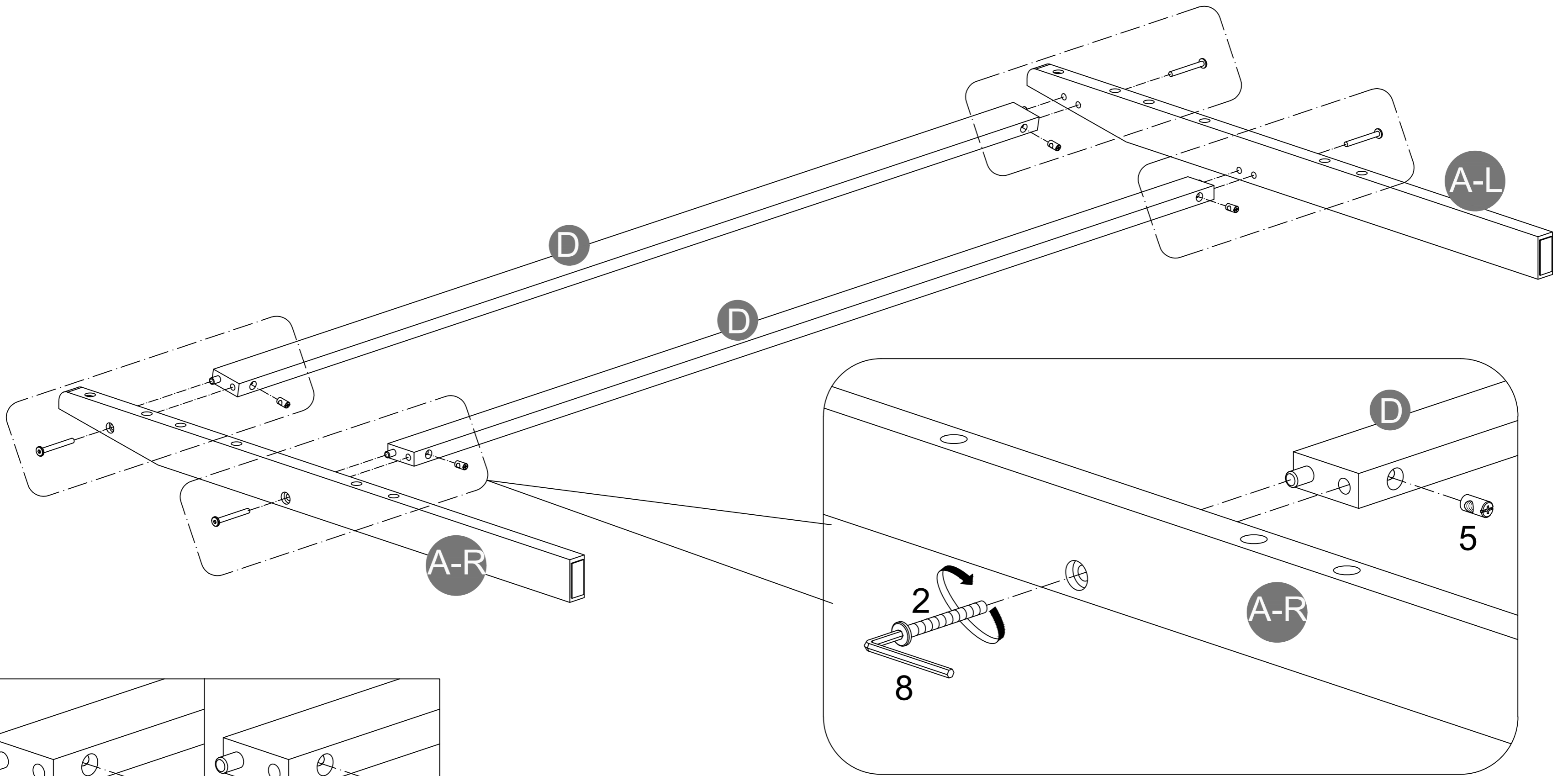


4pcs

5



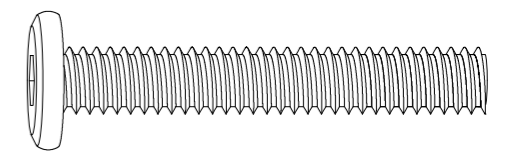
4pcs



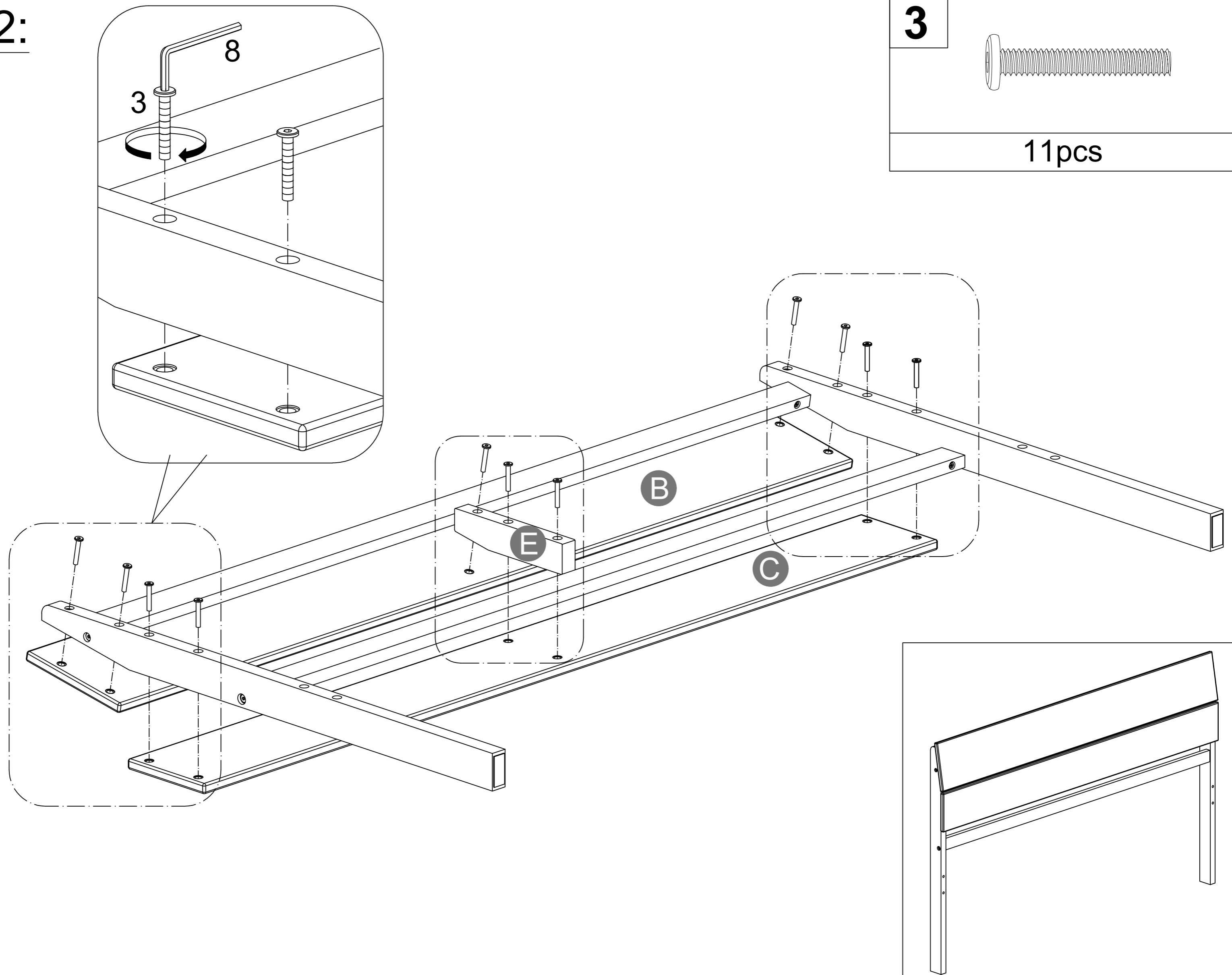
Note: Part 5 will face up with the "x" mark on it, otherwise it cannot be tightened

STEP 2:

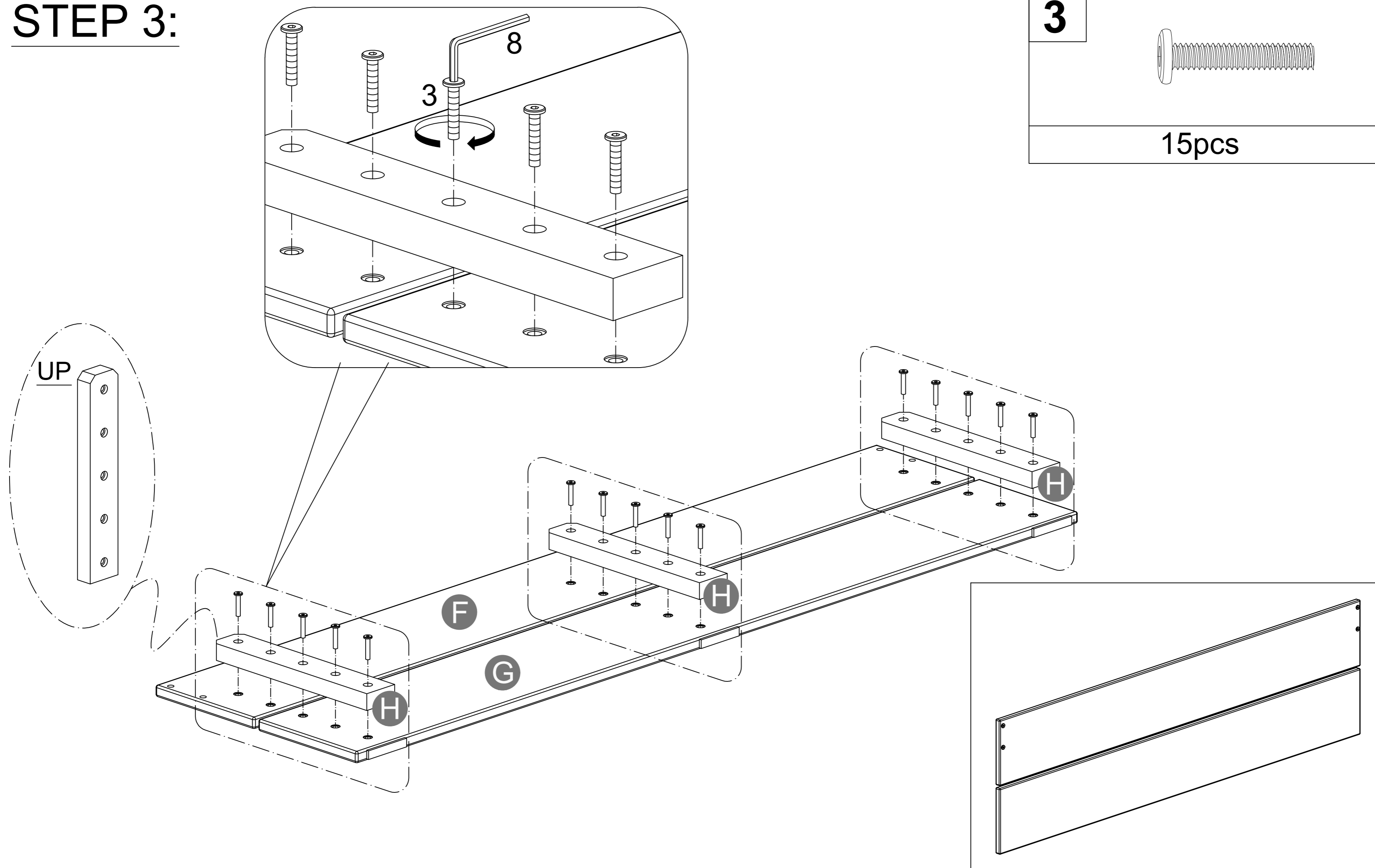
3



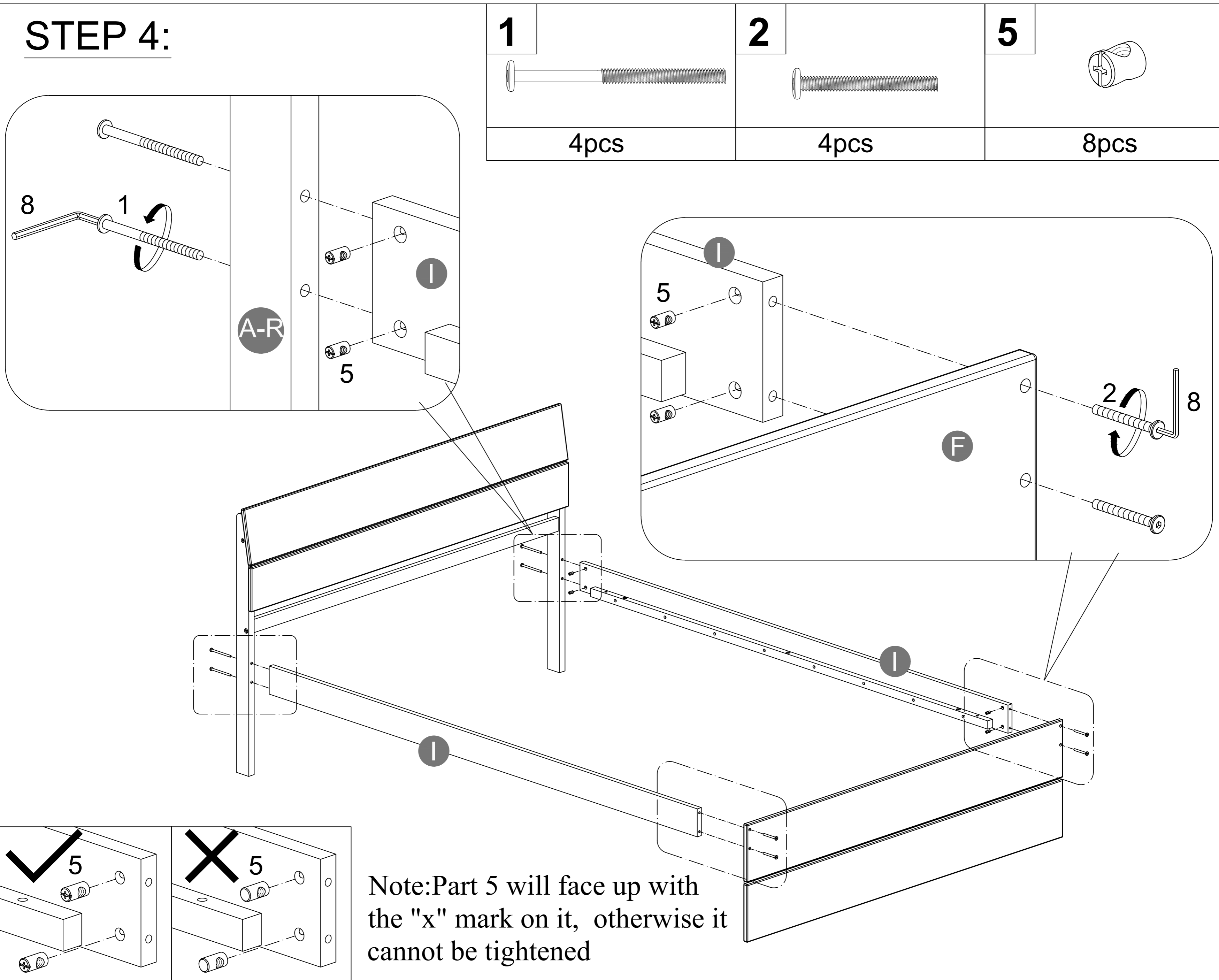
11pcs



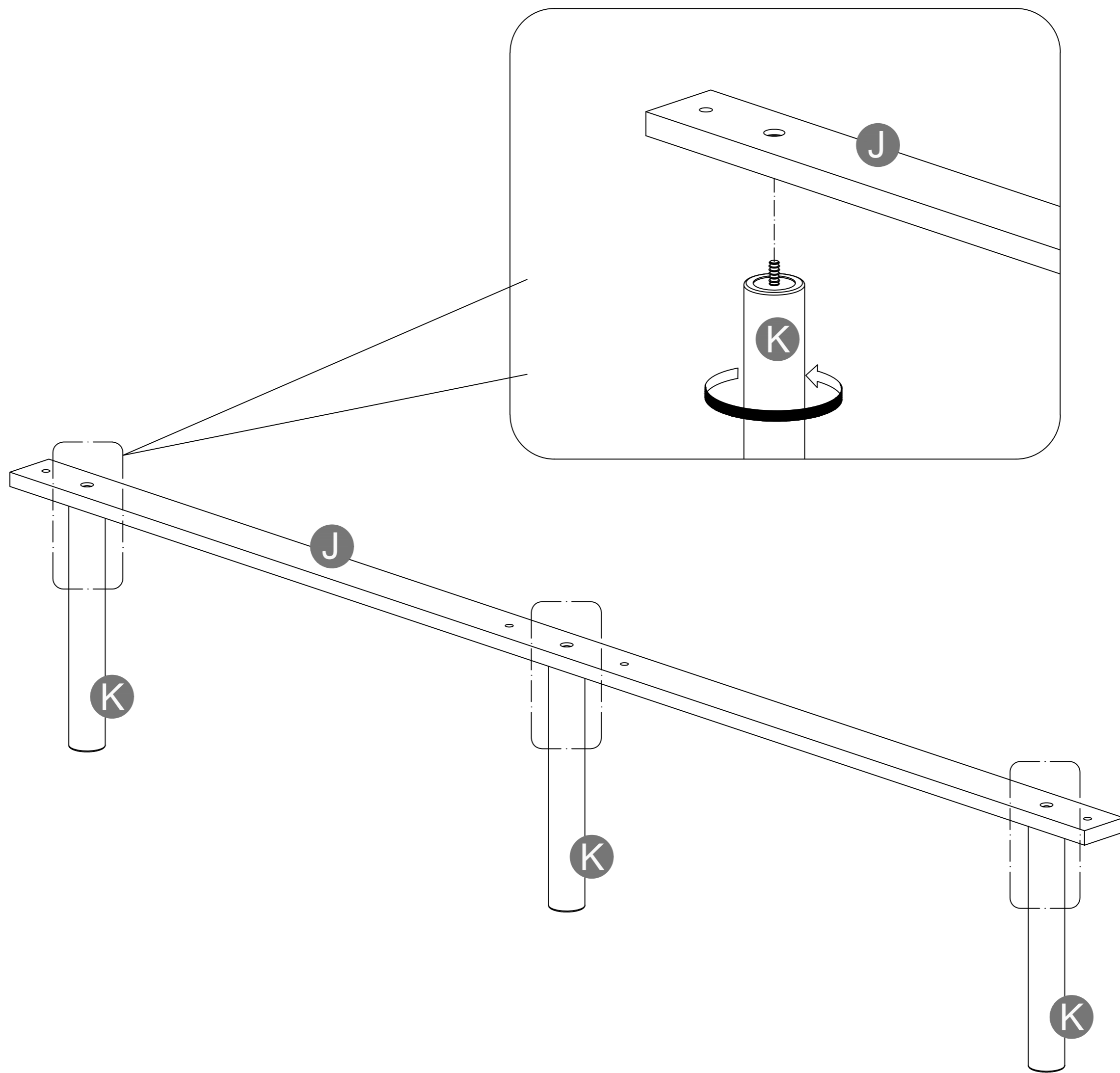
STEP 3:



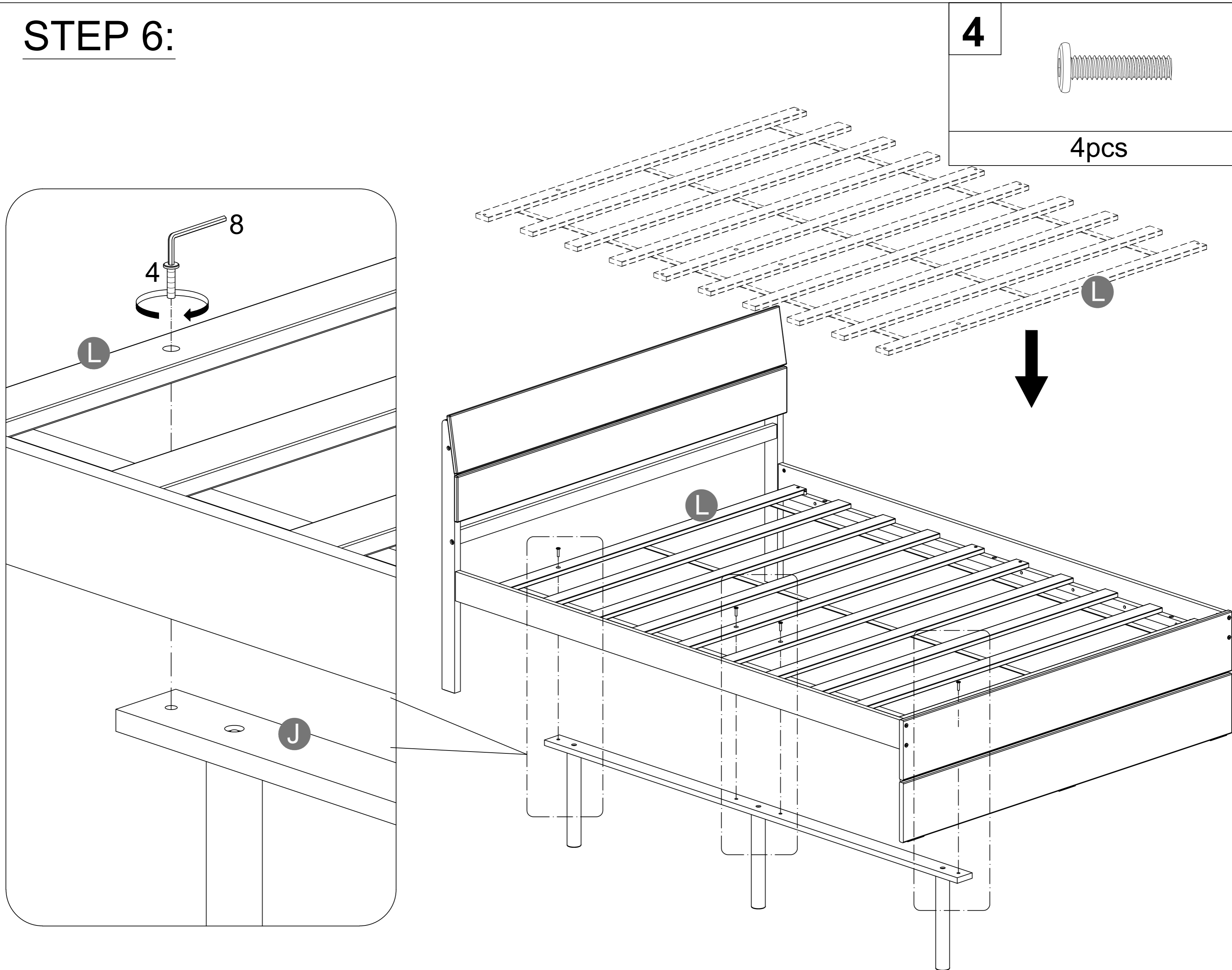
STEP 4:



STEP 5:

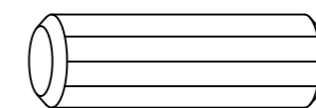


STEP 6:



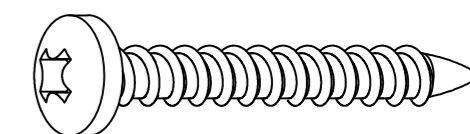
STEP 7:

6

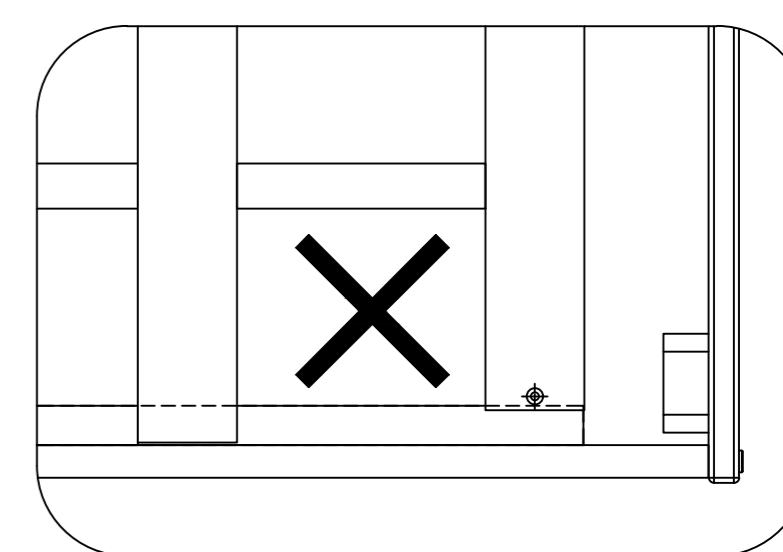
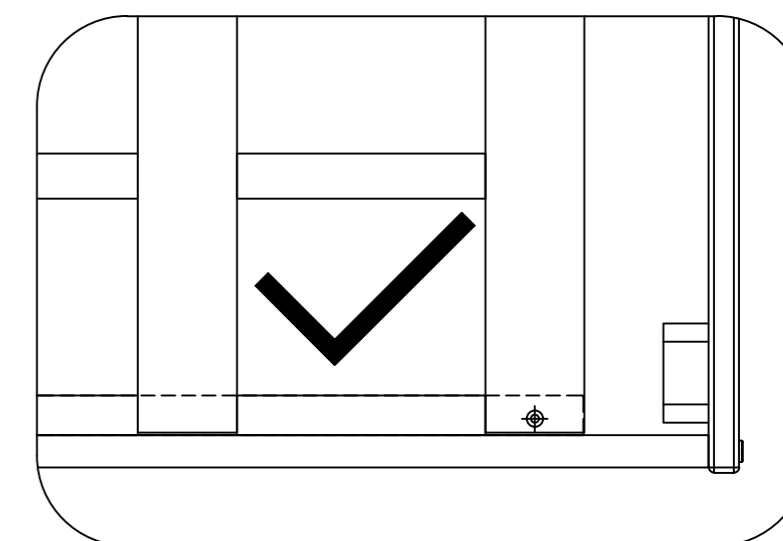
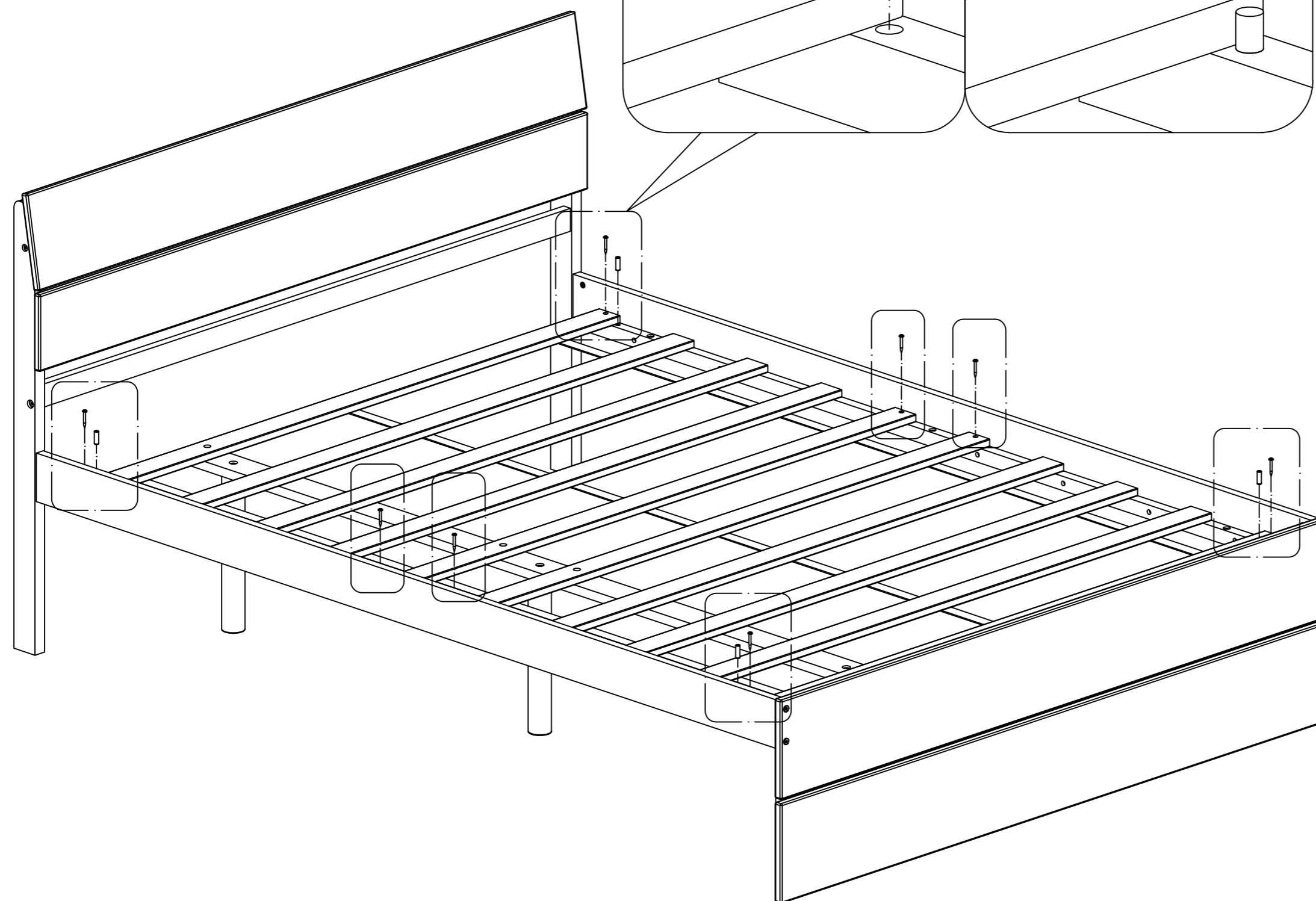
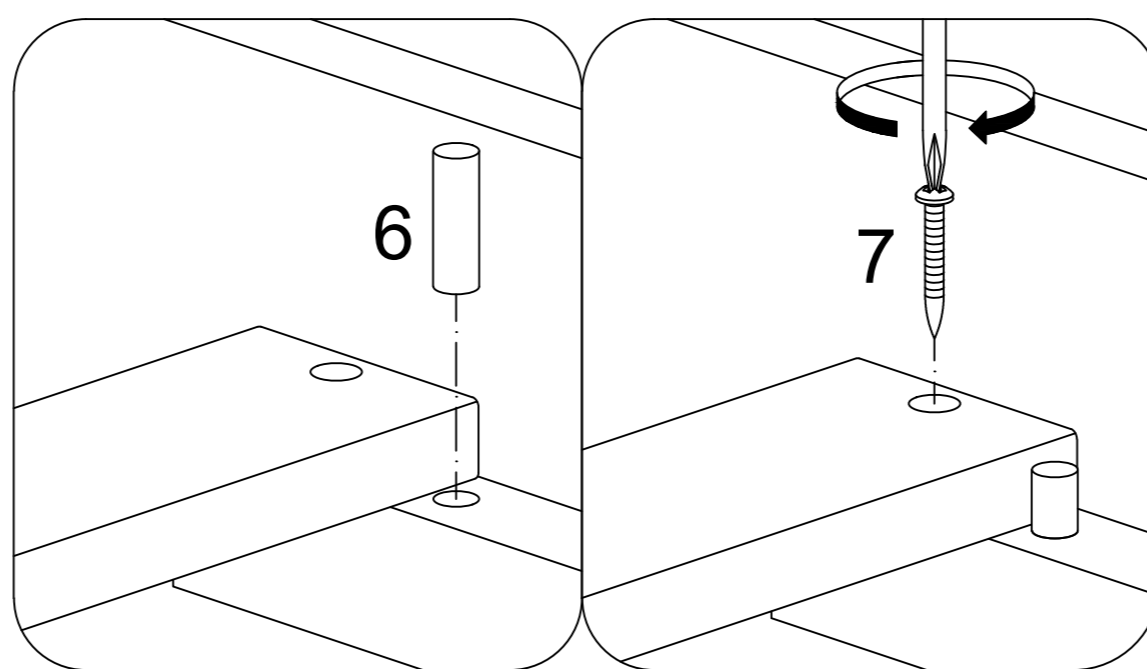


4pcs

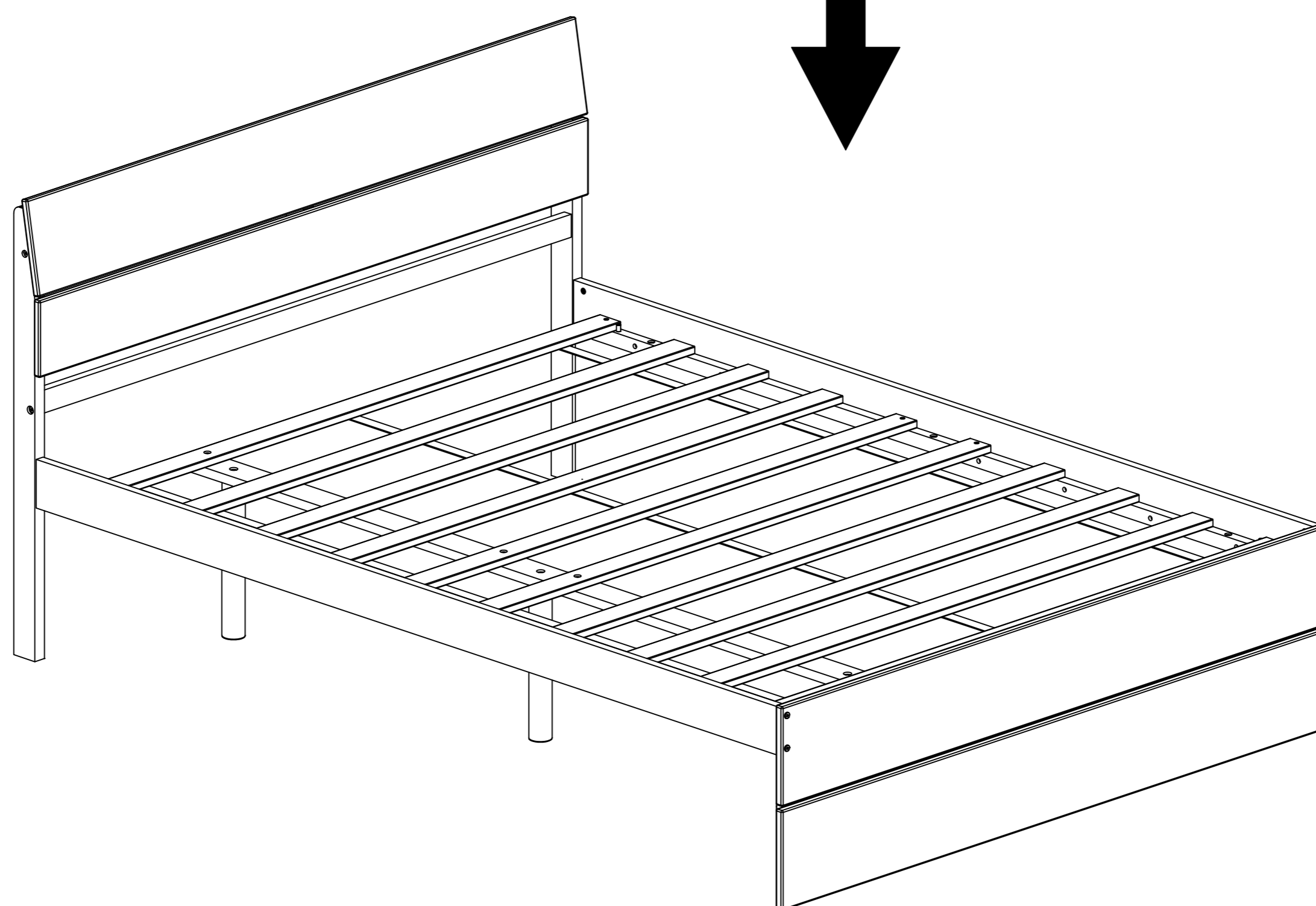
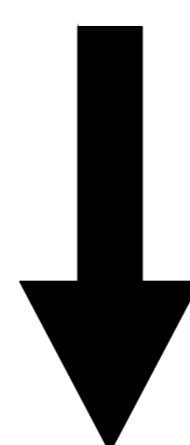
7



8 pcs



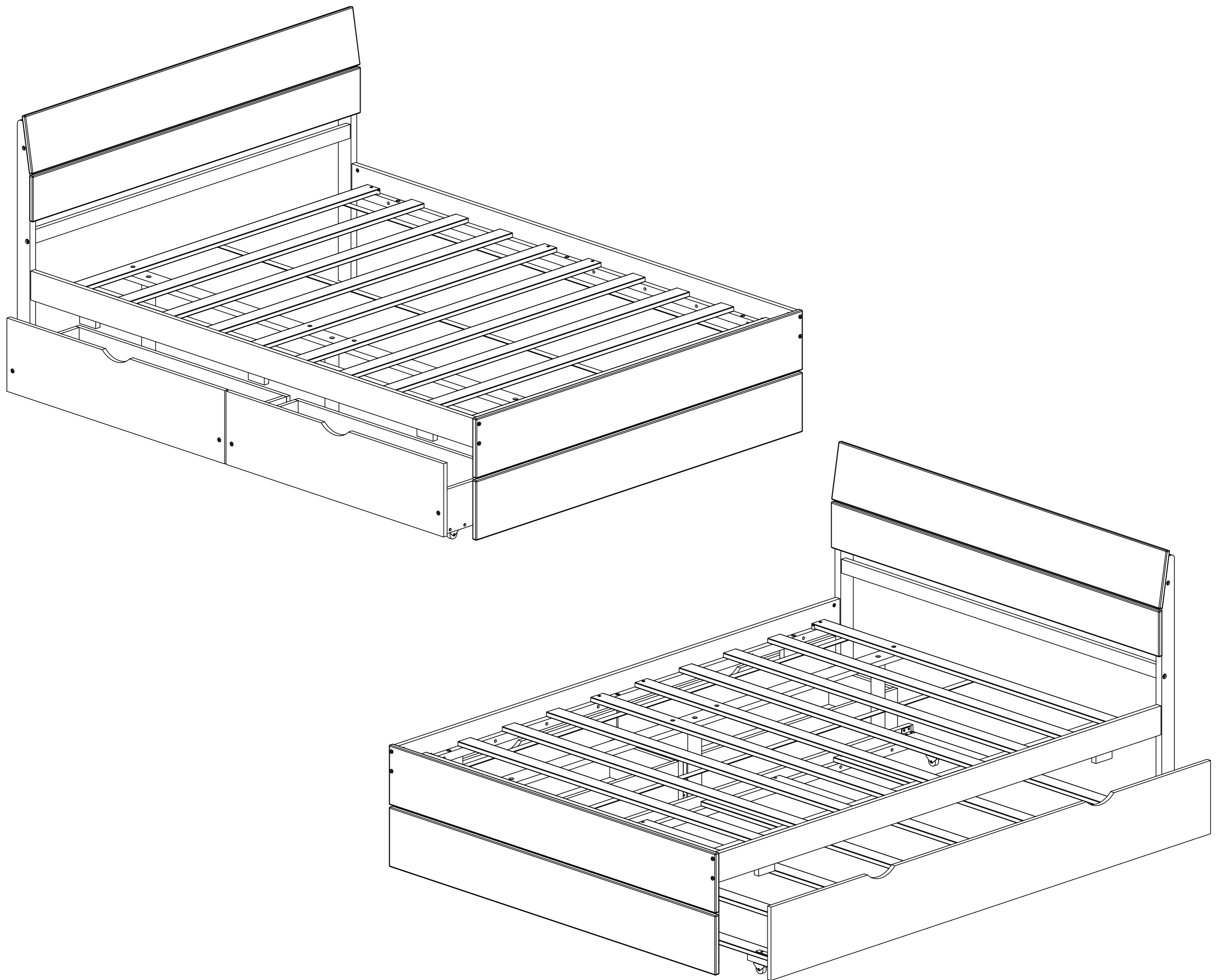
Note: Do not lock the screws of the bed slats to the outermost edge of the bed slats, you need to leave a certain space at the edges, otherwise it will cause the board to break. Do not lock the bed slats on the edge of the wood, please hold firmly before screwing, hold it in place with one hand, then lock the screw.



Make sure to tighten all the screws of the bed.

ASSEMBLY INSTRUCTIONS

High gloss full bed with trundle and 2 drawers



This set is included 2 boxes if don't receive full 2 boxes please contact our customer service team.