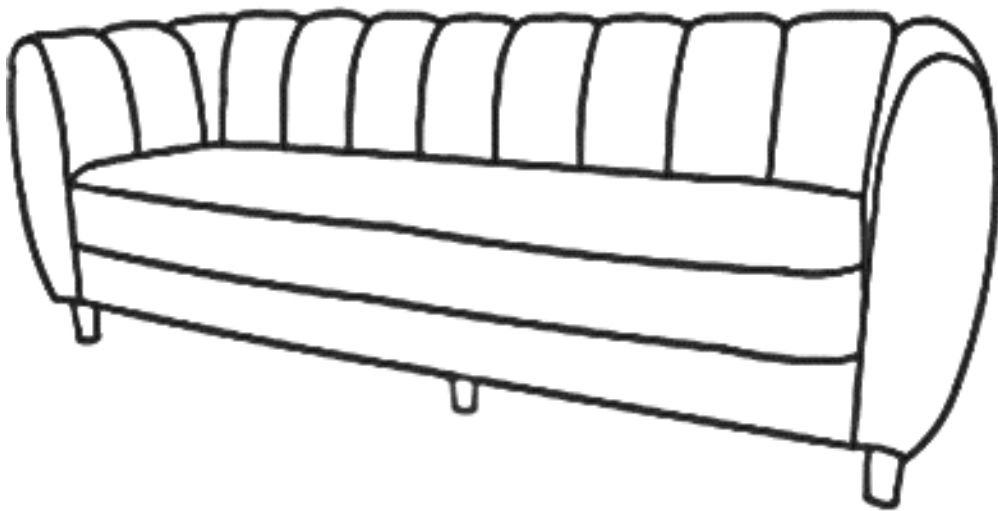


Assembly Instructions

Caution: You must read this before you proceed

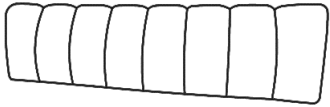
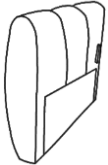


Please look in seat for hardware packs and legs.

Sofa










Parts List

Label	Picture	Description	QTY
A	A line drawing of a rectangular sofa base, which is a long, low-profile rectangular block with a slightly raised front edge.	Sofa Base	1

B		Sofa Backrest	1
C		Left Arm	1
D		Right Arm	1
E		Wooden Leg (with Plastic Gasket)	5

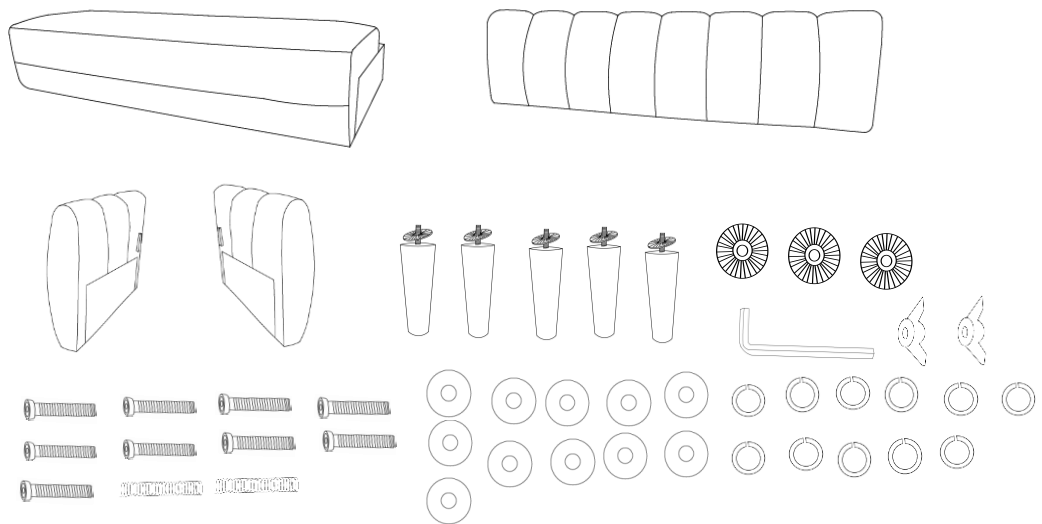
Hardware List

Label	Picture	Description	QTY
①		Plastic Gasket	3
②		Bolt (Metric Thread M8*70mm)	9
③		Washer	11

④		Spring Washer	11
⑤		Double-threaded Bolt (Metric Thread M8*100mm)	2
⑥		Wing Nut	2
⑦		Allen Key	1

Assembly Preparation

Before
Beginning
Assembly:



- Read instructions, cover to cover-



- Have 2 adults on hand for assembly-



- Do not assemble on flooring or carpet-



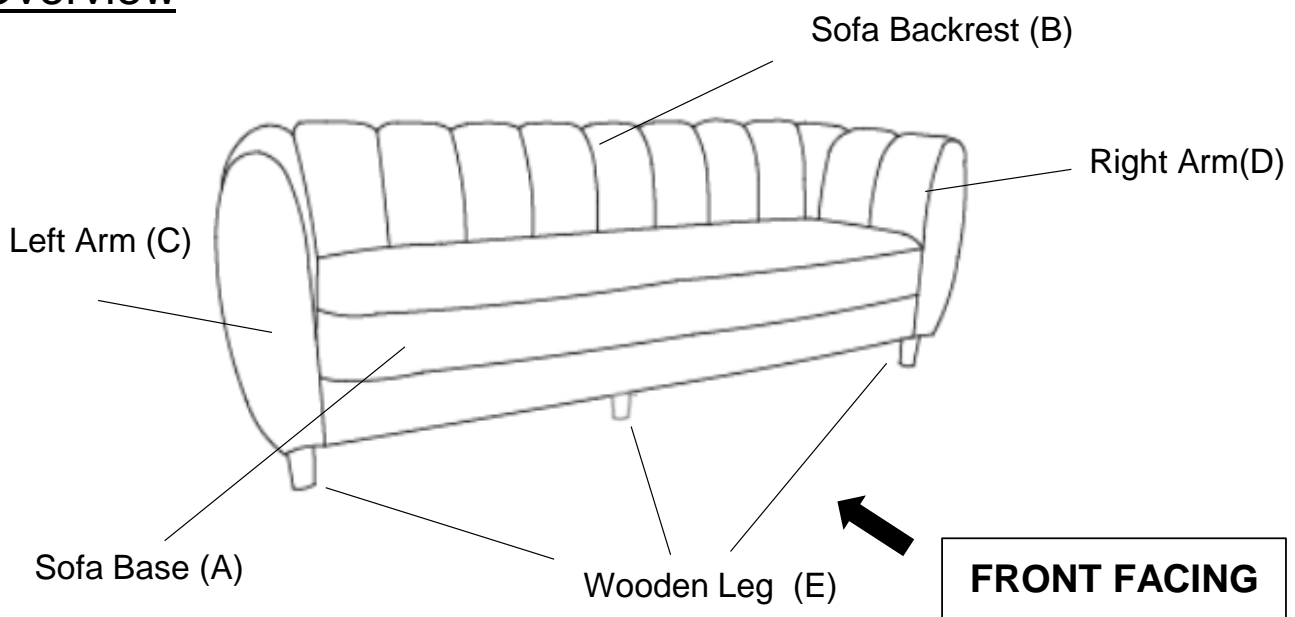
- Assemble on a clean non-marring surface (packing foam)-



- Save all packaging until finished-

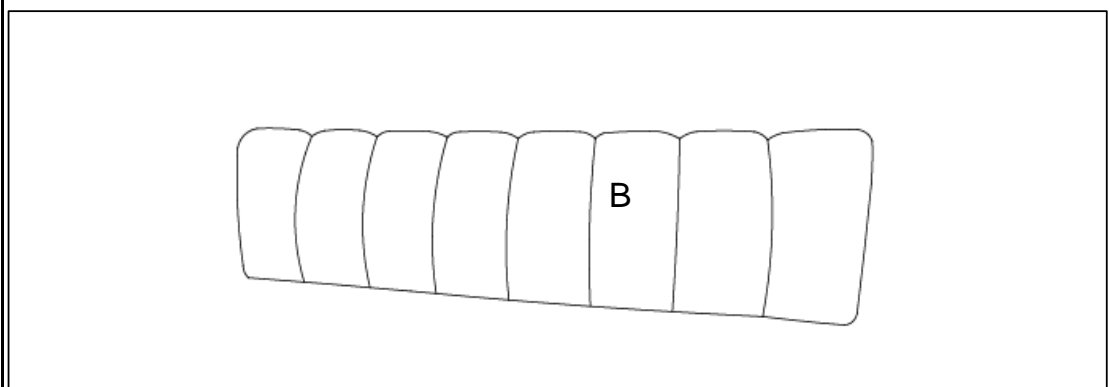
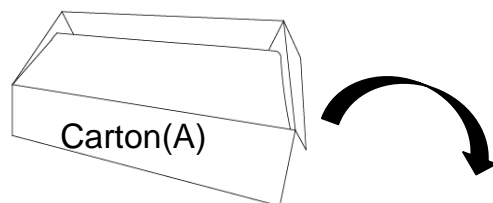
Assembly Steps

Overview



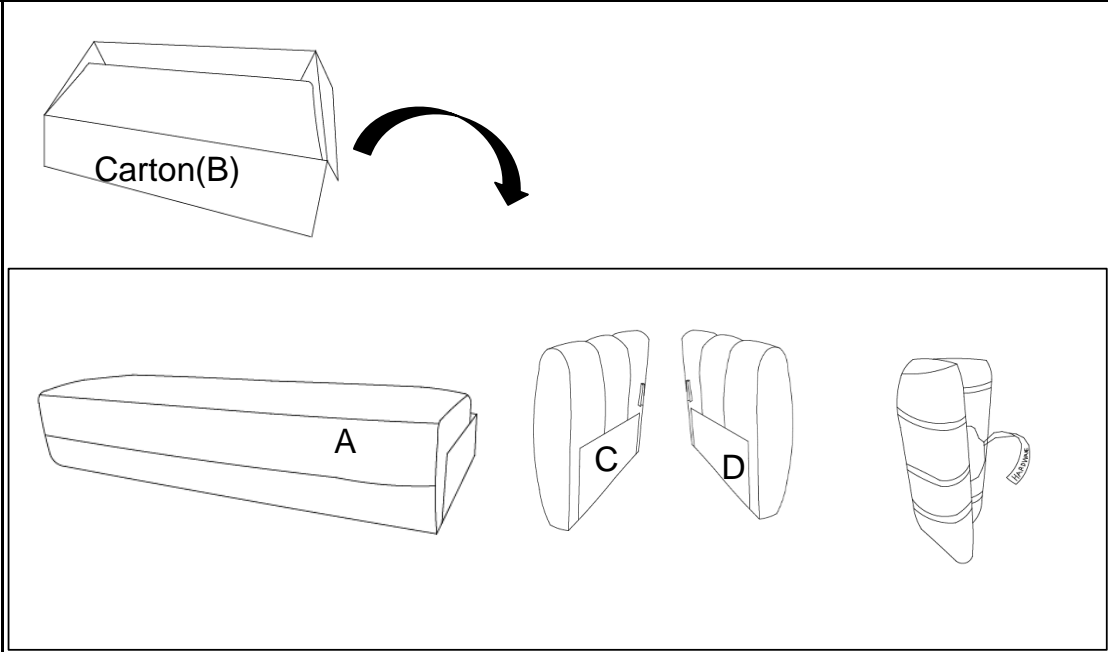
This Loveseat has multiple parts and may require about 30 minutes to assemble. To give you an overview of the Loveseat parts, the above picture is to help you put the various parts into perspective. Please read through the instructions below to familiarise yourself with the parts and steps before assembly.

Step 1



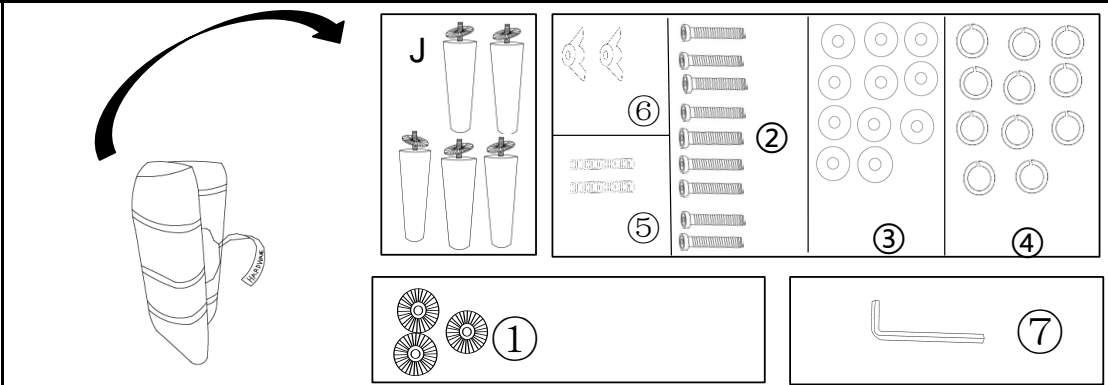
Take out the Backrest(B) from the Carton "A", place them on a clean, non-marring surface.

Step 2



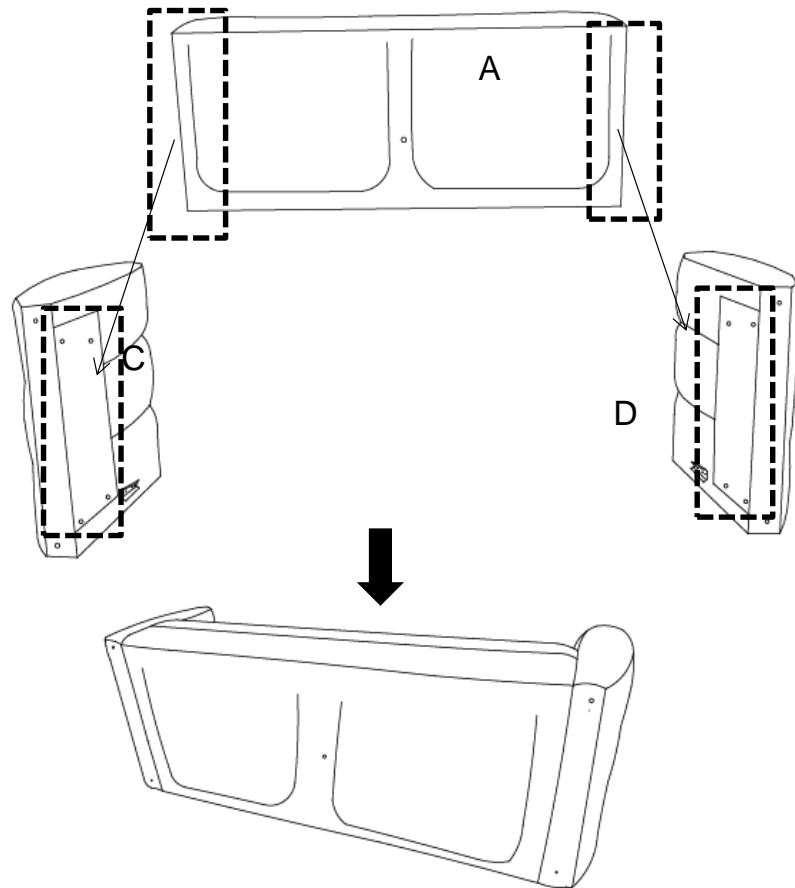
Take the Sofa Base(A), Left Arm (C), Right Arm(D) and bag out from the carton "B" and place them on a clean, non-marring surface.

Step 3



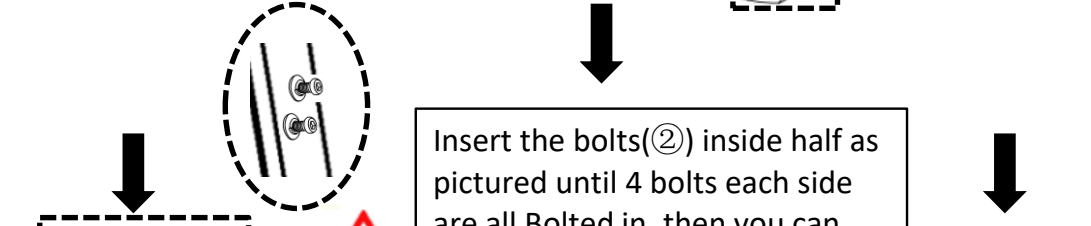
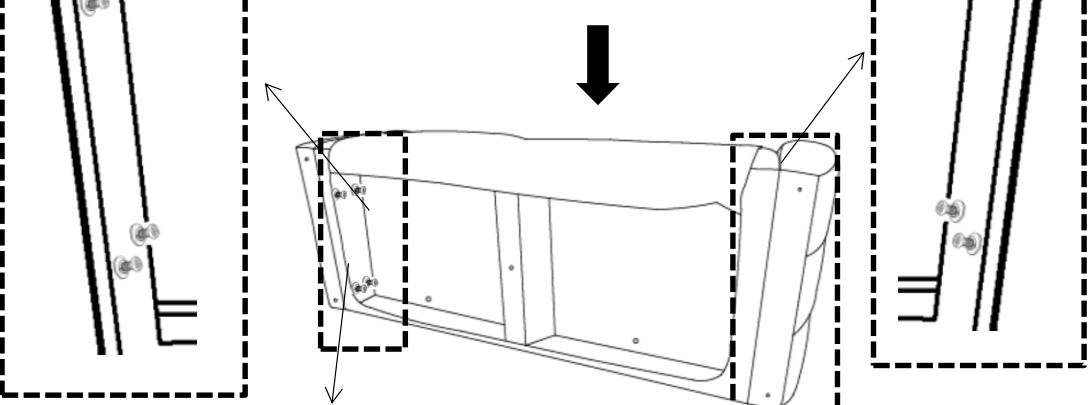
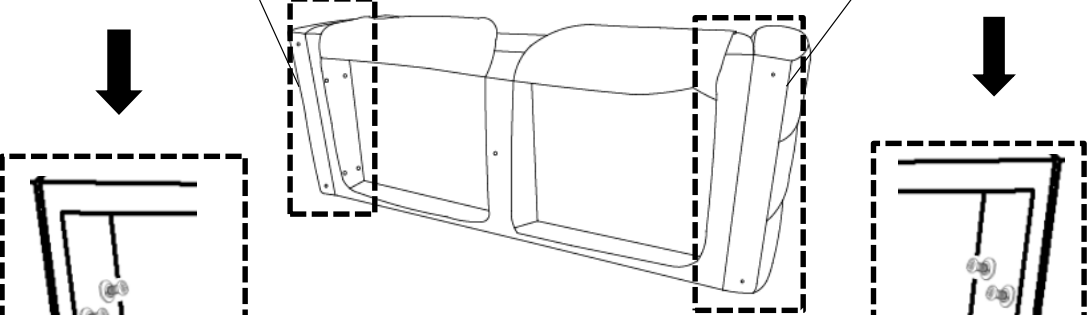
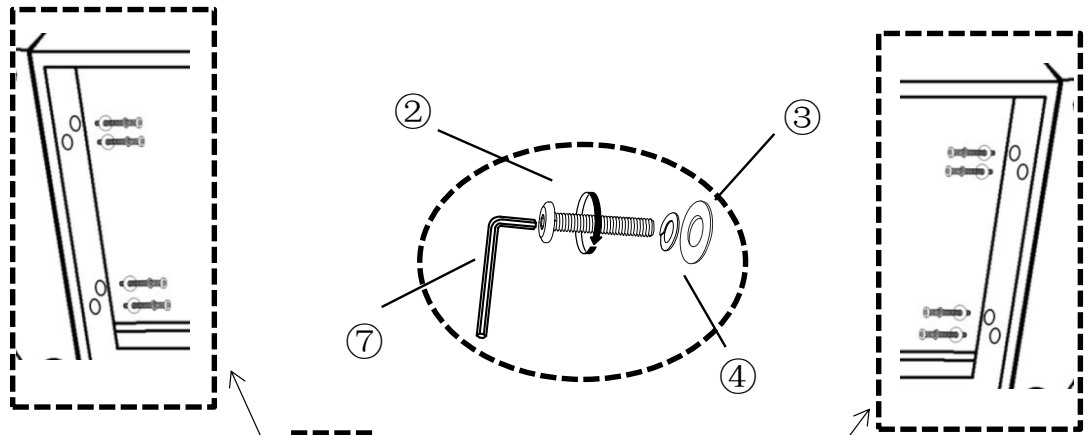
Open the Bag to take out the Wooden Legs(E) and Hardwares.

Step 4

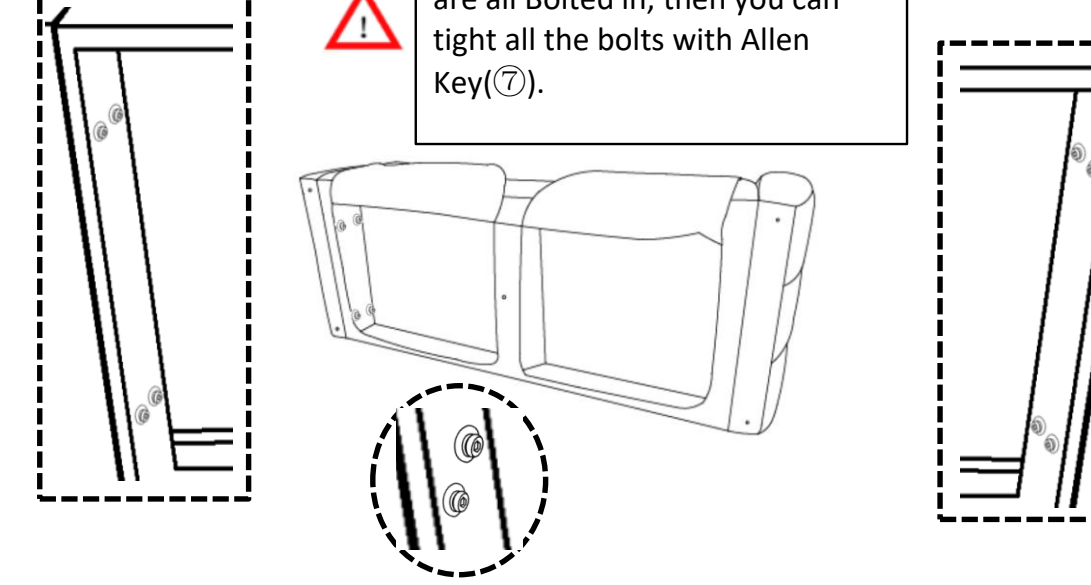


With assistance from your adult partner, put the Sofa Base (A) between the Left Arm(C) and Right Arm(D) as a whole as picture, Align the bolts holes on the both side of Sofa Base(A) with those on the Left Arm(C) ,Right Arm(D).

Step 5



Insert the bolts(2) inside half as pictured until 4 bolts each side are all Bolted in, then you can tight all the bolts with Allen Key(7).

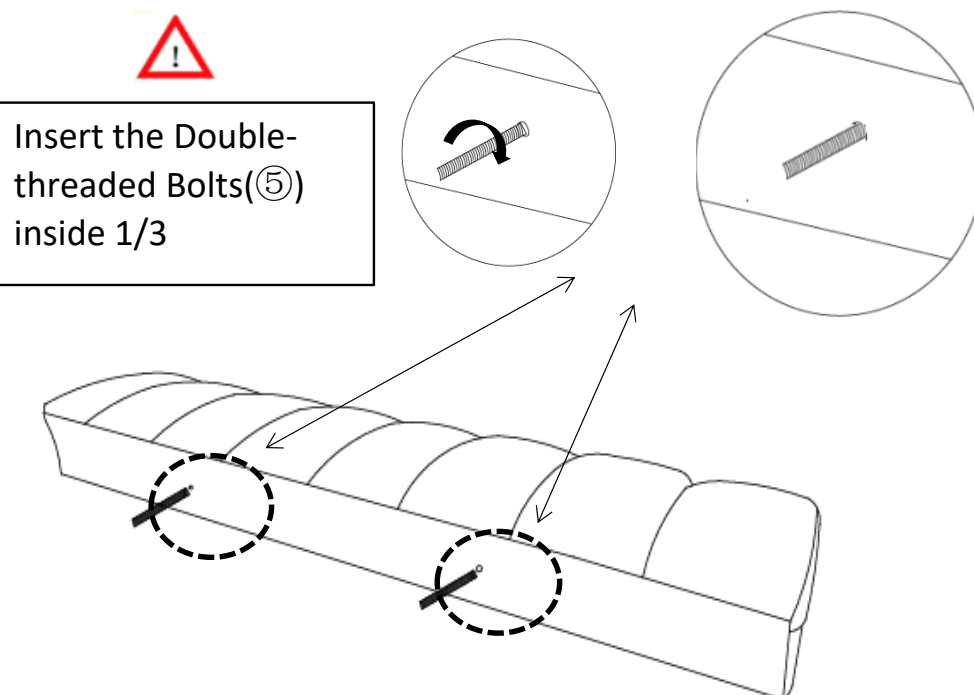


With assistance from your adult partner, place the whole product on a clean, non-marring surface. Open the back non-woven cover under Sofa Base(A). Then attach using Bolts(②), Spring Washers(④) and Washer(③) with Allen Key(⑦) by hand or Allen Key(⑦) .

Pls don't tighten the Bolts and just to be bolted half-way until all bolted in, then tighten all the Bolts with Allen Key(⑦).

Note: The bottom of the Sofa Base(A) frame must be aligned with the bottom of the handrail

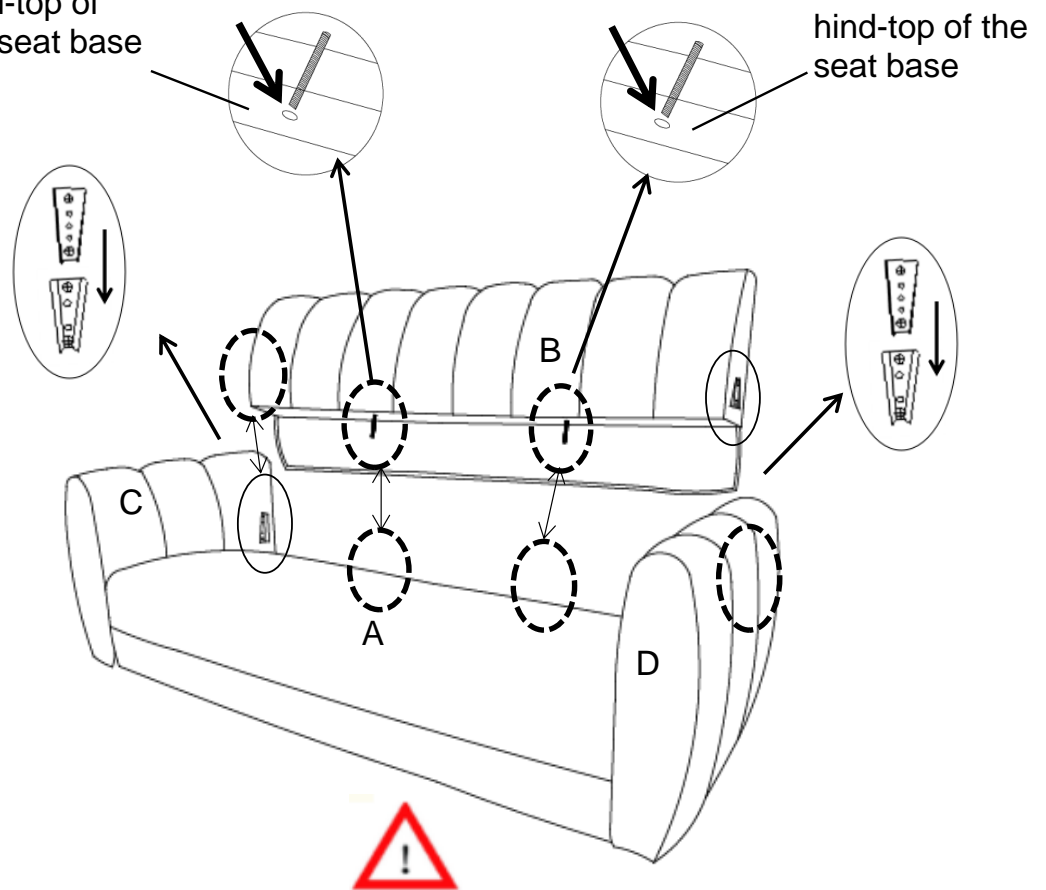
Step 6



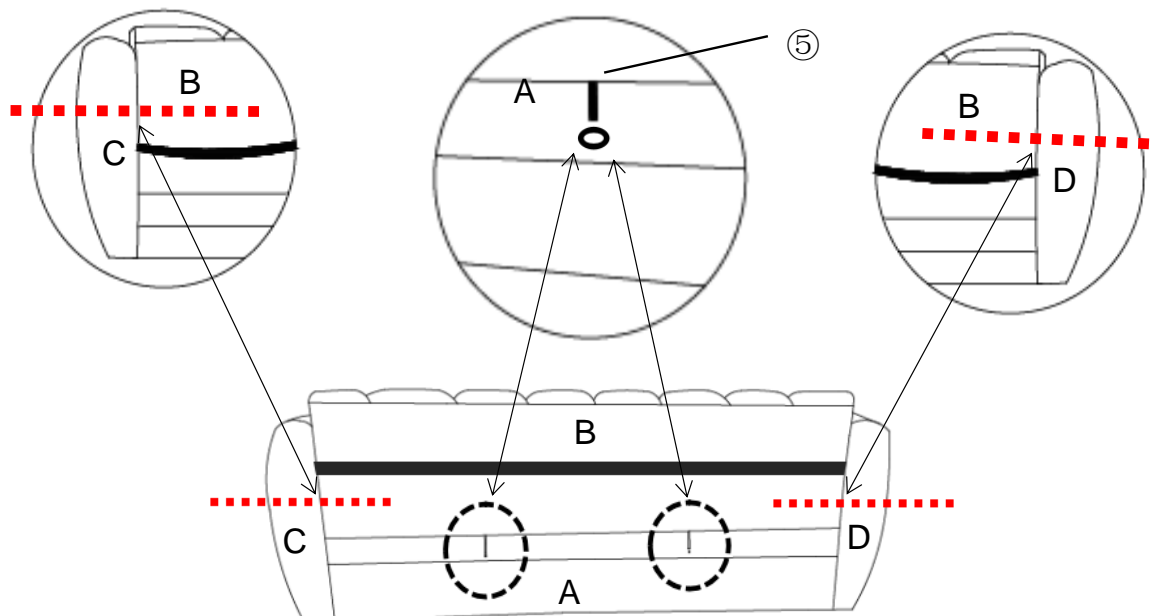
You will see two mounting positions on the bottom of Backrest(B), Insert the Double-threaded Bolts(⑤) into mounting positions and turn clockwise by hand until 1/3 inside(can't totally inside).

Step 7

hind-top of the seat base

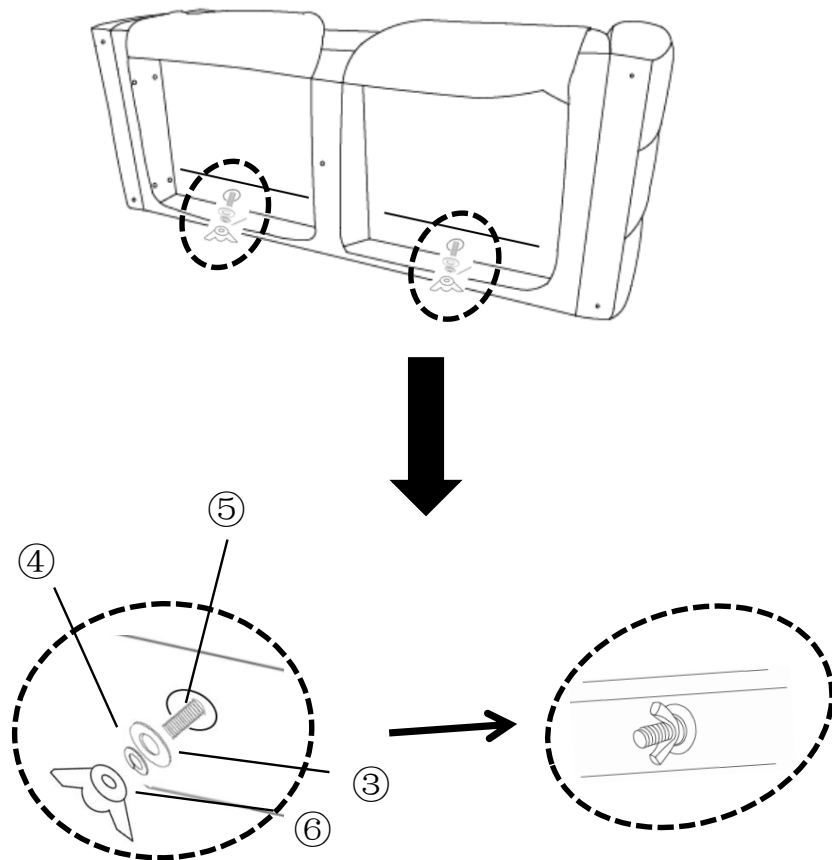


Especially Remind(very important!): You need to push the Backrest(B) with your hand and make sure the back side of Left Arm(C),Right Arm(D) and Backrest(B) on same plane when you pushing down the Backrest(B) to connect the both arms(C&D) with mounting brackets, meanwhile you need to see and make sure the Double-threaded Bolts(⑤) just on the top of the mounting positions and can insert into the both mounting positions .



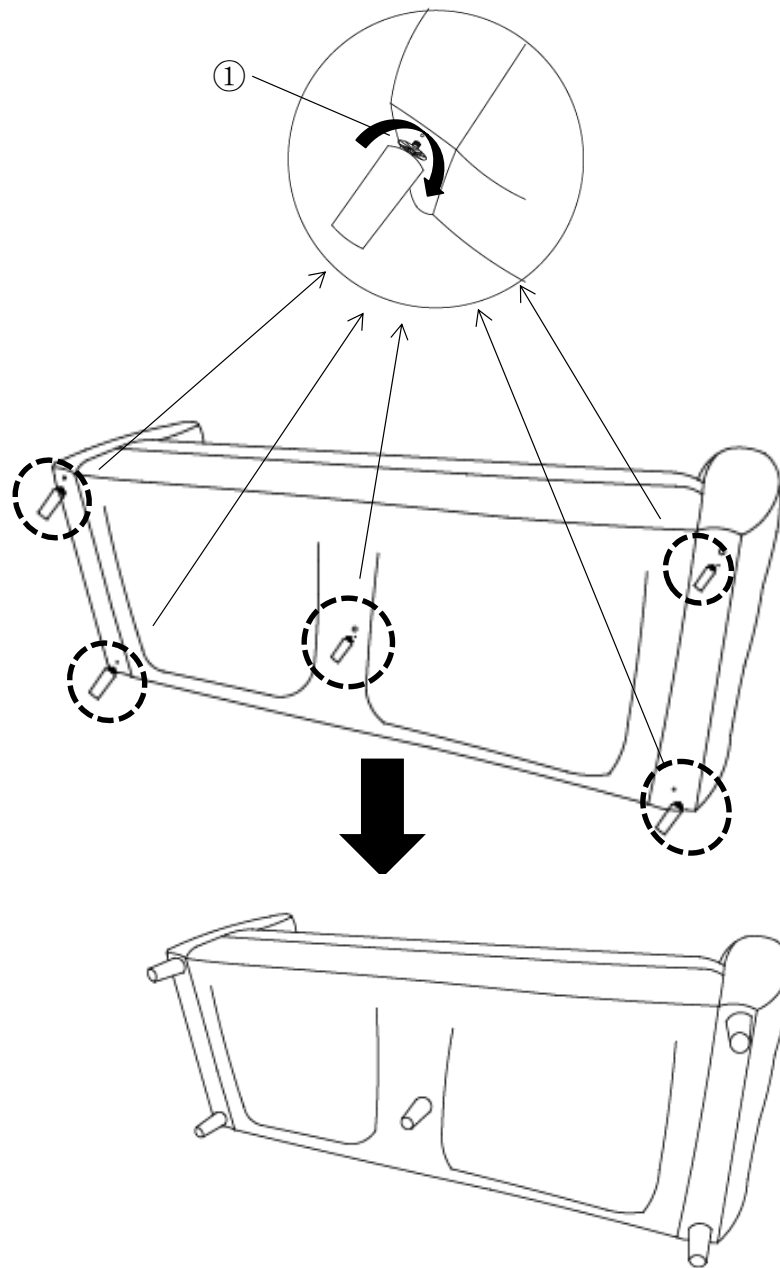
With assistance from your adult partner, hold-up the Sofa Backrest(B) while standing beside the Left Arm(C) and Right Arm(D).
Align the mounting brackets on both sides of the Sofa Backrest(B) with the mounting brackets on the Left Arm(C) and Right Arm(D) and meanwhile align the Double-threaded Bolts(⑤) to the both mounting positions at the hind-top of Sofa Base(A).
Then slide the Sofa Backrest(B) down by hand to make sure it locks in place as shown.

Step 8



Position the rear side of the whole sofa on a clean, non-marring surface, place Washer Rings(③) and Spring Washers(④) onto the Double-threaded Bolts(⑤), and secure using Wing Nut(⑥).
Tighten Wing Nuts fully by turning them clockwise by hand in a sequential manner.

Step 9

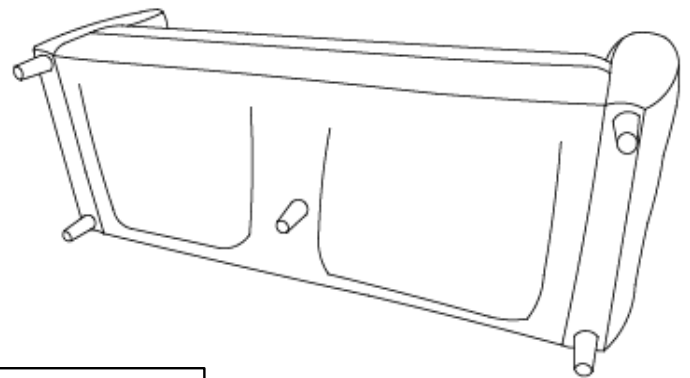


Install the Wood Legs(E) at the bottom of the Sofa by placing one Gasket(①) on the threaded stem.

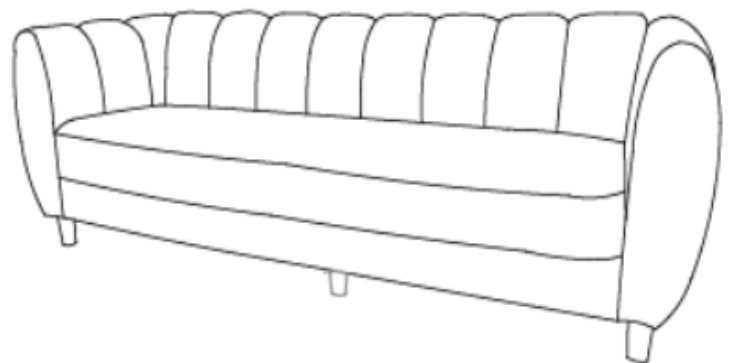
Tighten by turning the Leg clockwise.

Note: The use of Gaskets are OPTIONAL and are especially useful to help alleviate slight wobbleness. Some Legs may need more than one Gasket whilst some Legs may not need any.

Step 10










Don't turn the sofa directly, you need to lift the sofa up then put it down gently (in order to make sure the legs or legs support are not be damaged by incorrect operation).



Make sure all of the parts connected to the right position and strong enough. Now your Sofa is ready for use.

This Sofa can only be used on a flat, level surface.

Care & Maintenance

-  Do not put hot items directly on furniture surface
 -  Do not clean furniture with harsh cleansers or polish.
 -  Do not place furniture under direct sunlight.
 -  Do not place furniture near heating or cooling vents.
 -  Do not write on furniture without a padded barrier to protect the surface.
 -  Do not place furniture outside . For indoor use only .
 -  Not for commercial use. For residential use only .
 -  Stains may be removed with mild soap solution and damp cloth.
 -  Children should not climb or jump on the furniture.
-
-  Dust and pick-up spills using a clean, non-colored, lint-free cloth .

Questions & Answers about Proposition 65

• What is Proposition 65?

Proposition 65 requires businesses to provide warnings to Californians about significant exposures to chemicals that cause cancer, birth defects or other reproductive harm. These chemicals can be in the products that Californians purchase, in their homes or workplaces, or that are released into the environment. By requiring that this information be provided, Proposition 65 enables Californians to make informed decisions about their exposures to these chemicals.

Proposition 65 also prohibits California businesses from knowingly discharging significant amounts of listed chemicals into sources of drinking water.

Proposition 65 requires California to publish a list of chemicals known to cause cancer, birth defects or other reproductive harm. This list, which must be updated at least once a year, has grown to include approximately 900 chemicals since it was first published in 1987.

• What types of chemicals are on the Proposition 65 list?

The list contains a wide range of naturally occurring and synthetic chemicals that include additives or ingredients in pesticides, common household products, food, drugs, dyes, or solvents. Listed chemicals may also be used in manufacturing and construction, or they may be byproducts of chemical processes, such as motor vehicle exhaust.

• What does a warning mean?

If a warning is placed on a product label or posted or distributed at a workplace, a business, or in rental housing, the business issuing the warning is aware or believes that it is exposing individuals to one or more listed chemicals.

By law, a warning must be given for listed chemicals unless the exposure is low enough to pose no significant risk of cancer or is significantly below levels observed to cause birth defects or other reproductive harm.

• Where can I get more information on Proposition 65?

If you have specific questions on the administration or implementation of Proposition 65, you can contact OEHHA's Proposition 65 program at P65.Questions@oehha.ca.gov, or by phone at (916) 445-6900.