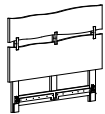
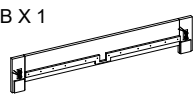


ASSEMBLY INSTRUCTIONS FOR BED

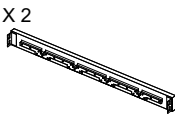
AX 1



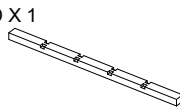
BX 1



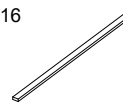
CX 2



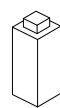
DX 1



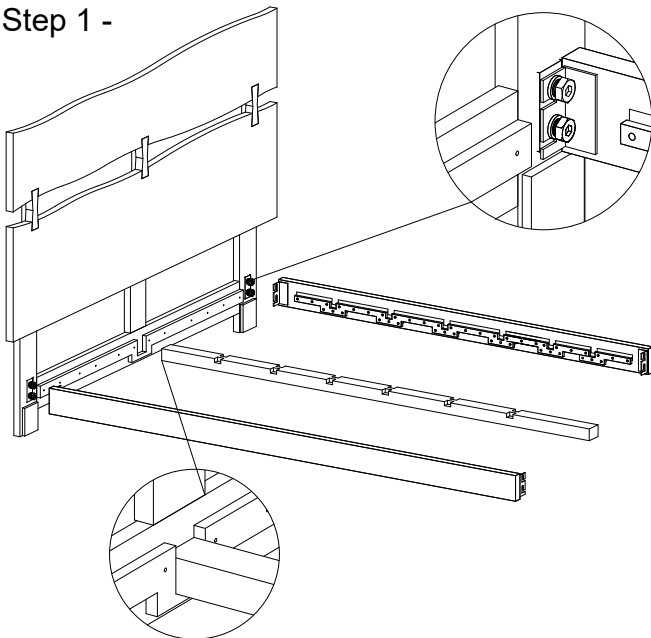
EX 16



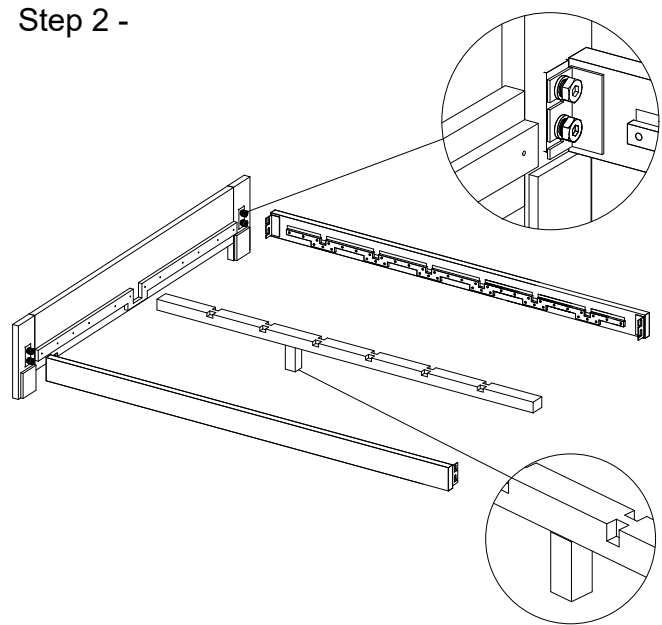
FX 1



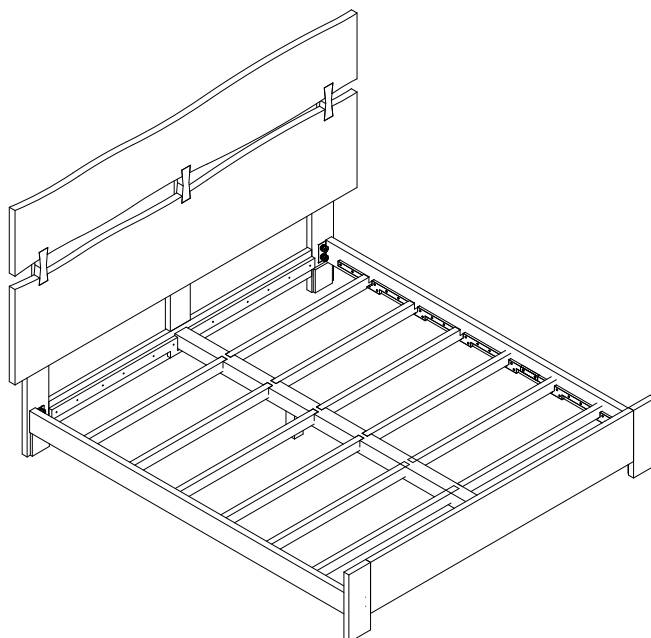
Step 1 -



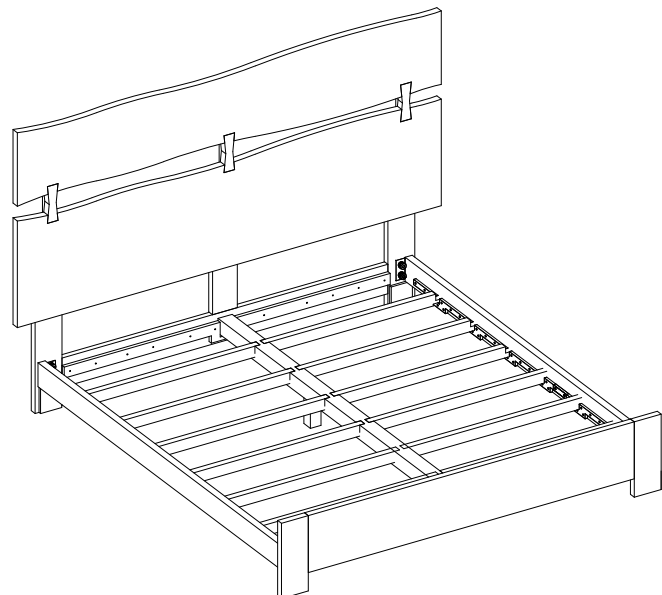
Step 2 -



Step 3 - Assemble all supports.



Step 4 - Your product is now ready for use.



Care Instructions

Wipe with a soft, dry cloth. To protect finish, avoid the use of chemicals and household cleaners. Any liquid spilled onto the table should be cleaned up immediately with a damp cloth. Avoid keeping the product in direct sunlight.