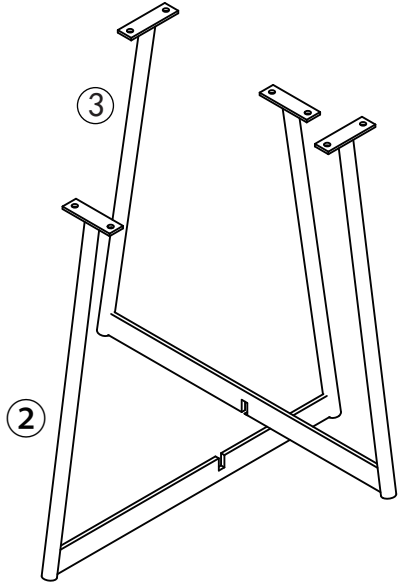
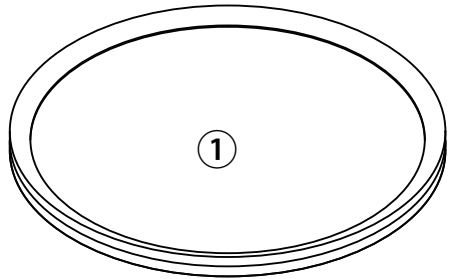
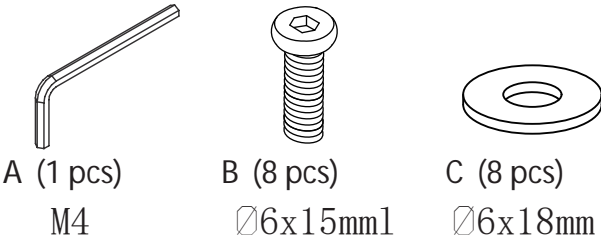
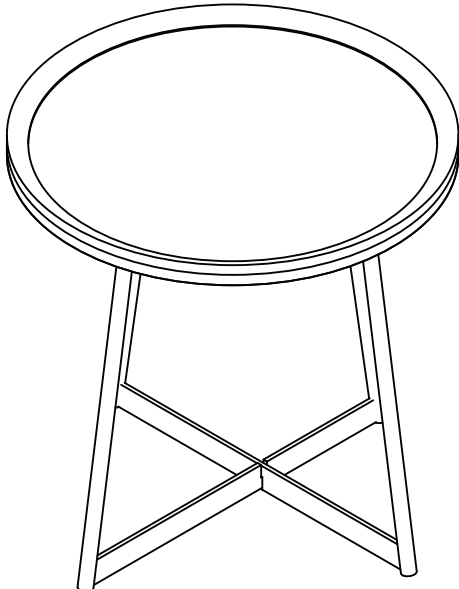


PLEASE NOTE: Check that you have received all components and hardware before assembling.

Assembly Instructions ROUND SIDE TABLE



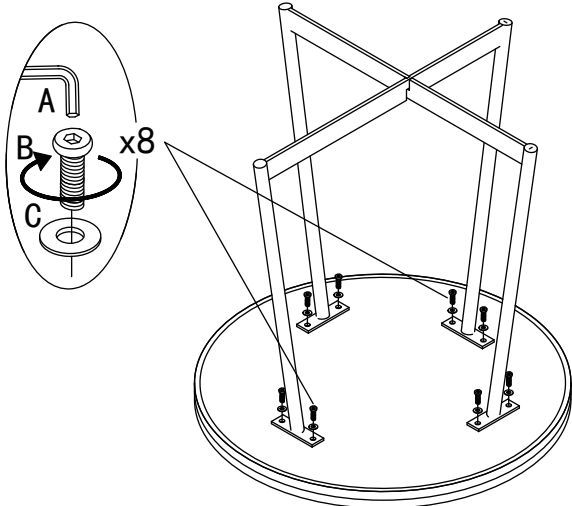
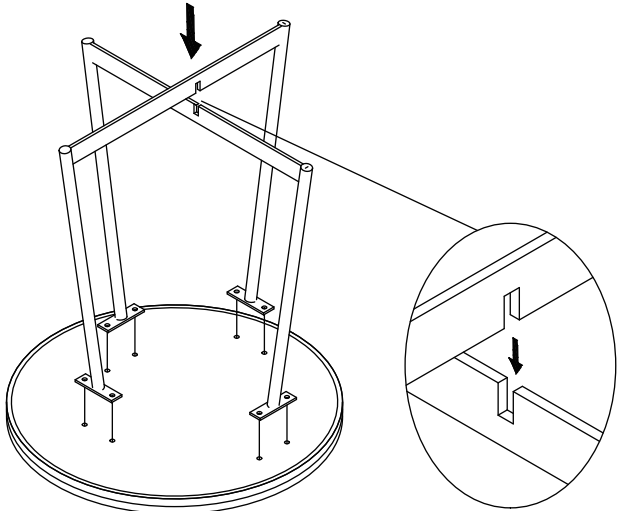
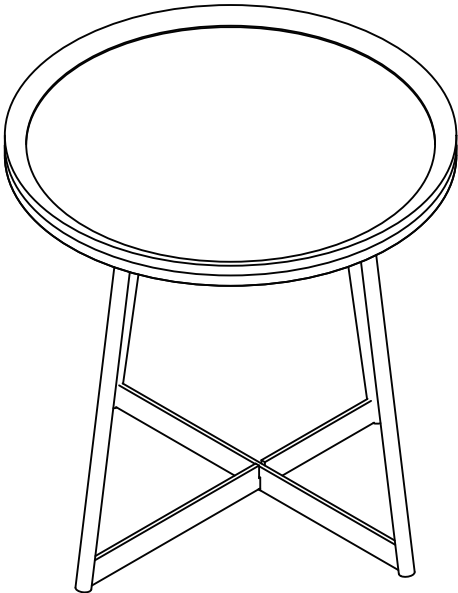
3

2

During assembly, hand tighten screws only. When the screws are in place, tighten completely.

PLEASE NOTE: Check that you have received all components and hardware before assembling.

Assembly Instructions ROUND SIDE TABLE



- A (1 pcs)
M4
- B (8 pcs)
Ø6x15mm
- C (8 pcs)
Ø6x18mm

During assembly, hand tighten screws only. When the screws are in place, tighten completely.