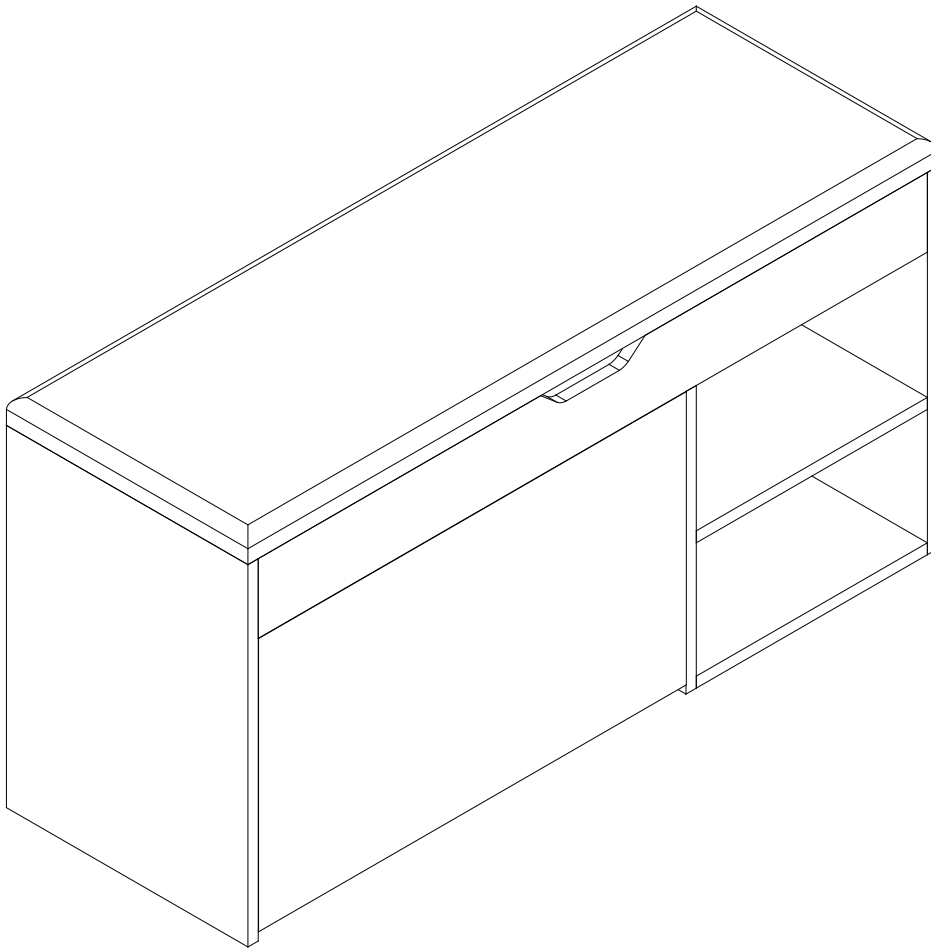


# ASSEMBLY INSTRUCTION

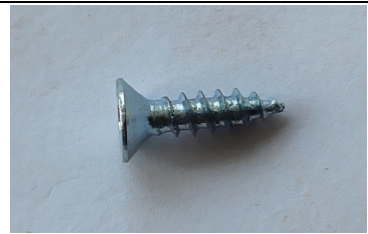




Ax31



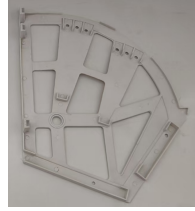
Bx31



Cx34



Dx1



Ex1



Fx3



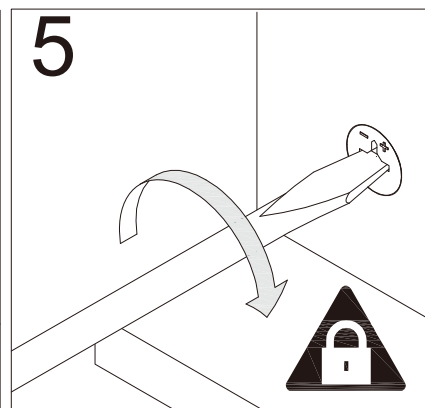
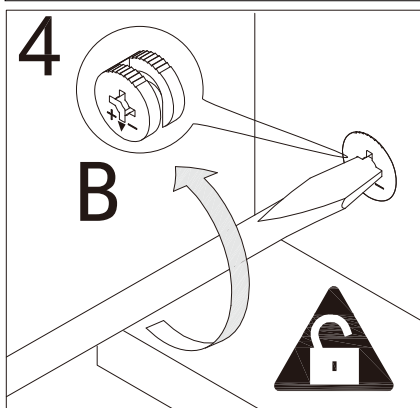
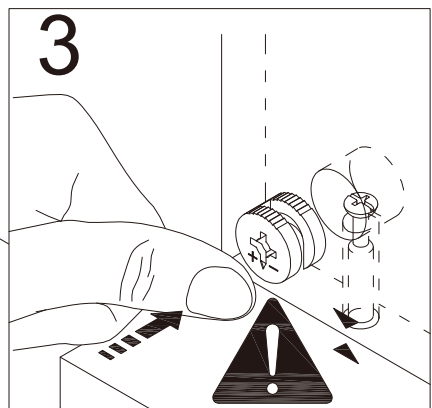
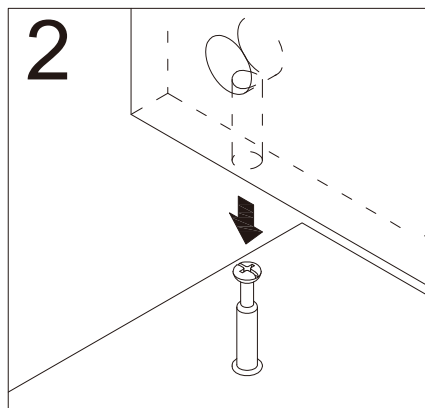
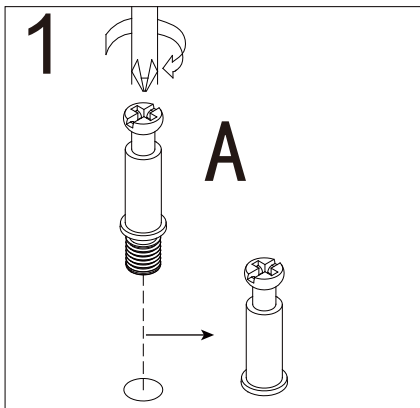
Gx2

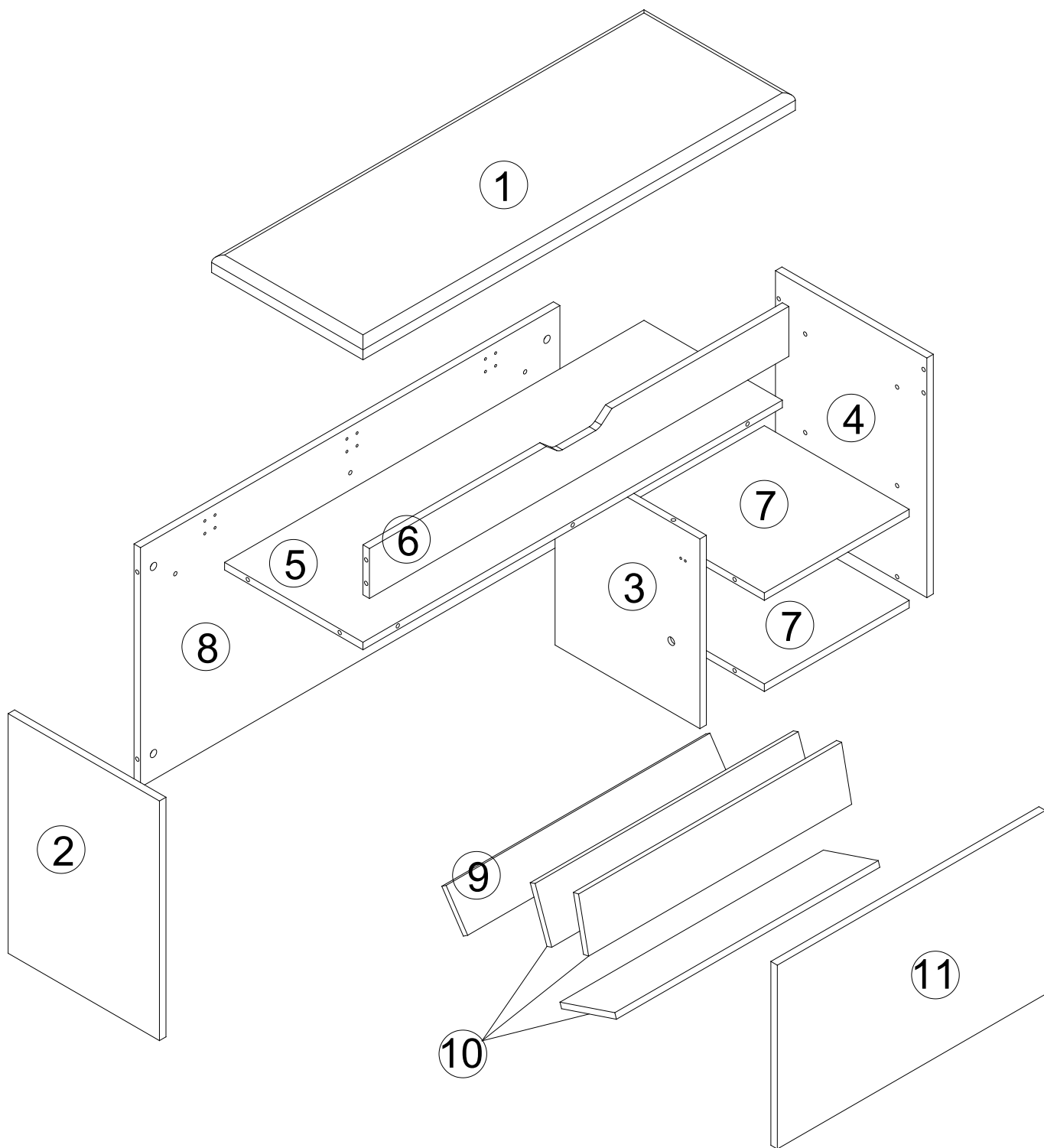


Hx2



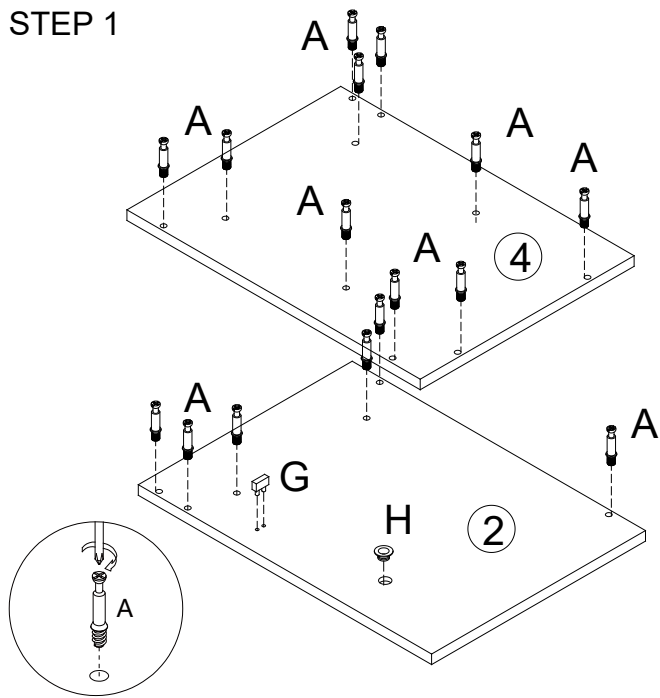
Jx2



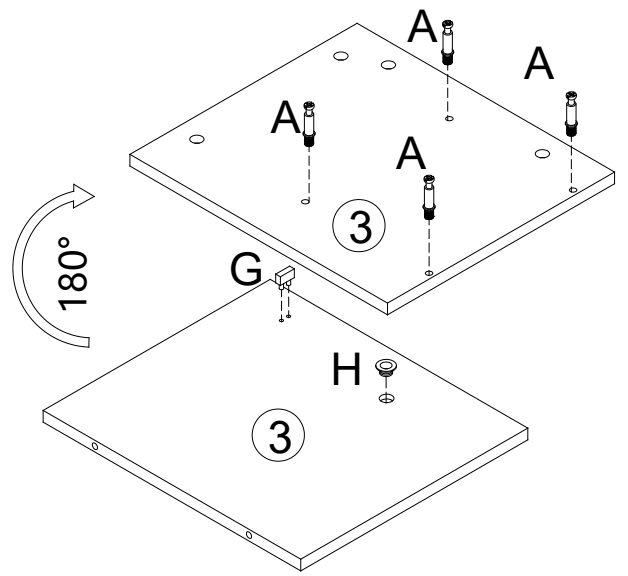


1 - x1	8 - x1
2 - x1	9 - x1
3 - x1	10 - x3
4 - x1	11 - x1
5 - x1	
6 - x1	
7 - x1	

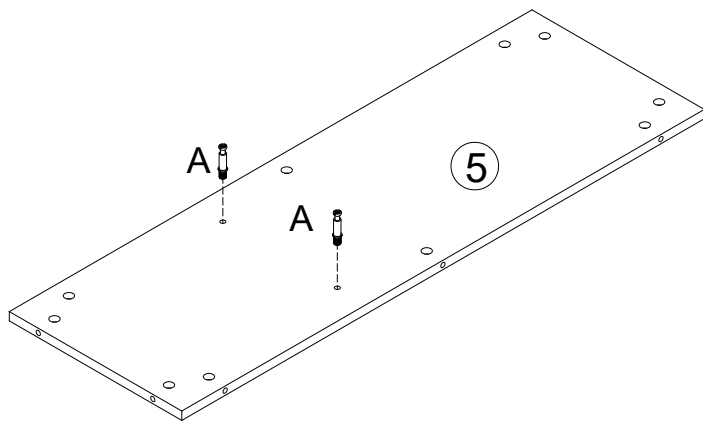
STEP 1



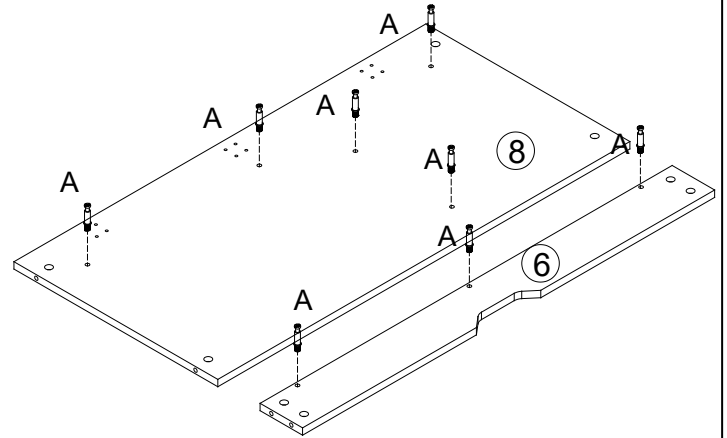
STEP 2



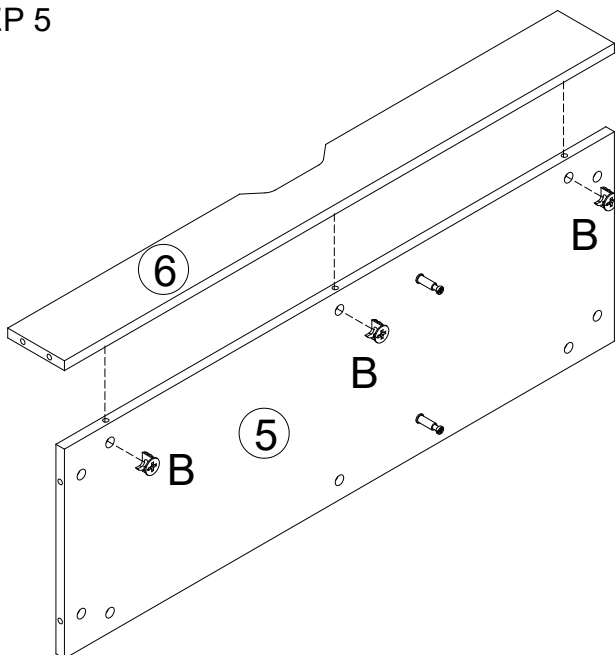
STEP 3



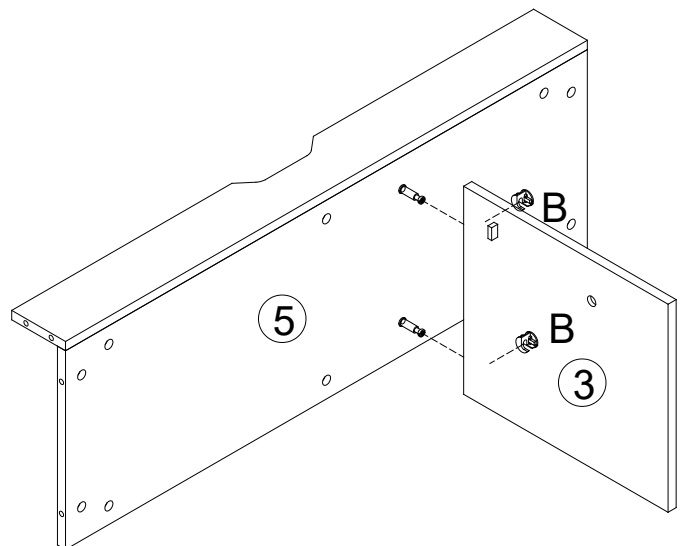
STEP 4



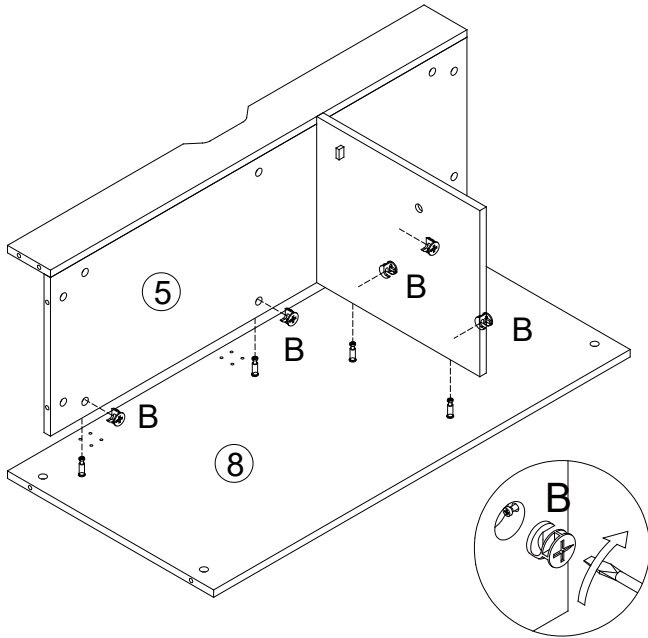
STEP 5



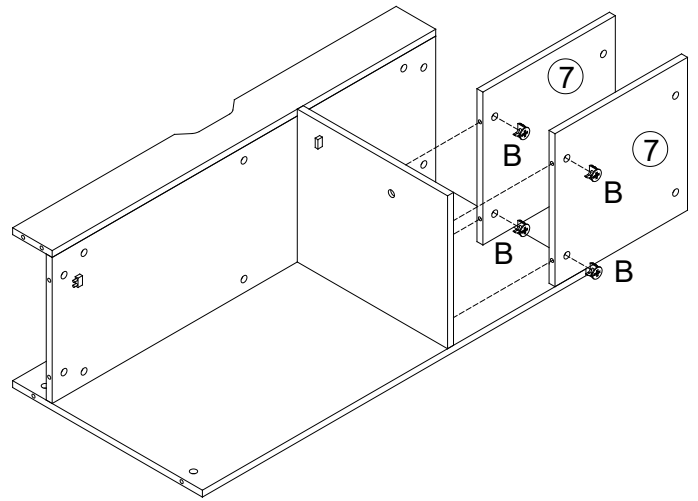
STEP 6



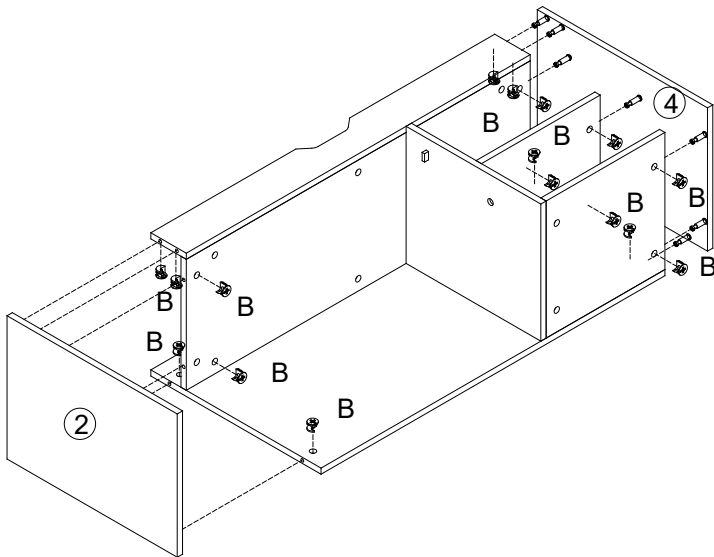
STEP 7



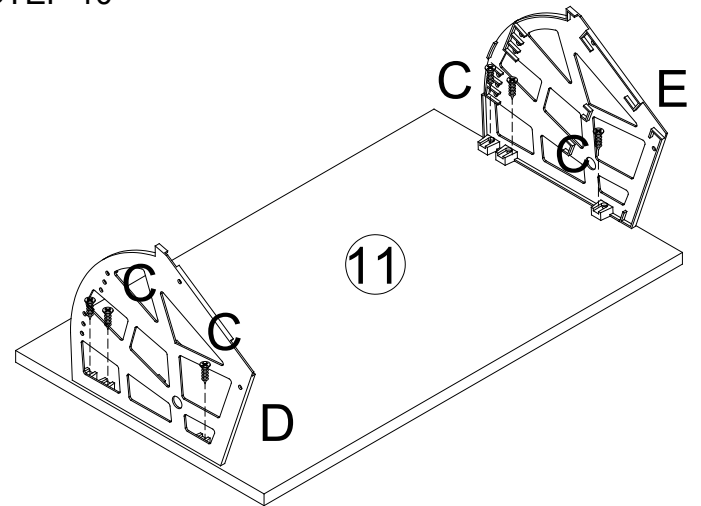
STEP 8



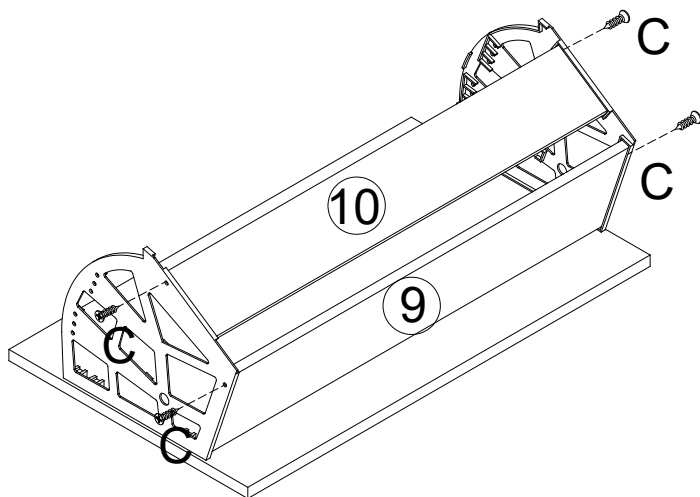
STEP 9



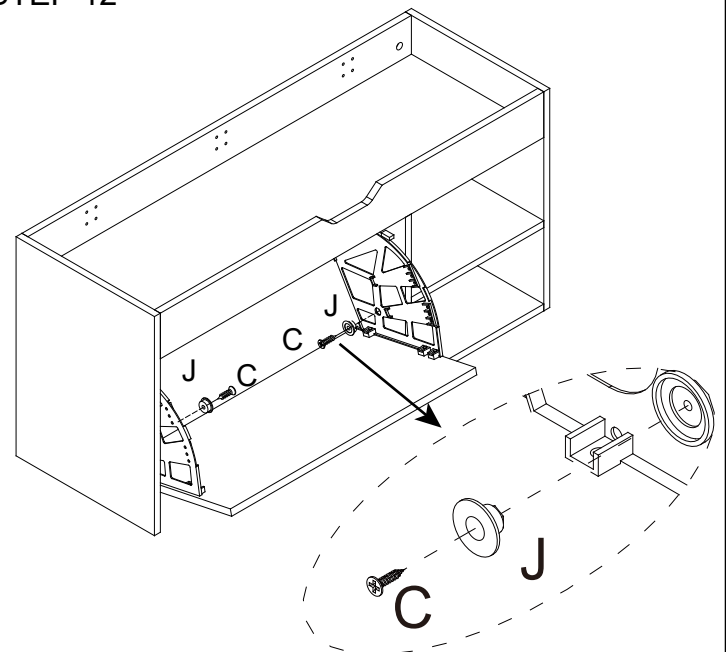
STEP 10



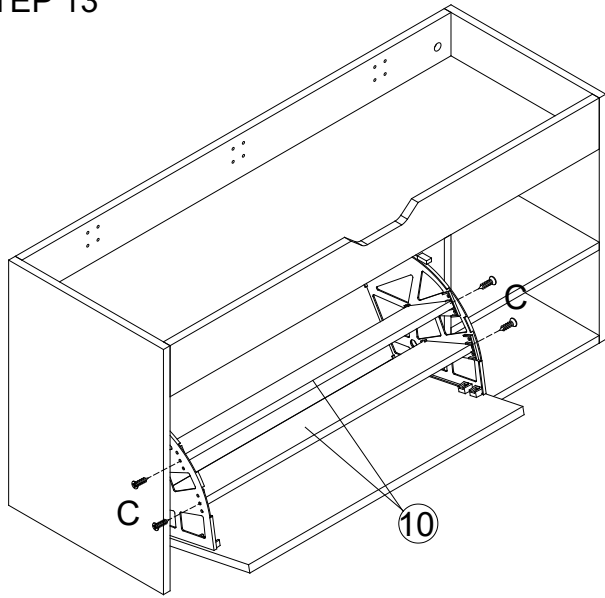
STEP 11



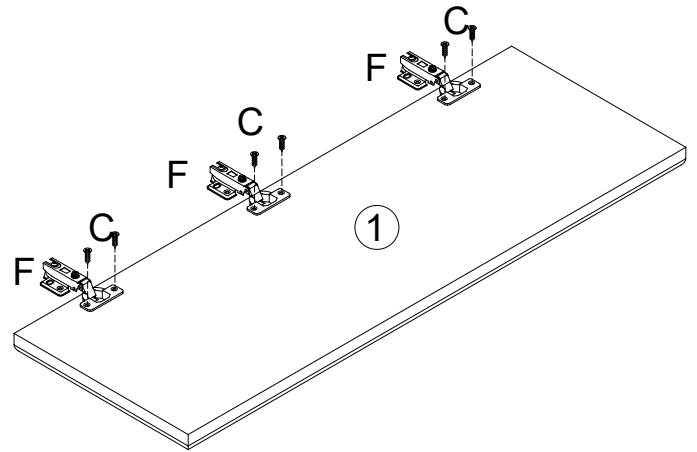
STEP 12



STEP 13



STEP 14



STEP 15

